



US00D362404S

United States Patent [19]

[11] Patent Number: **Des. 362,404**

Richardson et al.

[45] Date of Patent: **** Sep. 19, 1995**

[54] COMPRESSOR SHROUD

D. 352,720 11/1994 Gildersleeve et al. D15/7

[75] Inventors: **Russell D. Richardson; Rick G. Tatum**, both of Mooresville, N.C.

Primary Examiner—Ralf T. Seifert
Attorney, Agent, or Firm—Victor M. Genco, Jr.

[73] Assignee: **Ingersoll-Rand Company**, Woodcliff Lake, N.J.

[57] **CLAIM**

[**] Term: **14 Years**

The ornamental design for a compressor shroud, as shown and described.

[21] Appl. No.: **25,001**

DESCRIPTION

[22] Filed: **Jun. 24, 1994**

FIG. 1 is a top view of a compressor shroud showing the new design;

[52] U.S. Cl. **D15/7**

FIG. 2 is a front view thereof;

[58] Field of Search **D15/1-9.2;**

FIG. 3 is a rear view thereof;

415/200, 201, 213.1

FIG. 4 is a bottom view thereof; and,

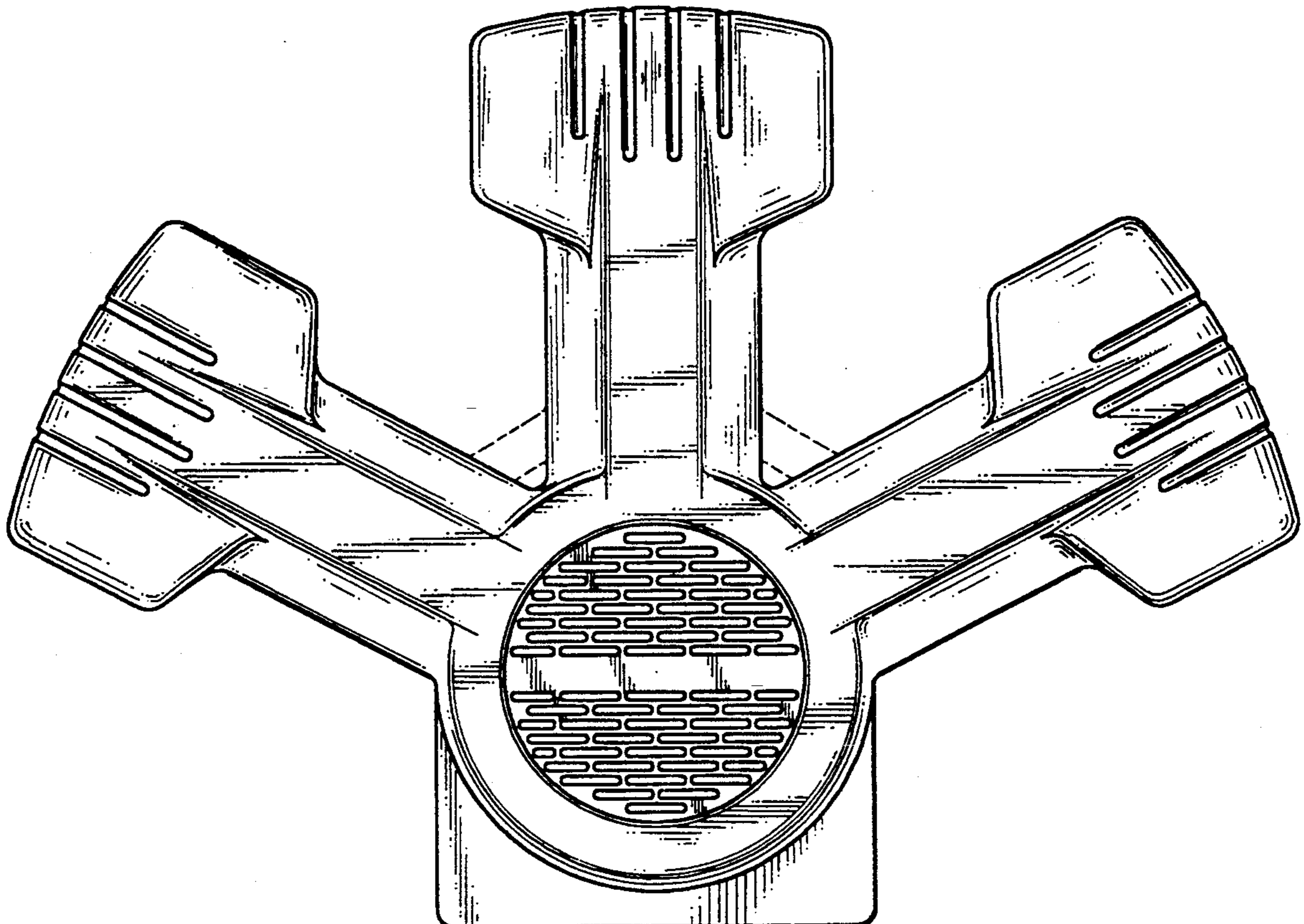
[56] **References Cited**

FIG. 5 is a right view thereof, which is a mirror image of the opposite right side not shown.

U.S. PATENT DOCUMENTS

- D. 281,691 12/1985 Vitaloni D15/9
- D. 296,441 6/1988 Mariol D15/9

The broken line showing of a bracket, in FIGS. 1, 2 and 3 is for illustrative purposes only and forms no part of the claimed design.



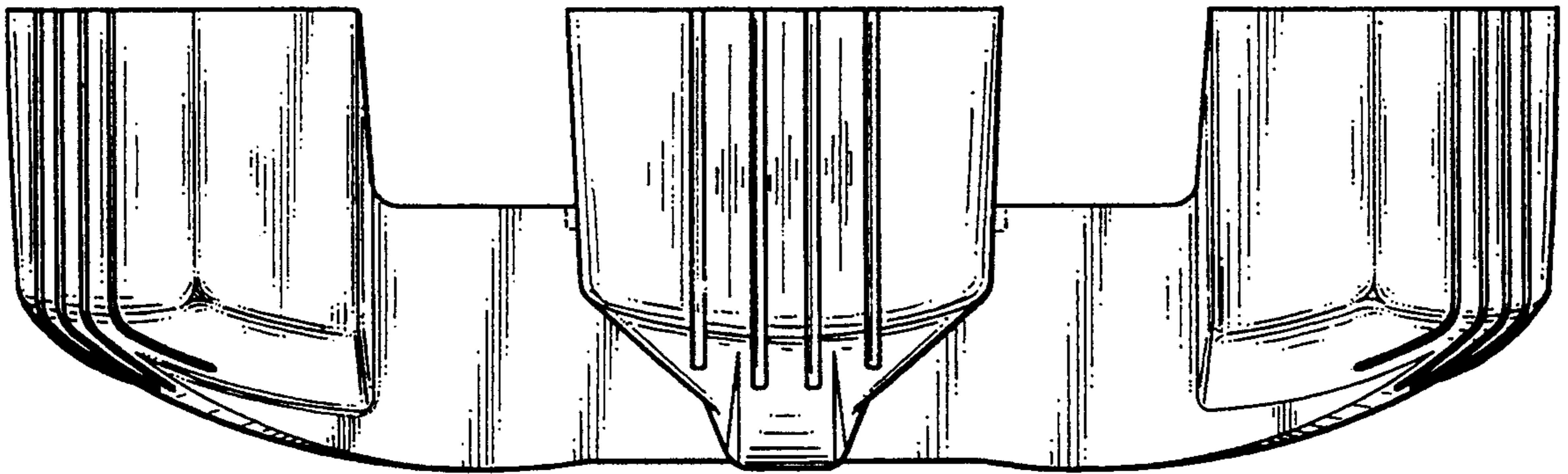


FIG. 1

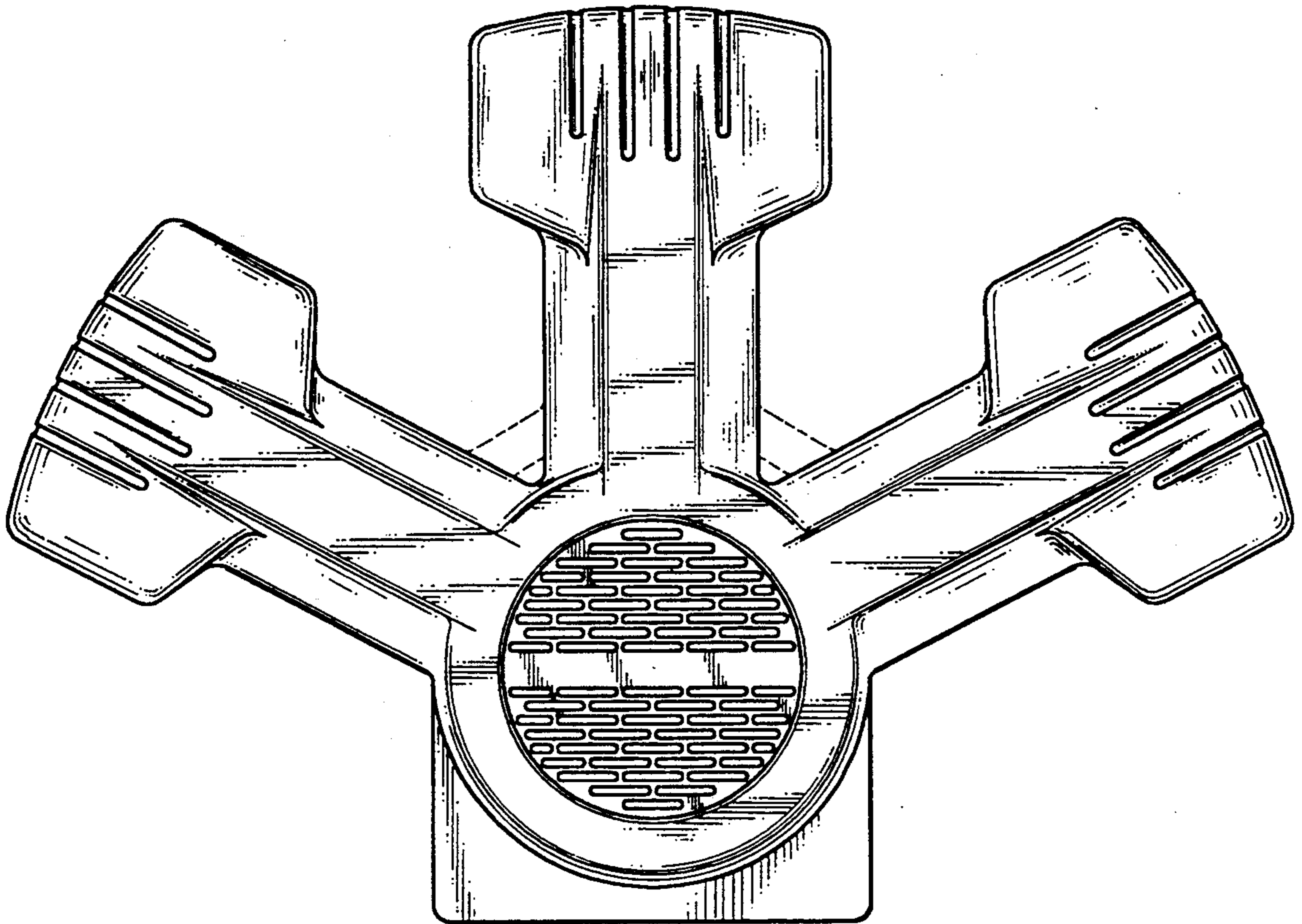


FIG. 2

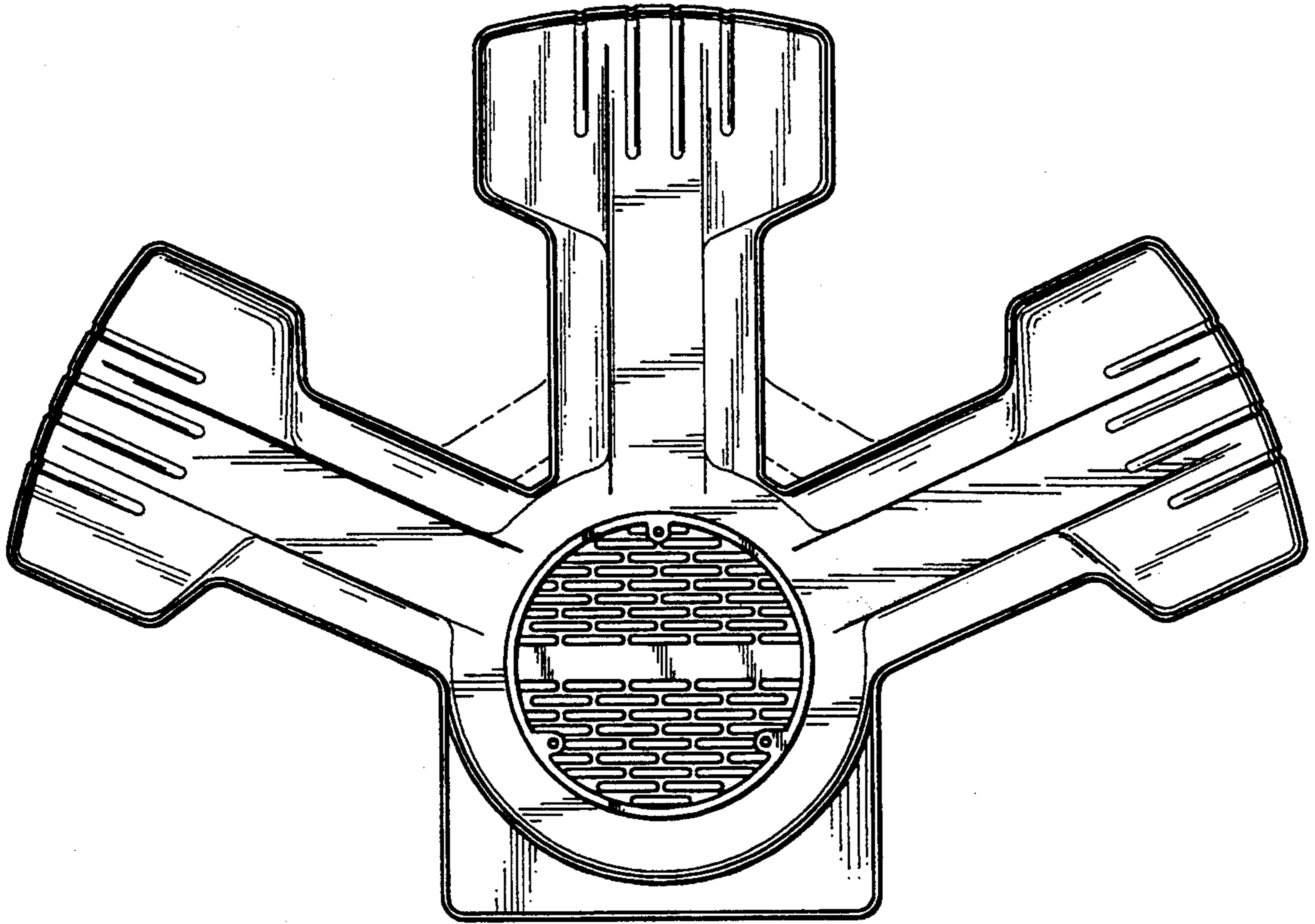


FIG. 3

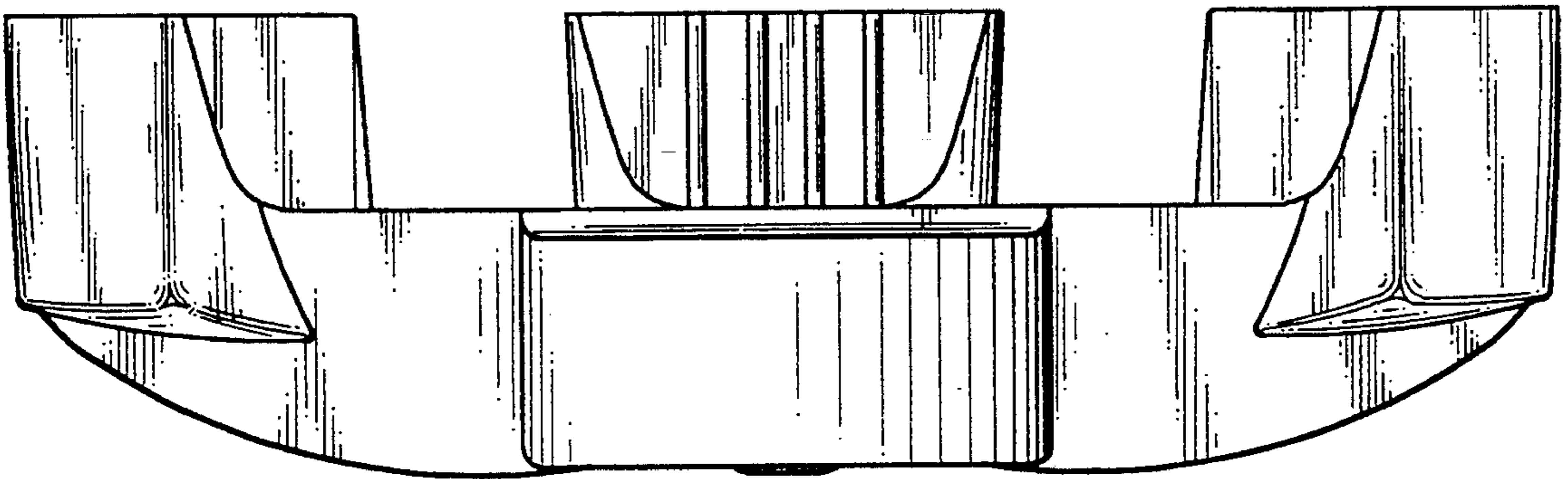


FIG. 4

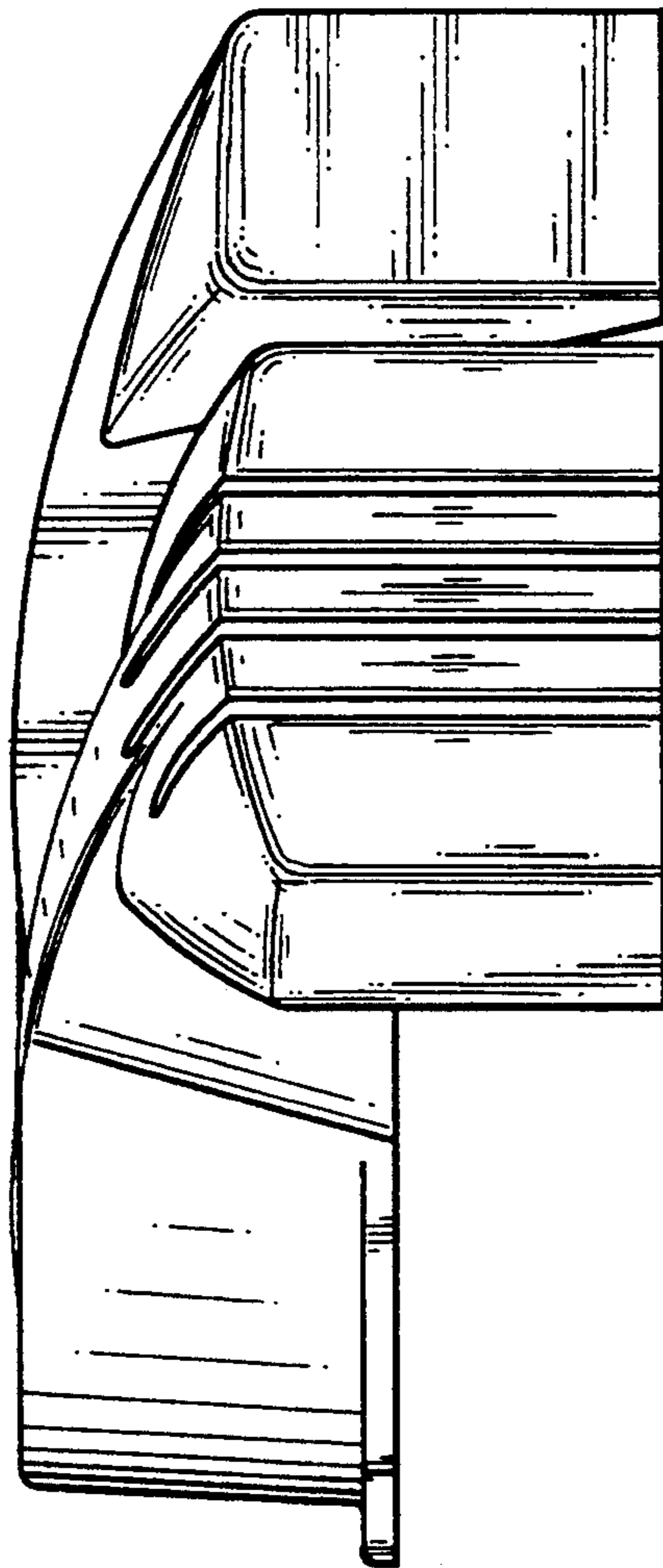


FIG. 5