



US00D362402S

# United States Patent [19]

[11] Patent Number: **Des. 362,402**

Hite

[45] Date of Patent: **\*\* Sep. 19, 1995**

[54] **WEIGHT SCALE FOR A LOADER**

[76] Inventor: **Gil L. Hite, 53rd St., Apt. 3, Belpre, Ohio 45714**

[\*\*] Term: **14 Years**

[21] Appl. No.: **28,319**

[22] Filed: **Sep. 12, 1994**

[52] U.S. Cl. .... **D10/87**

[58] Field of Search ..... **D10/87, 89, 94; 177/25.14, 45, 139, 141, 209**

4,815,547 3/1989 Dillon et al. .... 177/25.14  
5,067,572 11/1991 Kyrtos et al. .... 177/139  
5,105,896 4/1992 Kyrtos ..... 177/139  
5,127,637 7/1992 Castel ..... 177/141 X

*Primary Examiner*—Antoine Duval Davis  
*Attorney, Agent, or Firm*—Kevin A. Sembrat

[57] **CLAIM**

The ornamental design for a weight scale for a loader, as shown and described.

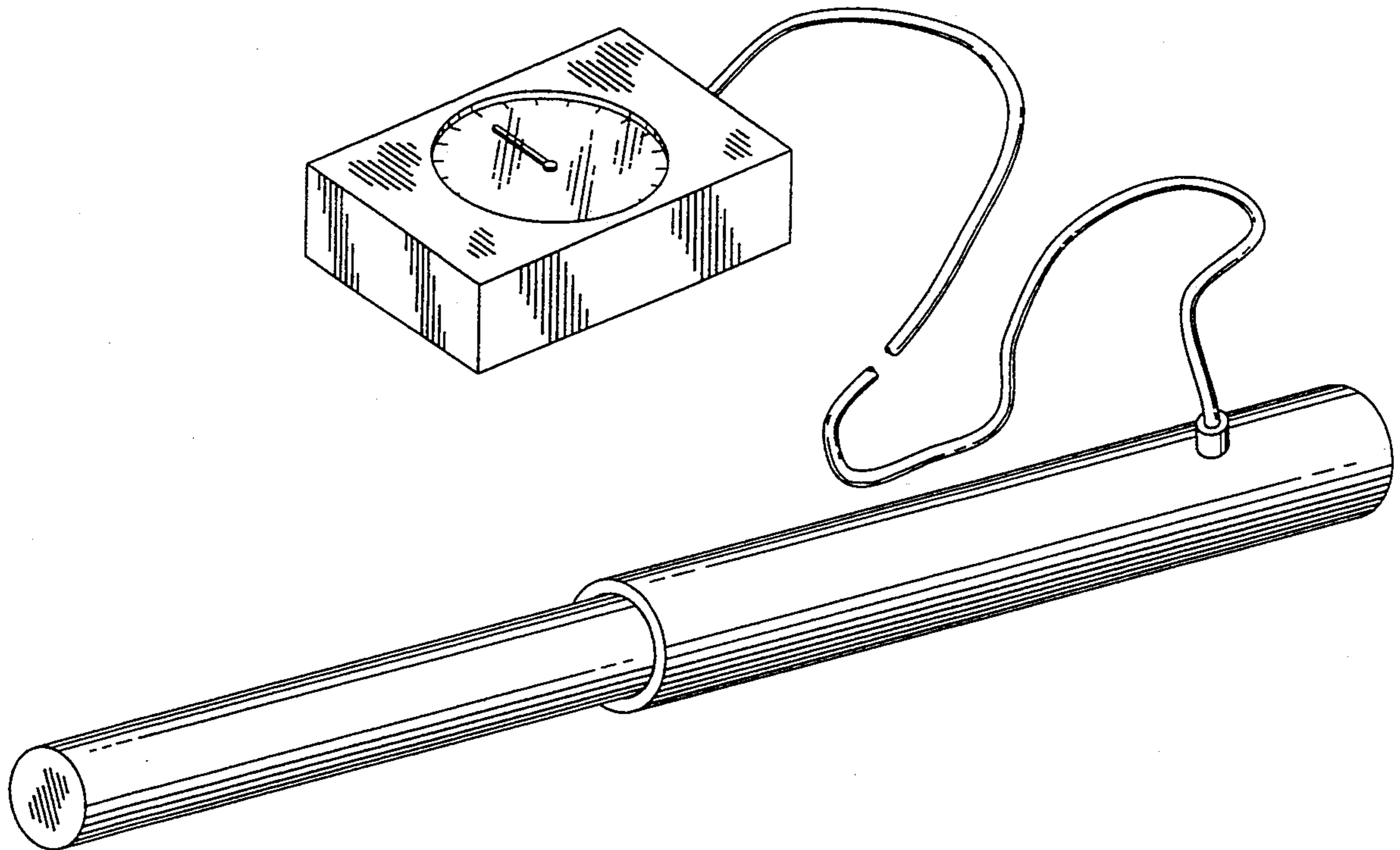
**DESCRIPTION**

FIG. 1 is a front perspective view of a weight scale for a loader showing my new design; FIG. 2 is a rear perspective view thereof; FIG. 3 is a front, elevational view thereof; and, FIG. 4 is a right side elevational view thereof, shown positioned within a broken line illustration of a loader. The broken line illustration showing a loader in FIG. 4 is for illustrative purposes only and forms no part of the claimed design.

[56] **References Cited**

**U.S. PATENT DOCUMENTS**

D. 142,379	9/1945	Edelman	.....	D10/94
D. 142,380	9/1945	Edelman	.....	D10/94
2,742,162	4/1956	Mandt	.....	177/141 X
3,061,117	10/1962	Kruse	.....	177/141 X
4,230,196	10/1980	Snead	.....	177/141
4,300,201	11/1981	Wochnowski	.....	177/25.14 X
4,792,004	12/1988	Sheffield	.....	177/141



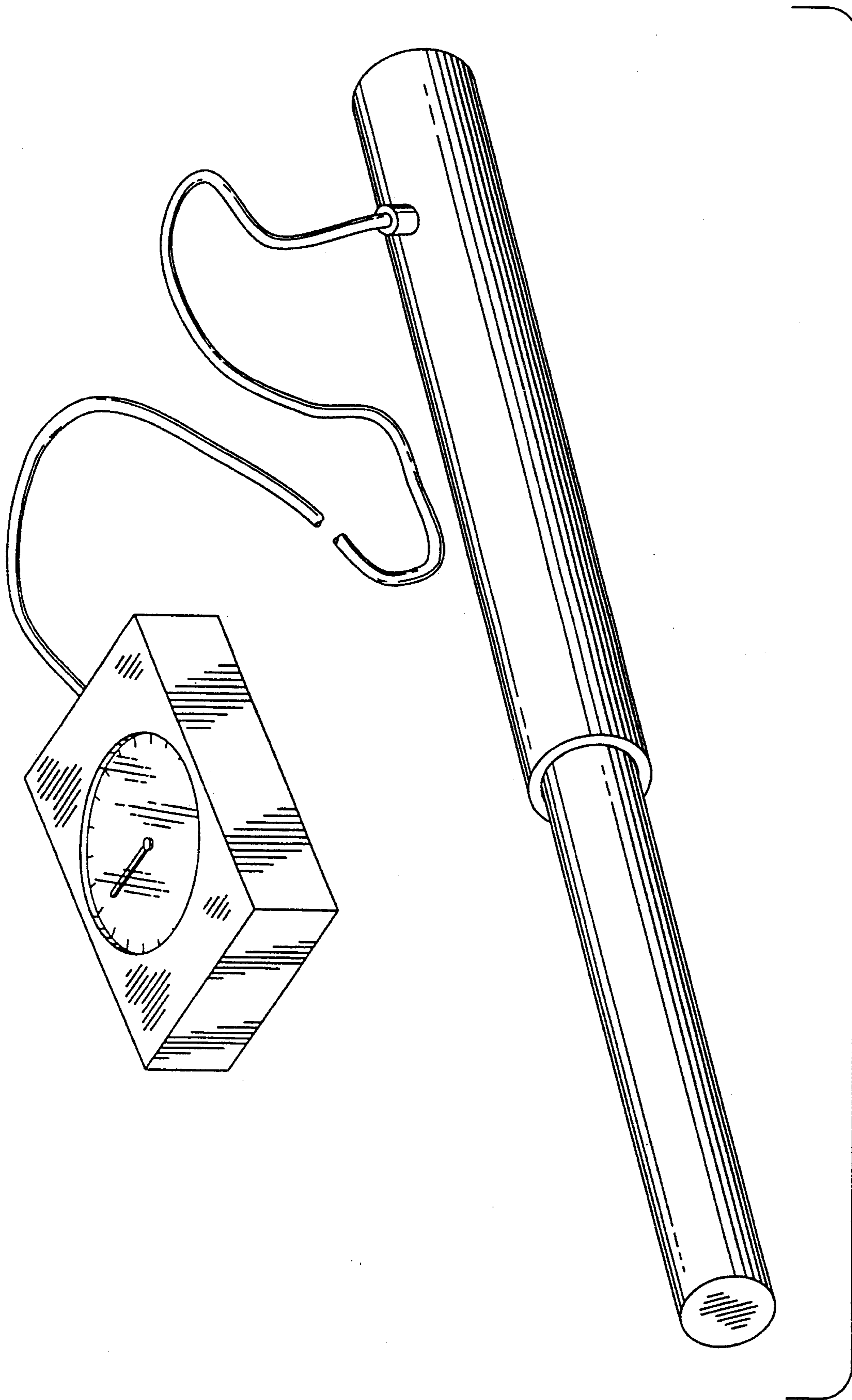


Fig. 1

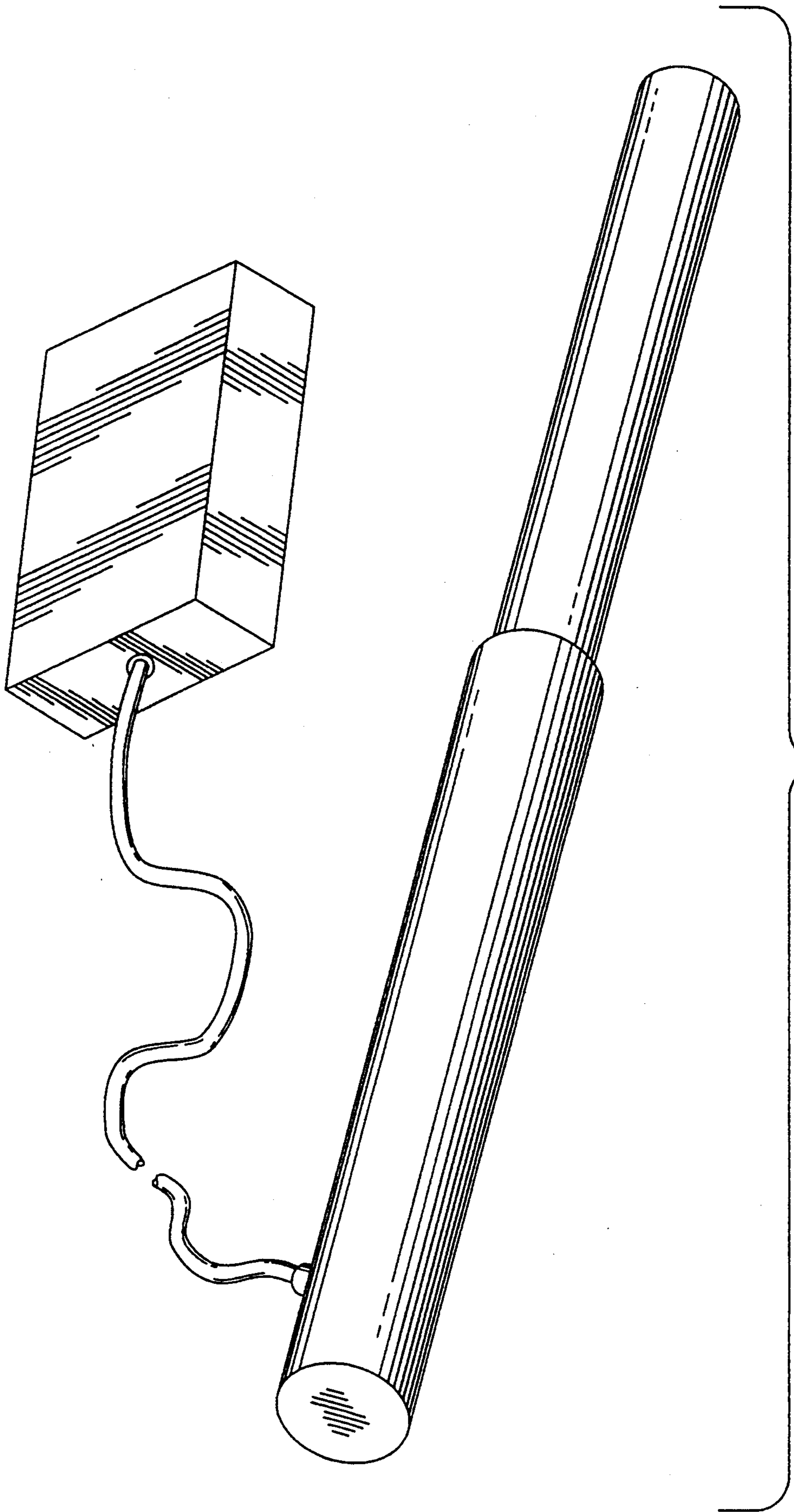


Fig. 2

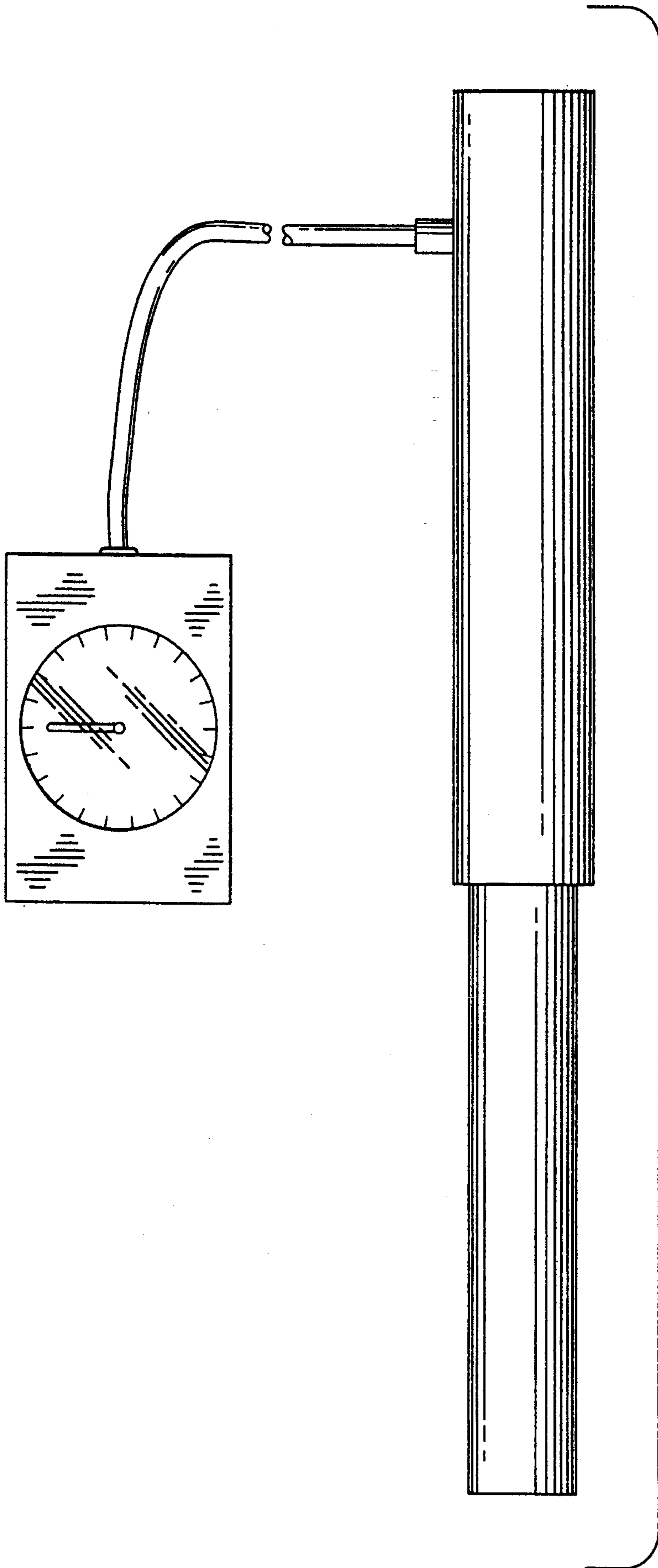


Fig. 3

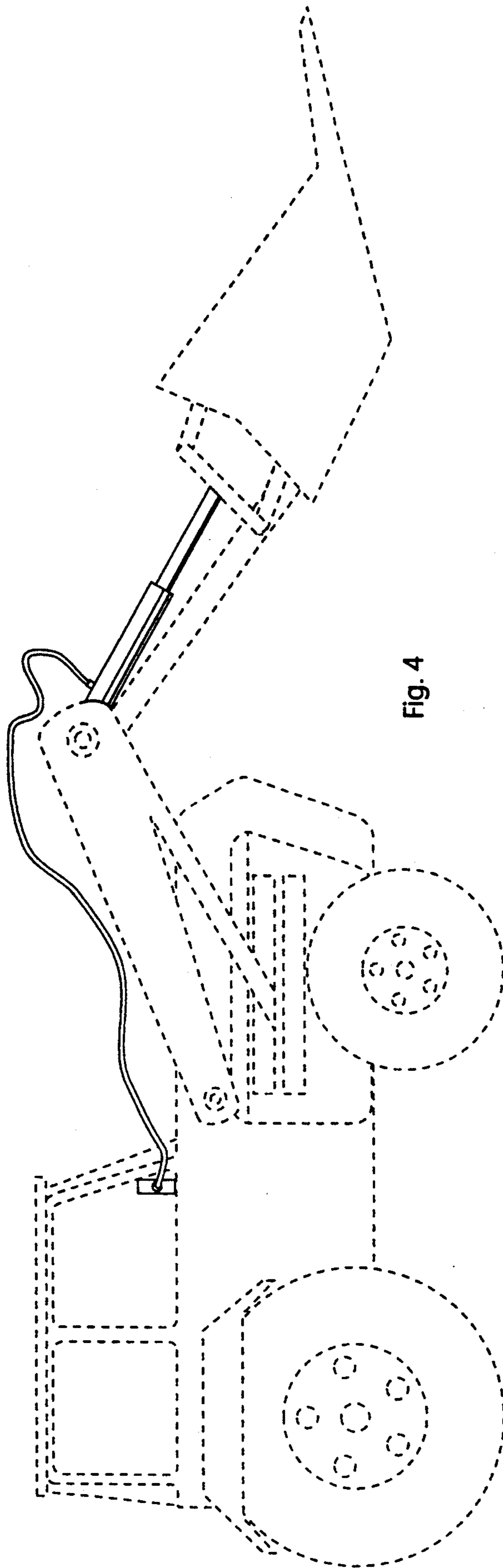


Fig. 4