



US00D362392S

# United States Patent [19]

[11] Patent Number: **Des. 362,392**

**Healey**

[45] Date of Patent: **\*\* Sep. 19, 1995**

[54] **TABLE ALARM CLOCK**

[75] Inventor: **Clifton W. Healey**, Birmingham, Mich.

[73] Assignee: **Advance Watch Co., Inc.**, Southfield, Mich.

[\*\*] Term: **14 Years**

[21] Appl. No.: **27,269**

[22] Filed: **Aug. 17, 1994**

[52] U.S. Cl. .... **D10/15**

[58] Field of Search ..... **D10/1-40, D10/122-132; D14/170, 171; 368/82-84, 239-242, 276-277, 285, 72-73**

[56] **References Cited**

**U.S. PATENT DOCUMENTS**

- D. 232,766 9/1974 Houlihan ..... D14/170
- D. 254,601 4/1980 Talesford ..... D10/15

- D. 269,857 7/1983 Goodin ..... D10/15
- D. 274,798 7/1984 O'Hara ..... D10/15 X
- D. 330,553 10/1992 Hino ..... D14/171
- D. 336,441 6/1993 Meyers ..... D10/15 X

**OTHER PUBLICATIONS**

*Design*—Jan. 1977—p. 24—Alarm Clock.

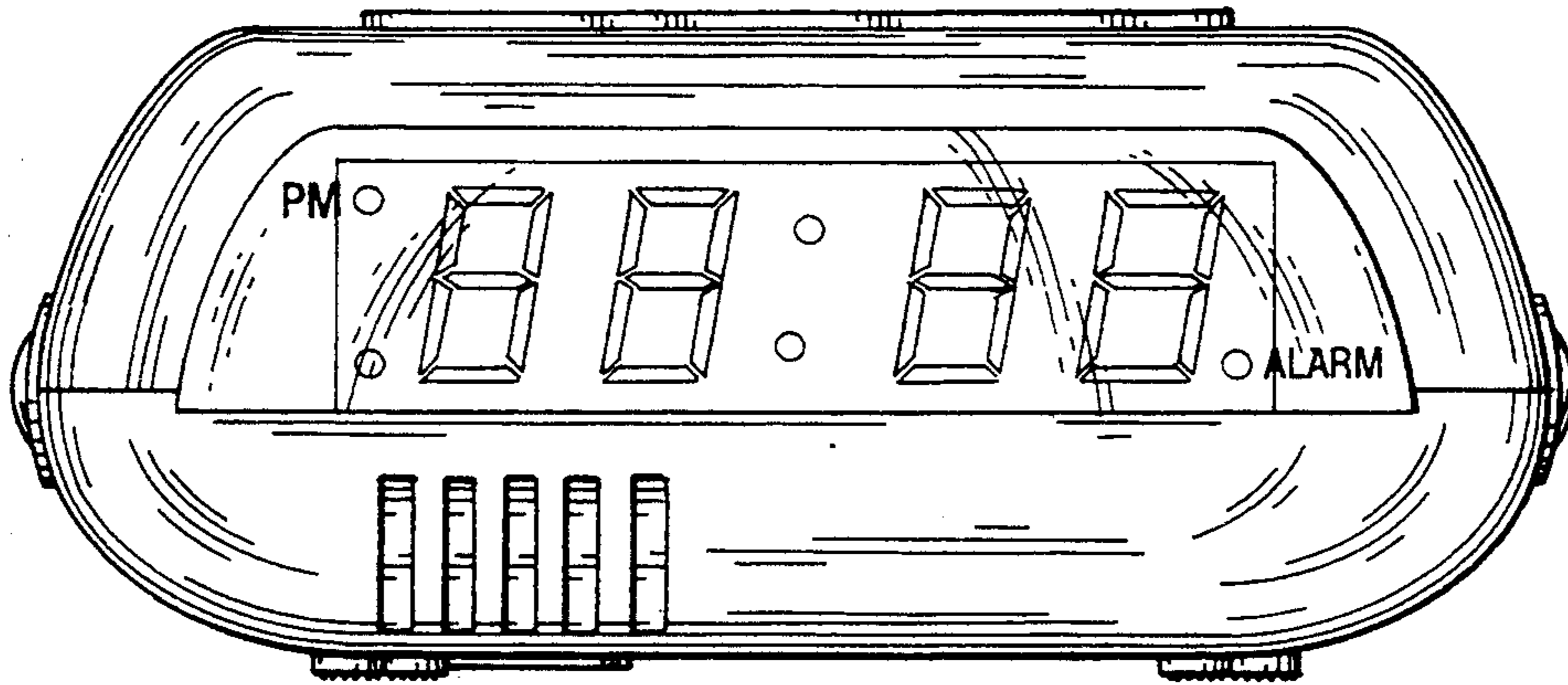
*Primary Examiner*—Nelson C. Holtje  
*Attorney, Agent, or Firm*—Brooks & Kushman

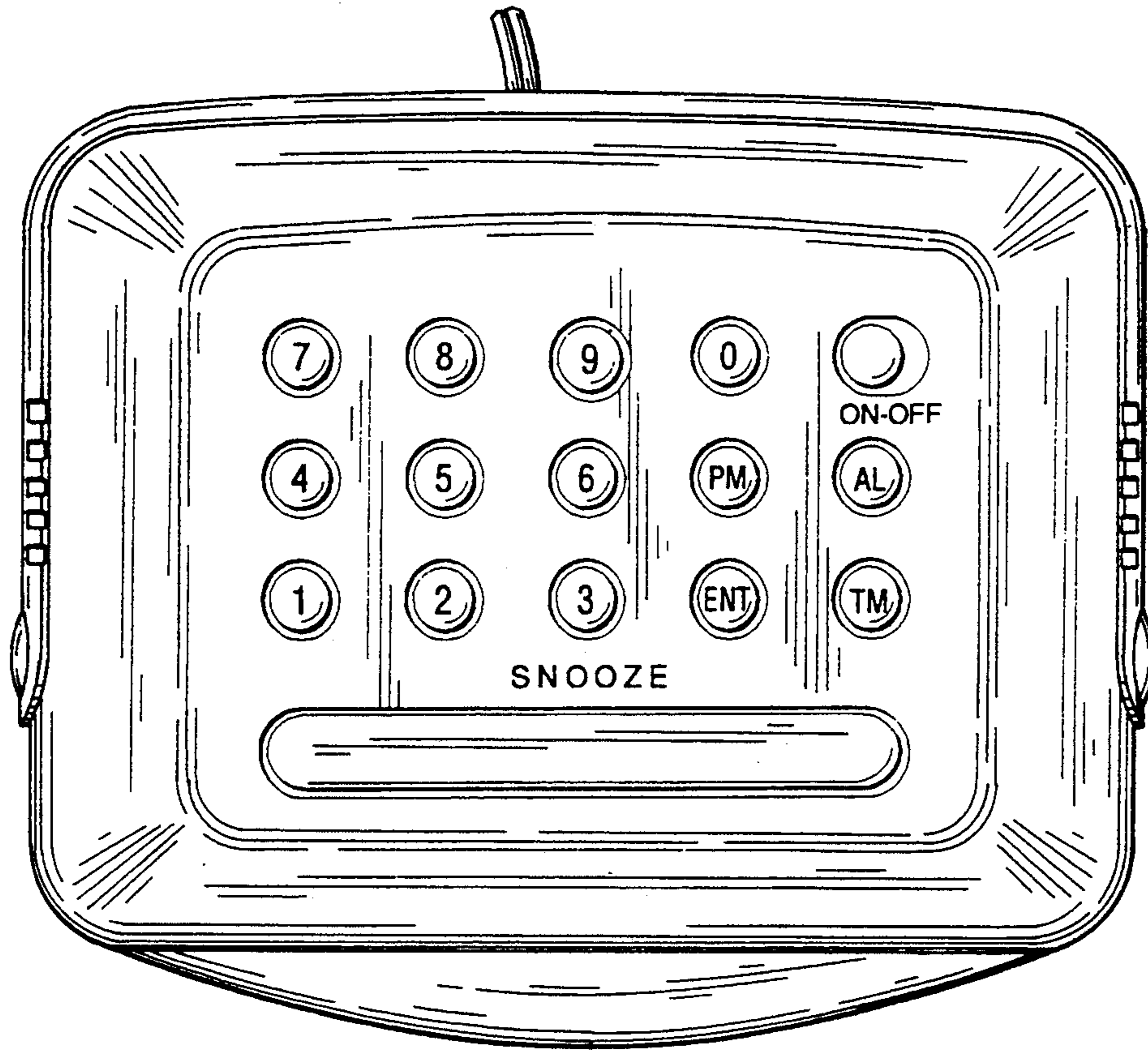
[57] **CLAIM**

An ornamental design for a table alarm clock, as shown and described.

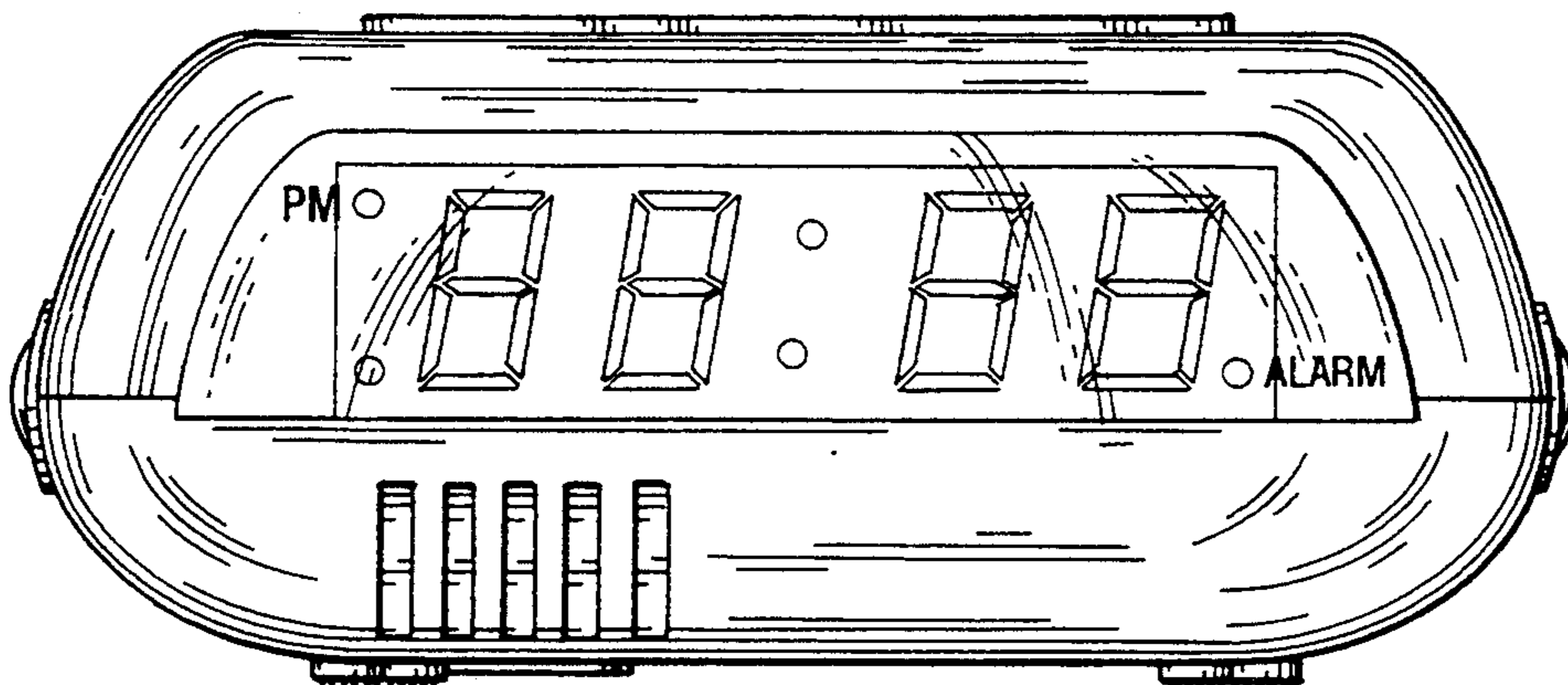
**DESCRIPTION**

FIG. 1 is a top plan view of my new design;  
 FIG. 2 is front elevational view;  
 FIG. 3 is a bottom plan view;  
 FIG. 4 is a rear elevational view;  
 FIG. 5 is a left side elevational view; and,  
 FIG. 6 is a right side elevational view.

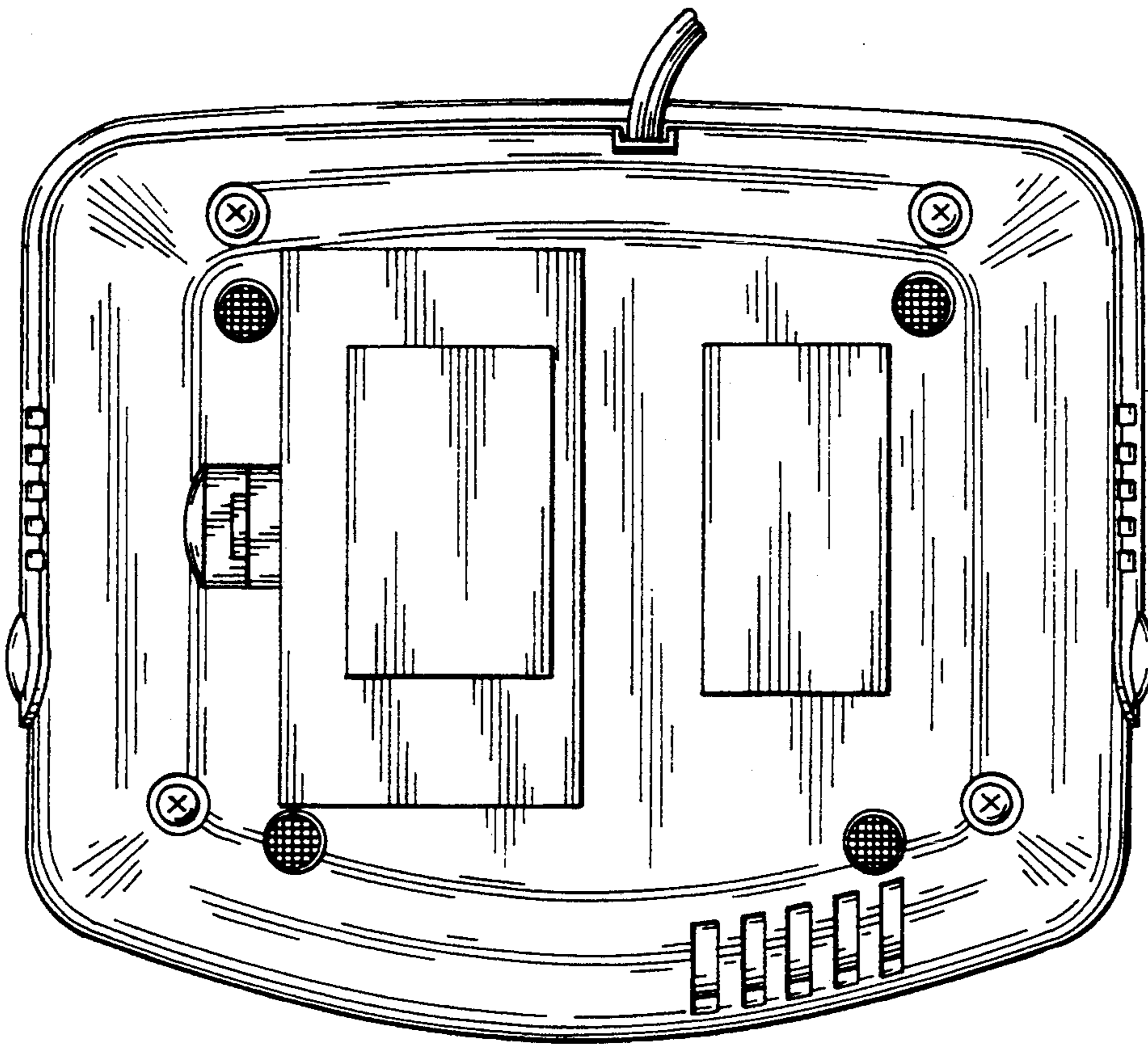




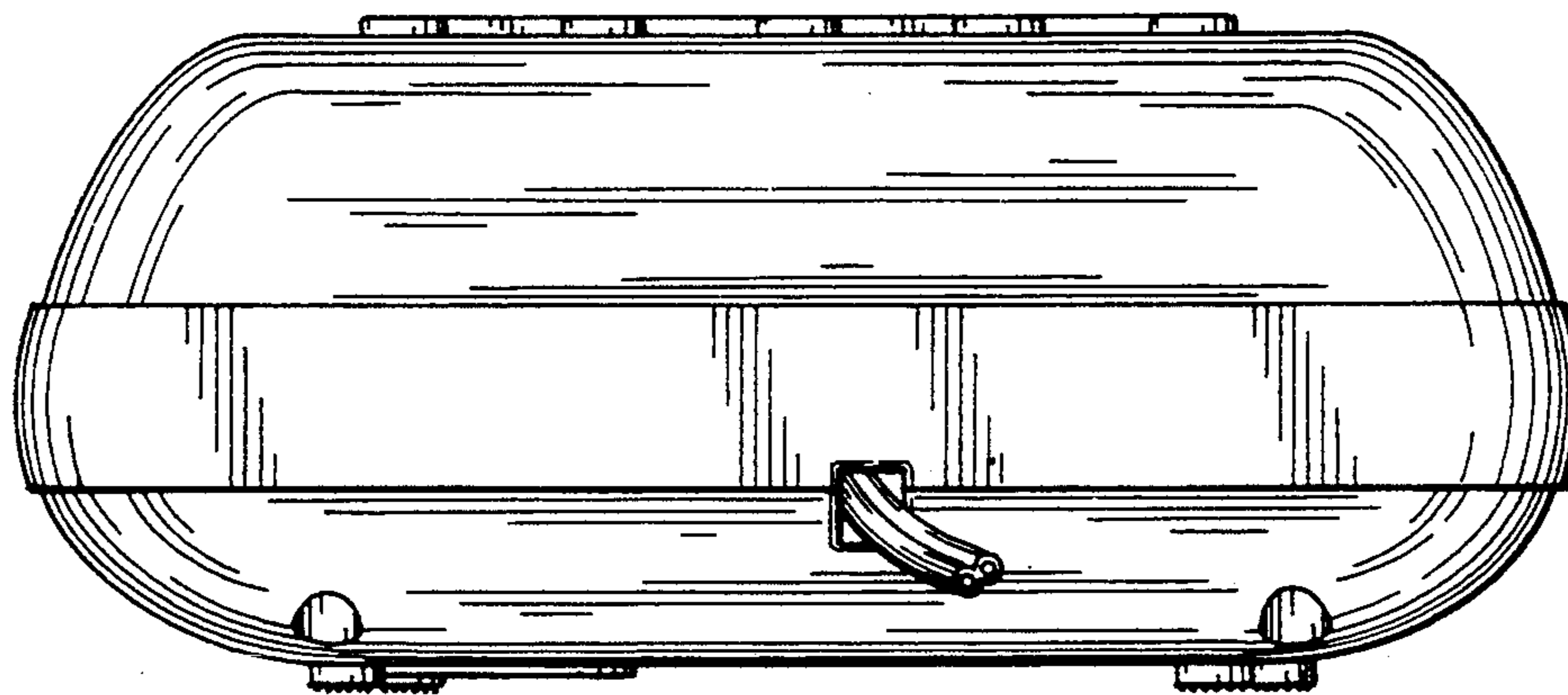
*Fig. 1*



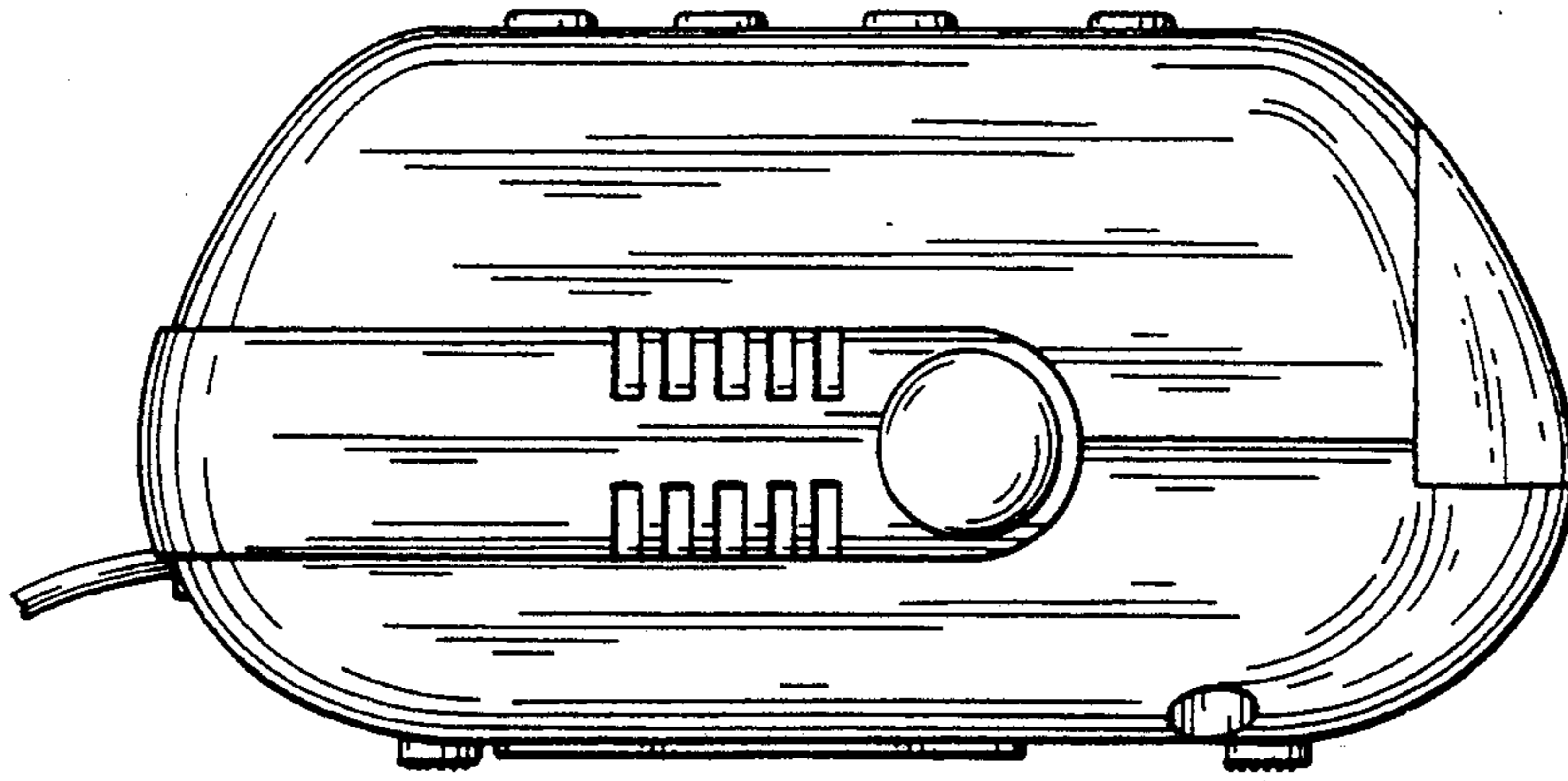
*Fig. 2*



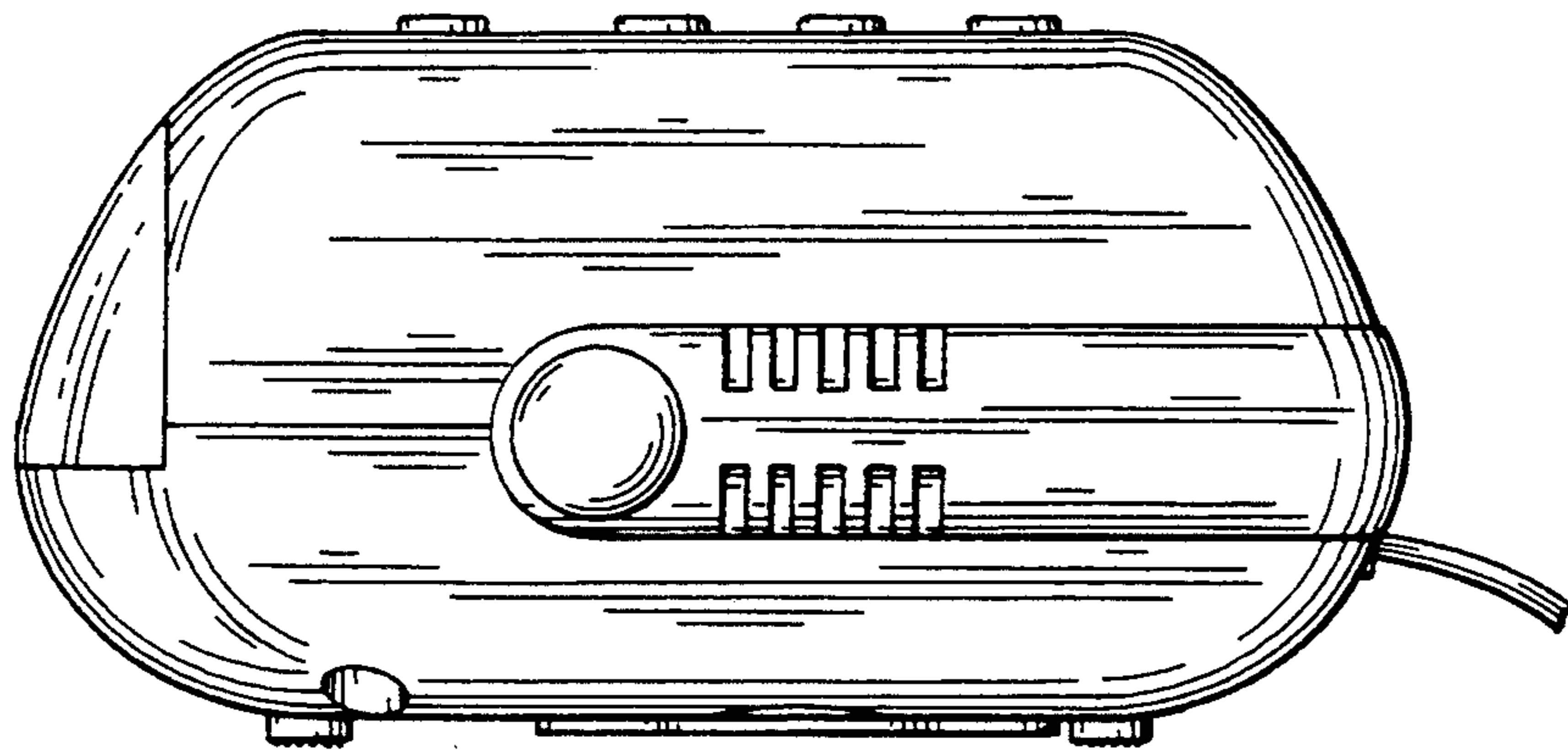
*Fig. 3*



*Fig. 4*



*Fig. 5*



*Fig. 6*