



US00D362382S

United States Patent [19]

[11] Patent Number: **Des. 362,382**

Cloud

[45] Date of Patent: **** Sep. 19, 1995**

- [54] **REBAR CAGE SPACER WHEEL**
- [75] Inventor: **George T. Cloud**, Lithia Springs, Ga.
- [73] Assignee: **Lowtech Corporation, Inc.**,
Lawrenceville, Ga.
- [**] Term: **14 Years**
- [21] Appl. No.: **12,489**
- [22] Filed: **Sep. 1, 1993**
- [52] U.S. Cl. **D8/354**
- [58] Field of Search **D8/356, 354; 248/68.1,**
248/74.1-74.3; 24/16 R, 16 PB, 339; 52/652,
742, 677-689

Primary Examiner—A. Hugo Word
Assistant Examiner—Holly Baynham
Attorney, Agent, or Firm—Hopkins & Thomas

[57] CLAIM

The ornamental design for a rebar cage spacer wheel, as shown and described.

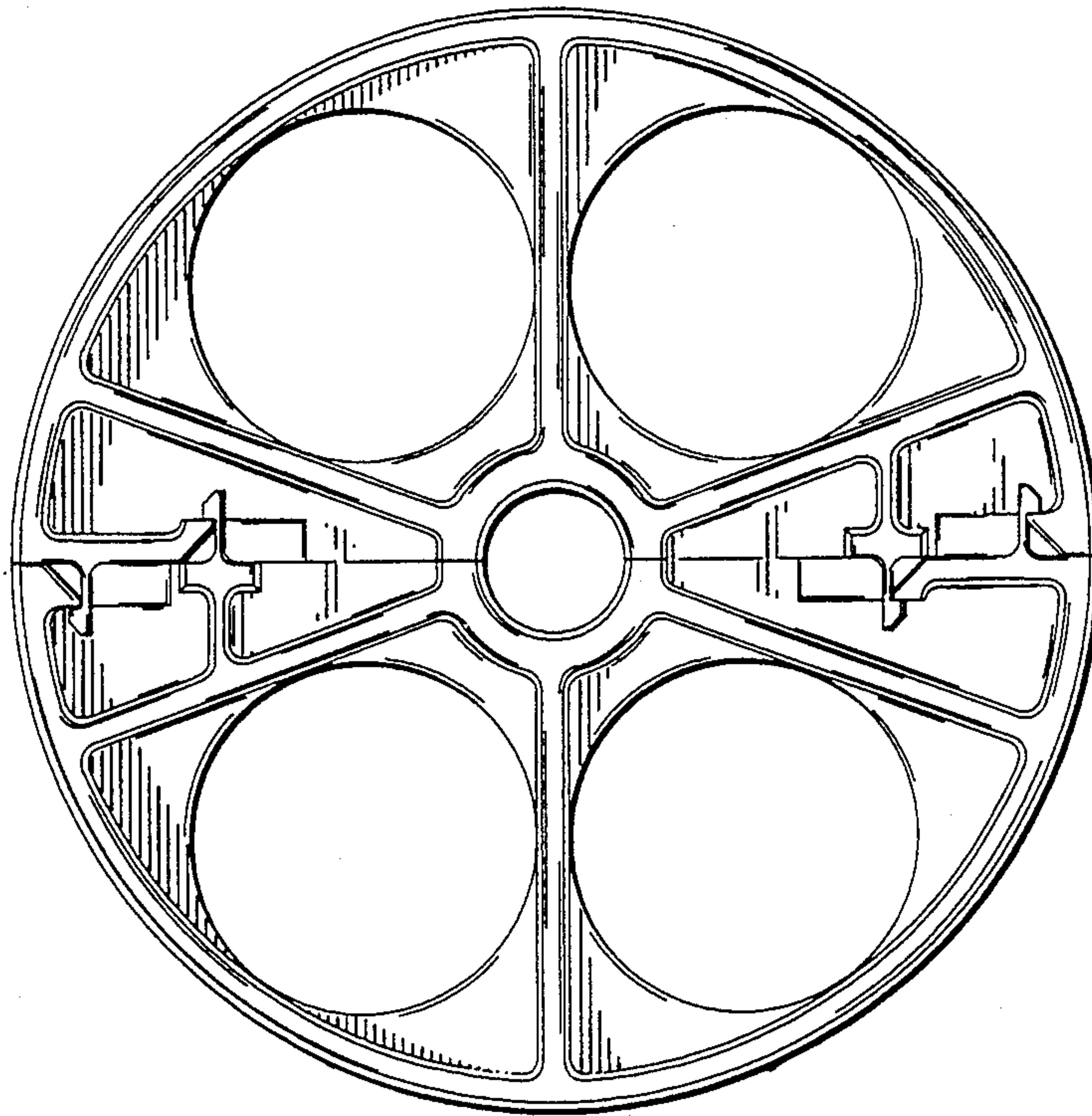
DESCRIPTION

FIG. 1 is a perspective illustration one half of the rebar cage spacer wheel, with the other wheel half being identical thereto;
 FIG. 2 is a left side view of the assembled wheel, with the opposite side being identical thereto;
 FIG. 3 is a plan view of a wheel half;
 FIG. 4 is a side view of the wheel half, showing the diametrical surface that confronts the diametrical surface of the opposite wheel half;
 FIG. 5 is a plan view of the opposite side of the wheel half illustrated in FIG. 3;
 FIG. 6 is an end view of a wheel half, with the opposite end being identical thereto; and,
 FIG. 7 is a plan view of the rebar cage spacer wheel fully assembled with the opposite plan view being a mirror image.

The claimed design is shown detached in FIGS. 1 and 3-6 for clarity of illustration.

- [56] **References Cited**
- U.S. PATENT DOCUMENTS**
- | | | | |
|------------|---------|---------------|----------|
| D. 223,701 | 5/1972 | Lausch | D8/356 |
| 790,230 | 6/1905 | Stempel . | |
| 1,946,418 | 2/1934 | Welch . | |
| 3,191,345 | 6/1965 | Schwachula . | |
| 3,280,529 | 10/1966 | Reuss . | |
| 4,627,211 | 12/1986 | Foster, Jr. . | |
| 4,741,143 | 5/1988 | Foster, Jr. . | |
| 5,027,478 | 7/1991 | Suhr | 24/339 X |

- OTHER PUBLICATIONS**
- “Centraligner Pier Sleds” by Pieresearch, 2 pages, 1990.



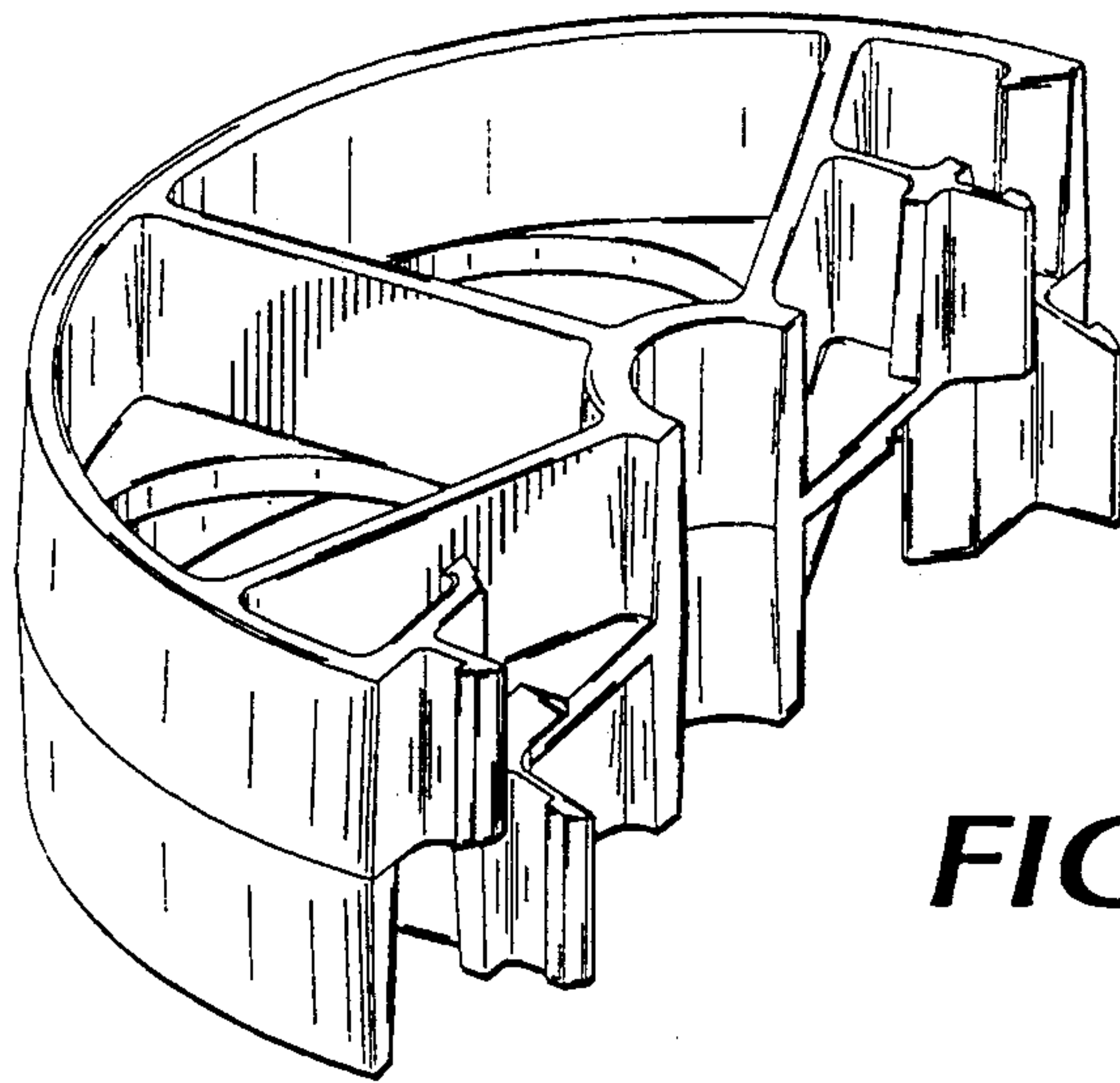


FIG. 1

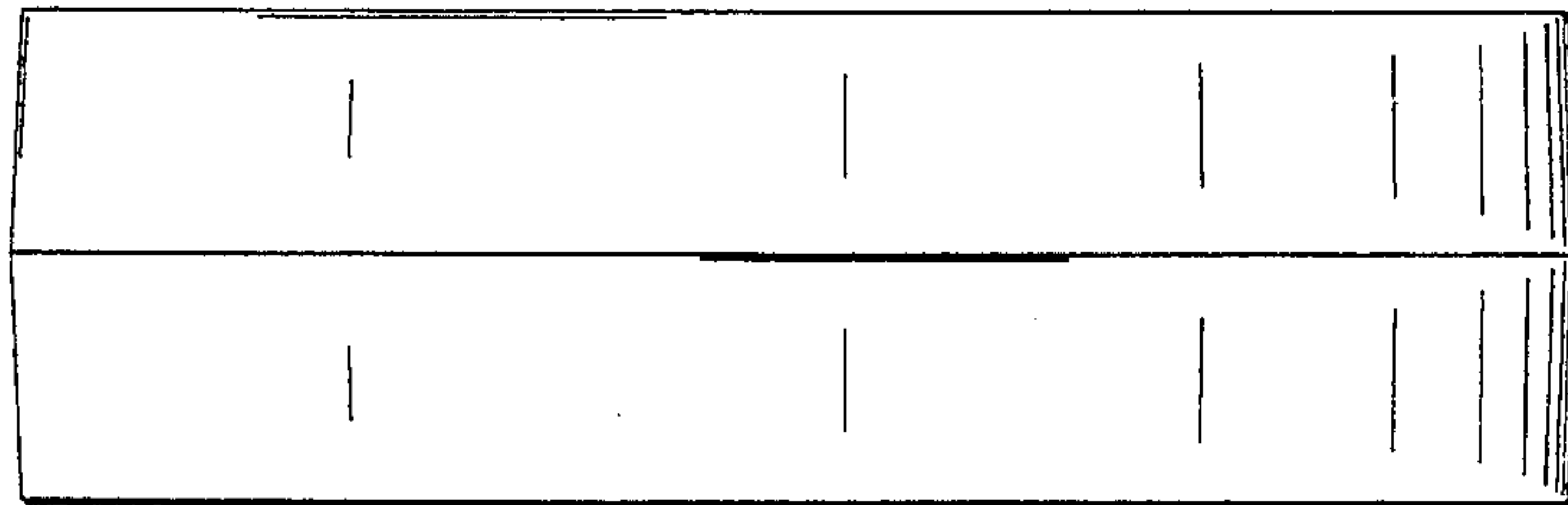


FIG. 2

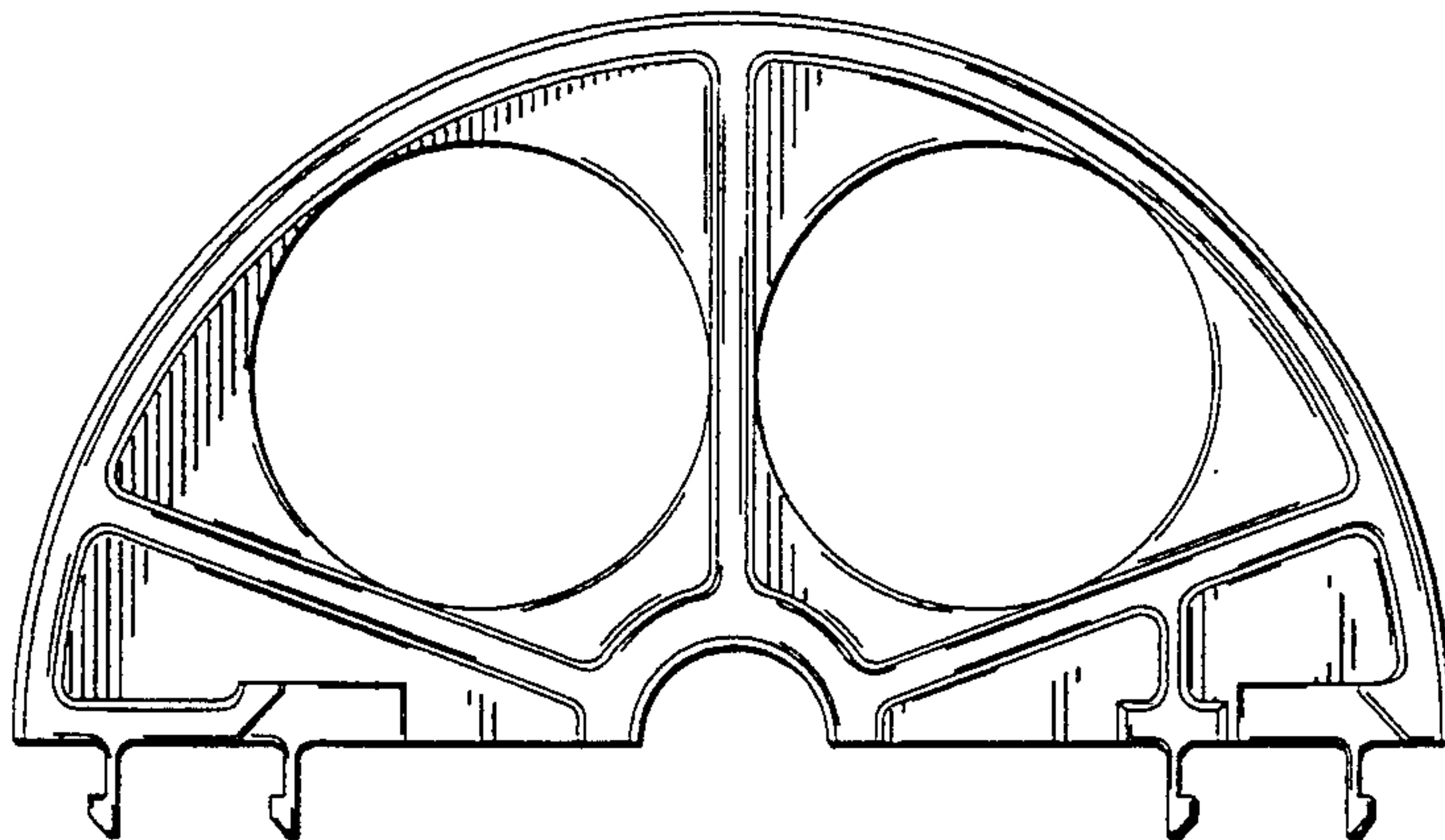


FIG. 3

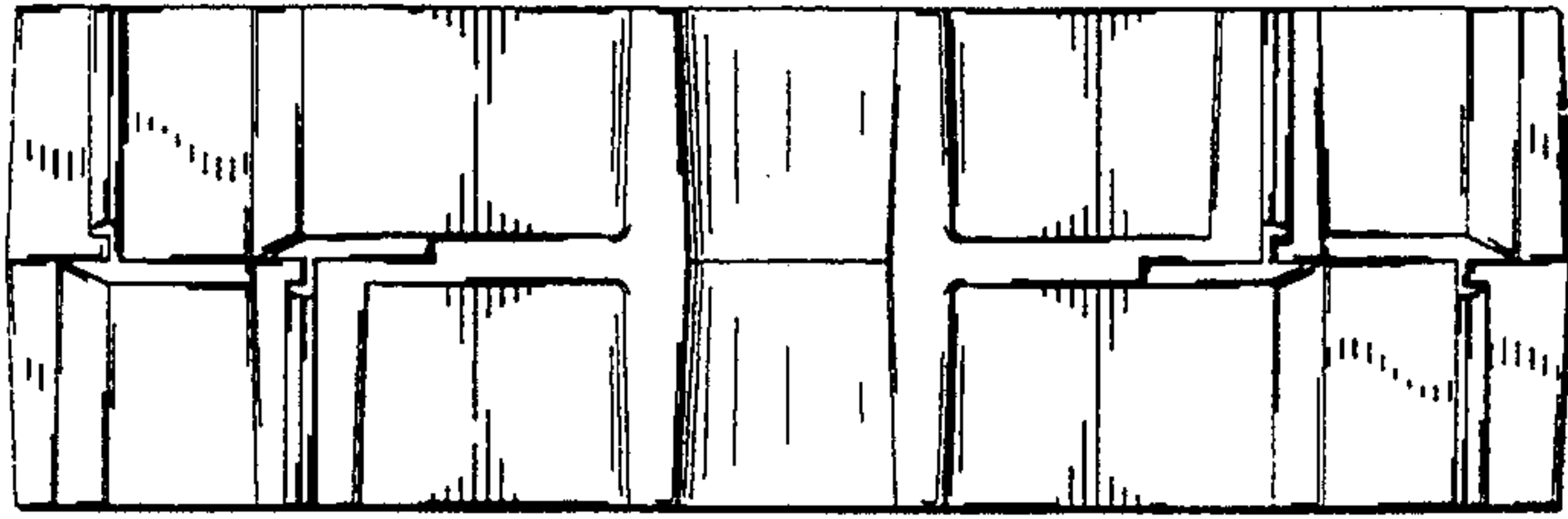


FIG. 4

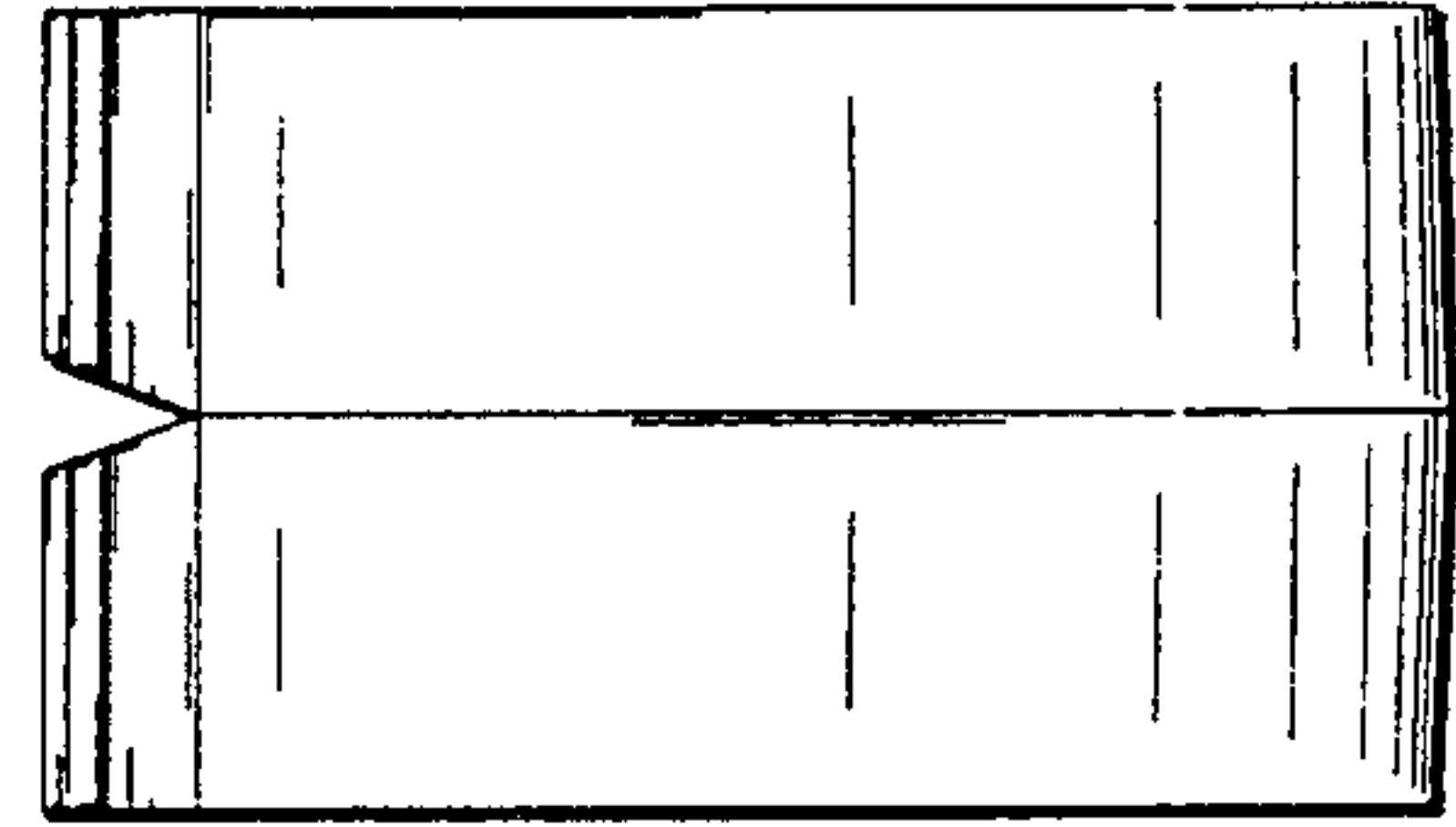


FIG. 6

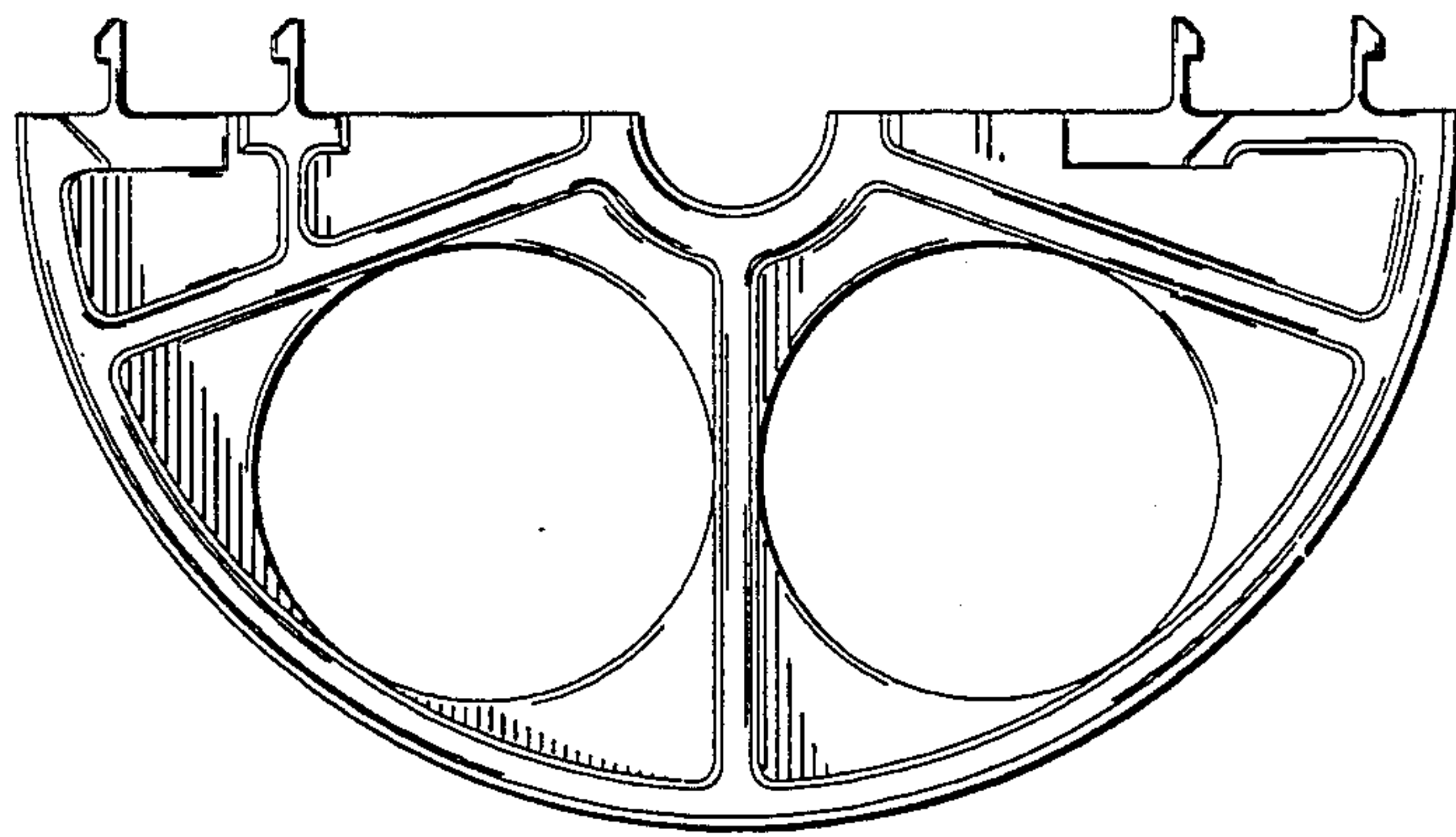


FIG. 5

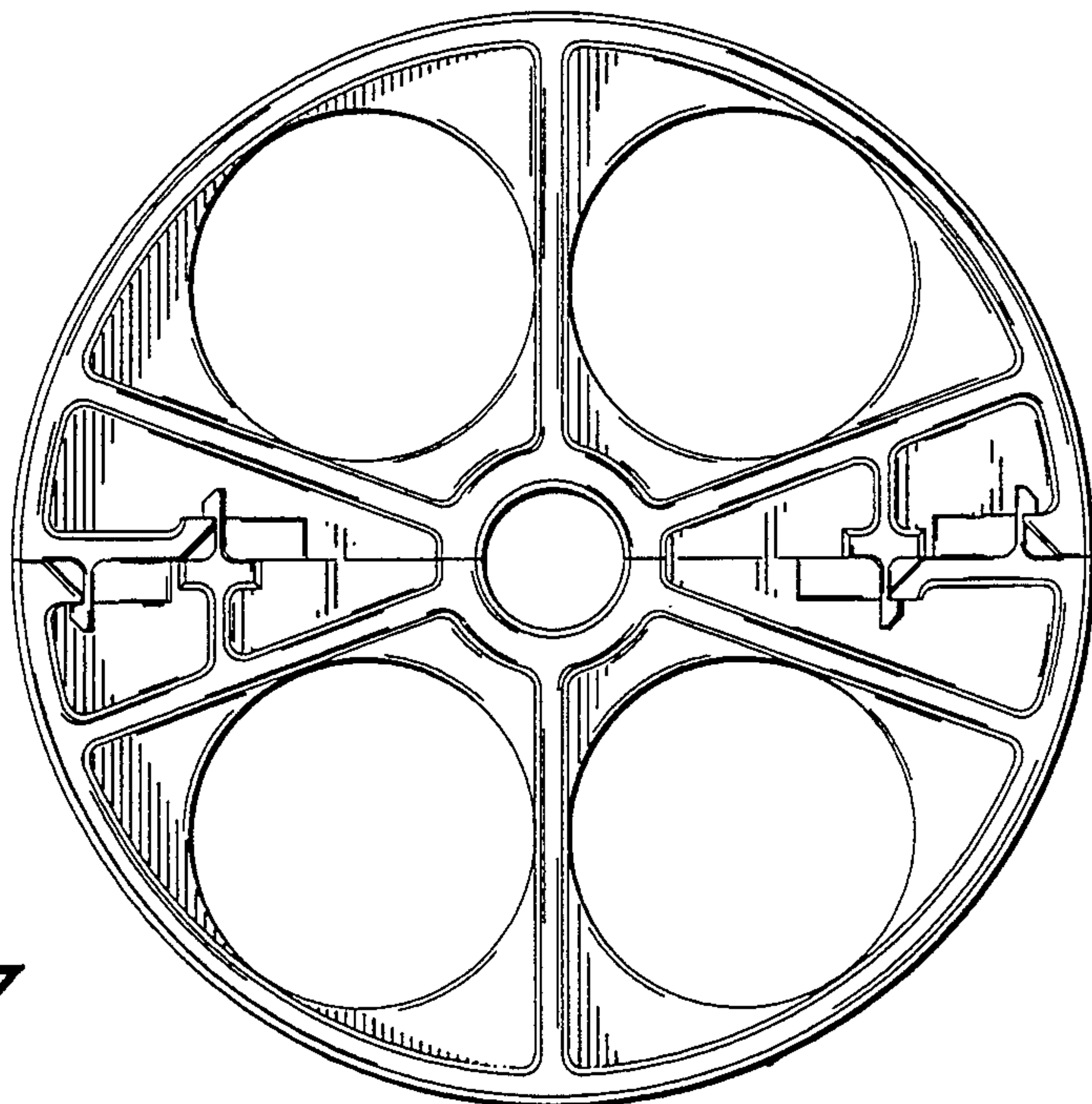


FIG. 7