



US00D362378S

United States Patent [19]

[11] Patent Number: **Des. 362,378**

Schweizer

[45] Date of Patent: **** Sep. 19, 1995**

[54] **CAN OPENER**

[76] Inventor: **Russell J. Schweizer**, 1153 N. Shore Dr., Crystal Lake, Ill. 60014

[**] Term: **14 Years**

[21] Appl. No.: **13,214**

[22] Filed: **Sep. 21, 1993**

[52] U.S. Cl. **D8/36**

[58] Field of Search **D8/18, 33, 34-36, D8/40-43; 30/400, 408, 410, 416, 420, 424-427, 433, 434, 441**

3,689,999	9/1972	Swanke et al. .
3,722,089	3/1973	McLean et al. .
3,757,416	9/1973	Yamamoto .
3,765,085	10/1973	Ponczek et al. .
3,911,571	10/1975	Ponczek et al. .
3,927,472	12/1975	Yamamoto .
3,942,247	3/1976	Ponczek et al. .
4,534,108	8/1985	Yamamoto et al. .
4,663,849	5/1987	Nickelson .
4,831,735	5/1989	Bast et al. 30/433

FOREIGN PATENT DOCUMENTS

2399226 4/1979 France .

OTHER PUBLICATIONS

Home Furnishing Daily, Dec. 29, 1975 p. 14 (Dazey Products Co. "Campbell's can opener").
 Housewares, Jun. 1986 p. 55.
 HFD Mar. 30, 1987, p. 67 (Sunbeam's adjustable can opener).
 HKE Nov. 1988 p. 230 (Canmate can opener).

Primary Examiner—Prabhakar G. Deshmukh
Assistant Examiner—Adir Aronovich
Attorney, Agent, or Firm—Paul D. Bangor, Jr.; Michael J. Kline; Carol I. Bordas

[57] CLAIM

The ornamental design for a can opener, as shown.

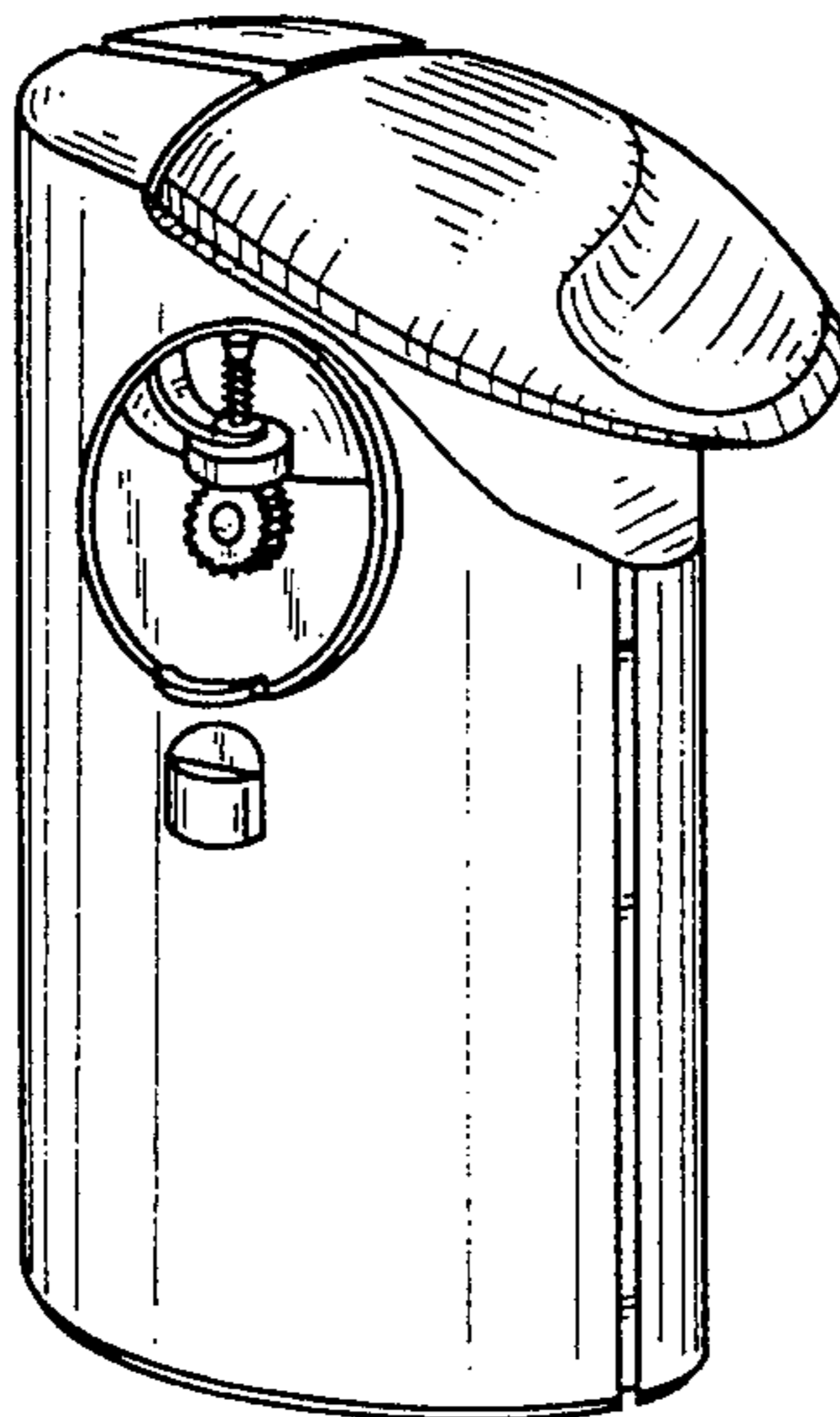
DESCRIPTION

FIG. 1 is a top front perspective view of a can opener showing my new design;
 FIG. 2 is a front elevational view of the can opener of FIG. 1;
 FIG. 3 is a rear elevational view of the can opener of FIG. 1;
 FIG. 4 is a top plan view of the can opener of FIG. 1;
 FIG. 5 is a bottom plan view of the can opener of FIG. 1;
 FIG. 6 is a left side elevational view of the can opener of FIG. 1; and,
 FIG. 7 is a right side elevational view of the can opener of FIG. 1.

[56] References Cited

U.S. PATENT DOCUMENTS

D. 179,607	1/1957	Madl .	
D. 181,012	9/1957	Madl .	
D. 181,157	10/1957	Madl .	
D. 190,861	7/1961	Hart .	
D. 200,103	1/1965	Madl .	
D. 200,235	2/1965	Madl .	
D. 201,754	7/1965	Reed et al. .	
D. 202,268	9/1965	Reed et al. .	
D. 211,260	6/1968	Reed et al.	D8/35
D. 220,899	6/1971	Ernest	D8/36
D. 230,129	1/1974	Smith	D8/36
D. 243,819	3/1977	Avise et al.	D8/36
D. 302,929	8/1989	Thomas	D8/35
D. 308,468	6/1990	Littmann	D8/36
D. 348,813	7/1994	Klein	D8/36
2,547,258	4/1951	Craig .	
2,706,852	4/1955	Straub et al. .	
2,879,589	3/1959	Ulke .	
2,897,637	8/1959	Bodle .	
2,979,815	4/1961	Rohde et al. .	
3,002,274	10/1961	Jepson et al. .	
3,009,244	11/1961	Uthoff .	
3,071,899	1/1963	Hicks et al. .	
3,254,406	6/1966	Hubrich .	
3,487,542	1/1970	Hamwi et al. .	
3,585,717	6/1971	Bielak et al. .	
3,635,270	1/1972	Petroske et al. .	
3,673,682	7/1972	Yamamoto .	
3,675,321	7/1972	Arel et al. .	



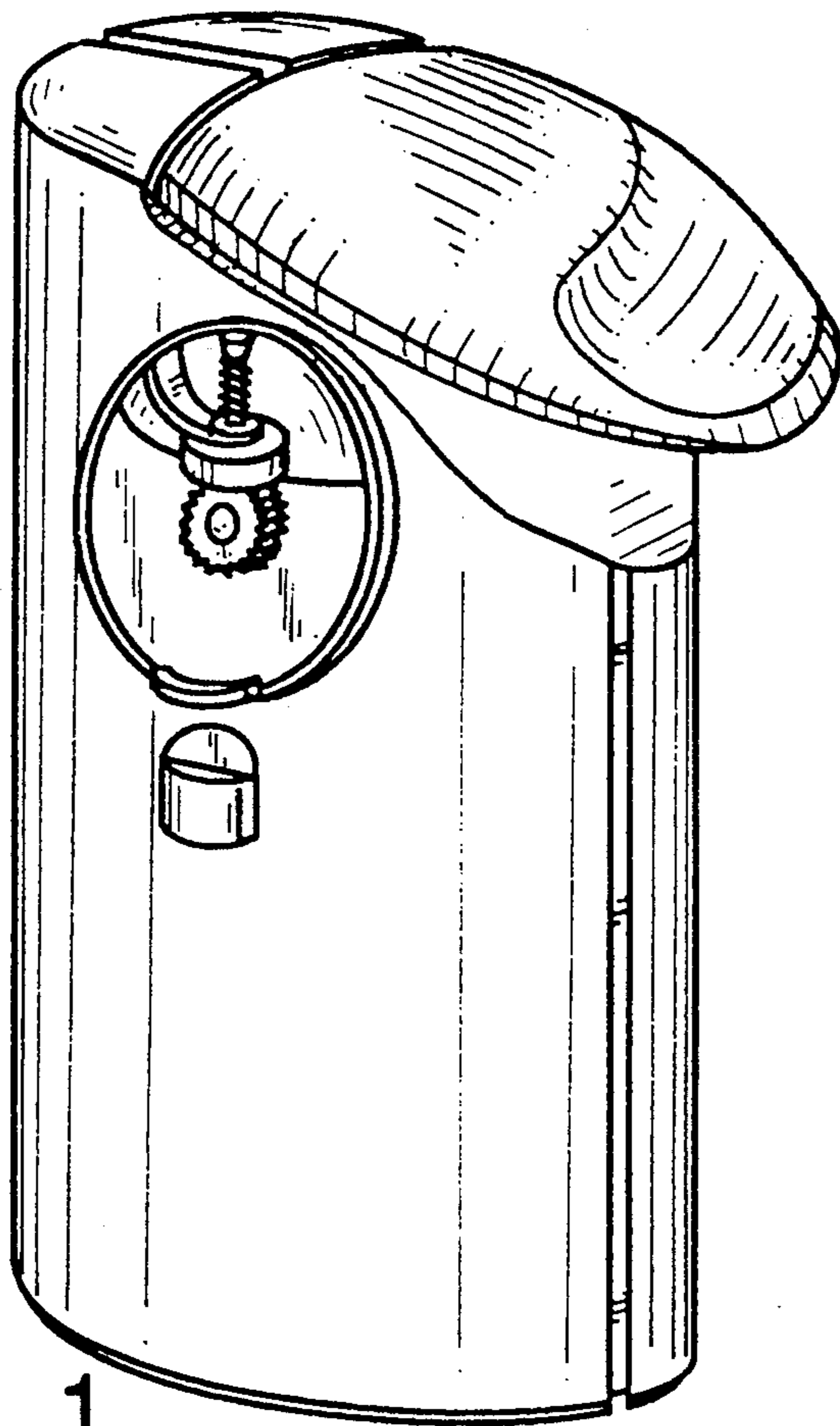


FIG. 1

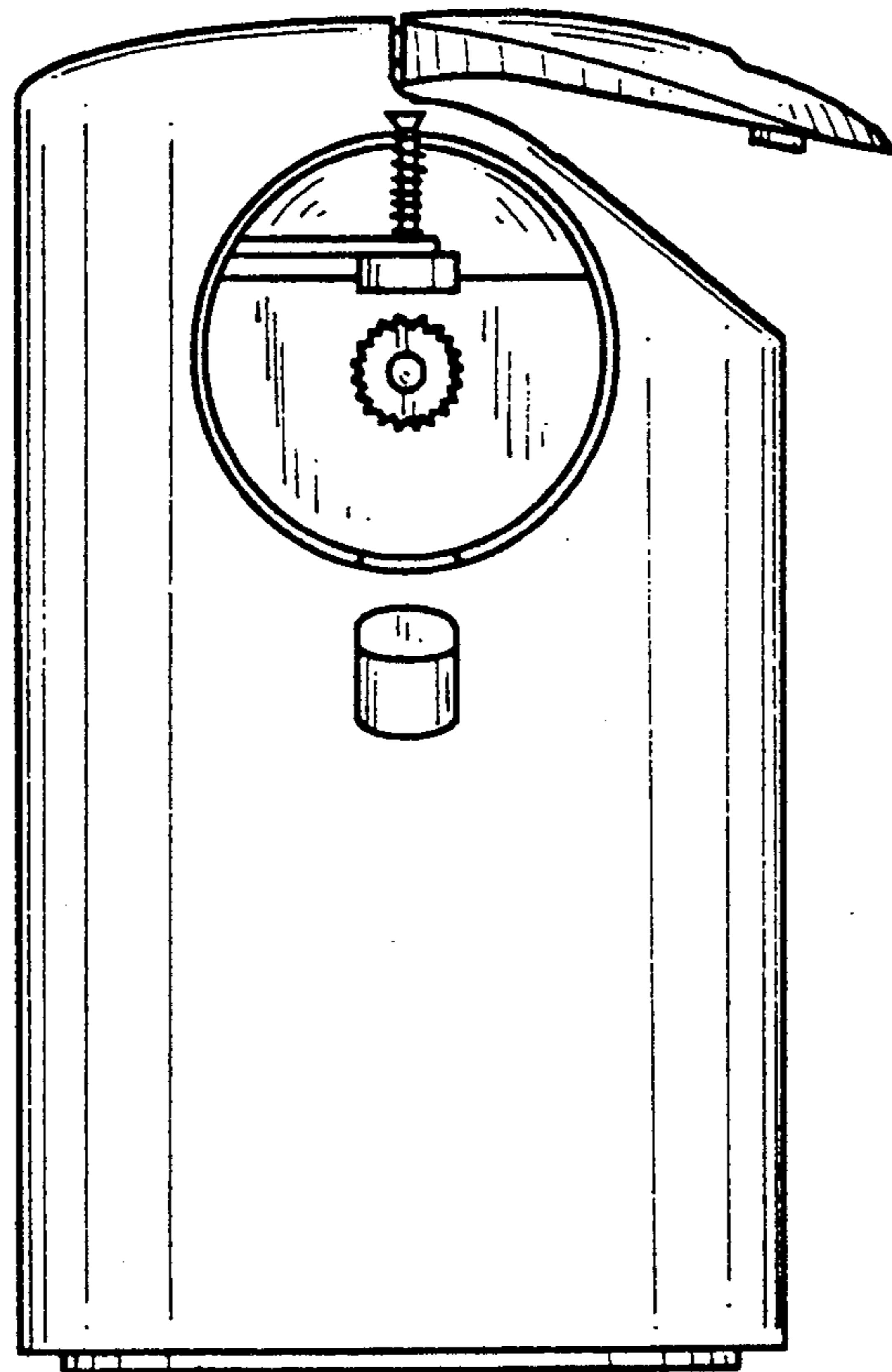


FIG. 2

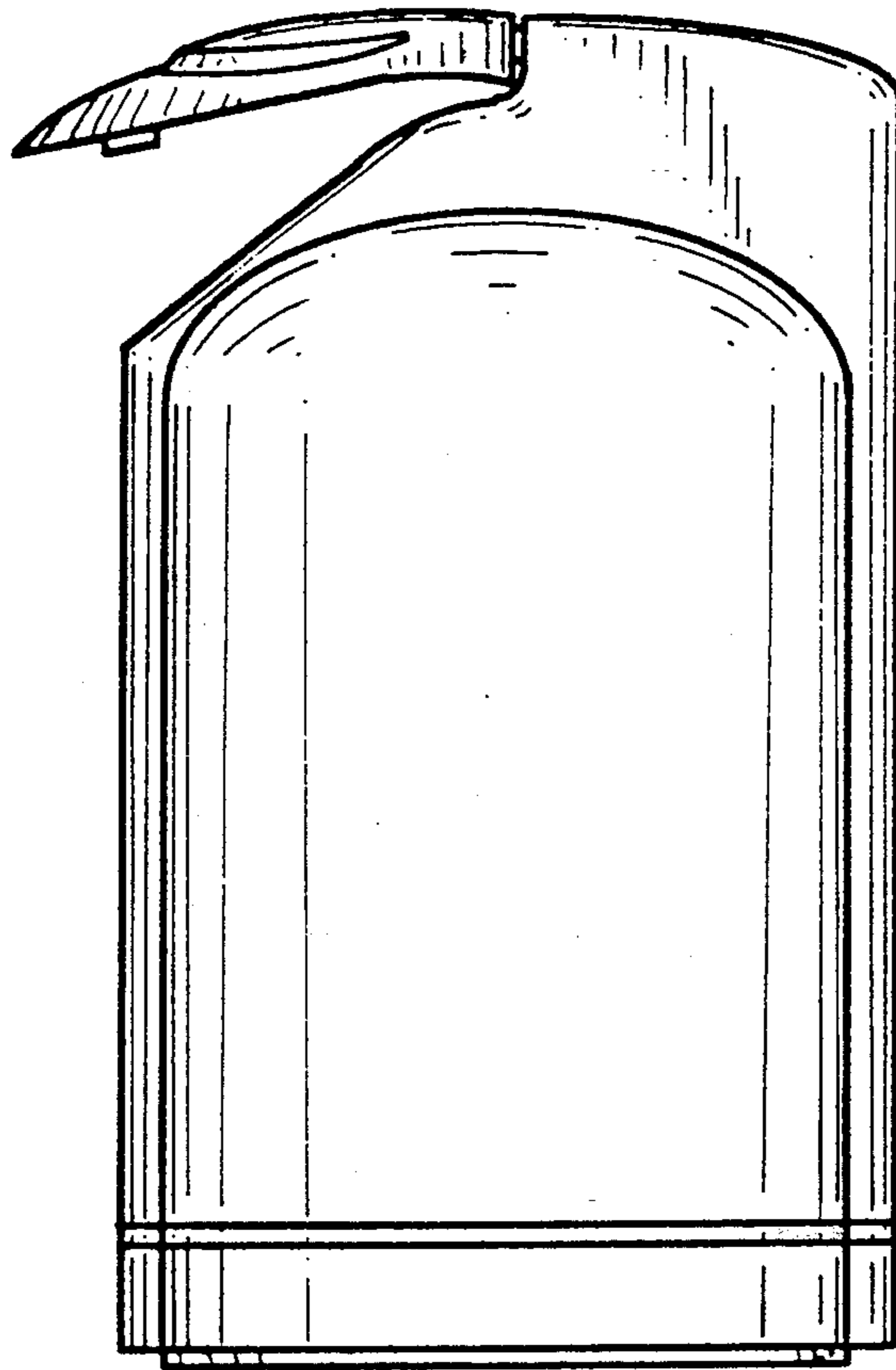


FIG. 3

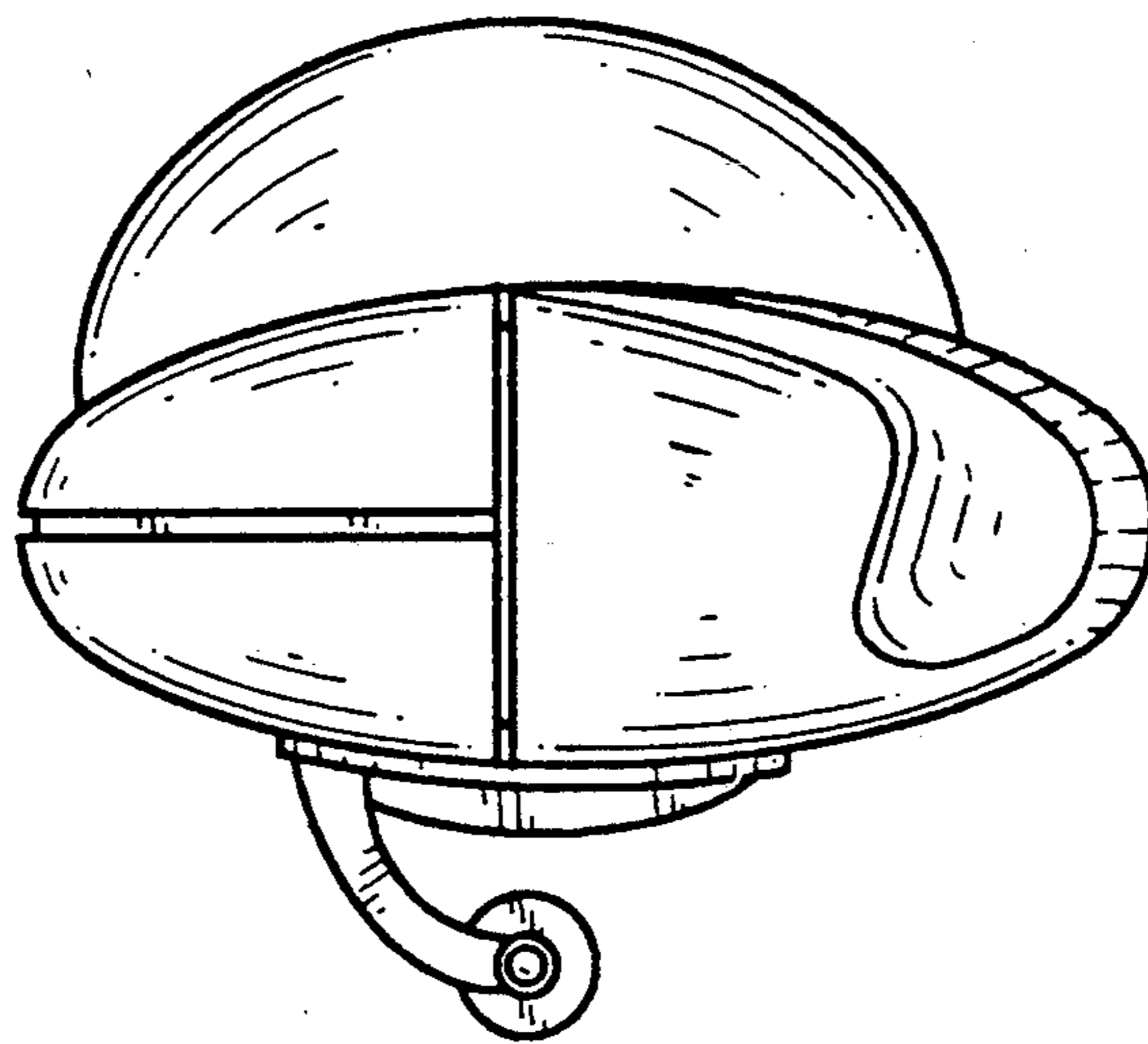


FIG. 4

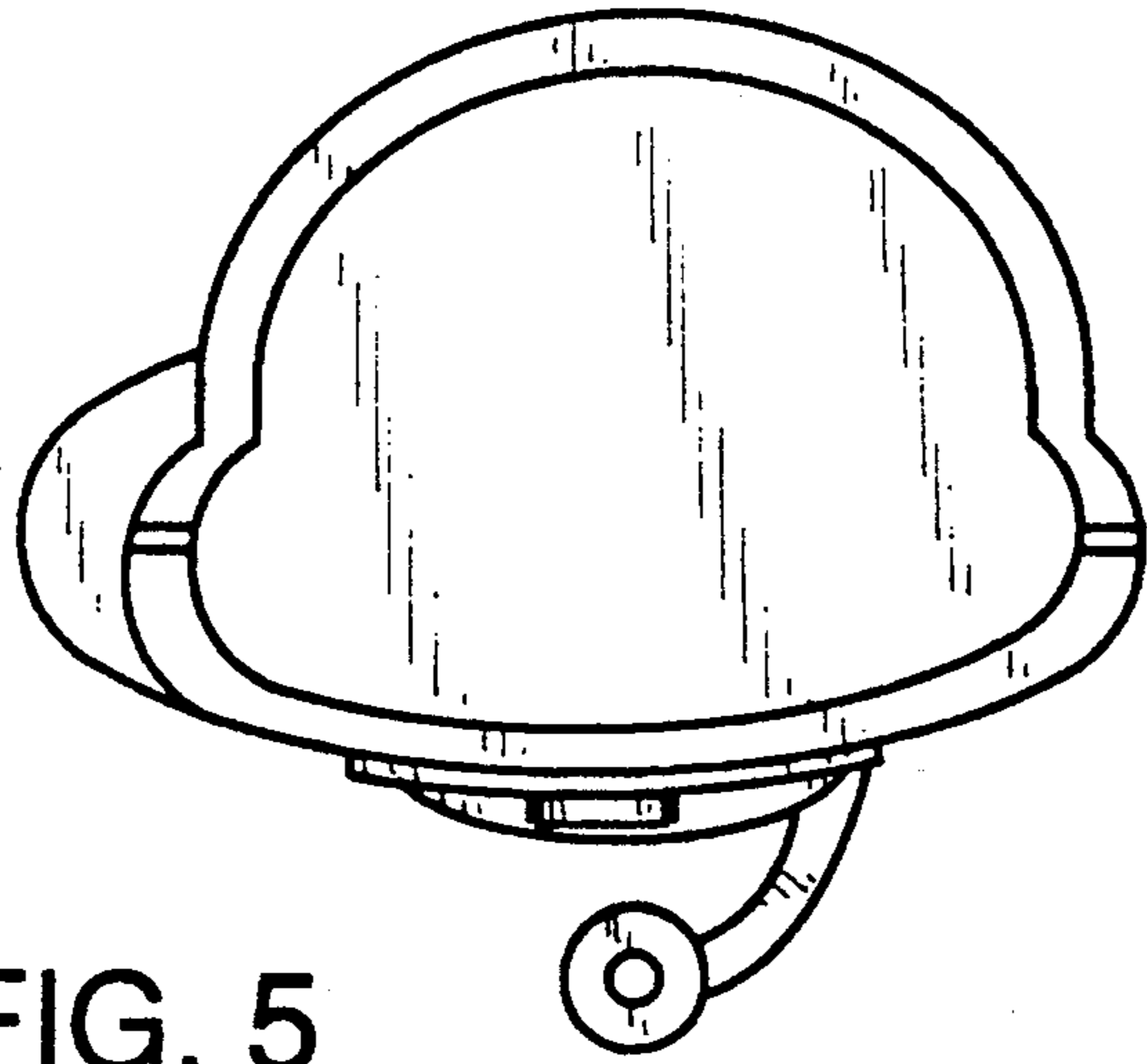


FIG. 5

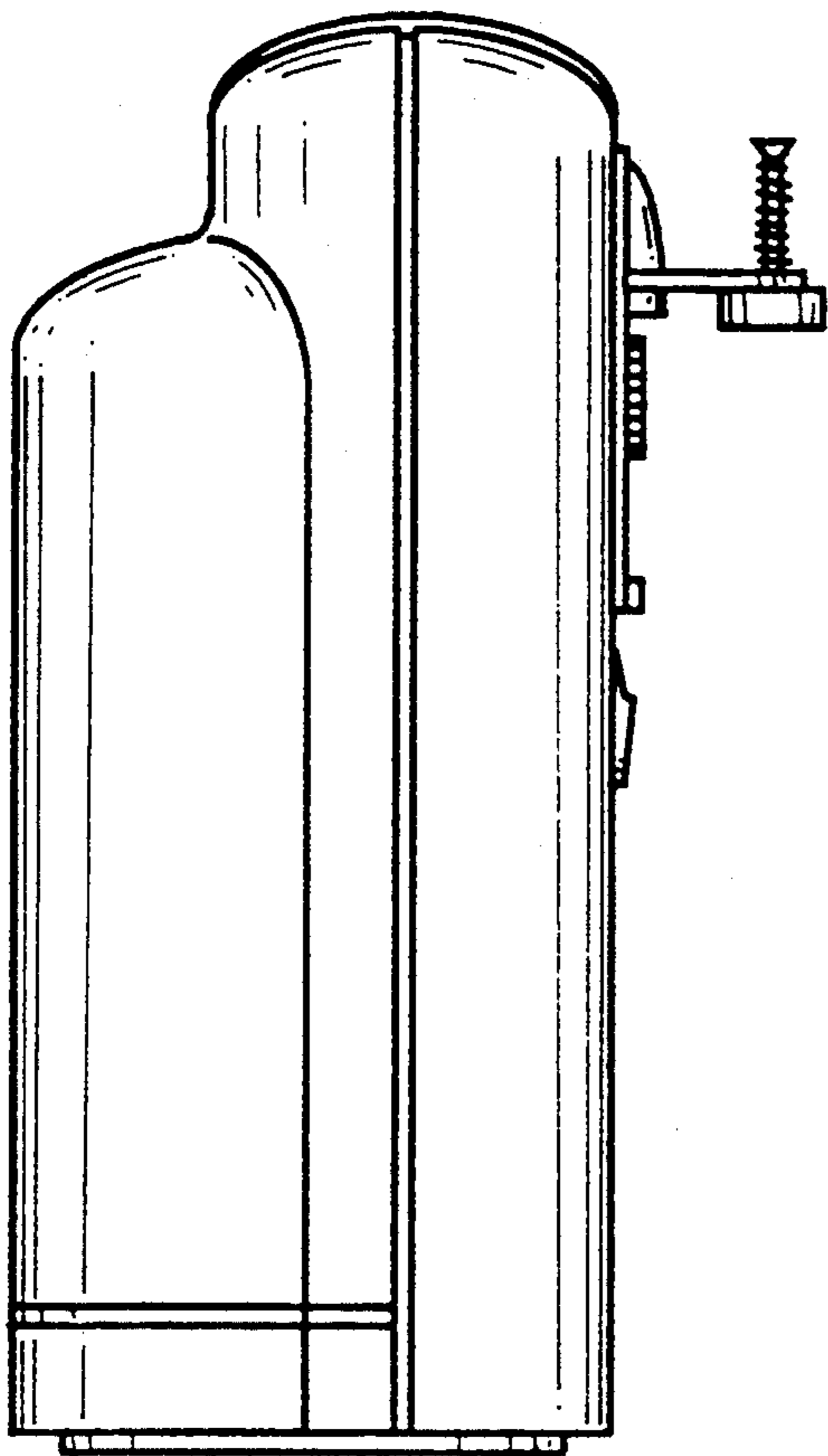


FIG. 6

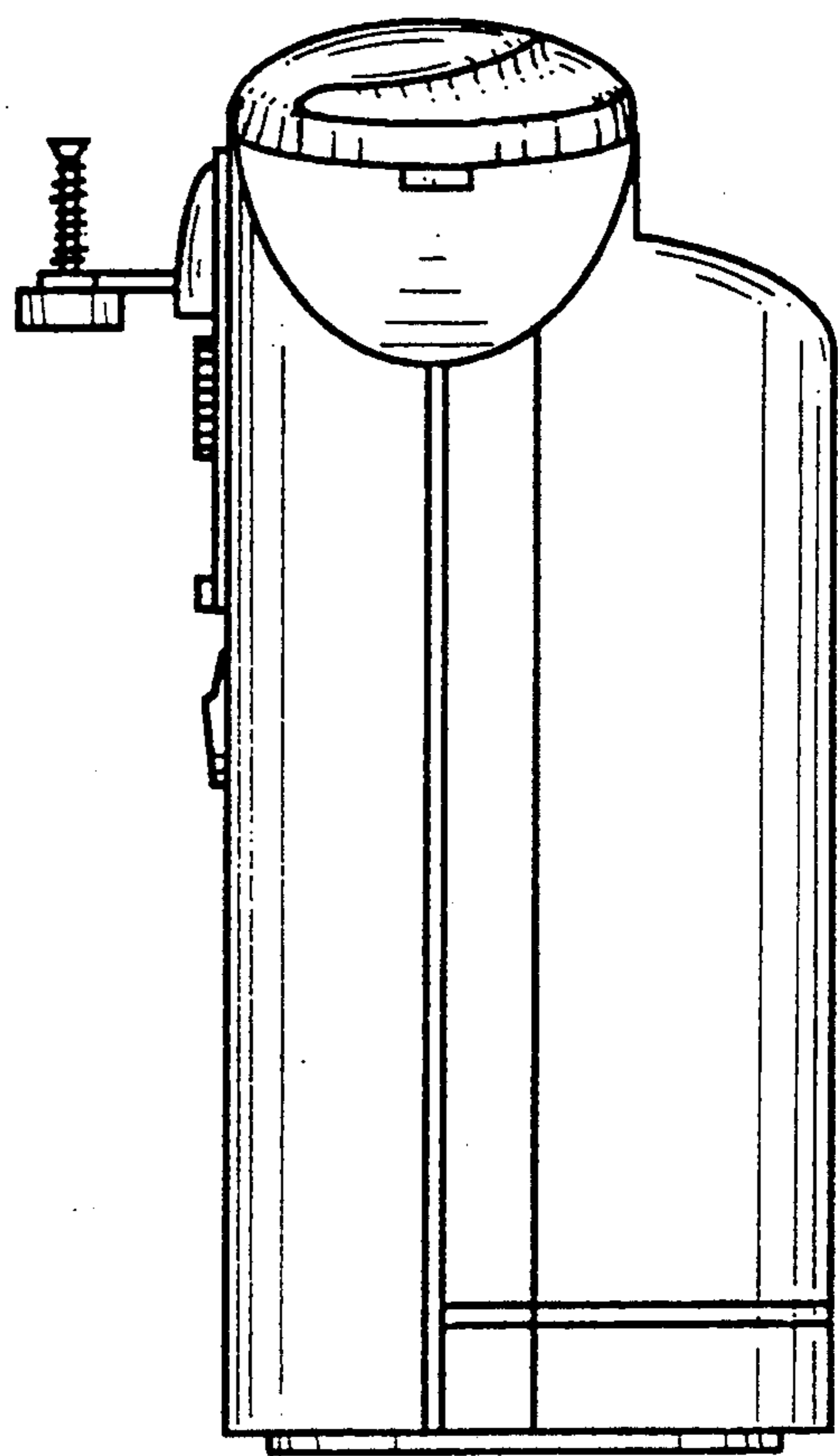


FIG. 7