



US00D362371S

United States Patent [19]

Williams et al.

[11] Patent Number: Des. 362,371

[45] Date of Patent: ** Sep. 19, 1995

[54] BEVERAGE CAN HOLDER

[76] Inventors: **Dave Williams**, 927 Groveton Ave., Glendora, Calif. 91740; **Gene Oglesbee**, 5724 Traymore Ave., Azusa, Calif. 91702; **Peter A. Latham**, 36 Harrison St., Brookline, Mass. 02146

[**] Term: 14 Years

[21] Appl. No.: 23,270

[22] Filed: May 20, 1994

[52] U.S. Cl. D7/622

[58] Field of Search D7/619-623;
D9/455; 215/101; 220/737, 738, 741, 742;
248/311.2, 312, 312.1, 314, 145.6, 154;
294/27.1, 29, 31.2, 32, 33

[56] References Cited

U.S. PATENT DOCUMENTS

- D. 350,069 8/1994 Quarberg et al. D7/622 X
- 2,344,186 3/1944 Upham .
- 2,676,832 4/1954 Keiter .
- 3,013,691 12/1961 Prentice .
- 3,029,975 4/1962 Aiello .
- 3,074,678 1/1963 Mele .
- 3,261,635 7/1966 Taley .
- 3,443,829 5/1969 Lohmeyer .
- 4,602,723 7/1986 DeMars .

- 4,898,297 2/1990 Wheeler .
- 4,993,675 2/1991 Walker D7/622 X

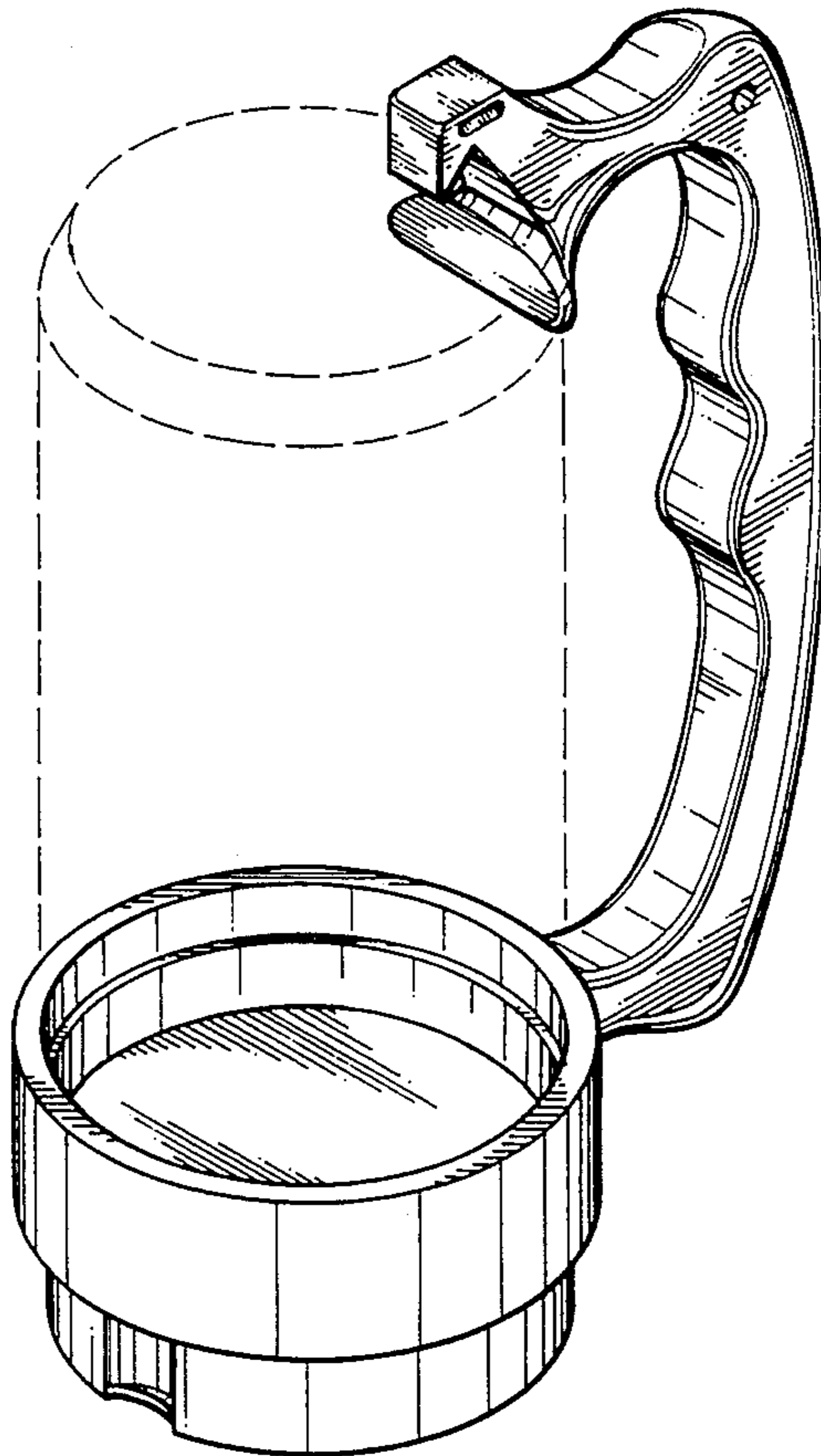
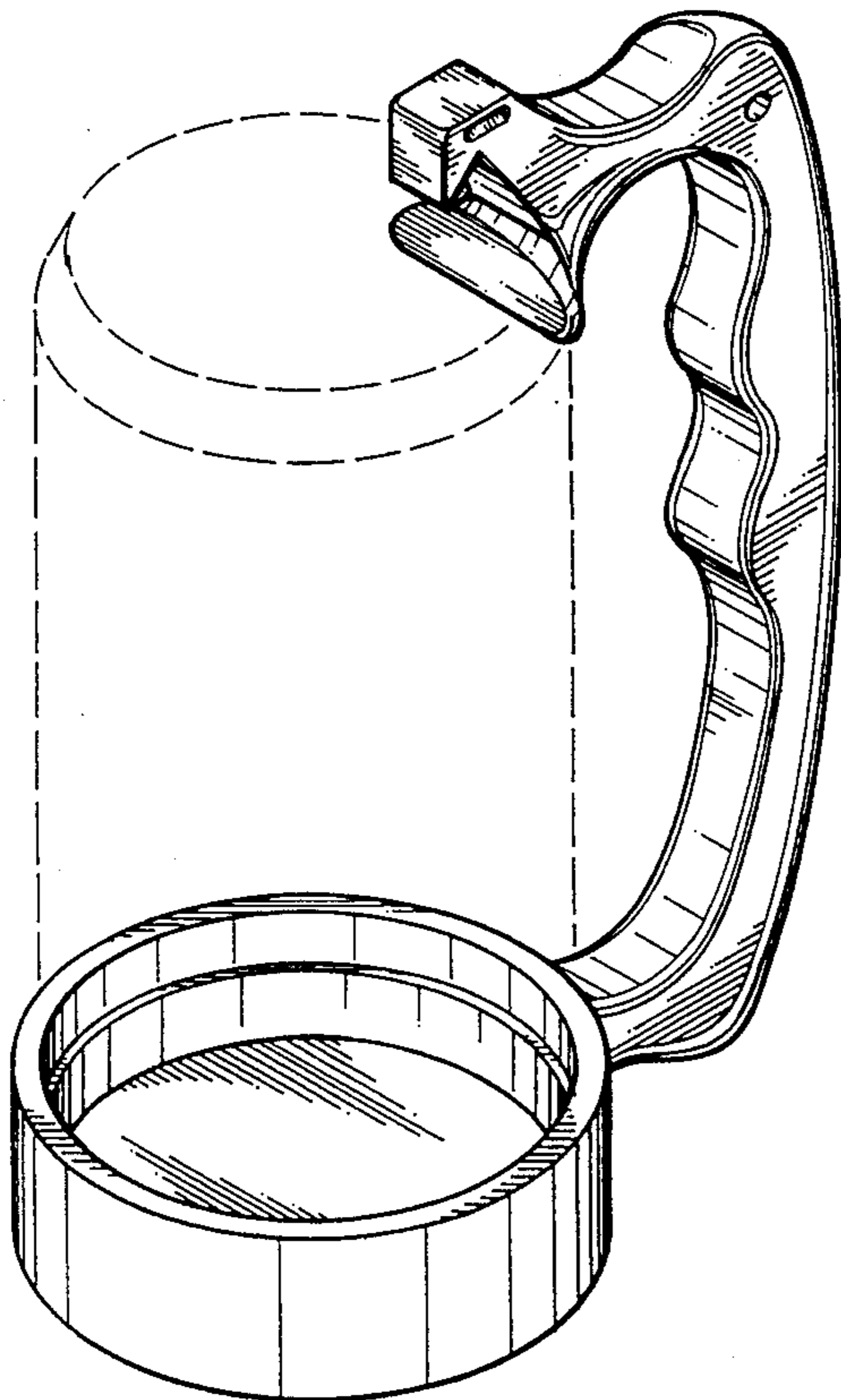
Primary Examiner—Terry A. Wallace
Attorney, Agent, or Firm—Richard C. Litman

[57] CLAIM

The ornamental design for a beverage can holder, as shown and described.

DESCRIPTION

FIG. 1 is a perspective view of a beverage can holder showing our new design;
 FIG. 2 is a right side elevational view with the left side being a mirror image thereof;
 FIG. 3 is a front elevational view thereof;
 FIG. 4 is a rear elevational view thereof;
 FIG. 5 is a top view thereof;
 FIG. 6 is a perspective view of an alternate embodiment of FIG. 1;
 FIG. 7 is a right side elevational view of FIG. 6, the left side being a mirror image;
 FIG. 8 is a front elevation view of FIG. 6;
 FIG. 9 is a rear elevational view of FIG. 6; and,
 FIG. 10 is a top plan view of FIG. 6.
 The undisclosed bottom view of both embodiments is unornamented. The broken lines showing the can in FIGS. 1 and 6 and the advertisement flag in FIGS. 2 and 3 are for illustrative purposes only and form no part of the claimed design.



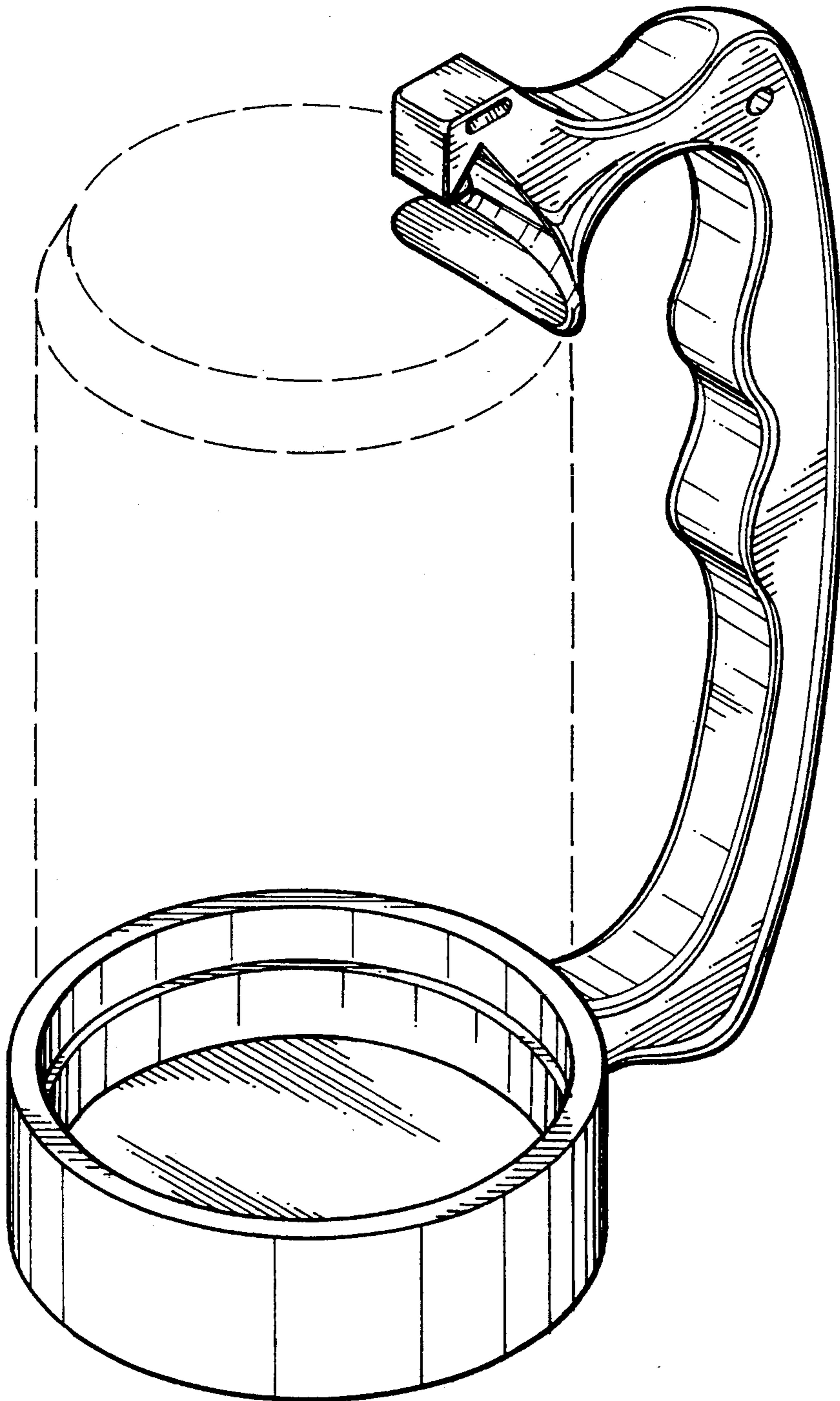


FIG. 1

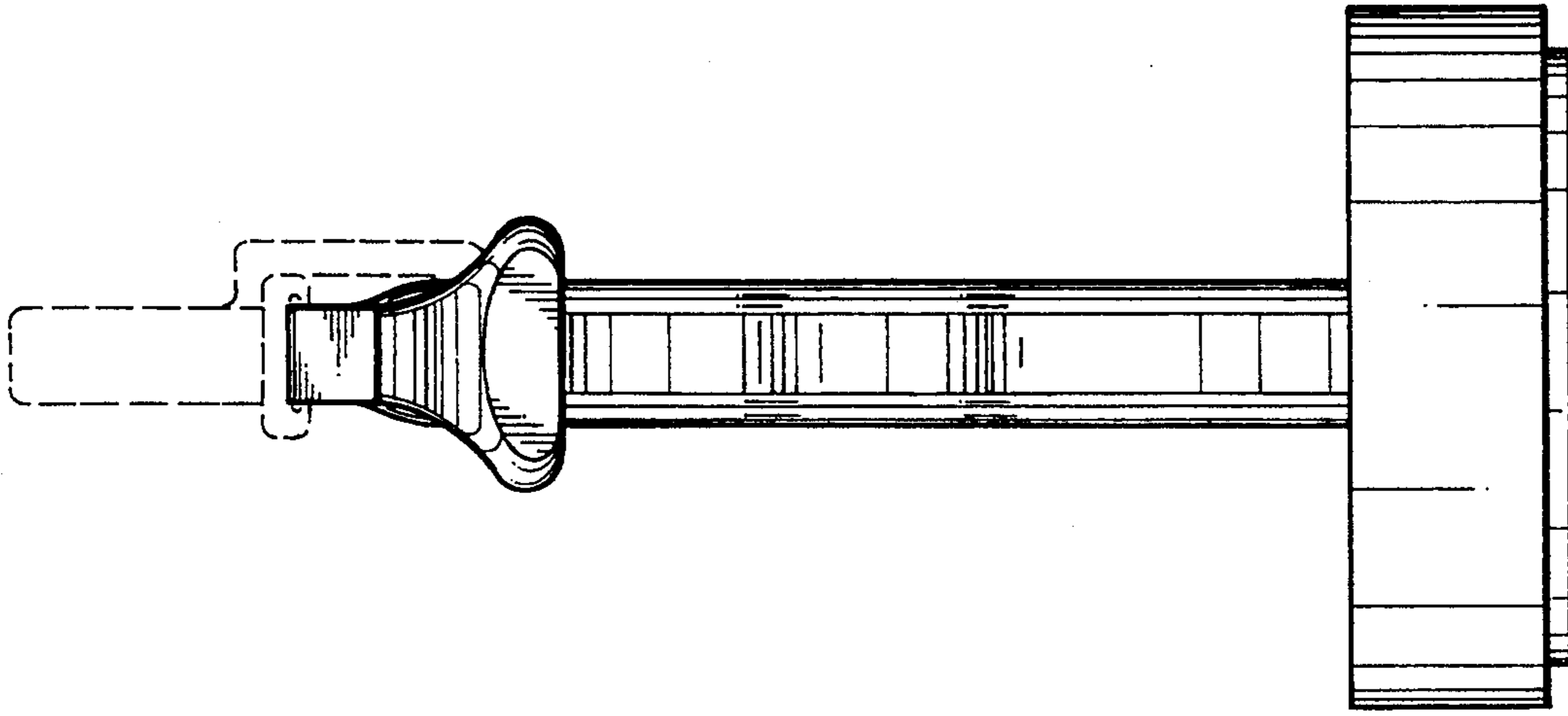


FIG. 3

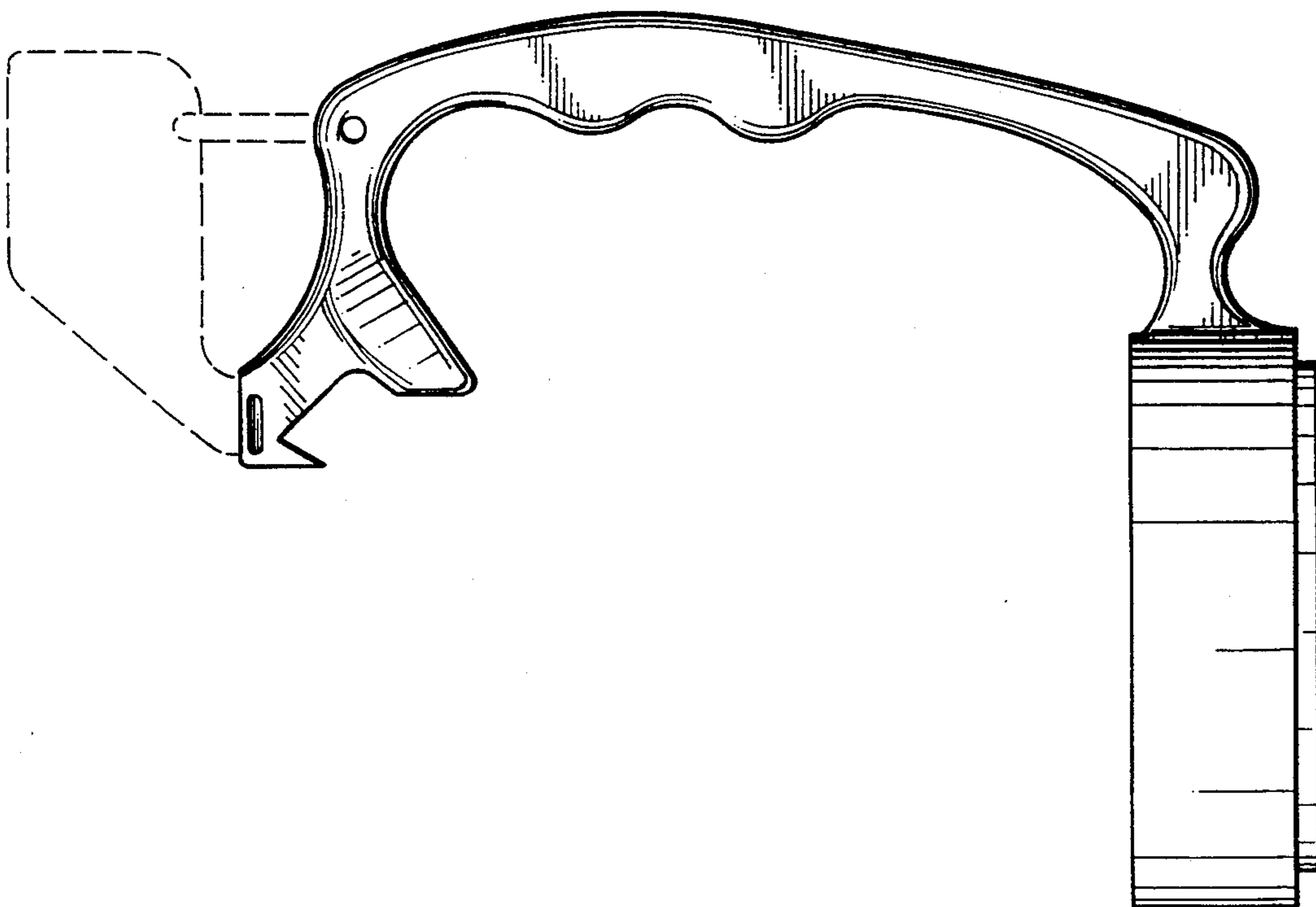


FIG. 2

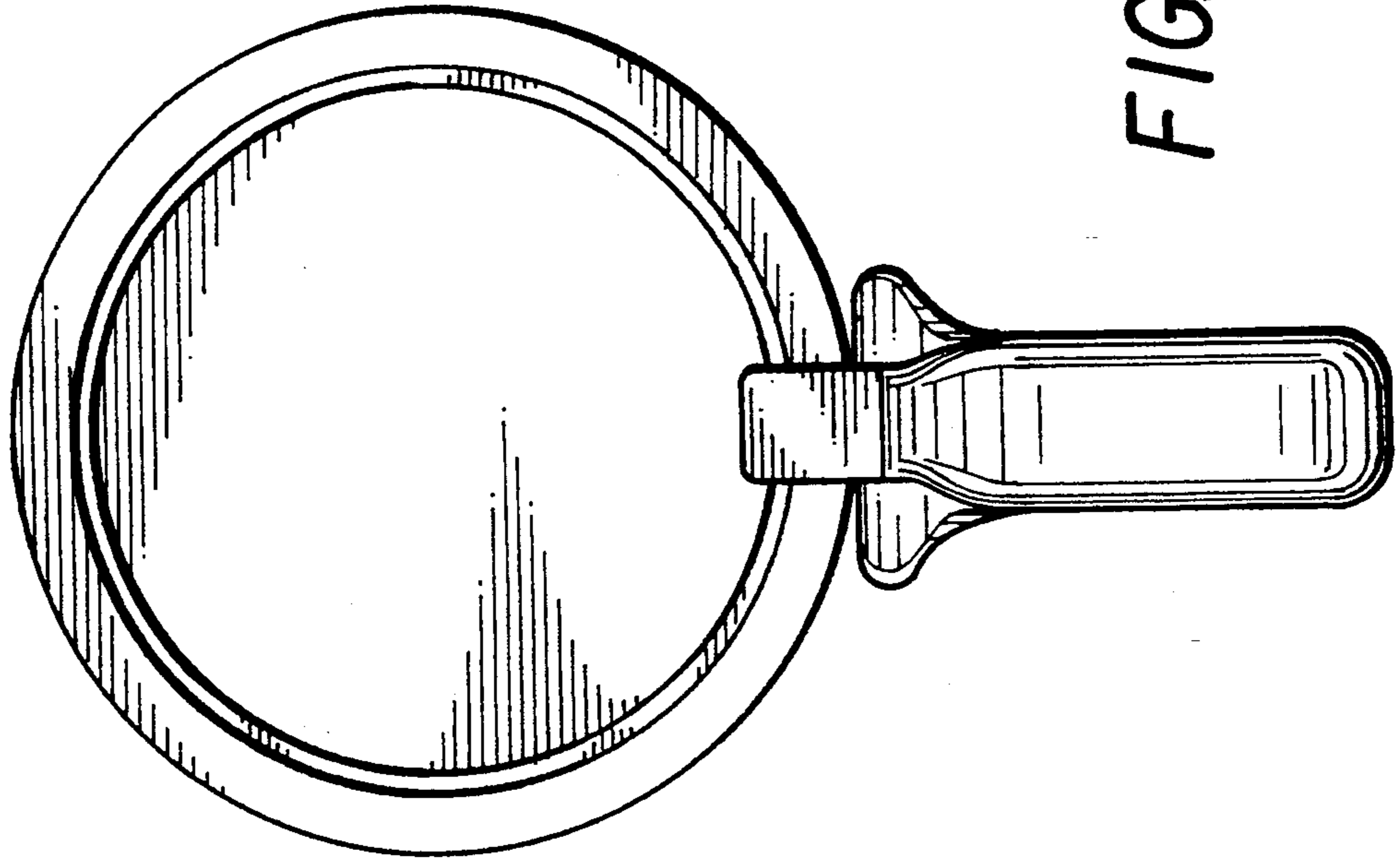


FIG. 5

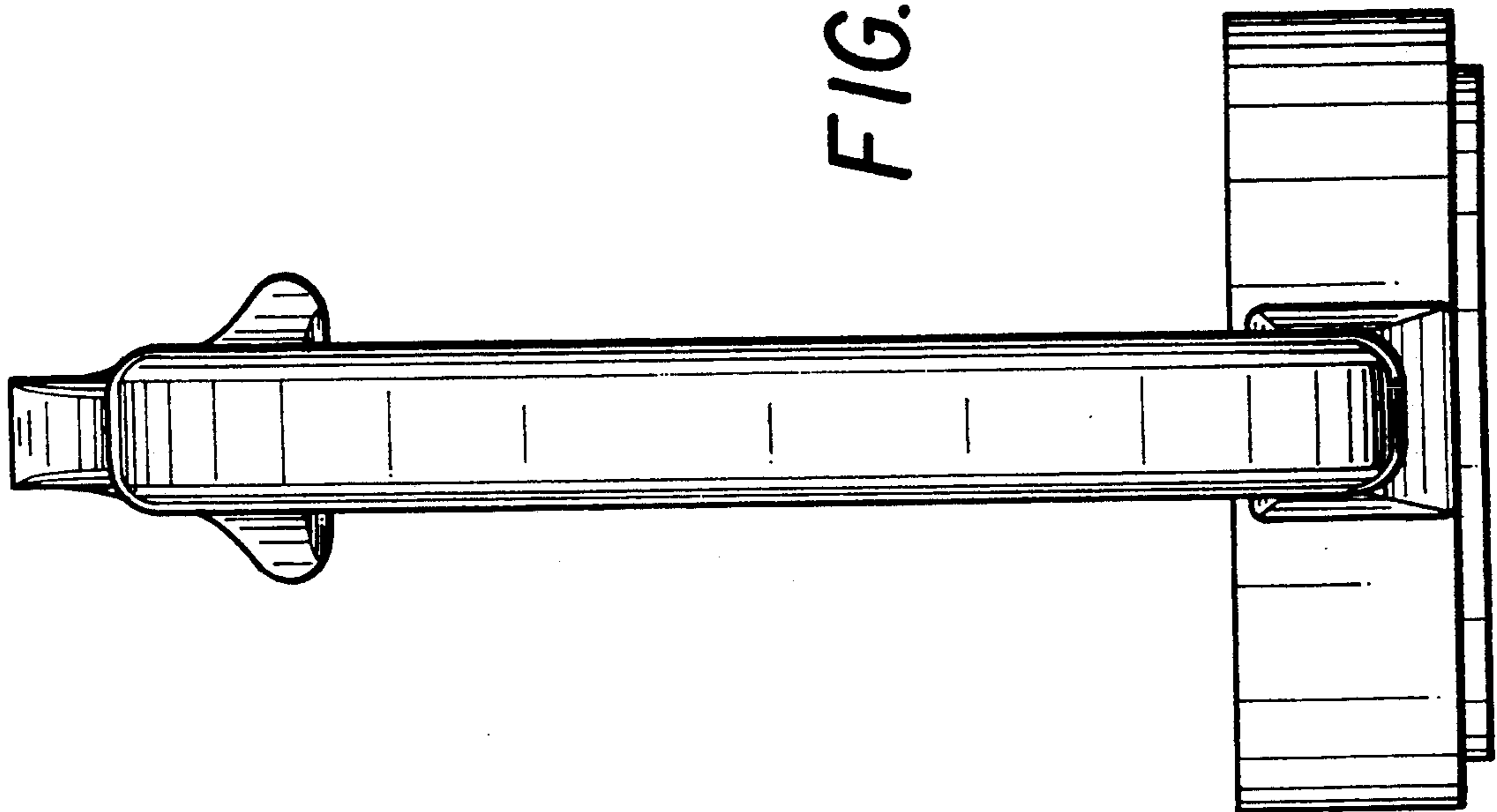


FIG. 4

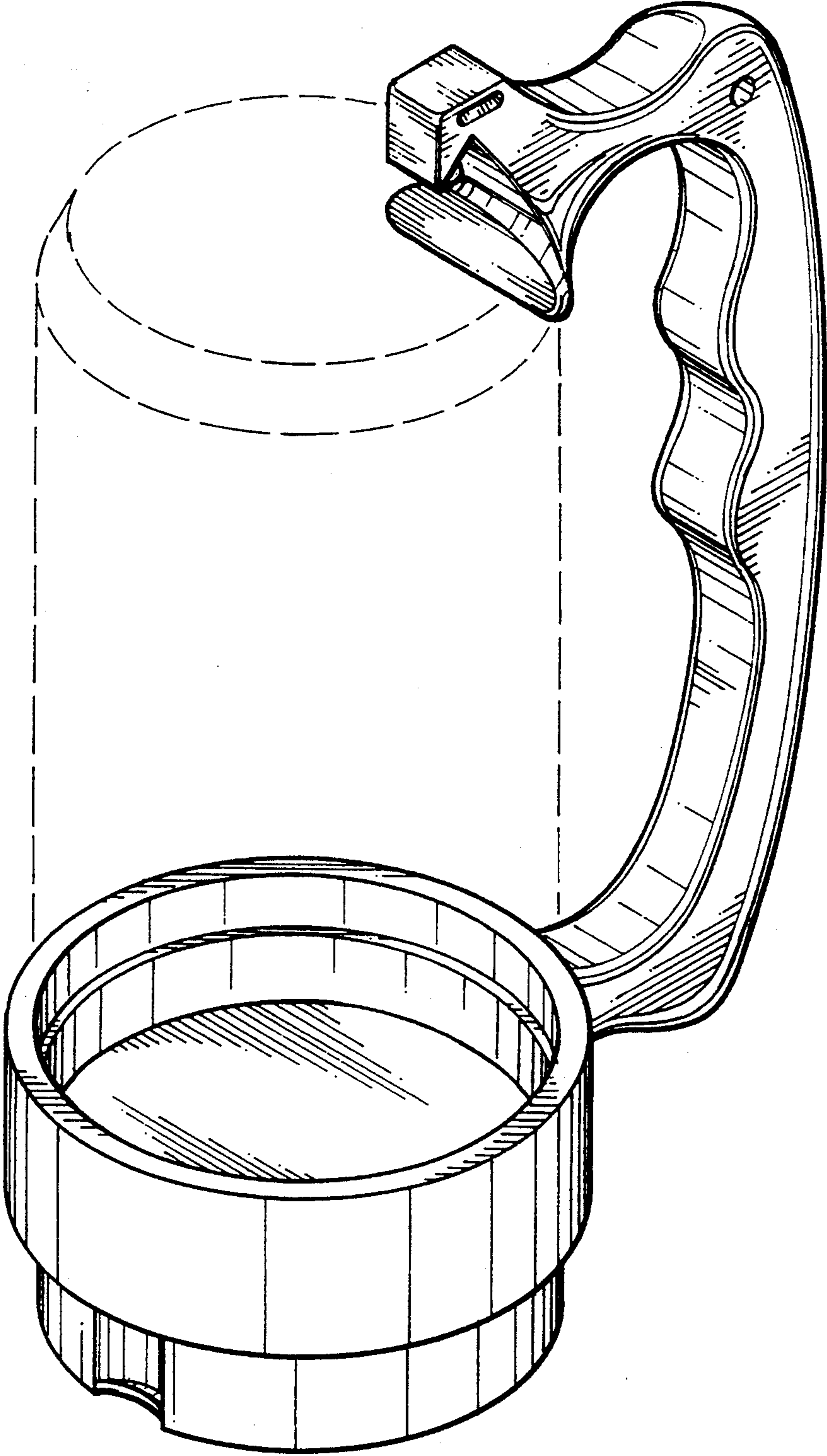


FIG. 6

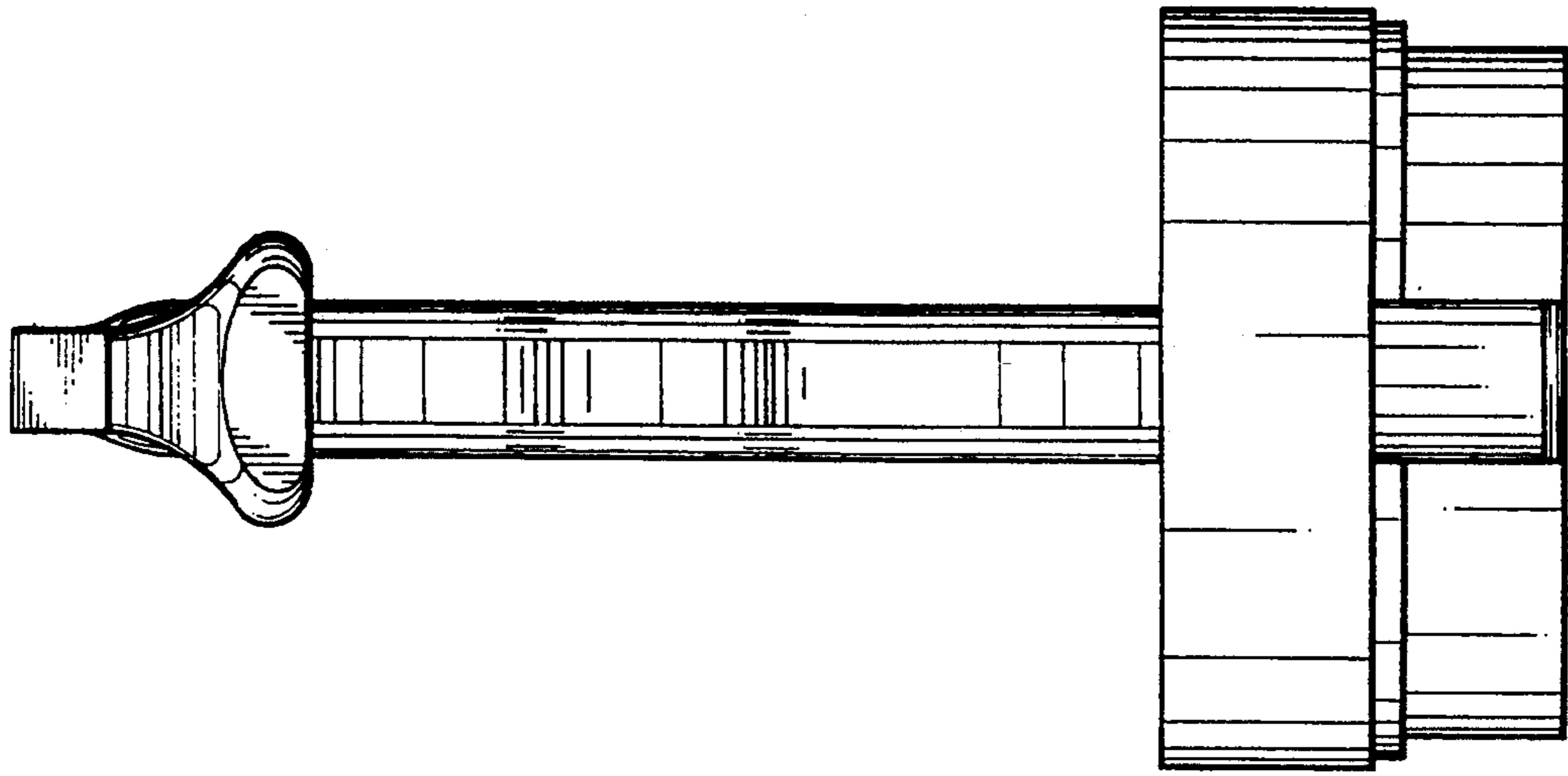


FIG. 8

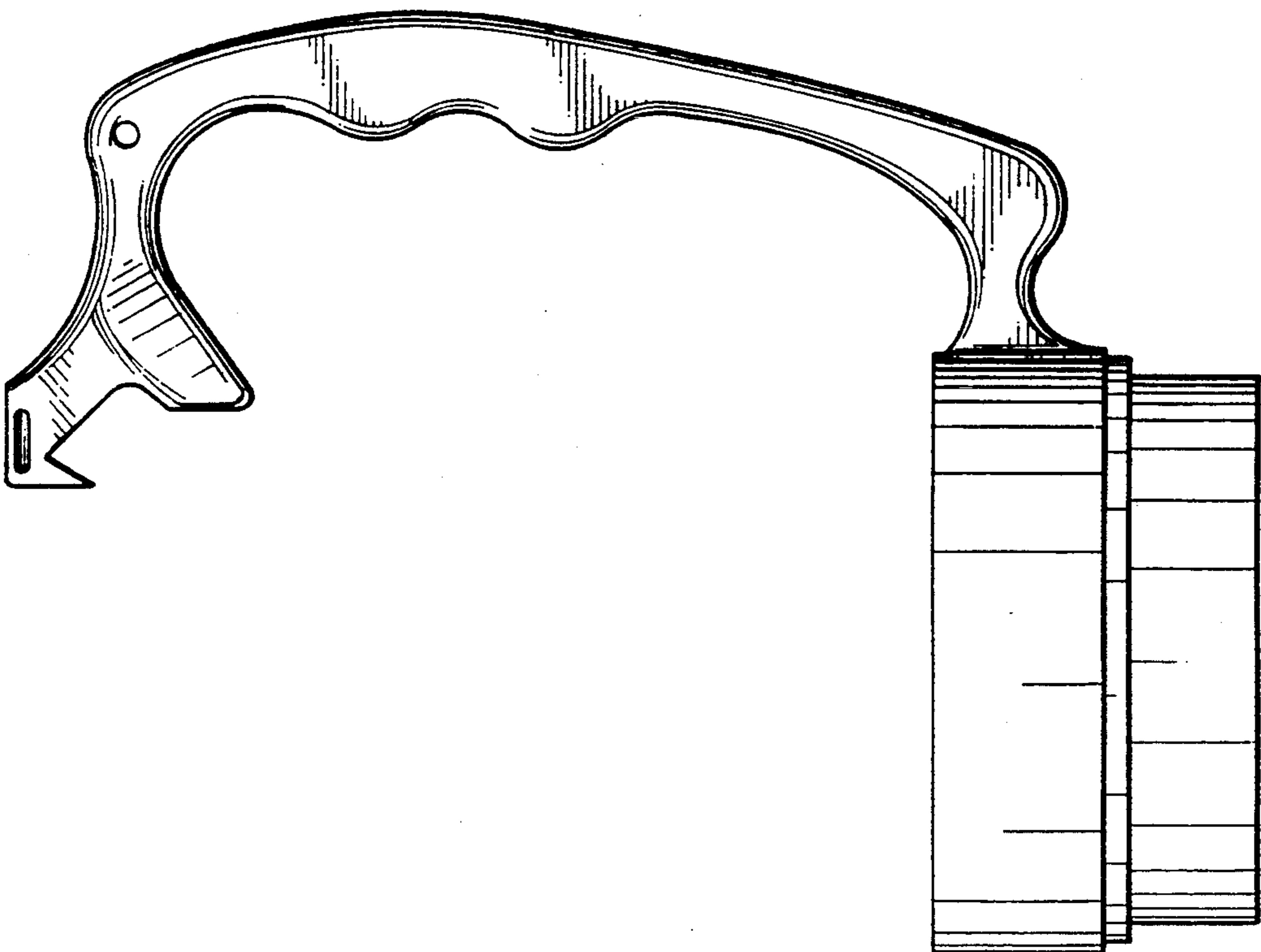


FIG. 7

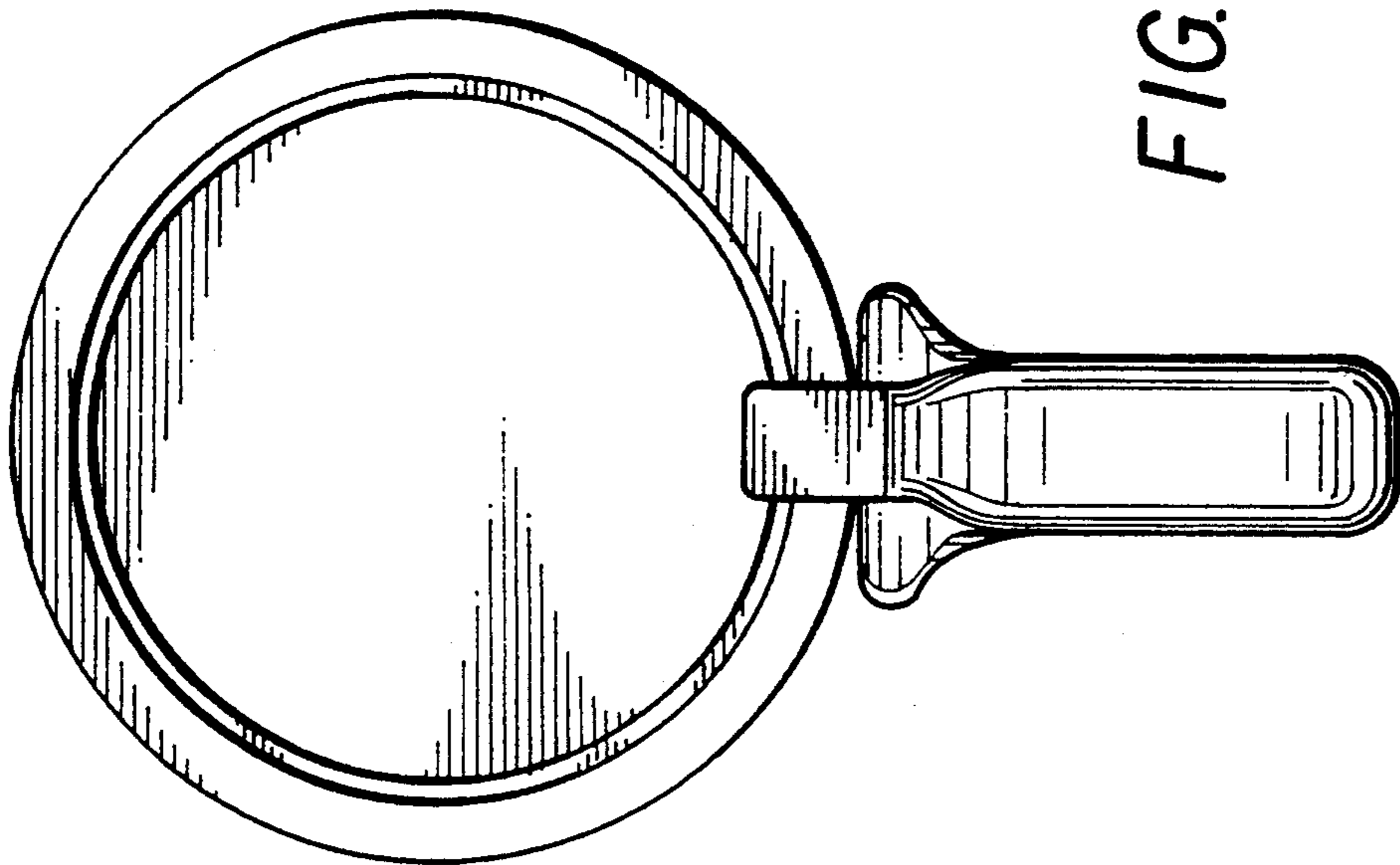


FIG. 9

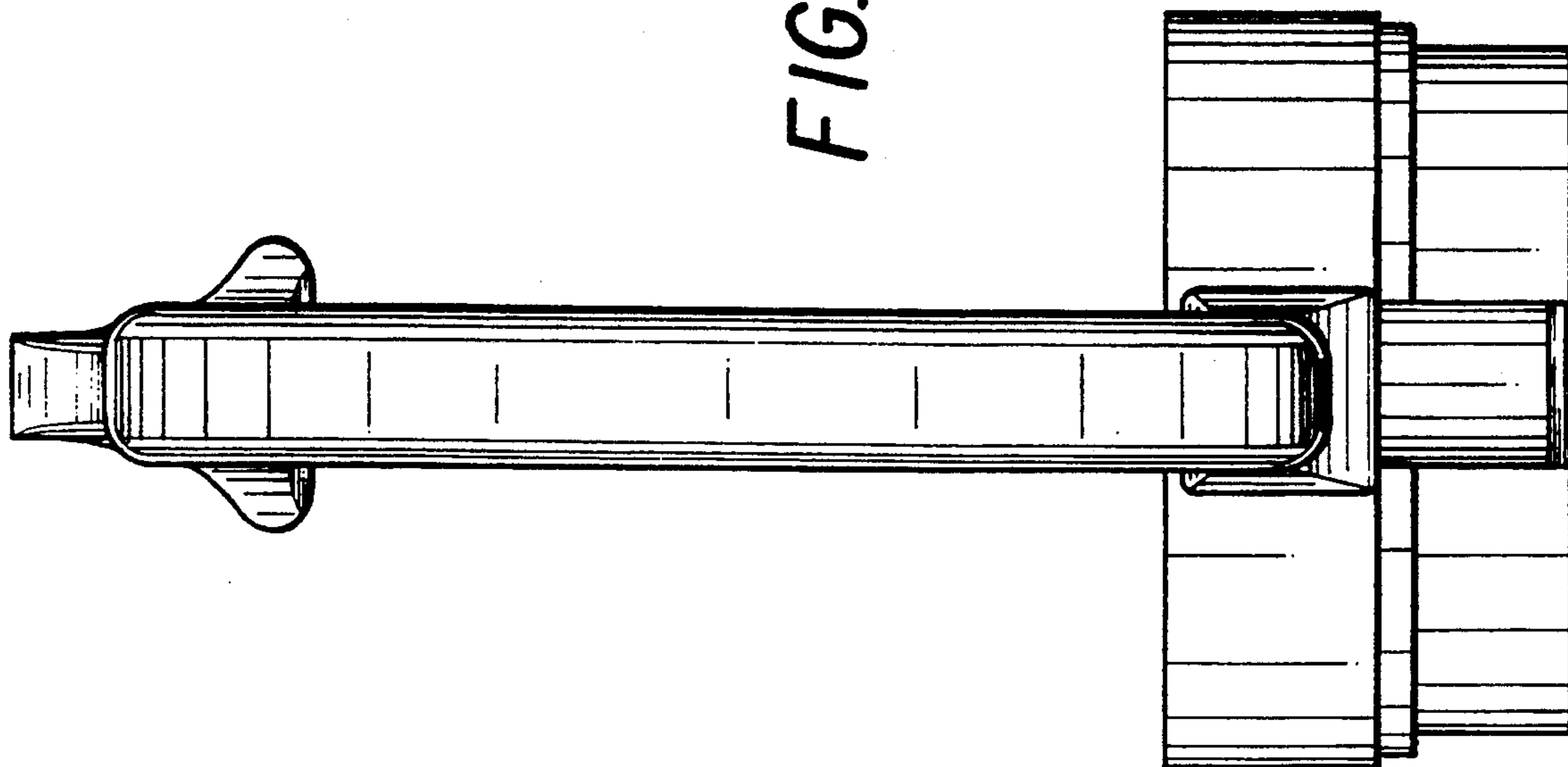


FIG. 10