



US00D362369S

United States Patent [19]

[11] Patent Number: Des. 362,369

Bridges

[45] Date of Patent: ** Sep. 19, 1995

[54] BEVERAGE MUG

[75] Inventor: John A. Bridges, Nashville, Tenn.

[73] Assignee: Aladdin Synergetics, Inc., Nashville, Tenn.

[**] Term: 14 Years

[21] Appl. No.: 7,974

[22] Filed: May 7, 1993

[52] U.S. Cl. D7/536; D7/532

[58] Field of Search D7/509, 510, 511, 512, D7/514, 315, 523, 529, 532, 533, 536; 220/669, 670, 672, 674; D9/500, 502

2,905,350	9/1959	Edwards .
3,009,603	11/1961	Stockdale .
3,035,623	5/1962	Goetz .
3,372,830	3/1968	Edwards .
3,372,830	12/1993	Edwards .
3,684,123	8/1972	Bridges .
3,836,063	9/1974	Sutch .
4,193,494	3/1980	Green .
4,420,081	12/1983	Dart .
4,974,741	12/1990	Gustafson et al. .
5,067,622	11/1991	Garver et al. .
5,344,040	9/1994	Schaeppi .

OTHER PUBLICATIONS

Glass, Goldschmiede-Zeitung European Jeweler, Nov. 1973 p. 50.

Coffee Mug for Lauder Beauty Fashion, Aug. 1988 p. 73.

Kessler Sales Corporation Product Brochure. Patented Dec. 4, 1990.

Primary Examiner—Alan P. Douglas

Assistant Examiner—M. N. Pandozzi

Attorney, Agent, or Firm—Sandler, Greenblum & Bernstein

[56] References Cited

U.S. PATENT DOCUMENTS

D. 15,058	6/1884	Otto .	
D. 65,527	9/1924	Graham	D7/532
D. 67,738	7/1923	Bell	D7/532
D. 69,175	1/1926	Fisher	D7/532
D. 70,476	6/1926	Heisey	D7/532
D. 113,230	2/1939	Karstadt	D7/532
D. 155,289	9/1949	Hoople	D7/536
D. 159,599	8/1950	Chaplin .	
D. 198,139	5/1964	Edwards .	
D. 210,570	3/1968	Campbell	D9/502
D. 234,108	1/1975	Achenbach .	
D. 242,416	11/1976	Achenbach .	
D. 263,916	4/1982	Reece	D7/510
D. 293,293	12/1987	Isles	D7/536 X
D. 304,889	12/1989	Symeist	D7/536
D. 321,626	11/1991	Kouts	D7/510
D. 342,189	12/1993	Smith et al.	D7/510
D. 346,308	4/1994	Cautereel et al.	D7/509
D. 346,933	5/1974	Denny et al.	D7/533 X
2,859,557	11/1958	Lattuca .	

[57] CLAIM

The ornamental design for a beverage mug, as shown and described.

DESCRIPTION

FIG. 1 is a front elevational view of a beverage mug showing my new design;
 FIG. 2 is a rear elevational view thereof;
 FIG. 3 is a top plan view thereof;
 FIG. 4 is a bottom plan view thereof; and,
 FIG. 5 is a longitudinal cross-sectional view taken along the line 5—5 of FIG. 2.

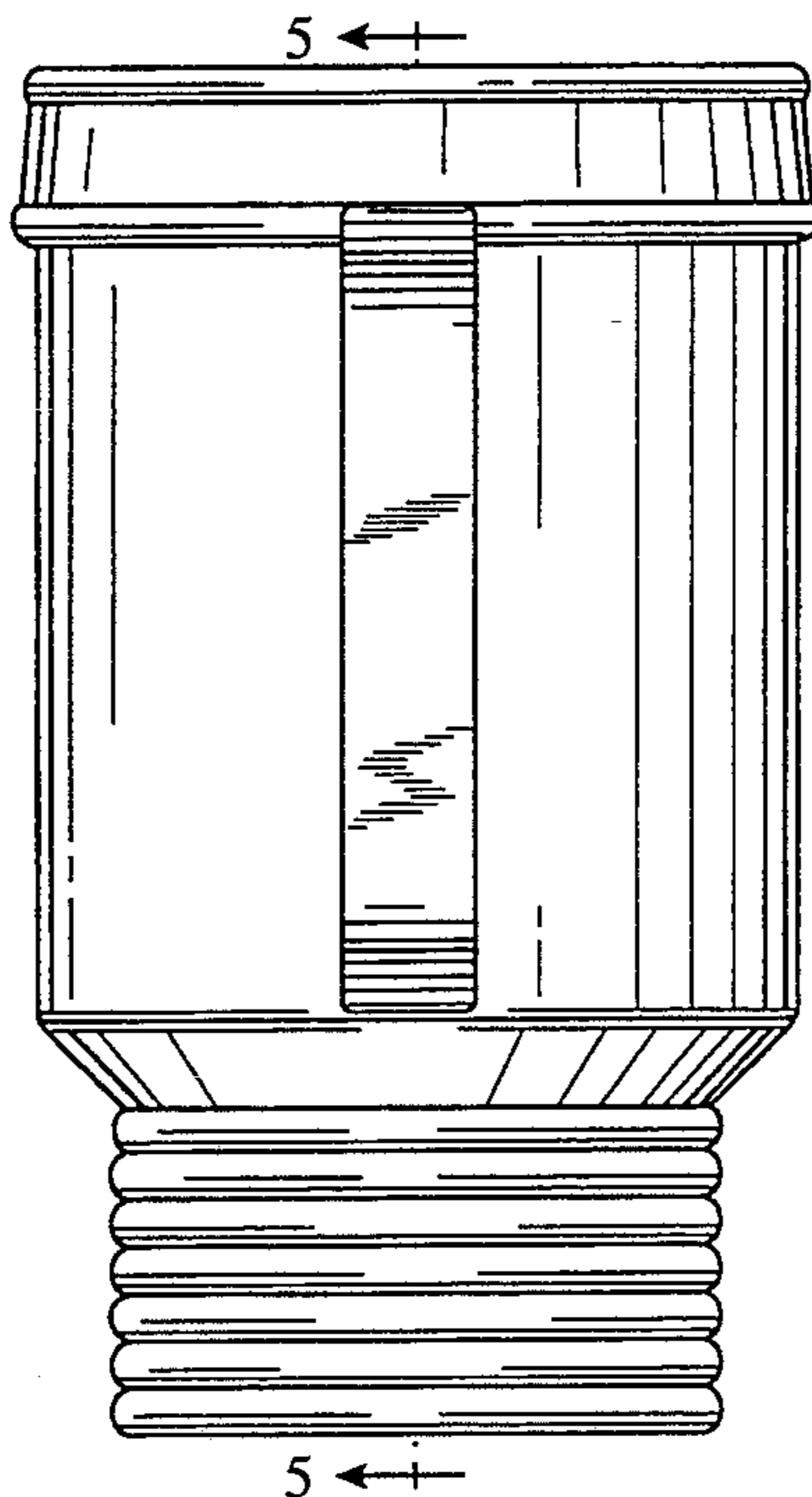


FIG. 2

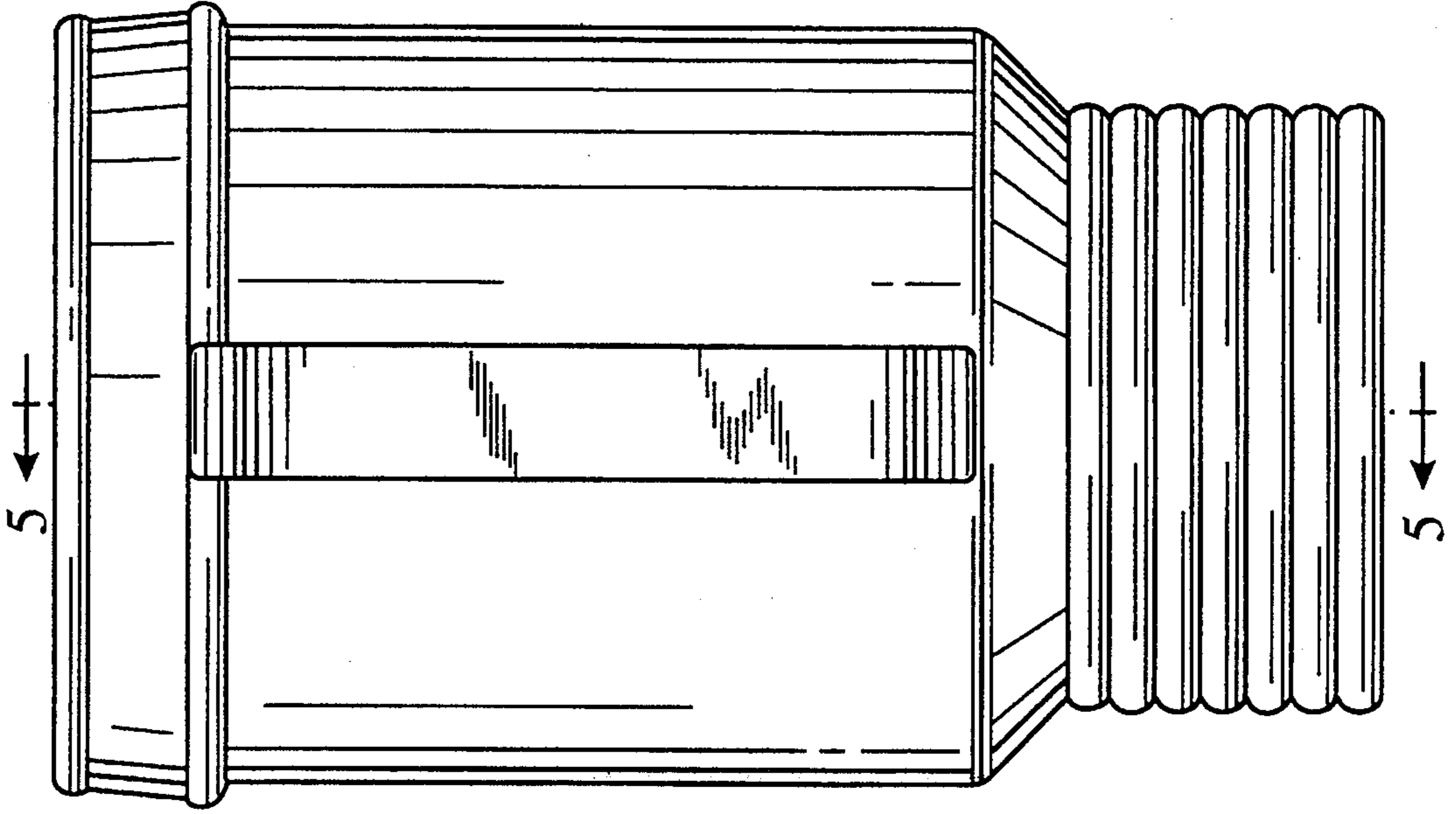


FIG. 1

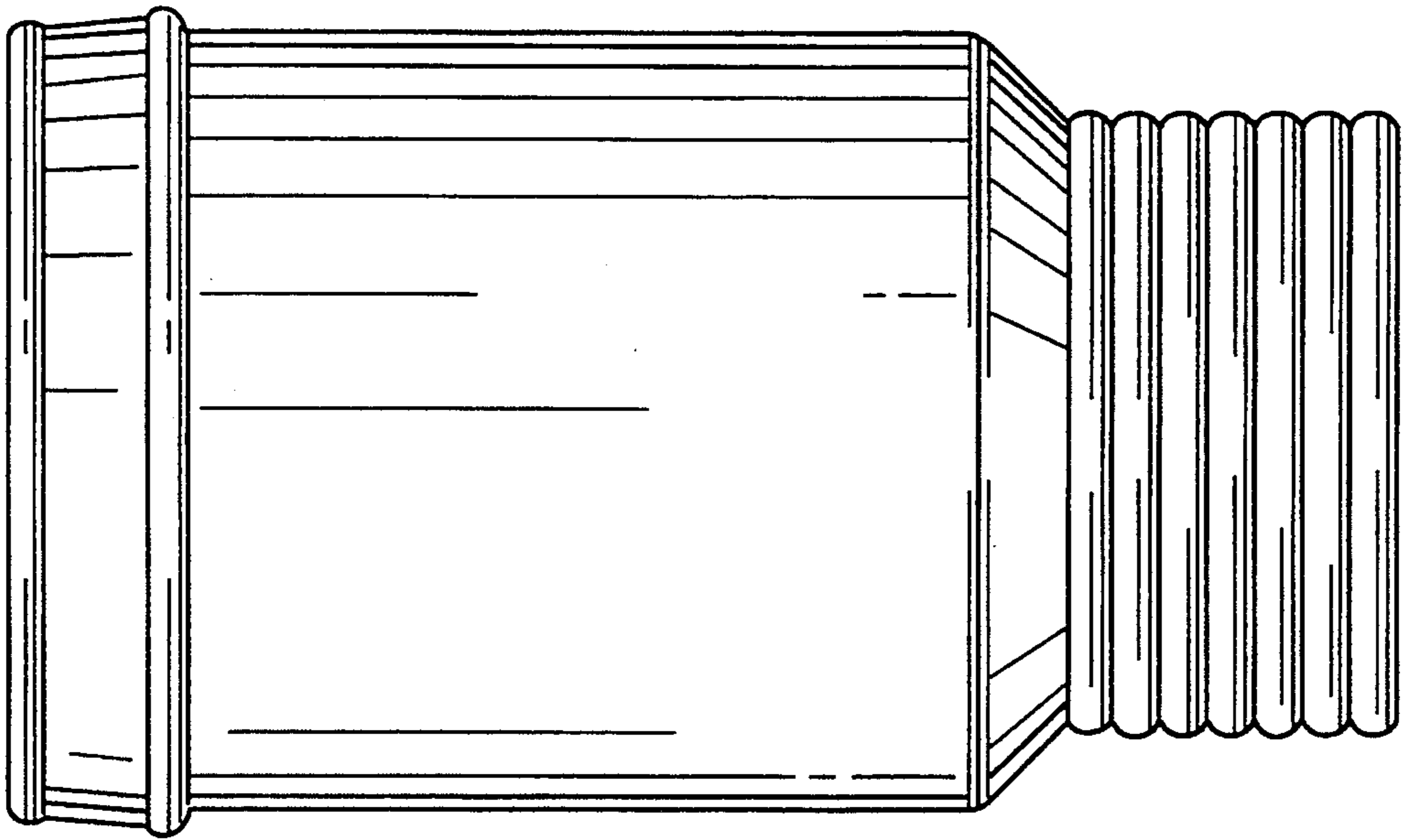


FIG. 3

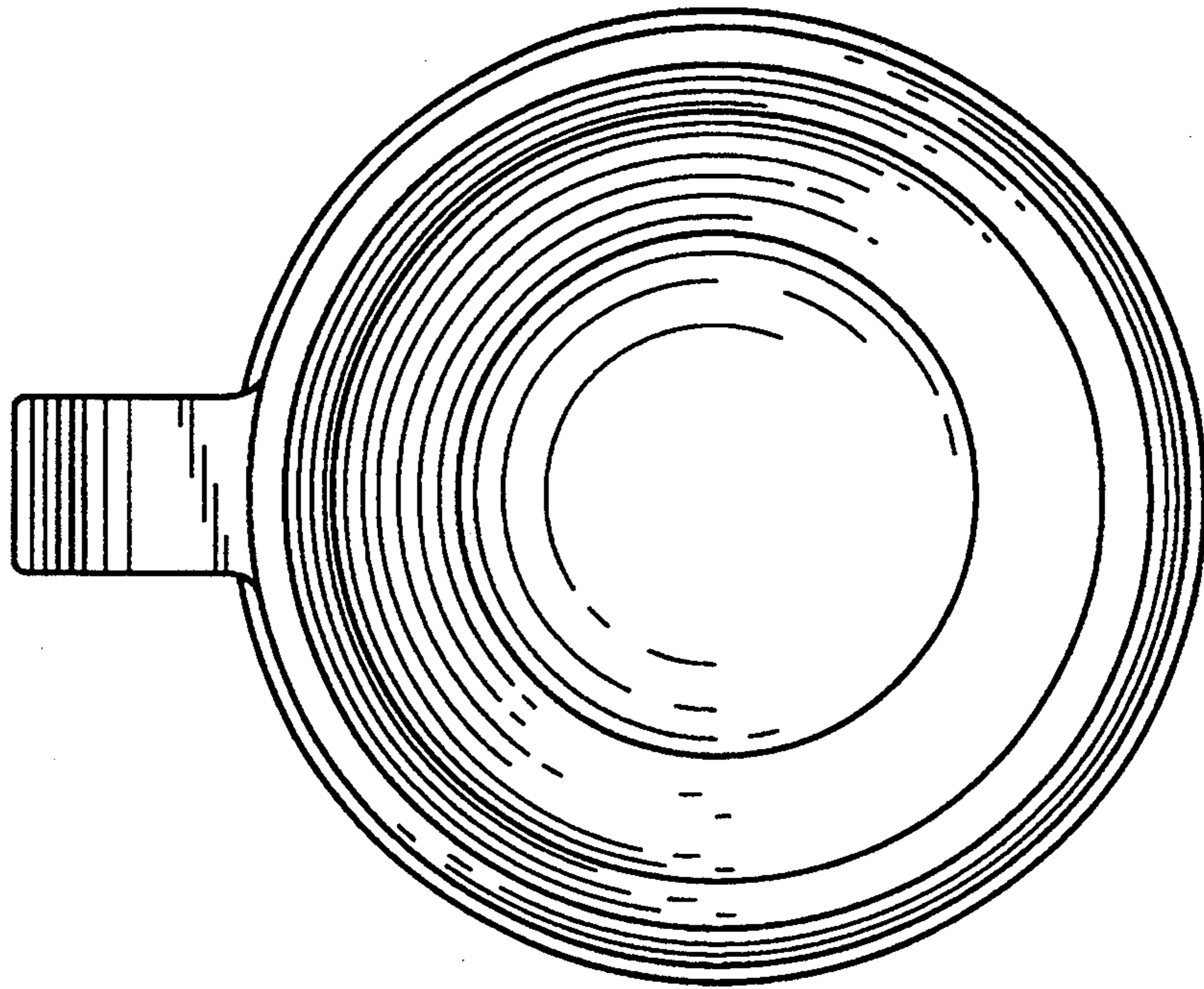


FIG. 4

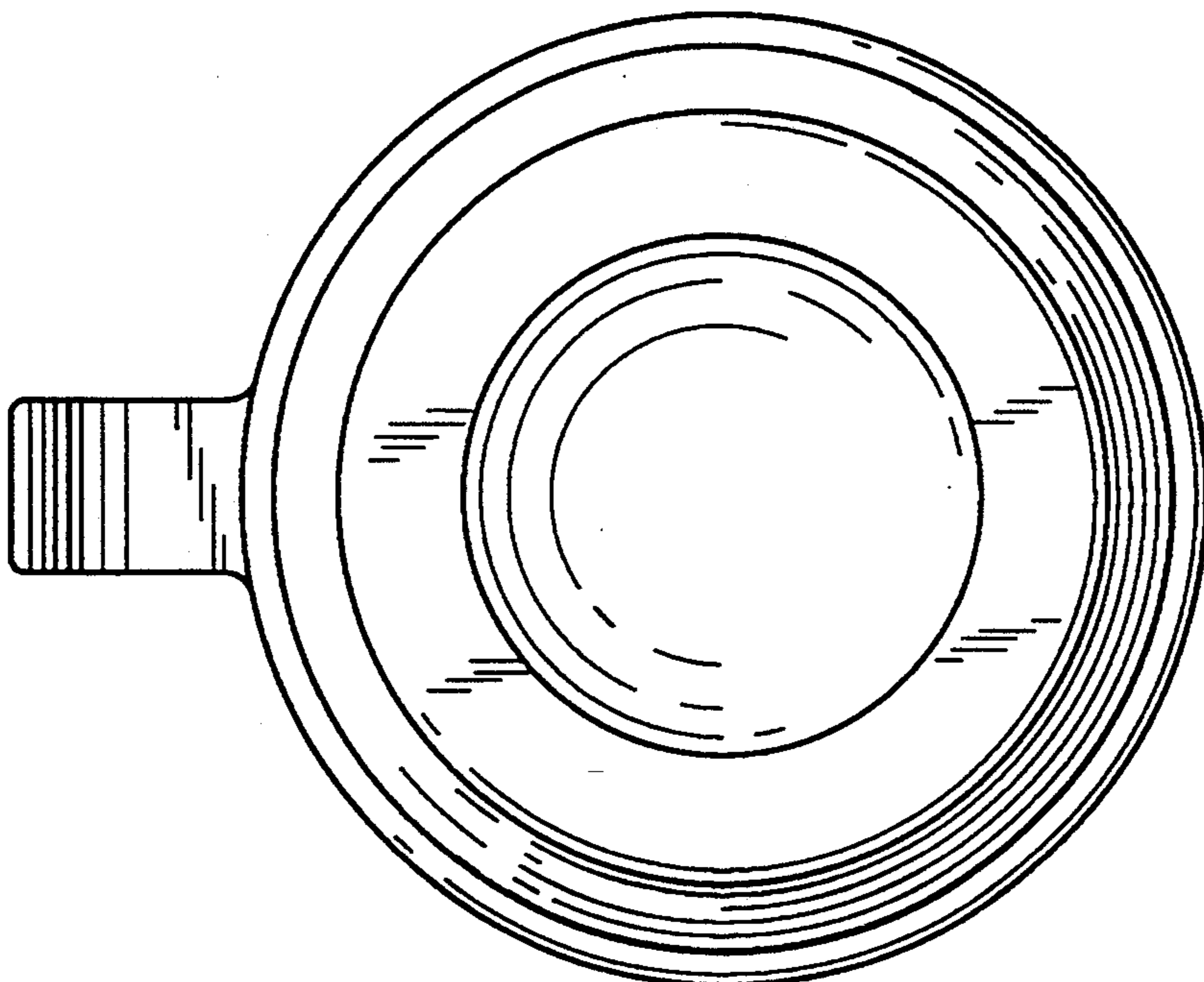
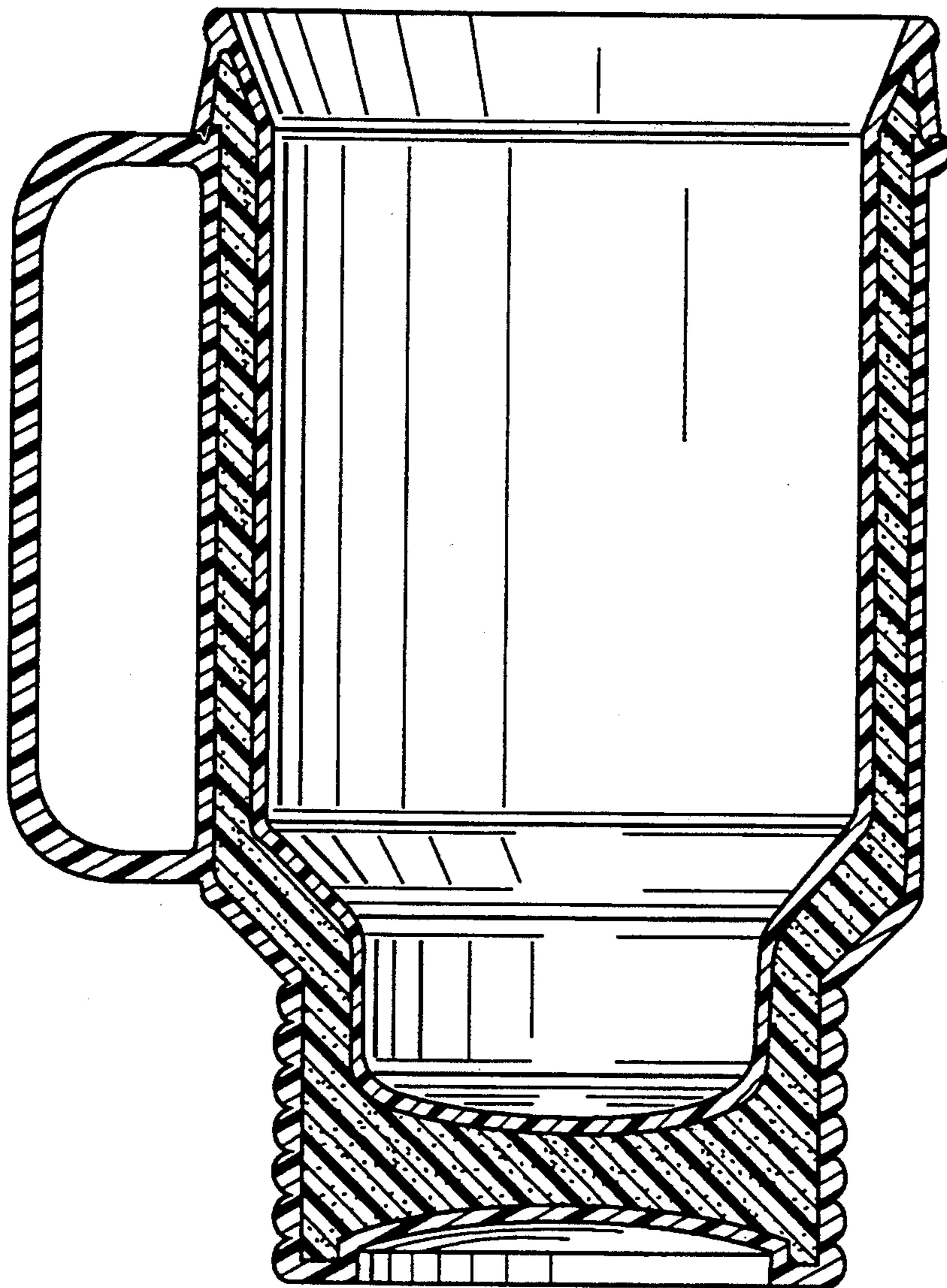


FIG. 5



UNITED STATES PATENT AND TRADEMARK OFFICE
CERTIFICATE OF CORRECTION

PATENT NO. : Des. 362,369
DATED : Sep. 19, 1995
INVENTOR(S) : BRIDGES, John

Page 1 of 2

It is certified that error appears in the above-identified patent and that said Letters Patent is hereby corrected as shown below:

On cover page, in section [56], "References Cited", "U.S. PATENT DOCUMENTS", column 1, line 3, change "7/1923" to
---7/1925--- .

On cover page, in section [56], "References Cited", "U.S. PATENT DOCUMENTS", column 1, line 15, change "Symeist" to
---Stymeist---.

On cover page, in section [56], "References Cited", "U.S. PATENT DOCUMENTS", column 1, line 18, change "Cautereel et al." to ---
Cautereels et al.---.

On cover page, in section [56], "References Cited", "U.S. PATENT DOCUMENTS", column 1, line 19, change "5/1974" to
---5/1994---.

UNITED STATES PATENT AND TRADEMARK OFFICE
CERTIFICATE OF CORRECTION

PATENT NO. : **Des. 362,369**
DATED : **Sep. 19, 1995**
INVENTOR(S) : **Bridges, John**

Page 2 of 2

It is certified that error appears in the above-identified patent and that said Letters Patent is hereby corrected as shown below:

On cover page, in section [56], "References Cited", "U.S. PATENT DOCUMENTS", column 1, line 20, insert ---1,649,292 11/1927 Draper---

Signed and Sealed this
Second Day of January, 1996

Attest:



BRUCE LEHMAN

Attesting Officer

Commissioner of Patents and Trademarks