



US00D362368S

# United States Patent [19]

[11] Patent Number: **Des. 362,368**

**Willbrandt**

[45] Date of Patent: **\*\* Sep. 19, 1995**

[54] **CONTAINER TO FIT A VEHICLE CUP RECEPTACLE**

[75] Inventor: **George A. Willbrandt, Fairfax, Va.**

[73] Assignee: **Berry Sterling Corporation, Evansville, Ind.**

[\*\*] Term: **14 Years**

[21] Appl. No.: **17,562**

[22] Filed: **Jan. 14, 1994**

[52] U.S. Cl. .... **D7/531; D7/511; D7/523**

[58] Field of Search ..... **D7/509, 510, 511, 523, D7/533, 534, 536, 507, 531, 523; D9/504; 220/669, 671, 675, 708**

[56] **References Cited**

**U.S. PATENT DOCUMENTS**

- D. 47,527 6/1915 Sanford ..... D7/531
- D. 81,984 9/1930 Kirkpatrick ..... D7/531
- D. 110,902 8/1938 Loesch .
- D. 169,370 4/1953 Greenspan ..... D7/509 X
- D. 198,139 5/1964 Edwards ..... D44/9
- D. 204,783 5/1966 Johnson ..... D7/531
- D. 217,781 6/1970 Stone ..... D36/8
- D. 239,151 3/1976 Lundin ..... D7/6
- D. 247,601 3/1978 Schreckengost ..... D7/536
- D. 248,916 8/1978 Reynolds et al. .... D7/523
- D. 258,483 3/1981 Weinstein ..... D7/511
- D. 274,695 7/1984 Kennedy ..... D9/352
- D. 285,032 8/1986 Alonzo ..... D7/6
- D. 285,999 10/1986 Ludwick et al. .... D7/6
- D. 331,684 12/1992 Trombley ..... D7/533 X
- D. 346,932 5/1994 Cauteretcseine ..... D7/511 X
- D. 346,933 5/1994 Denny et al. .... D7/536
- 604,514 5/1998 Belden .
- 2,963,256 12/1960 Borah ..... 248/346
- 3,079,027 2/1963 Edwards ..... 220/9
- 3,128,029 4/1964 Price et al. .... 229/1.5
- 3,342,370 9/1967 Johnson .
- 3,484,018 12/1969 Davis .
- 3,934,725 1/1976 Edwards .
- 4,039,435 8/1977 Narva ..... 206/217

- 4,052,037 10/1977 Mair et al. .
- 4,061,782 12/1977 Baxter ..... 426/86
- 4,193,494 3/1980 Green .
- 4,231,476 11/1980 Compton et al. .
- 4,551,366 11/1985 Maruhashi et al. .... 428/35
- 4,618,066 10/1986 Vail ..... D7/511
- 4,832,202 5/1989 Newman et al. .... 206/519
- 4,854,468 8/1989 Dahlquist et al. .... 220/85 H
- 5,088,673 2/1992 Chandler ..... 248/311.2
- 5,305,911 4/1994 Aylward .

**OTHER PUBLICATIONS**

Orphan Annie Cup with/lid (lower right) Modern Plastics, Feb. 1946 p. 96.

Decorated Barware (bottom left), Home Furnishings Daily, Dec. 19, 1960 p. 11.

*Primary Examiner*—Alan P. Douglas

*Assistant Examiner*—M. N. Pandozzi

*Attorney, Agent, or Firm*—William Brinks Hofer Gilson & Lione

[57] **CLAIM**

The ornamental design for a container to fit a vehicle cup receptacle, as shown and described.

**DESCRIPTION**

FIG. 1 is a top plan view of a container to fit a vehicle cup receptacle showing my new design;

FIG. 2 is a bottom plan view thereof;

FIG. 3 is a side elevation view thereof, all sides substantially identical hereto;

FIG. 4 is a top plan view of a container to fit a vehicle cup receptacle showing a second embodiment of my new design;

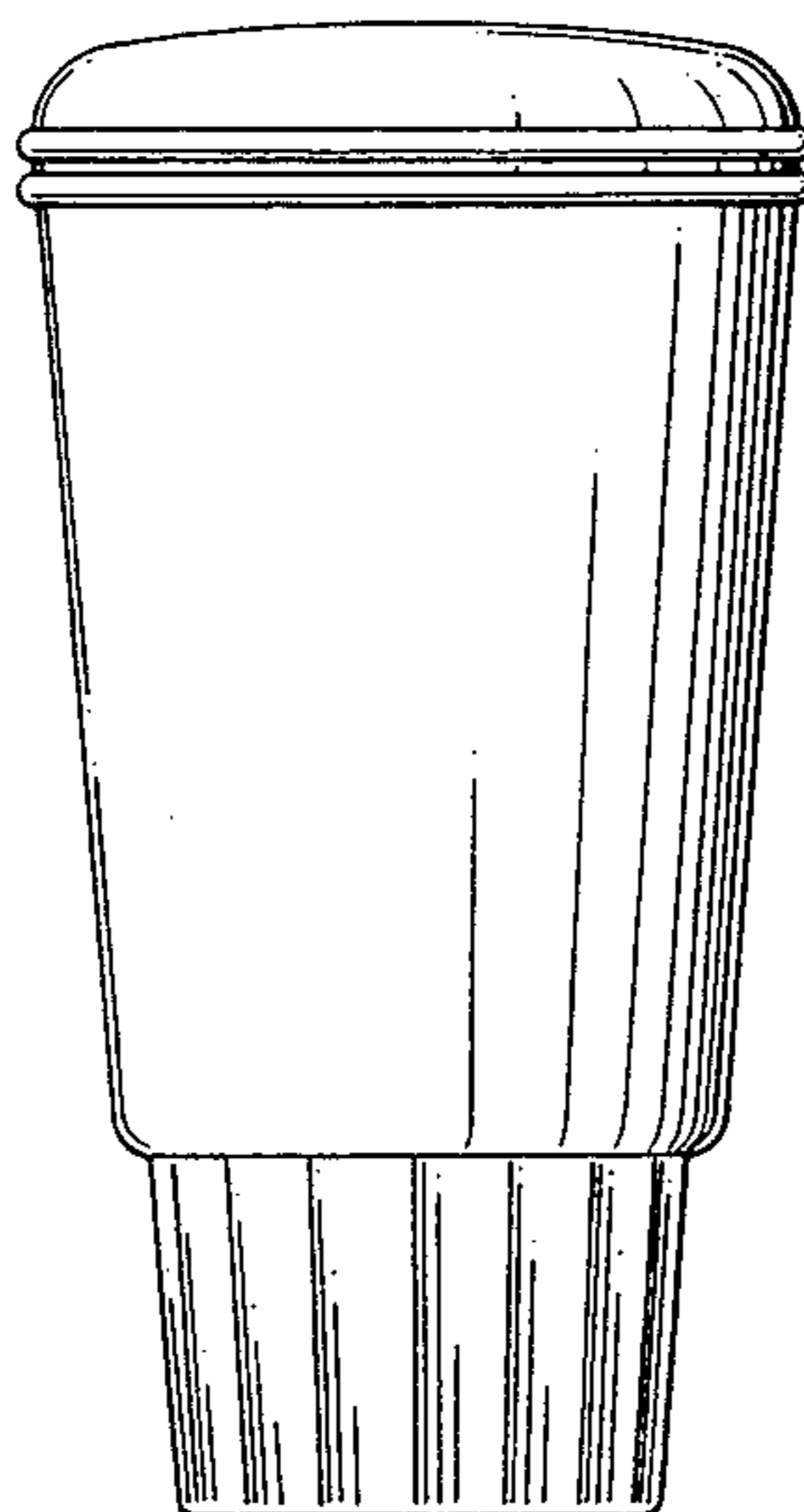
FIG. 5 is a bottom plan view thereof;

FIG. 6 is a side elevation view thereof, all sides being substantially identical hereto;

FIG. 7 is a perspective view thereof, with the lid removed for ease of illustration;

FIG. 8 is a perspective view thereof, with the lid removed for ease of illustration; and,

FIG. 9 is a perspective view thereof, with the lid removed or ease of illustration.



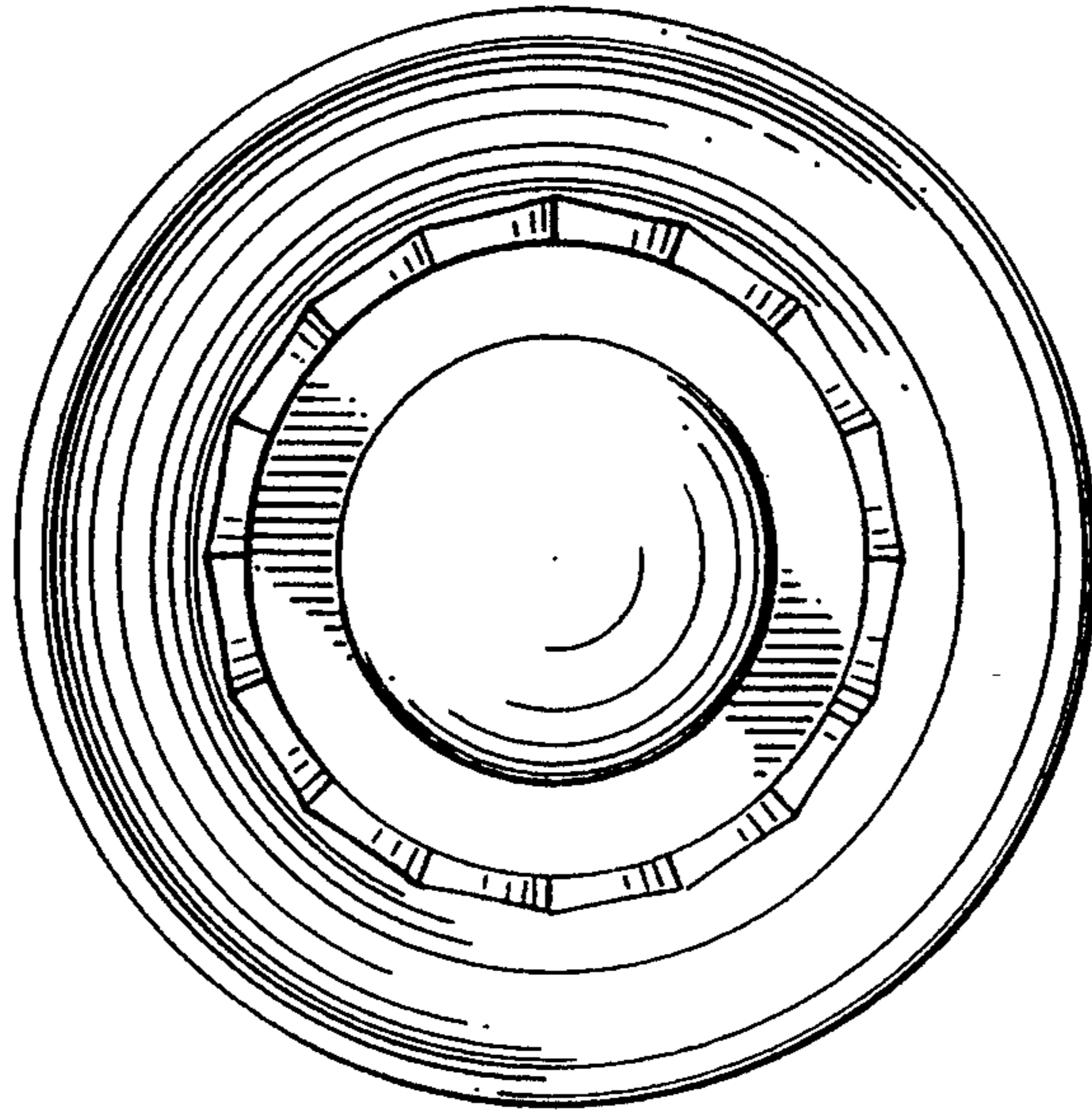


FIG. 1

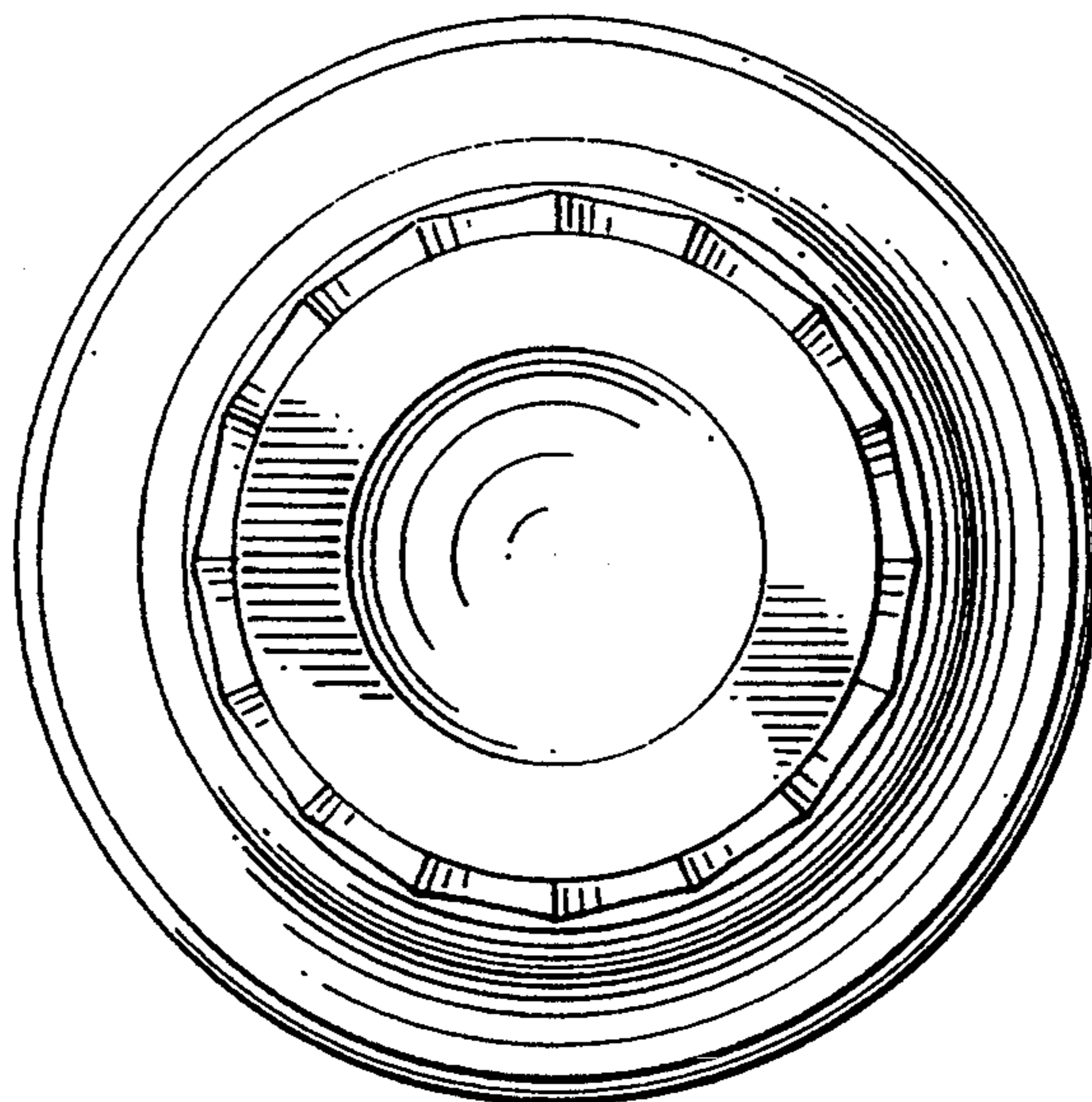


FIG. 2

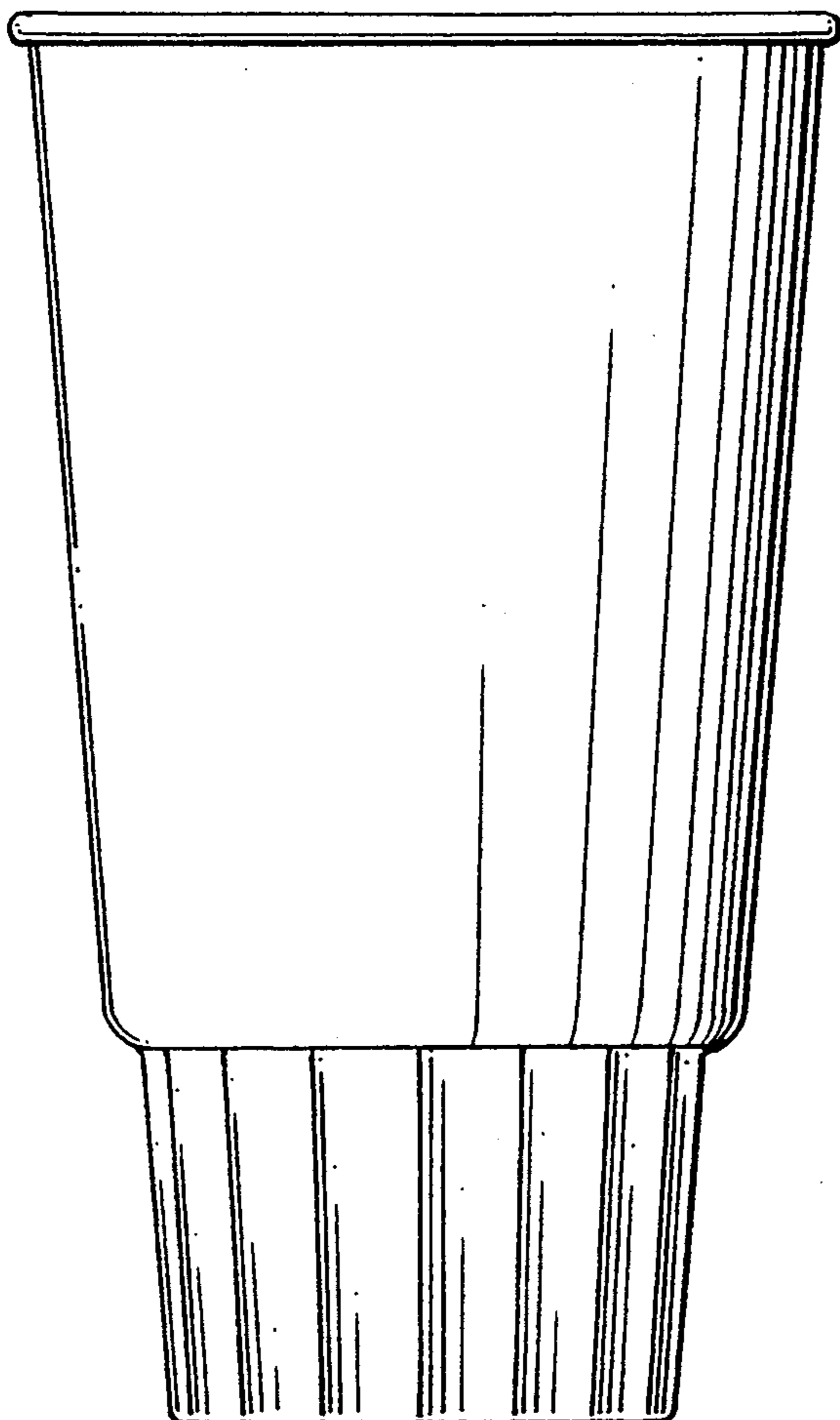


FIG. 3

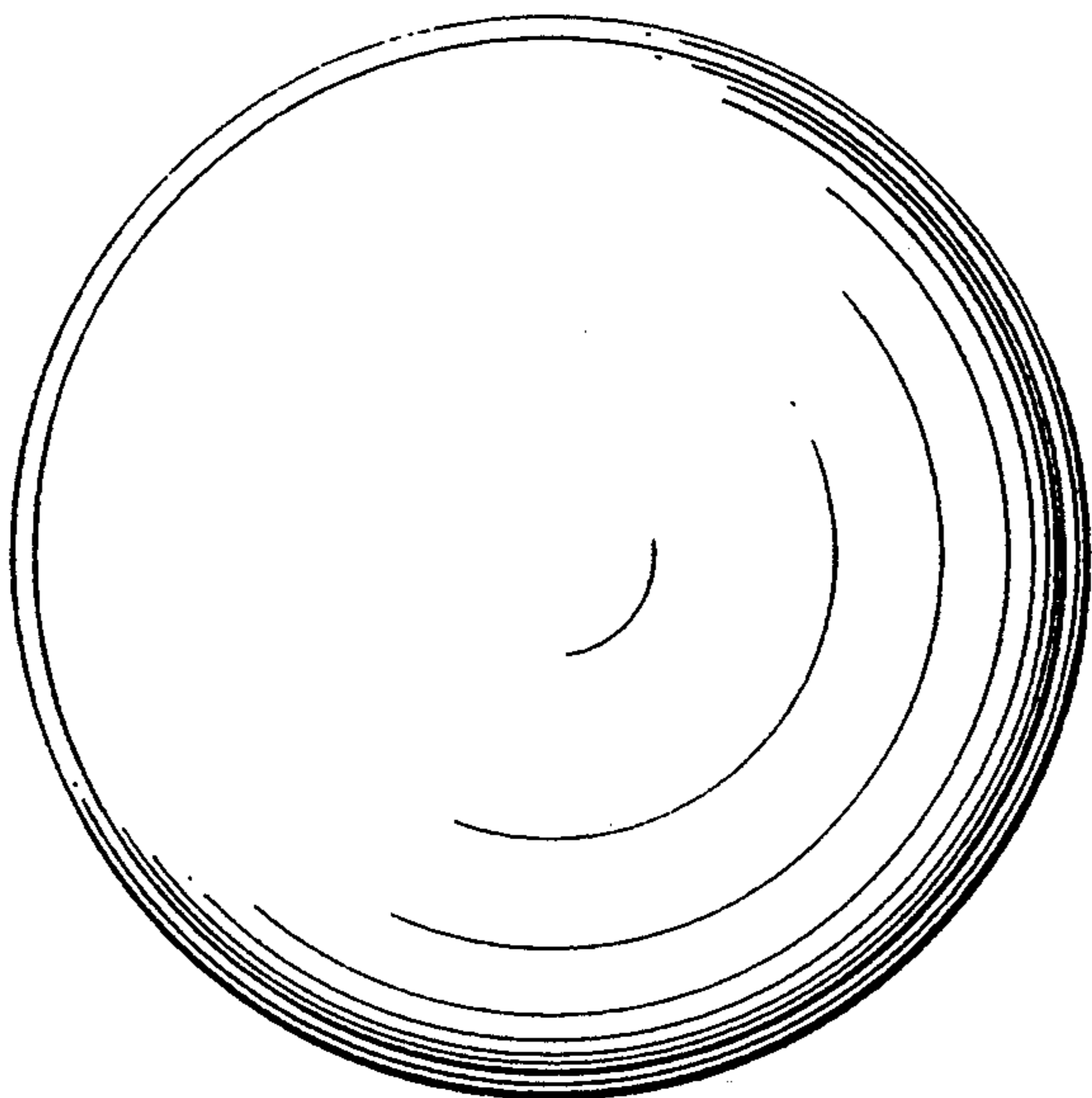


FIG. 4

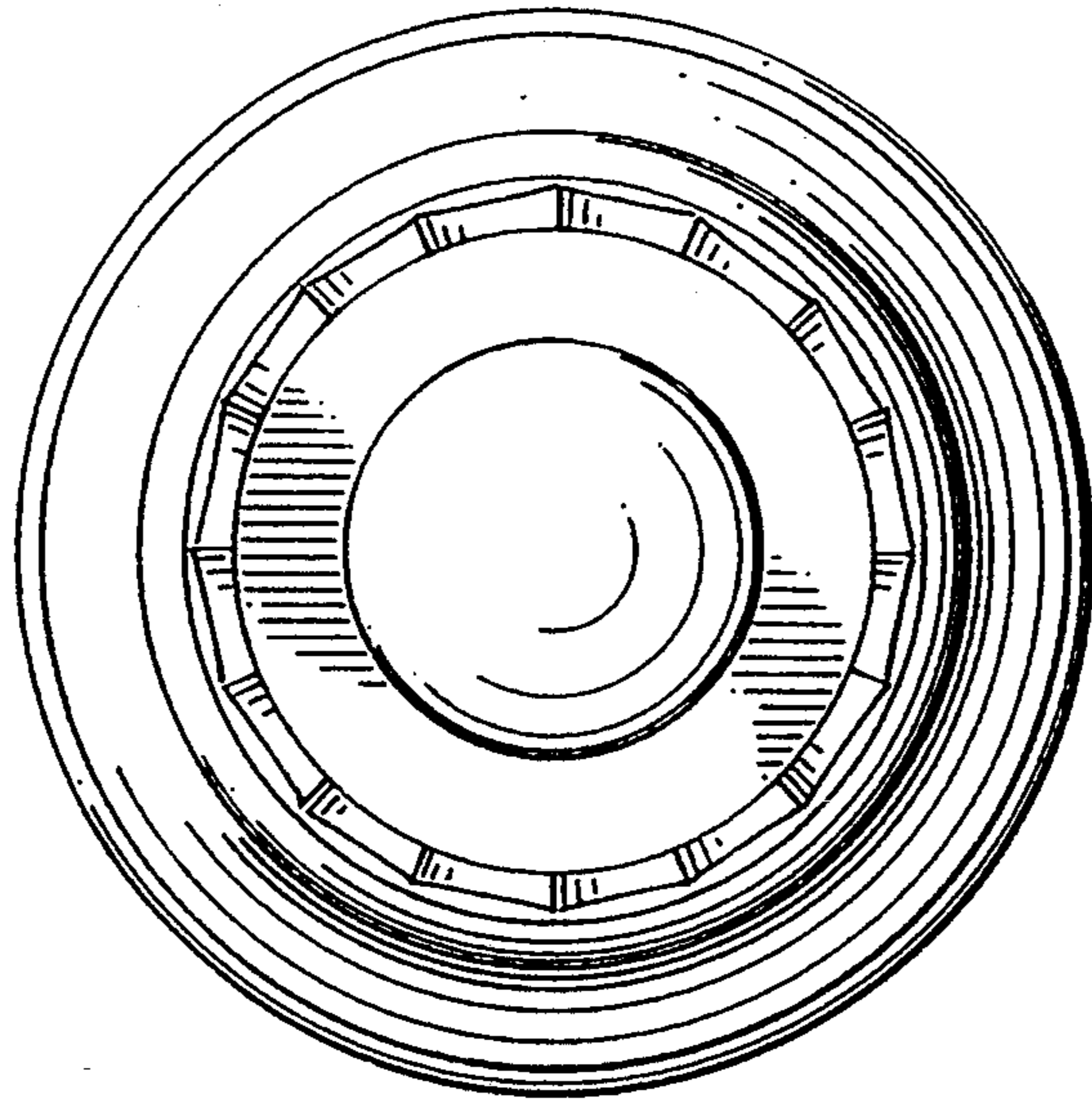


FIG. 5

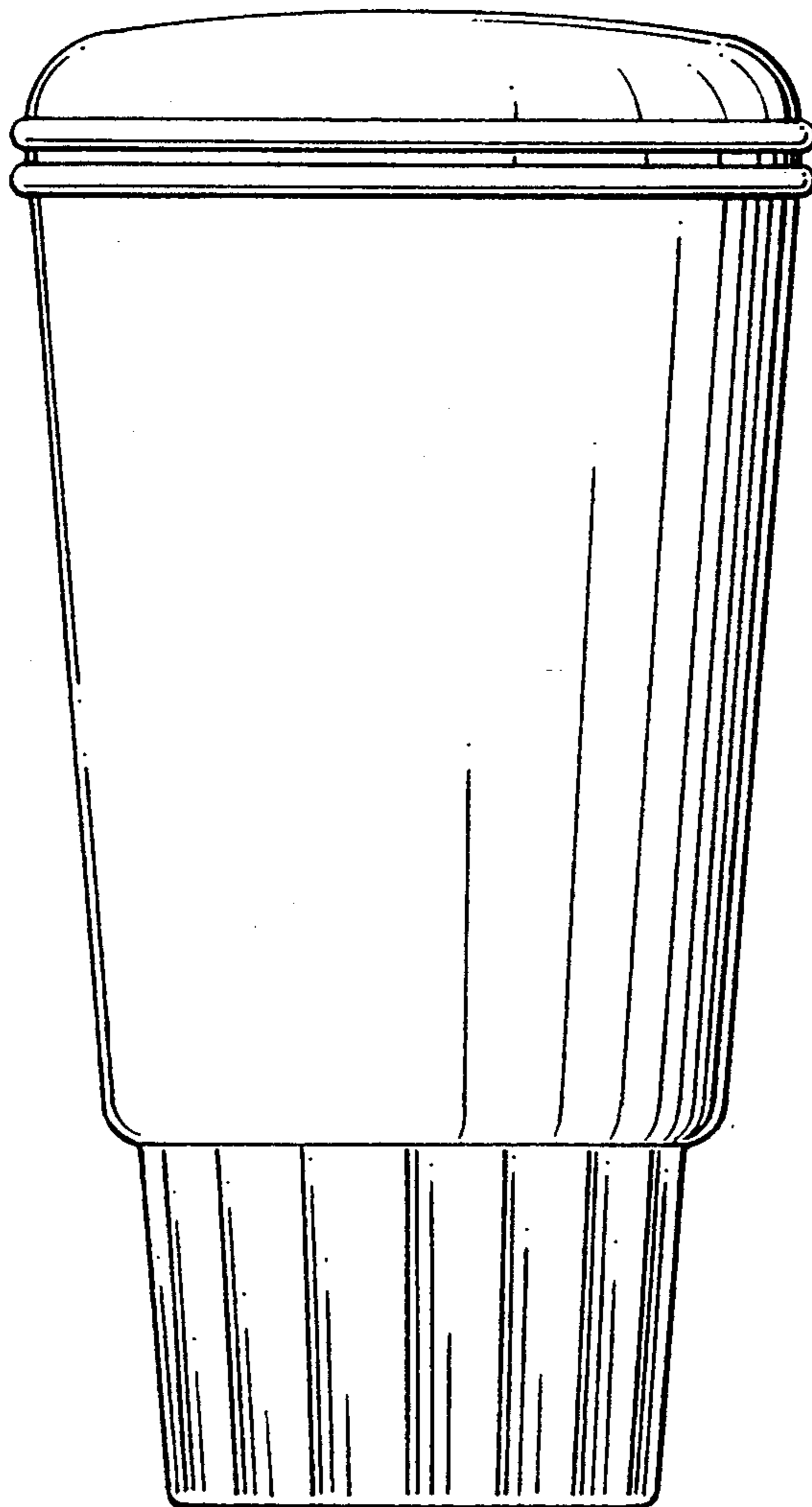


FIG. 6

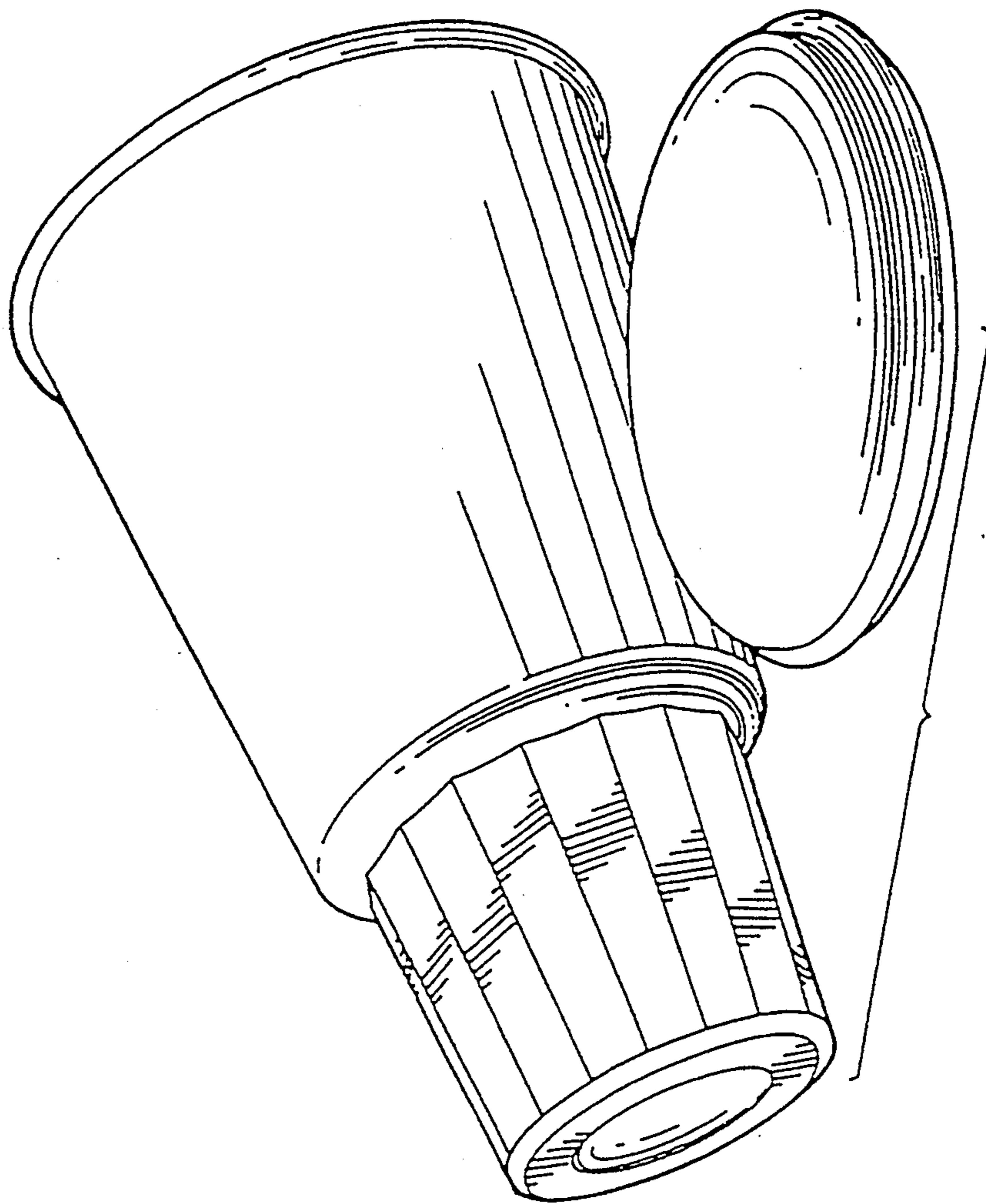


FIG. 7

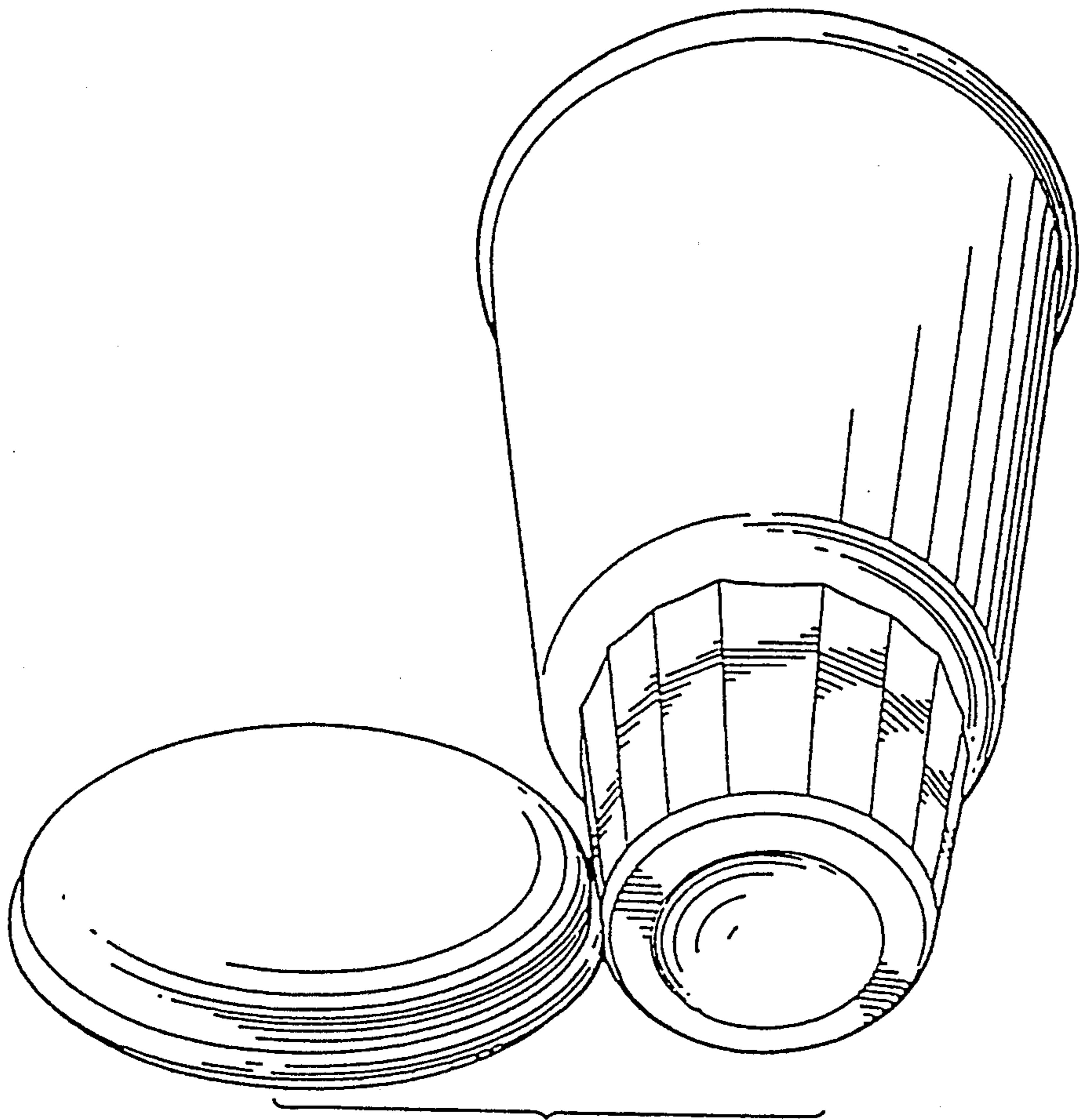


FIG. 8

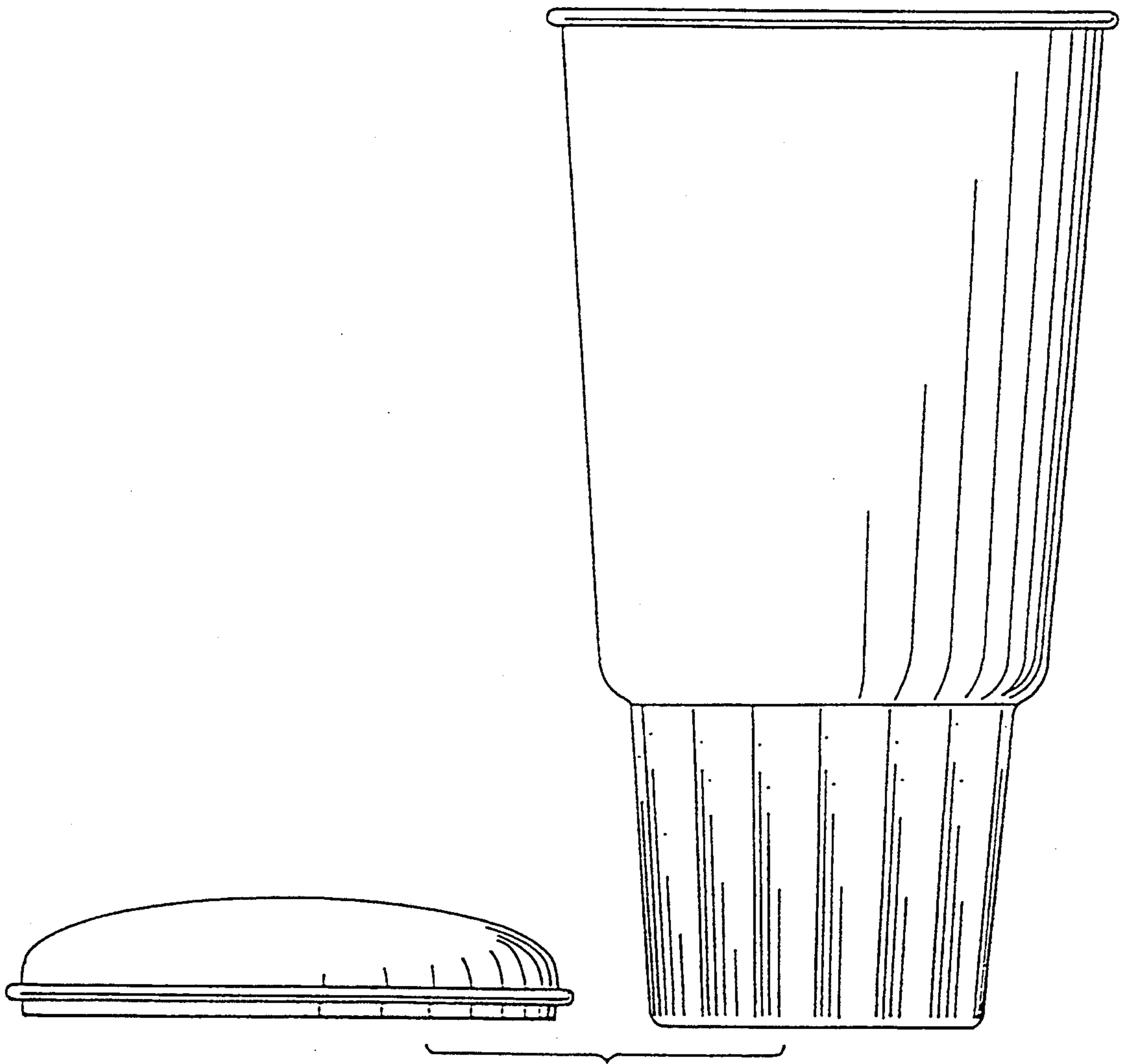


FIG. 9