



US00D362367S

United States Patent [19]

[11] Patent Number: **Des. 362,367**

Olsson et al.

[45] Date of Patent: **** Sep. 19, 1995**

[54] **COVER FOR A COMPACT DISC**

[76] Inventors: **Maths Olsson**, Brunflovägen 65, S-831 46 Östersund; **Mikael Sefastsson**, Skördevägen 36, S-831 75 Östersund, both of Sweden

[**] Term: **14 Years**

[21] Appl. No.: **24,384**

[22] Filed: **Jun. 13, 1994**

[30] **Foreign Application Priority Data**

Apr. 18, 1994 [SE] Sweden 94-0892

[52] U.S. Cl. **D6/632; D6/634**

[58] Field of Search **D3/304; D6/626, 632, D6/635, 634, 627; 206/311, 309, 312**

[56] **References Cited**

U.S. PATENT DOCUMENTS

D. 335,215	5/1993	Stumpff	D6/634
D. 347,320	5/1994	DuCorday	D6/634
D. 351,963	11/1994	Lim	D6/627
4,702,369	10/1987	Philosophe	206/312
5,246,107	9/1993	Long et al.	206/311

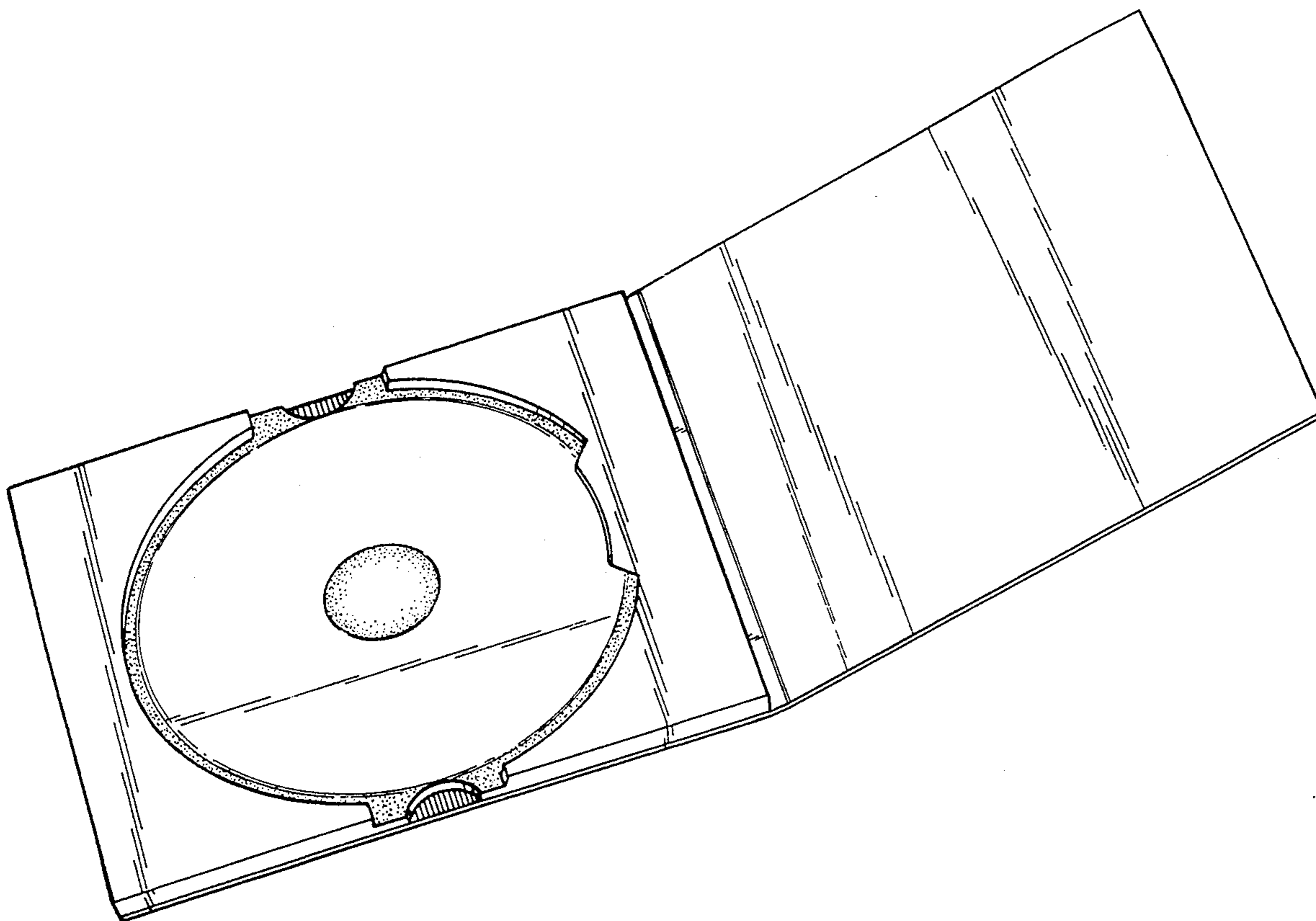
Primary Examiner—C. A. Murphy
Attorney, Agent, or Firm—Young & Thompson

[57] **CLAIM**

The ornamental design for a cover for a compact disc, as shown and described.

DESCRIPTION

FIG. 1 is a perspective view of a partially open cover for a compact disc showing our new design; FIG. 2 is a reduced top plan view thereof; FIG. 3 is a bottom plan view of FIG. 2; FIG. 4 is a front elevational view of FIG. 2; FIG. 5 is a rear elevational view of FIG. 2; FIG. 6 is a right side elevational view of FIG. 2; FIG. 7 is a left side elevational view of FIG. 2; FIG. 8 is a top perspective view of FIG. 2 shown in closed position; FIG. 9 is a top plan view of FIG. 8; FIG. 10 is a bottom plan view of FIG. 8; FIG. 11 is a front elevational view of FIG. 8; FIG. 12 is a rear elevational view of FIG. 8; FIG. 13 is a left side elevational view of FIG. 8; and, FIG. 14 is a right side elevational view of FIG. 8.



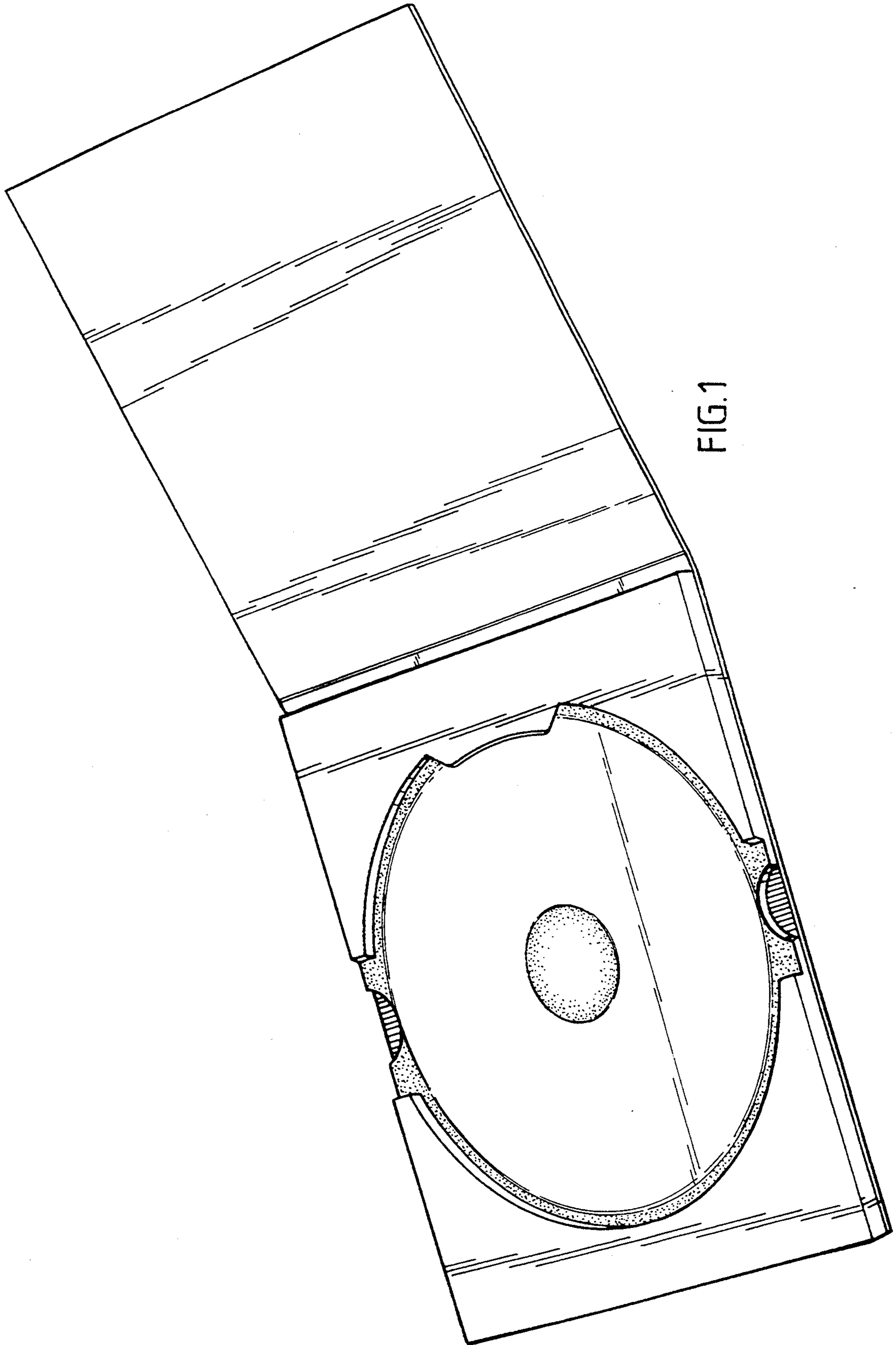


FIG. 1

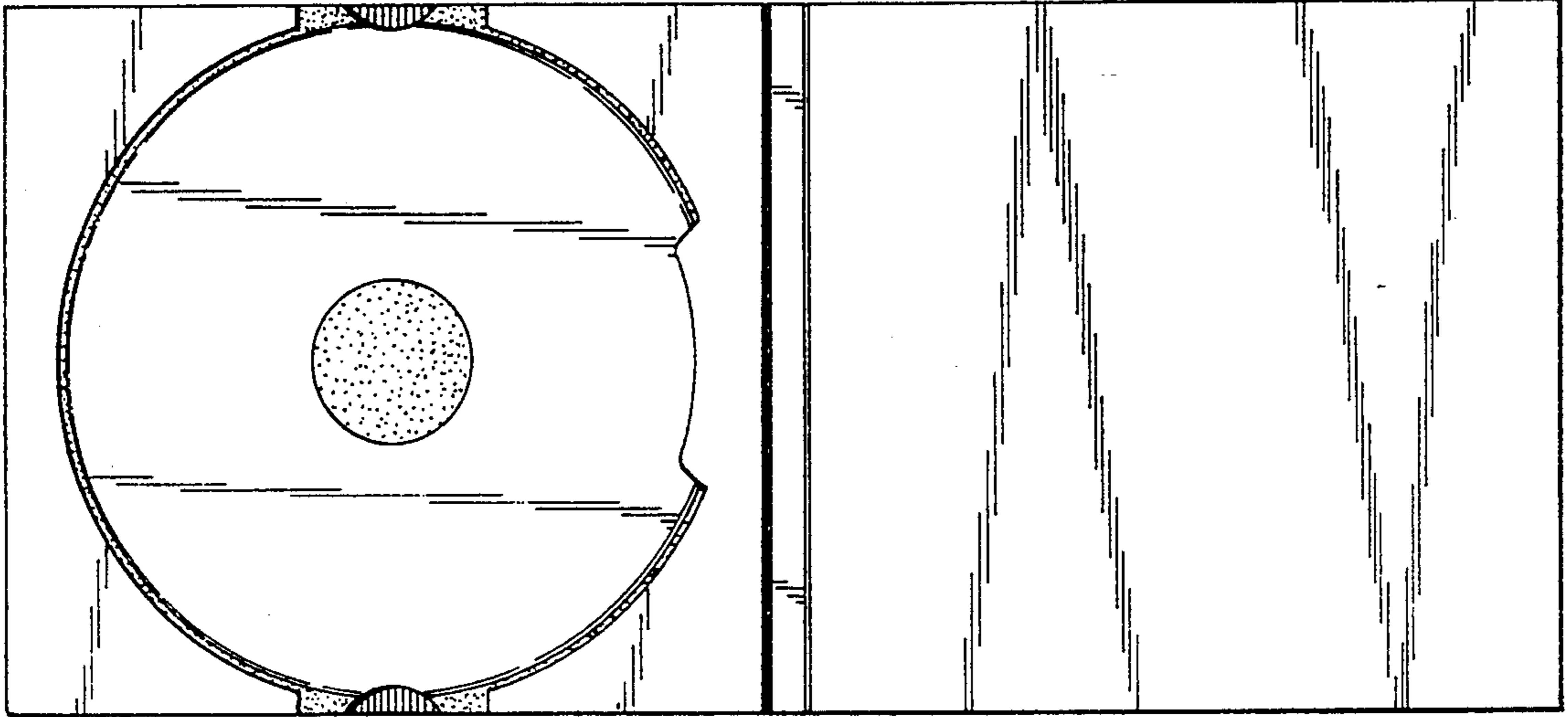


FIG. 2

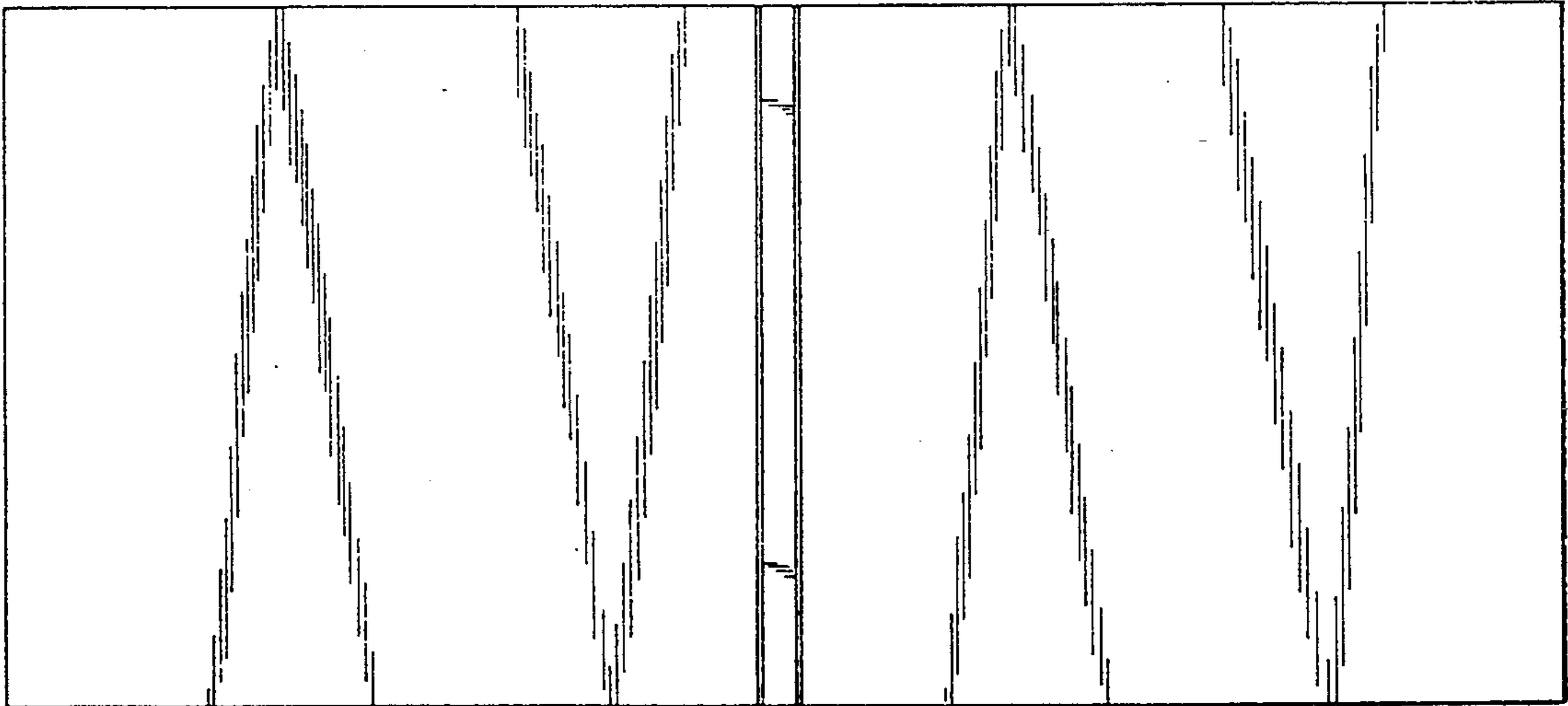


FIG. 3



FIG. 4



FIG. 5



FIG. 6



FIG. 7

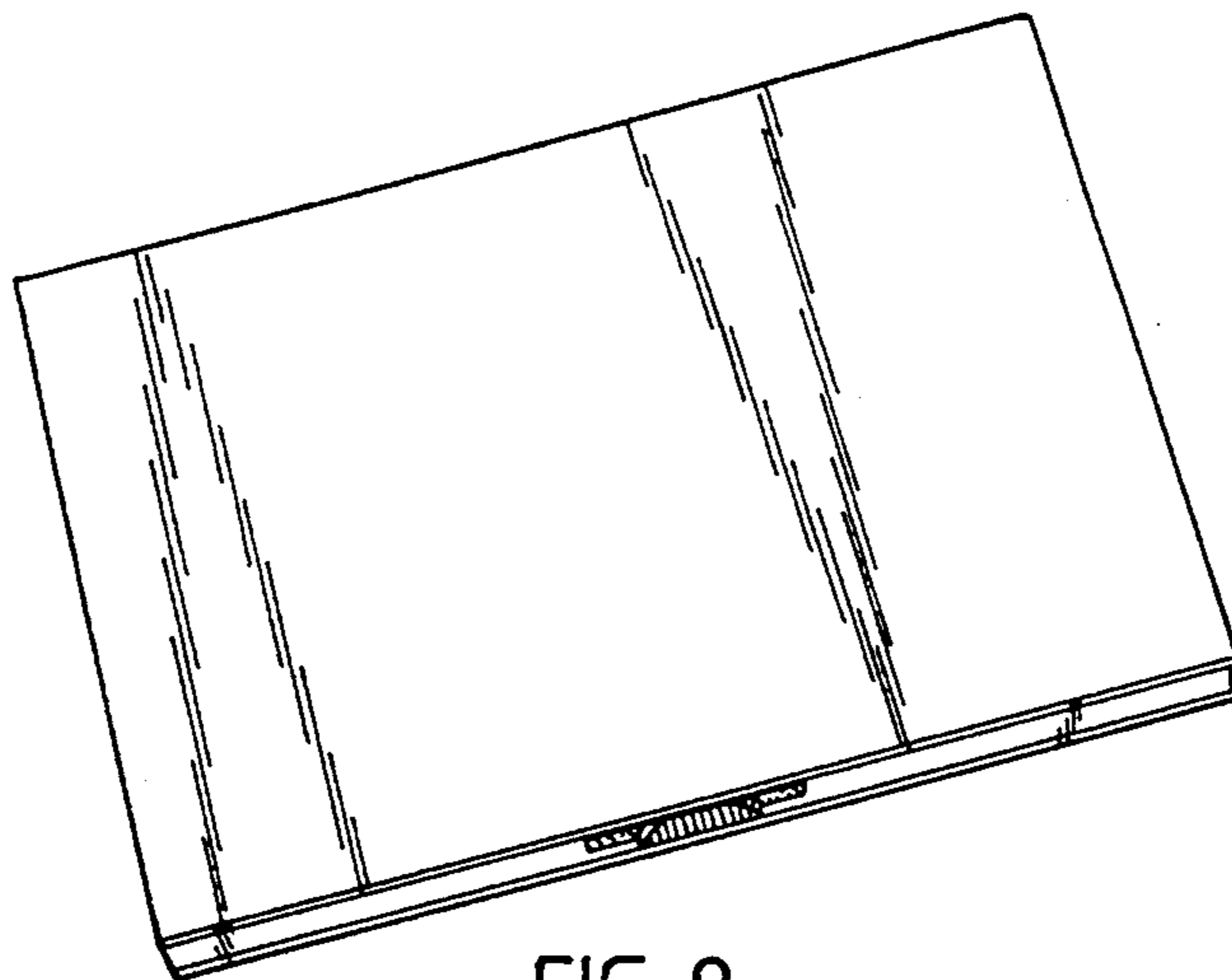


FIG. 8

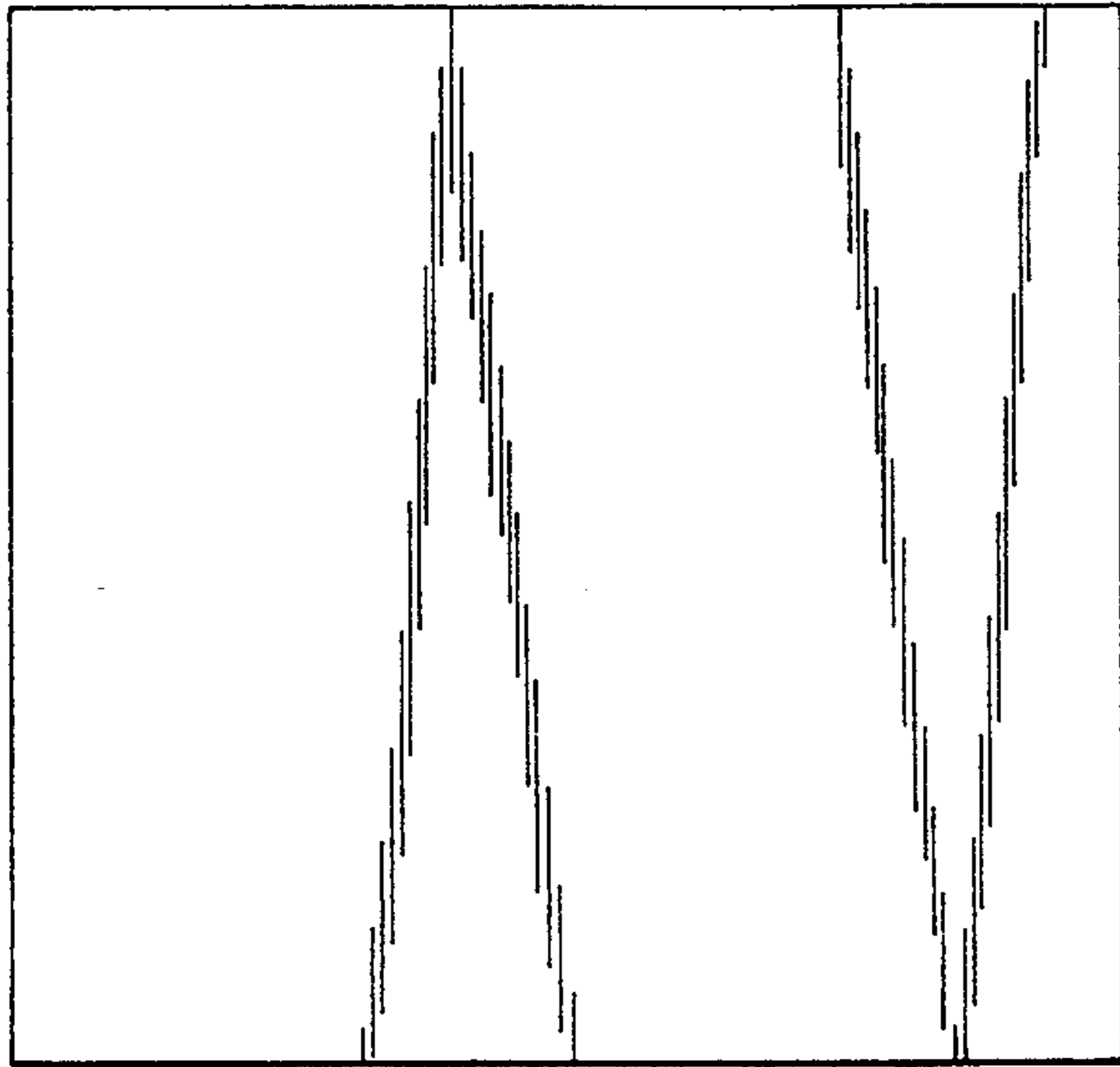


FIG. 9

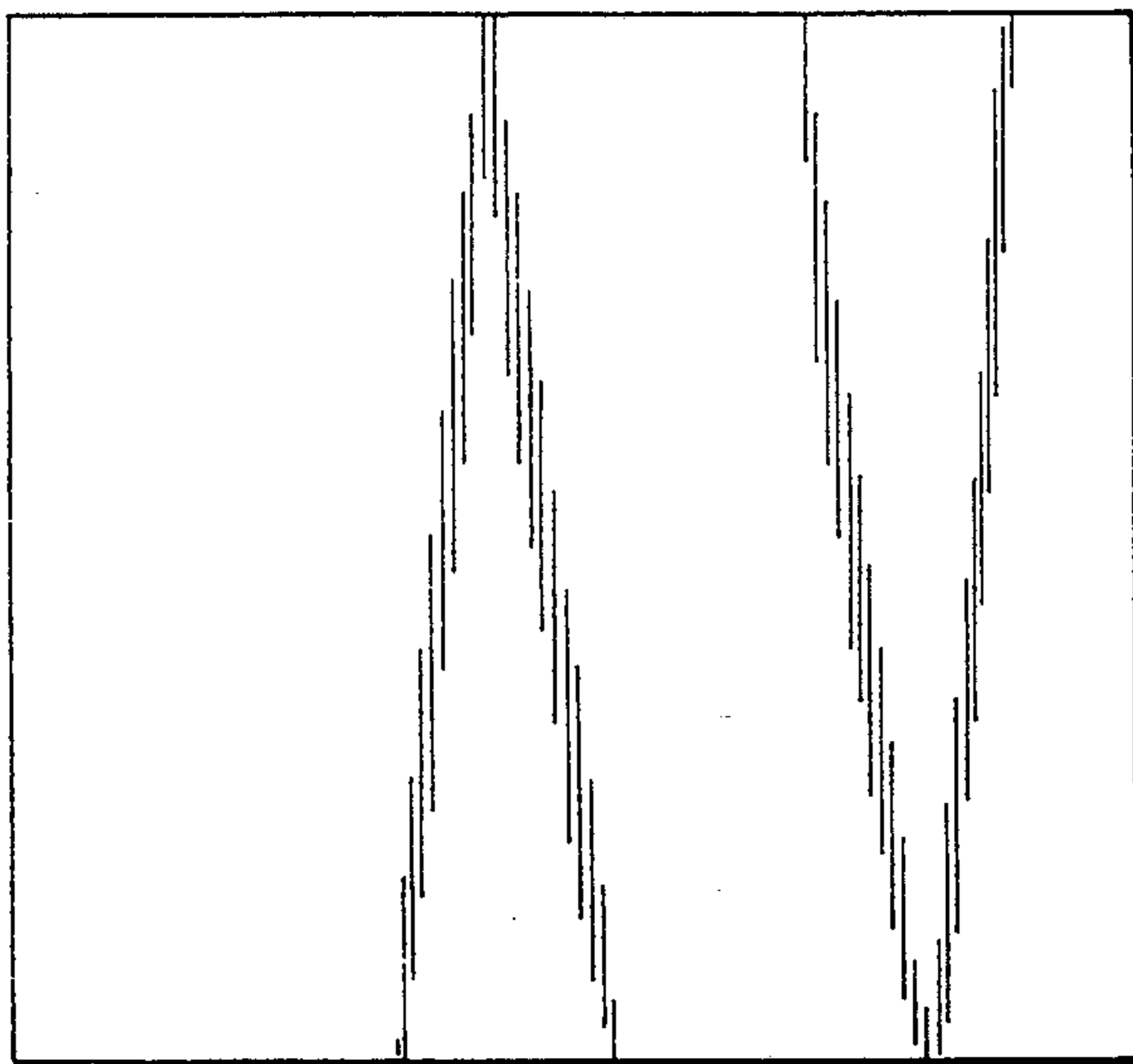


FIG. 10

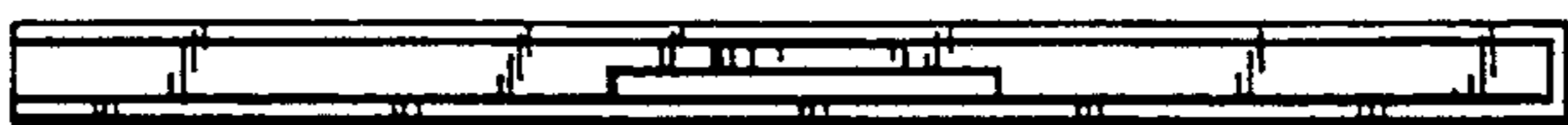


FIG. 11



FIG. 12



FIG. 13



FIG. 14