



US00D362363S

# United States Patent [19]

[11] Patent Number: **Des. 362,363**

Friedman

[45] Date of Patent: **\*\* Sep. 19, 1995**

[54] **COMBINED BEACH MAT AND CANOPY**

*Primary Examiner*—Lisa P. Lichtenstein  
*Attorney, Agent, or Firm*—Terry M. Gernstein

[76] Inventor: **Peter Friedman**, 8199 Horseshoe Bay Rd., Boyton Beach, Fla. 33437

[57] **CLAIM**

The ornamental design for a combined beach mat and canopy, as shown and described.

[\*\*] Term: **14 Years**

**DESCRIPTION**

[21] Appl. No.: **9,589**

[22] Filed: **Jun. 18, 1993**

[52] U.S. Cl. .... **D6/596; D6/595**

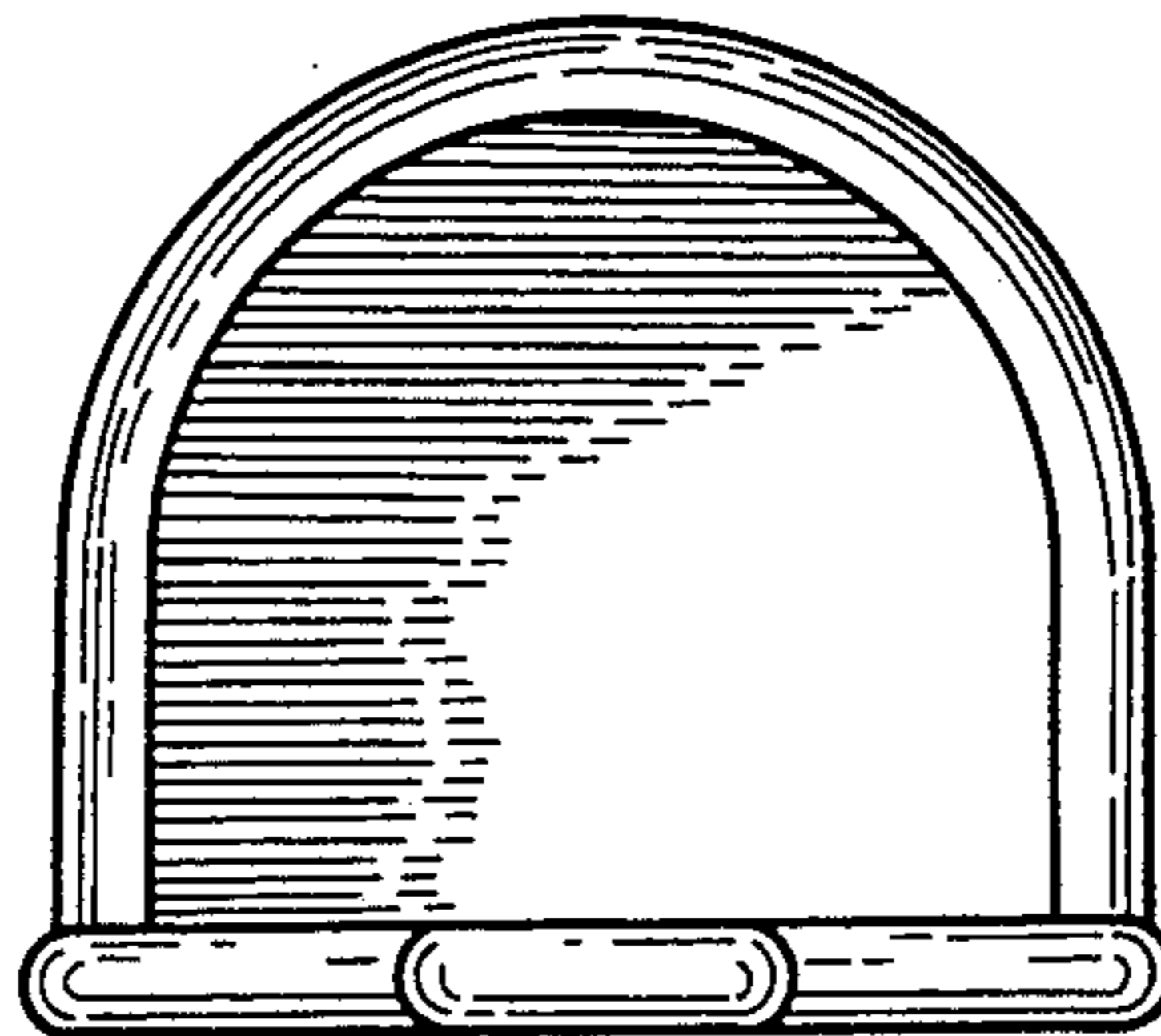
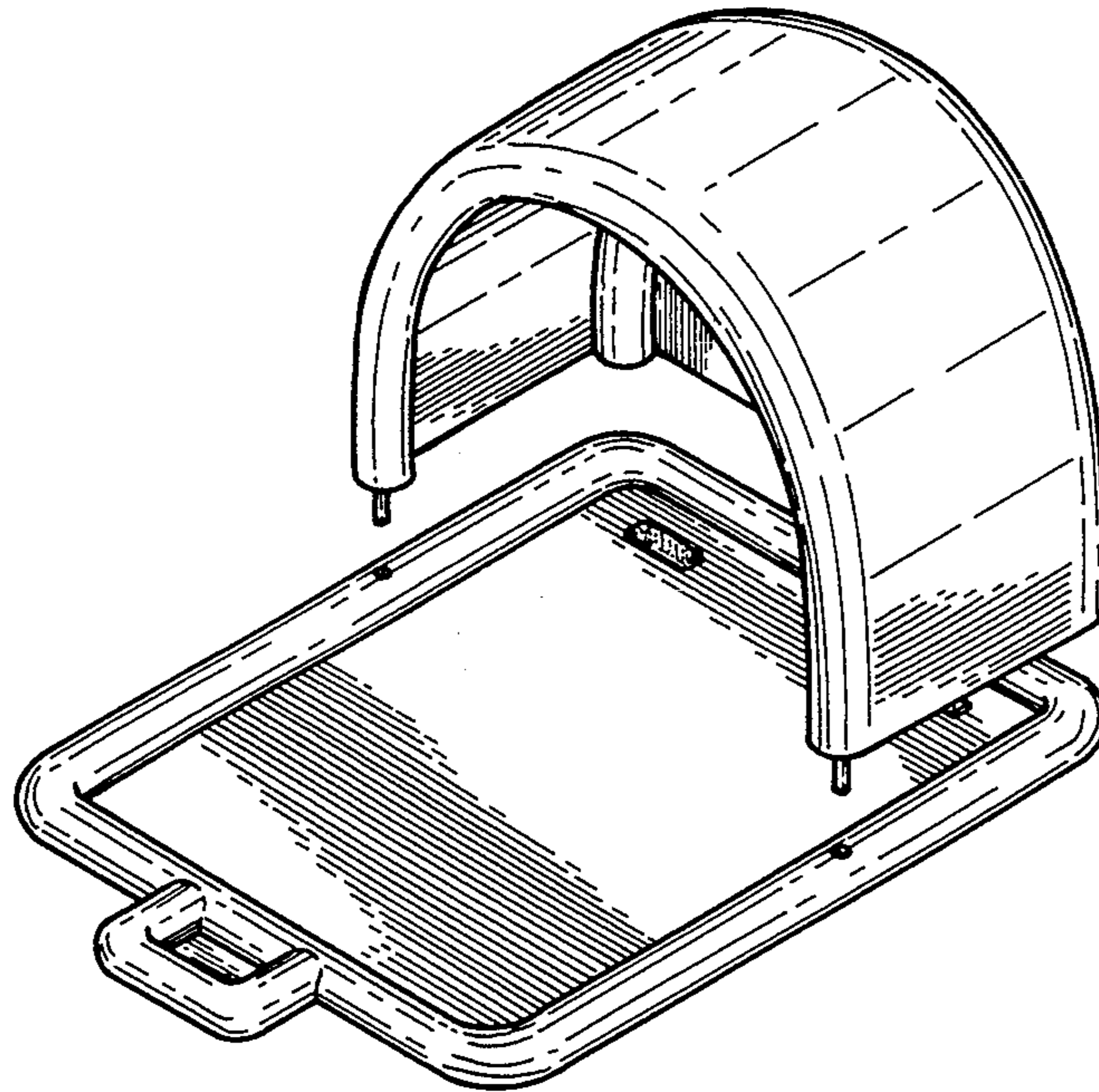
[58] Field of Search ..... **D6/595, 596, 601, 604; 5/417-420, 414; 297/184.17, 184.1**

FIG. 1 is a front, top and side perspective view of the mat portion of a combined beach mat and canopy, shown separately for clarity of illustration; FIG. 2 is a front elevational view thereof; FIG. 3 is a rear elevational view thereof; FIG. 4 is a side elevational view thereof, the side opposite being a mirror image of the side shown in FIG. 4; FIG. 5 is a top plan view thereof; FIG. 6 is a bottom plan view thereof; FIG. 7 is an exploded perspective view of the combined beach mat and canopy; FIG. 8 is a front elevational view of FIG. 7, in unexploded condition; and, FIG. 9 is a rear elevational view of FIG. 7 in unexploded condition.

[56] **References Cited**

**U.S. PATENT DOCUMENTS**

|            |        |               |       |        |
|------------|--------|---------------|-------|--------|
| D. 325,143 | 4/1992 | Franzese      | ..... | D6/595 |
| 3,818,962  | 6/1974 | Muller-Scerak | ..... | 5/455  |
| 4,137,584  | 2/1979 | Sharber       | ..... | 5/417  |
| 4,370,767  | 2/1983 | Fraser        | ..... | 5/417  |
| 4,639,958  | 2/1987 | Lerner        | ..... | 5/418  |
| 4,726,084  | 2/1988 | Keserovich    | ..... | 5/417  |
| 5,103,514  | 4/1992 | Leach         | ..... | 5/420  |
| 5,206,964  | 5/1993 | Wilson, Sr.   | ..... | 5/417  |



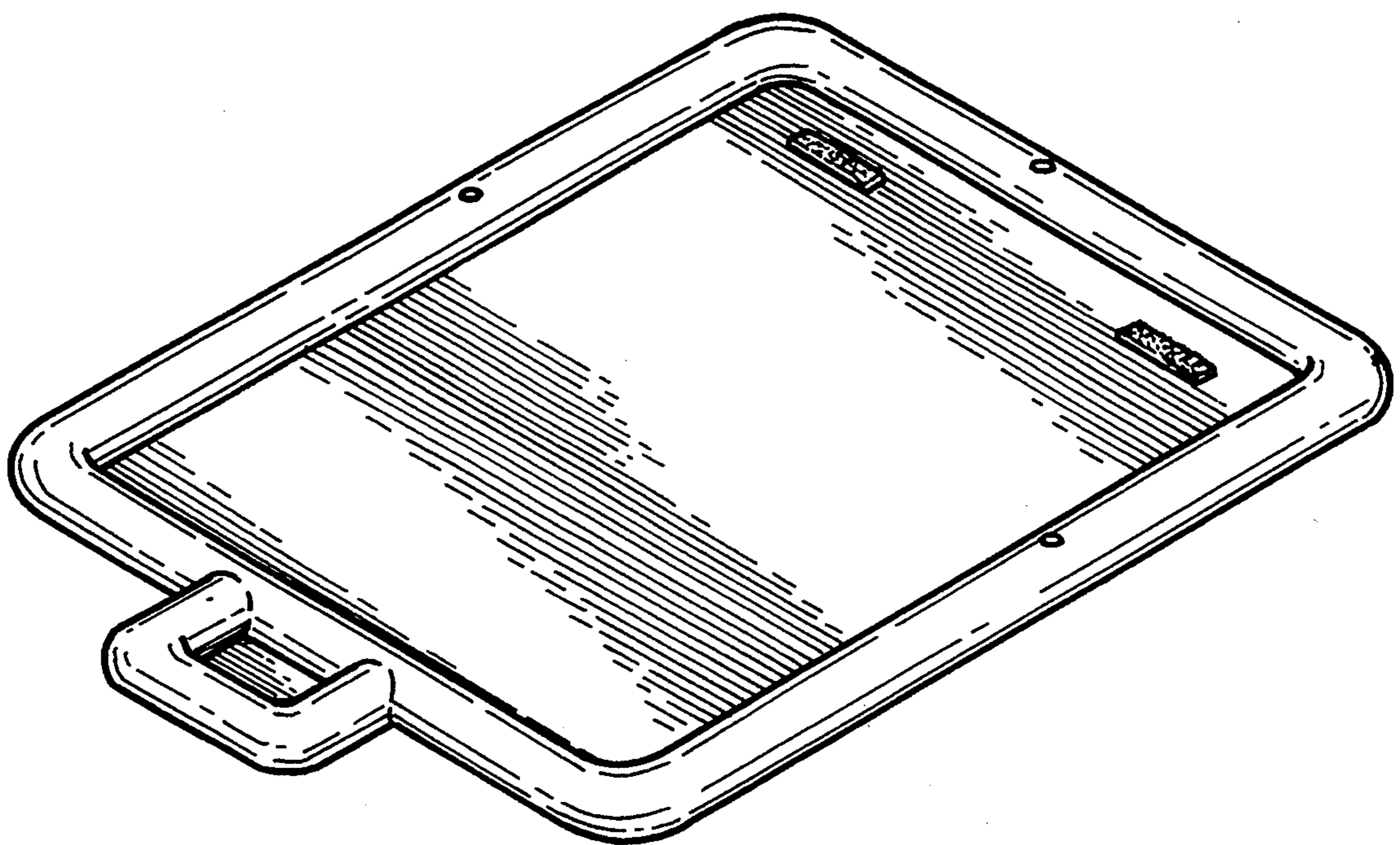


FIG. 1

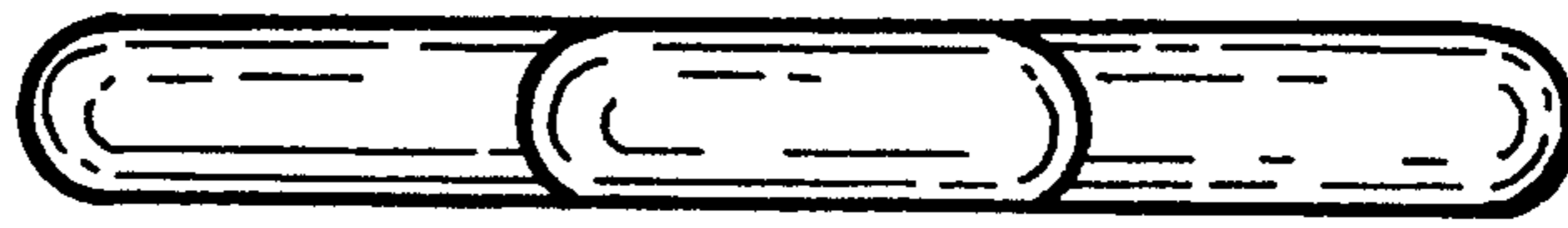


FIG. 2

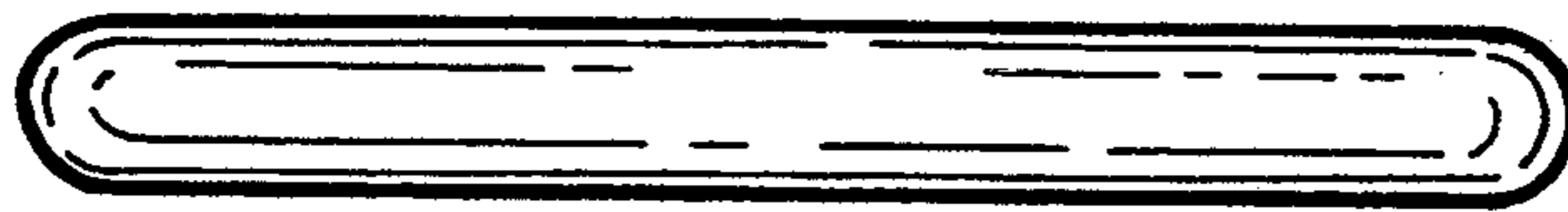


FIG. 3

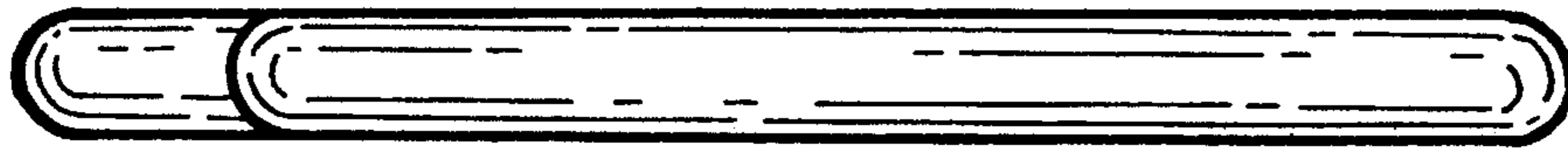


FIG. 4

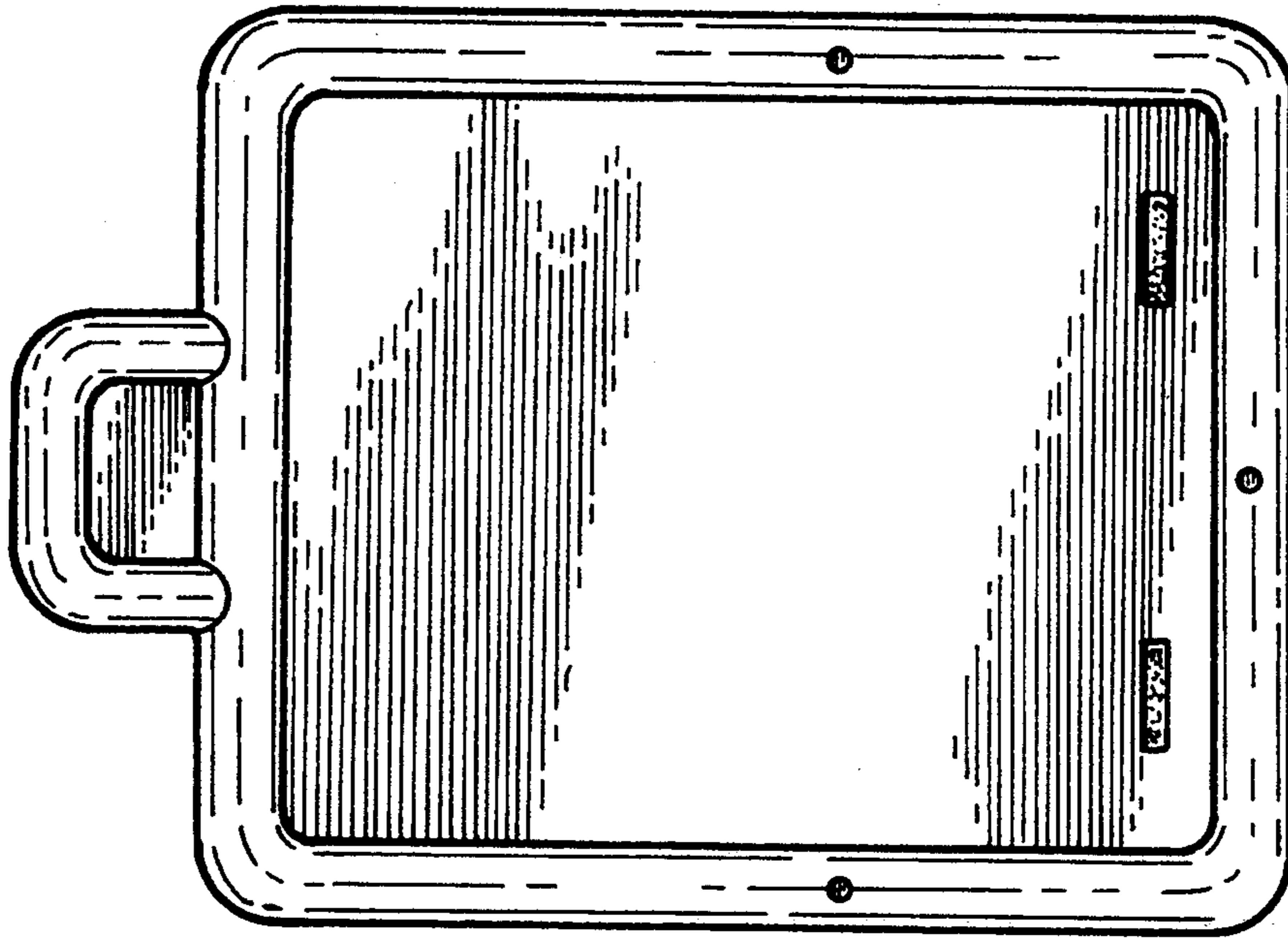


FIG. 5

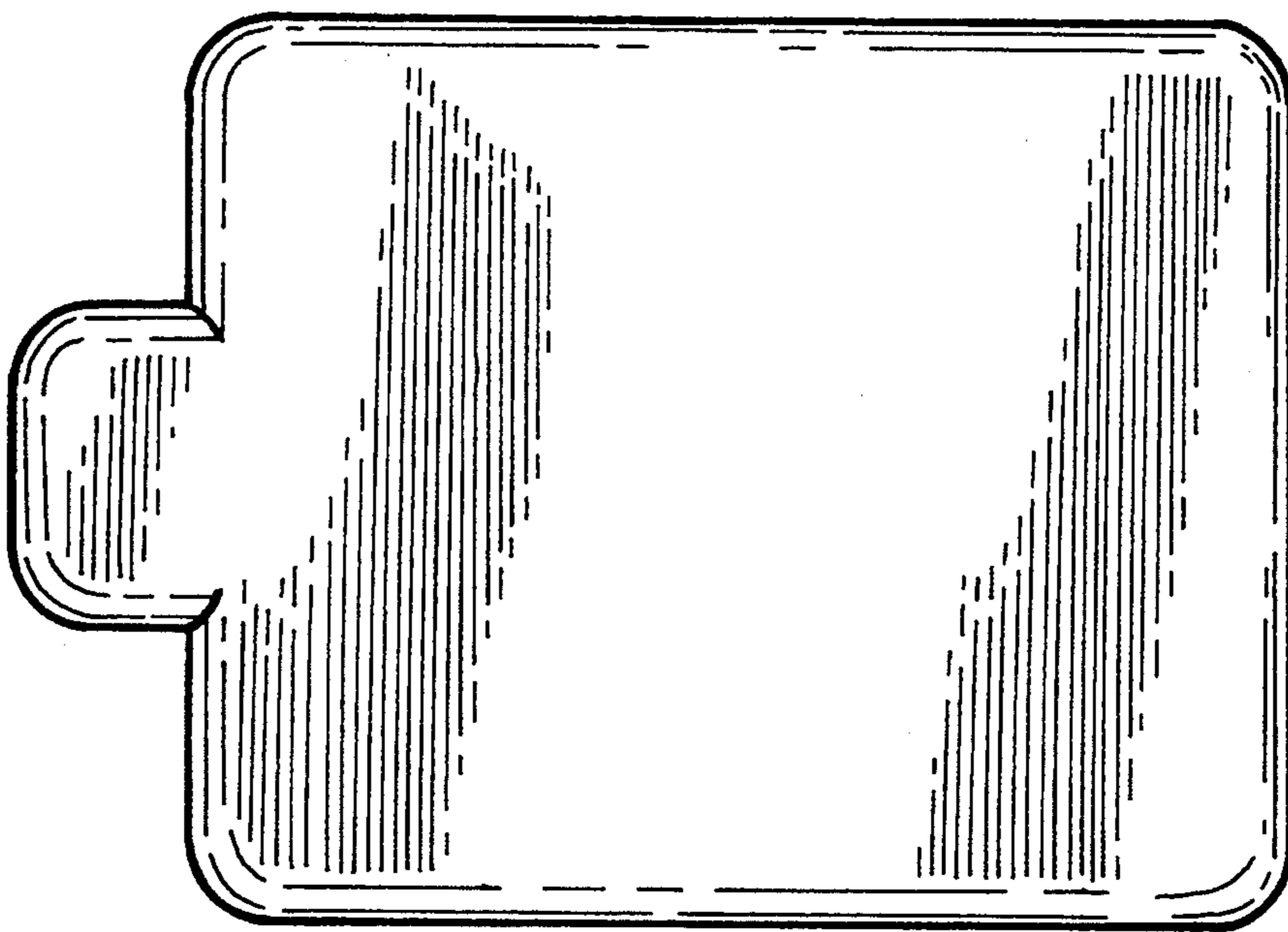
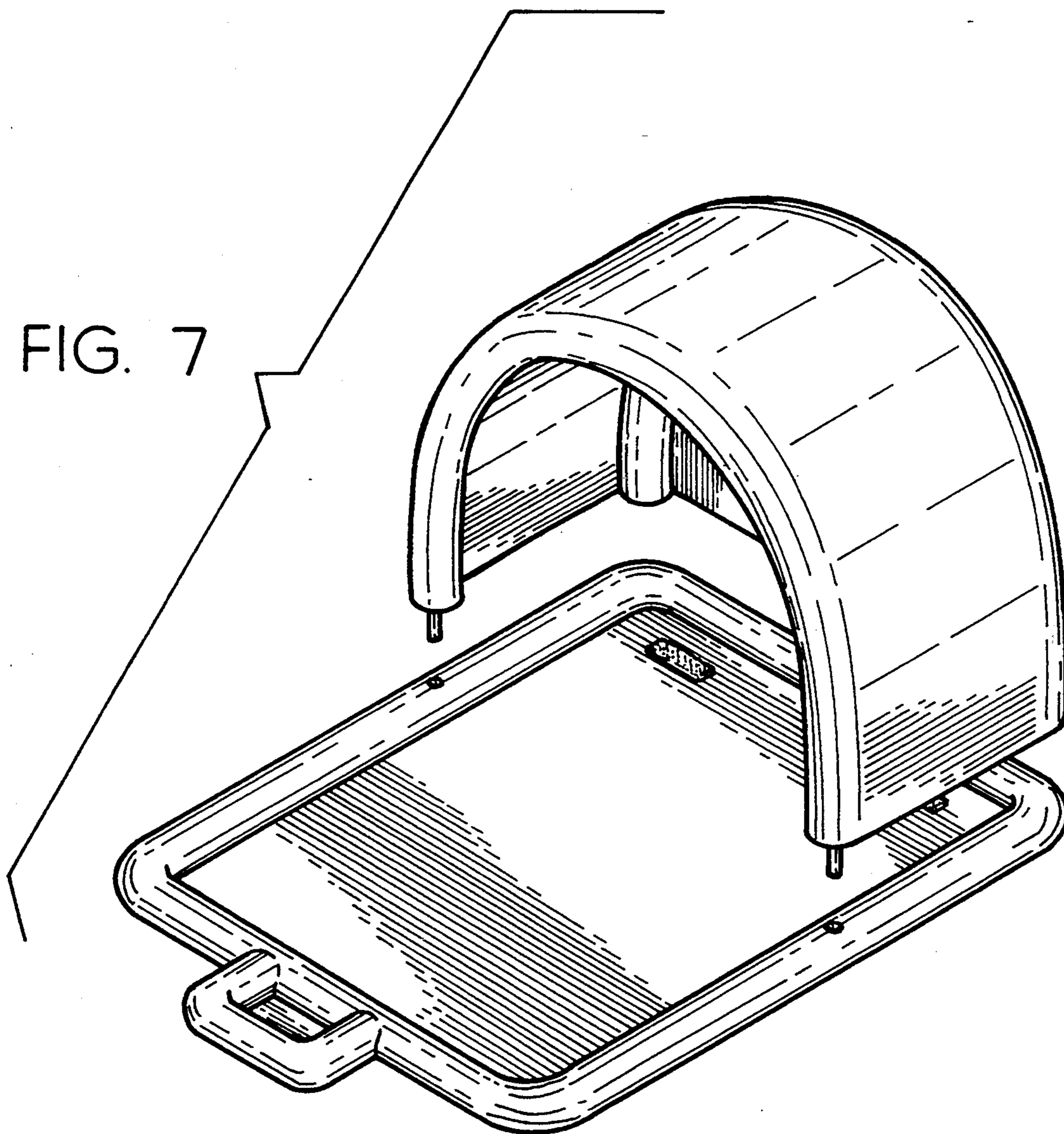


FIG. 6



FIG. 7



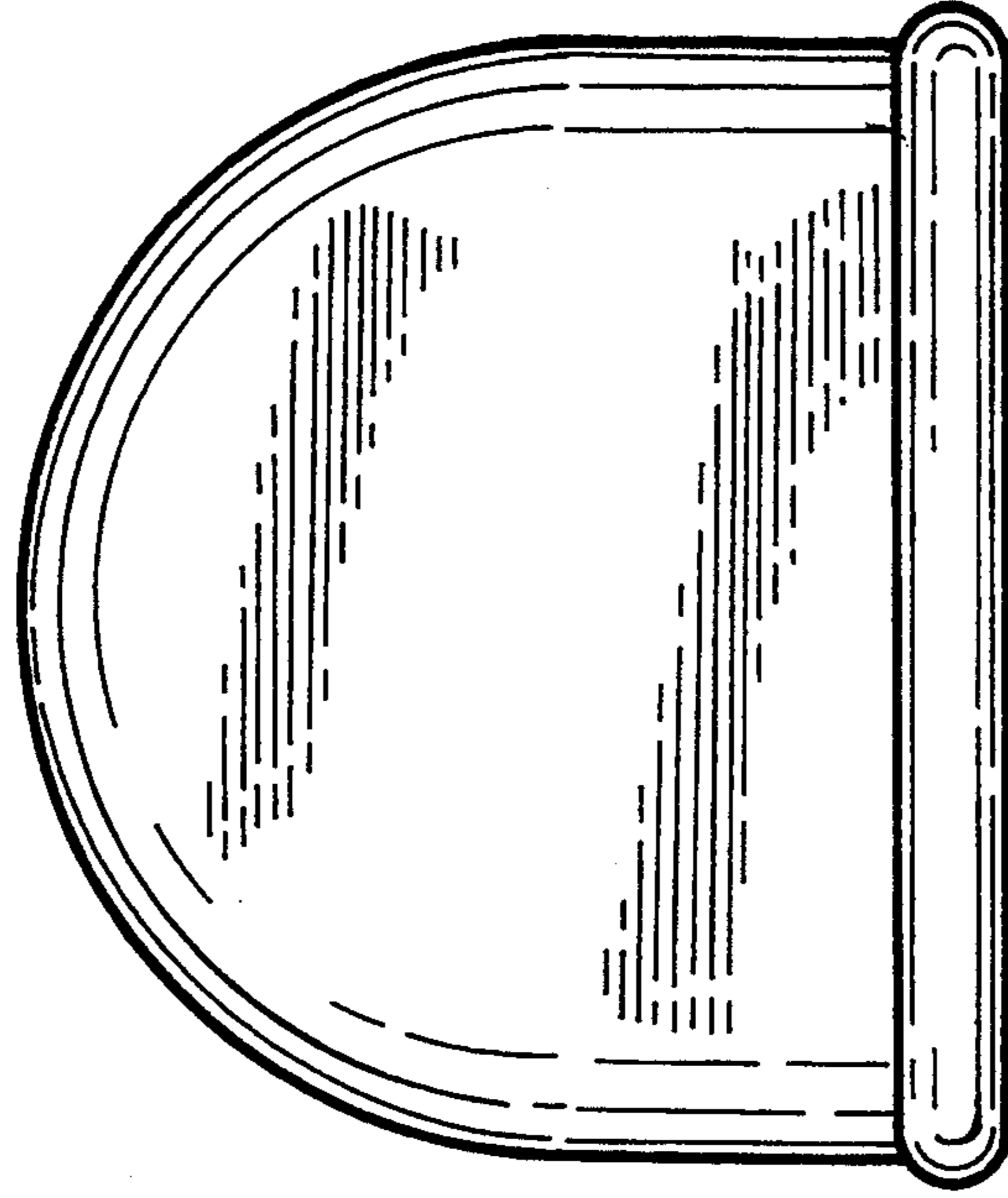


FIG. 9

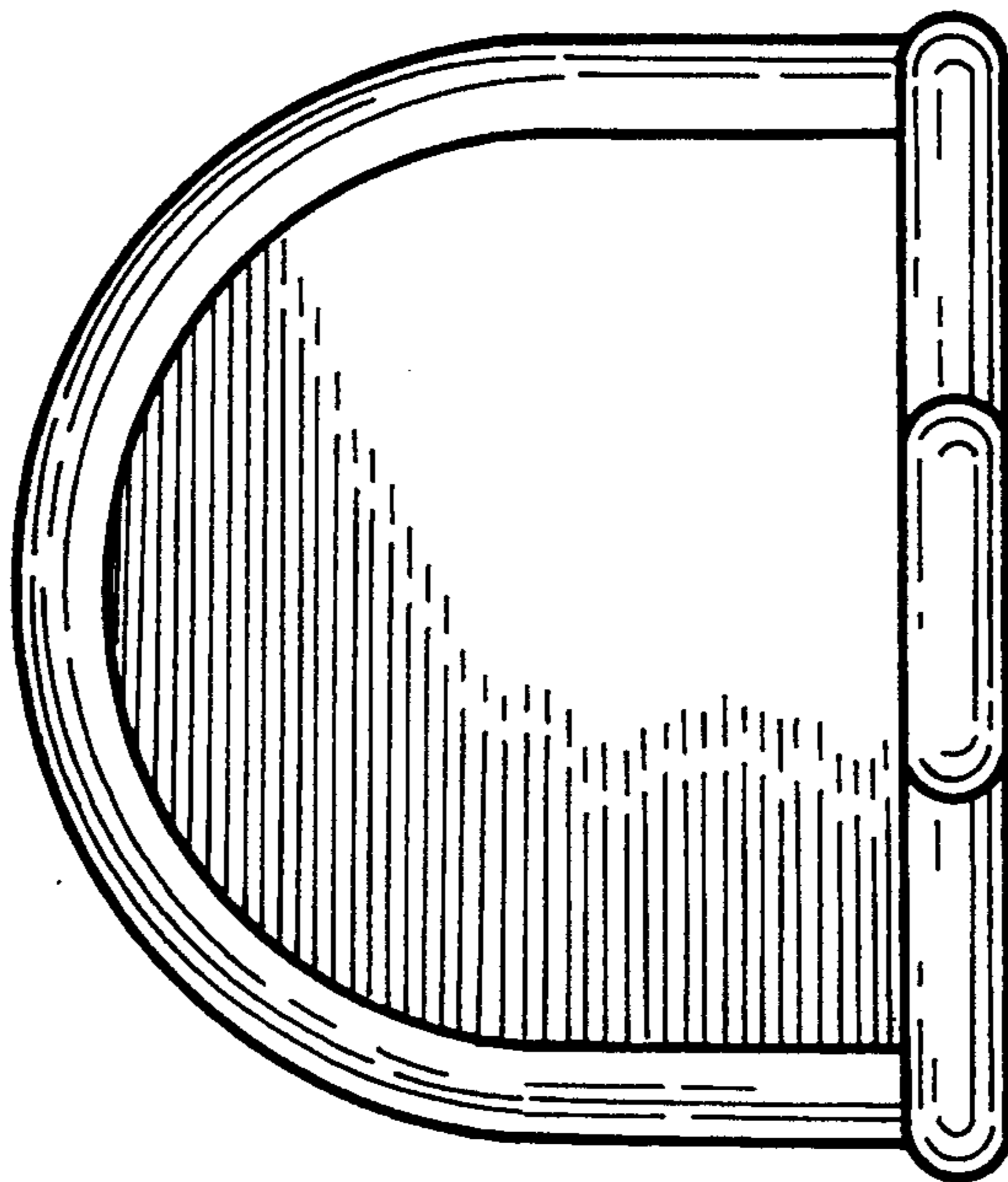


FIG. 8