



US00D362360S

United States Patent [19]

[11] Patent Number: **Des. 362,360**

Lehn et al.

[45] Date of Patent: **** Sep. 19, 1995**

[54] TOILET TISSUE HOLDER

[75] Inventors: **John S. Lehn**, Reading; **Leslie A. Meck**, Blandon; **Julie A. Pirsch**, Wayne, all of Pa.

[73] Assignee: **Baldwin Hardware Corporation**, Reading, Pa.

[**] Term: **14 Years**

[21] Appl. No.: **14,380**

[22] Filed: **Oct. 20, 1993**

[52] U.S. Cl. **D6/523**

[58] Field of Search **D6/546, 550, 518, 522-523; 211/16, 86-87, 123; 242/570, 590, 598**

[56] References Cited

U.S. PATENT DOCUMENTS

D. 293,867	1/1988	Fayerman et al. .	
D. 295,006	4/1988	Fayerman et al. .	
D. 296,964	8/1988	Jans	D6/548
D. 298,710	11/1988	Fayerman et al. .	
D. 299,398	1/1989	Fayerman et al. .	
D. 299,604	1/1989	Fayerman et al. .	
D. 329,559	9/1992	Paul	D6/546 X

OTHER PUBLICATIONS

Solid Brass Maxwell Collection Catalog.
Park Avenue Collection Solid Brass Catalog.
Series Evergreen Catalog-Jadd.
Classica Collection-Melard.
Baldwin Bath "Epic Accessories" Catalogue Manhattan Style fixtures, p. 11.

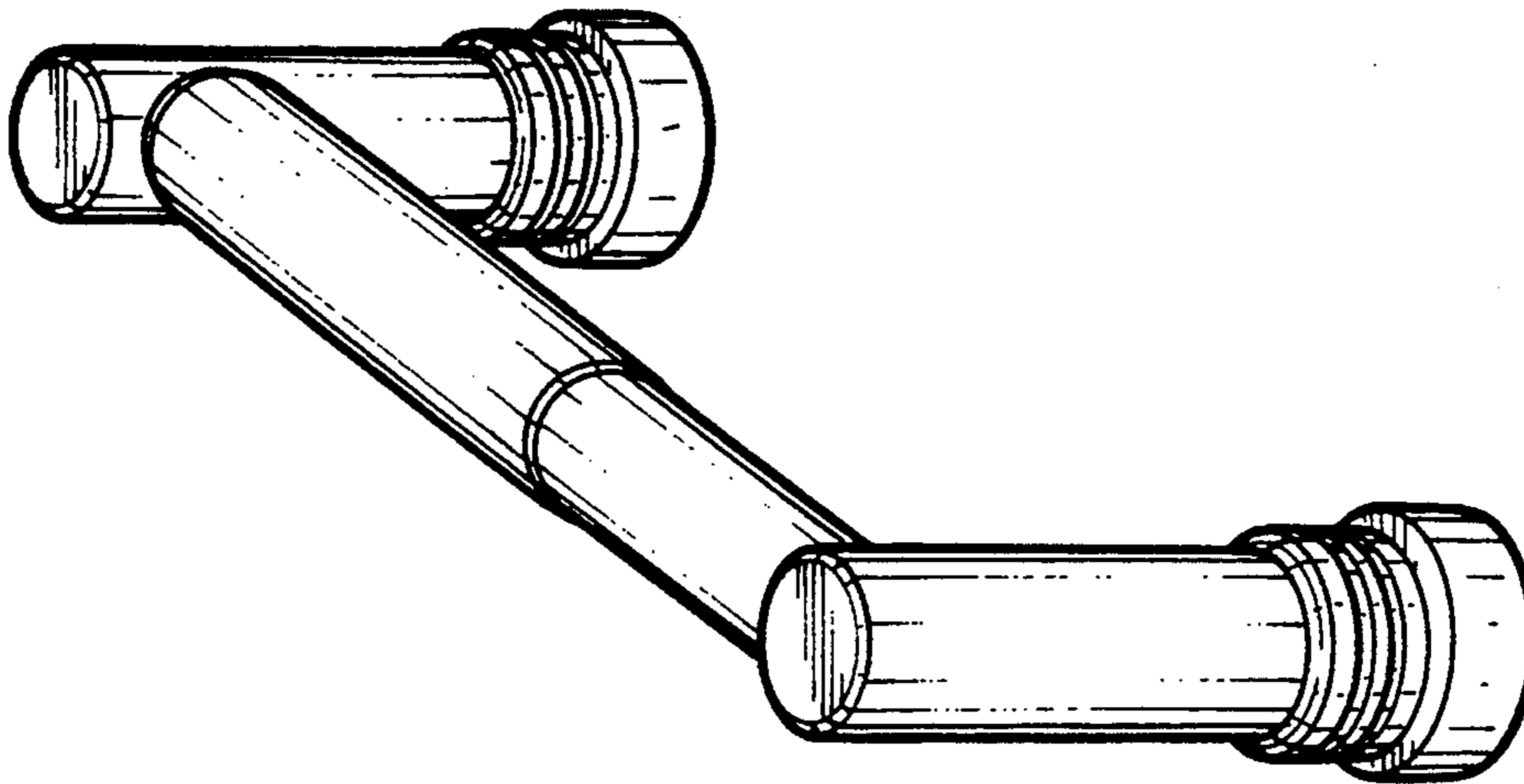
Primary Examiner—Brian N. Vinson
Attorney, Agent, or Firm—Myron B. Kapustij; Malcolm L. Sutherland

[57] CLAIM

The ornamental design for a toilet tissue holder, as shown as described.

DESCRIPTION

FIG. 1 is a top perspective view of a toilet tissue holder showing our new design;
FIG. 2 is a front elevational view thereof;
FIG. 3 is a top plan view thereof;
FIG. 4 is a left side elevational view thereof;
FIG. 5 is a right side elevational view thereof; and,
FIG. 6 is a rear elevational view thereof.



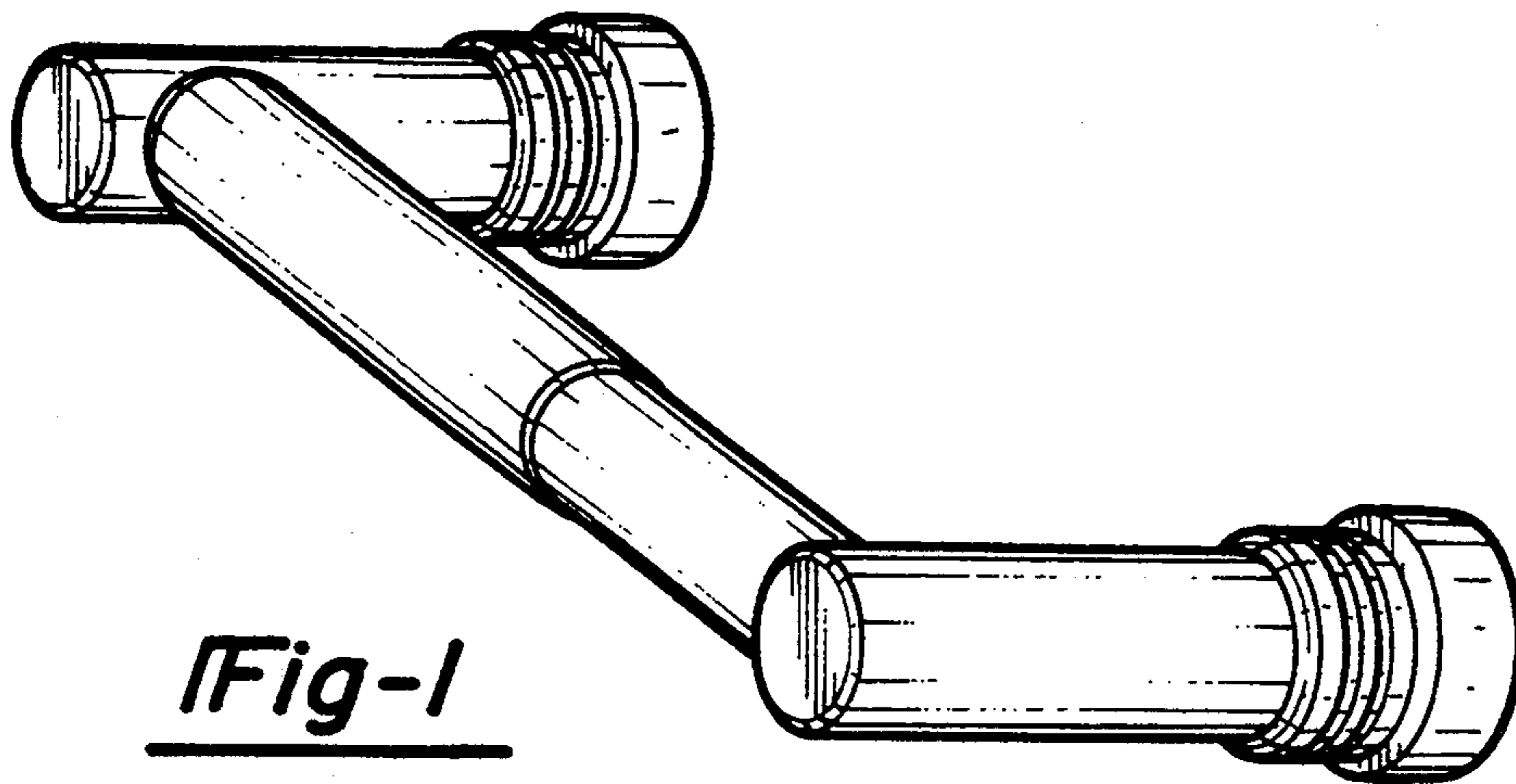


Fig-1

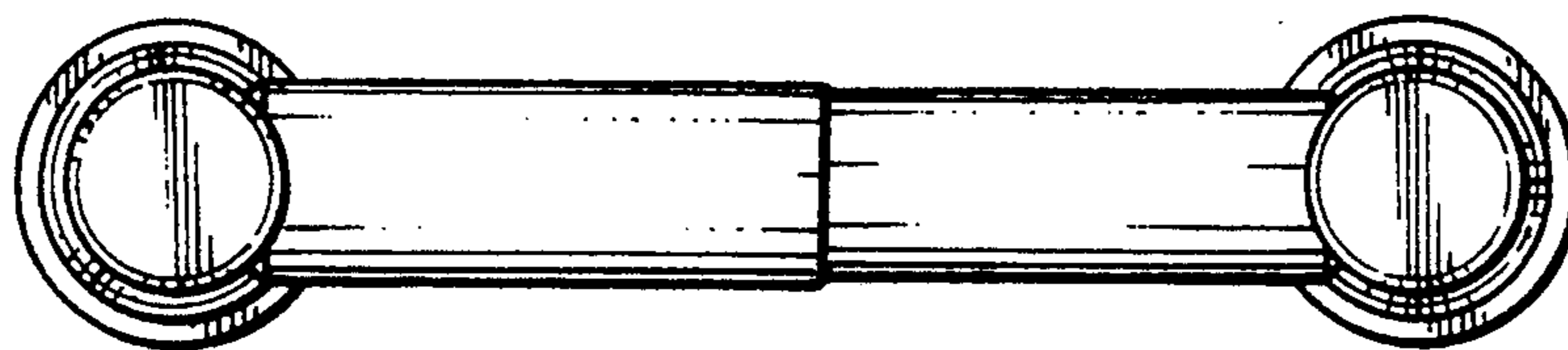


Fig-2

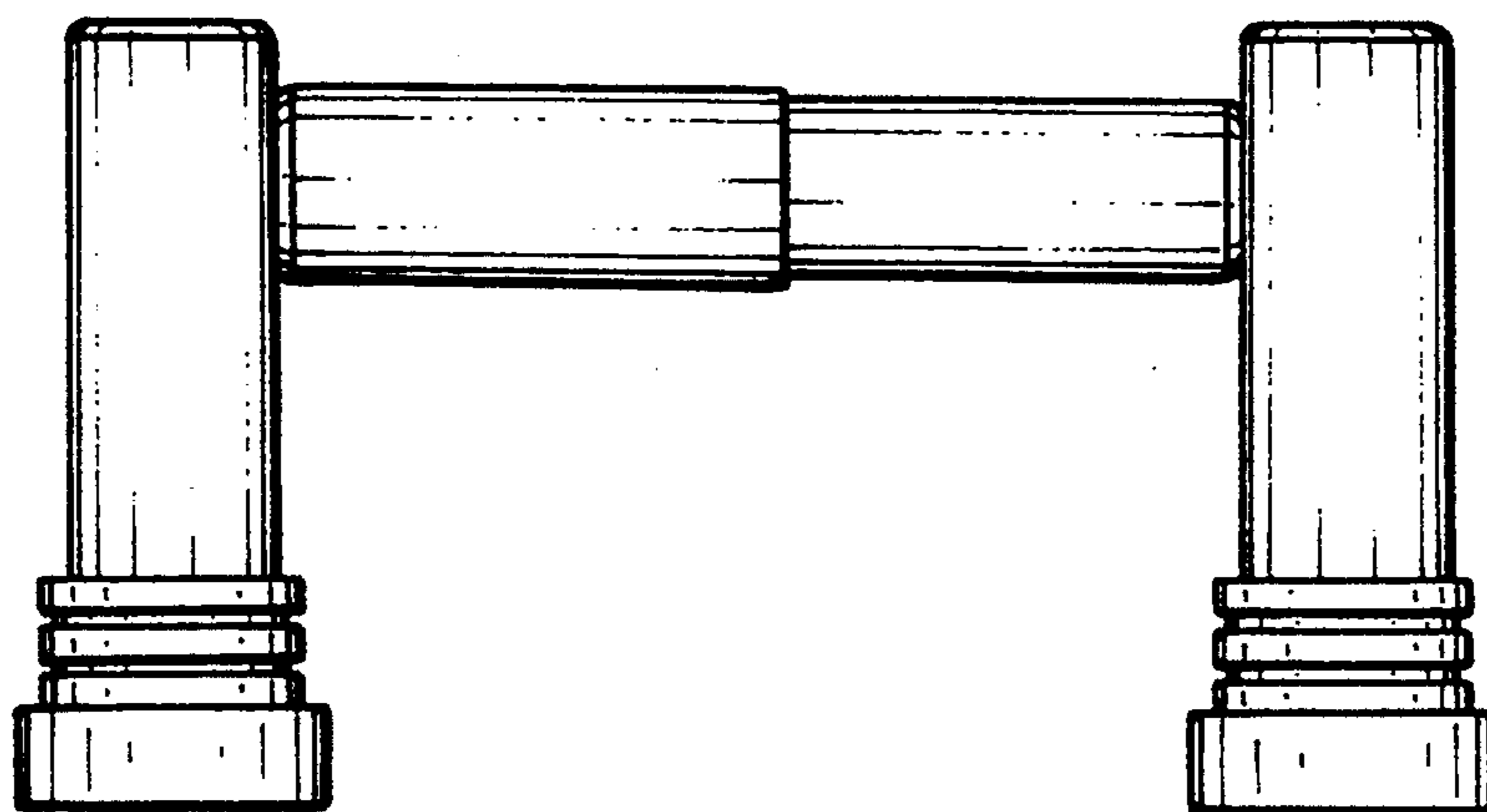


Fig-3

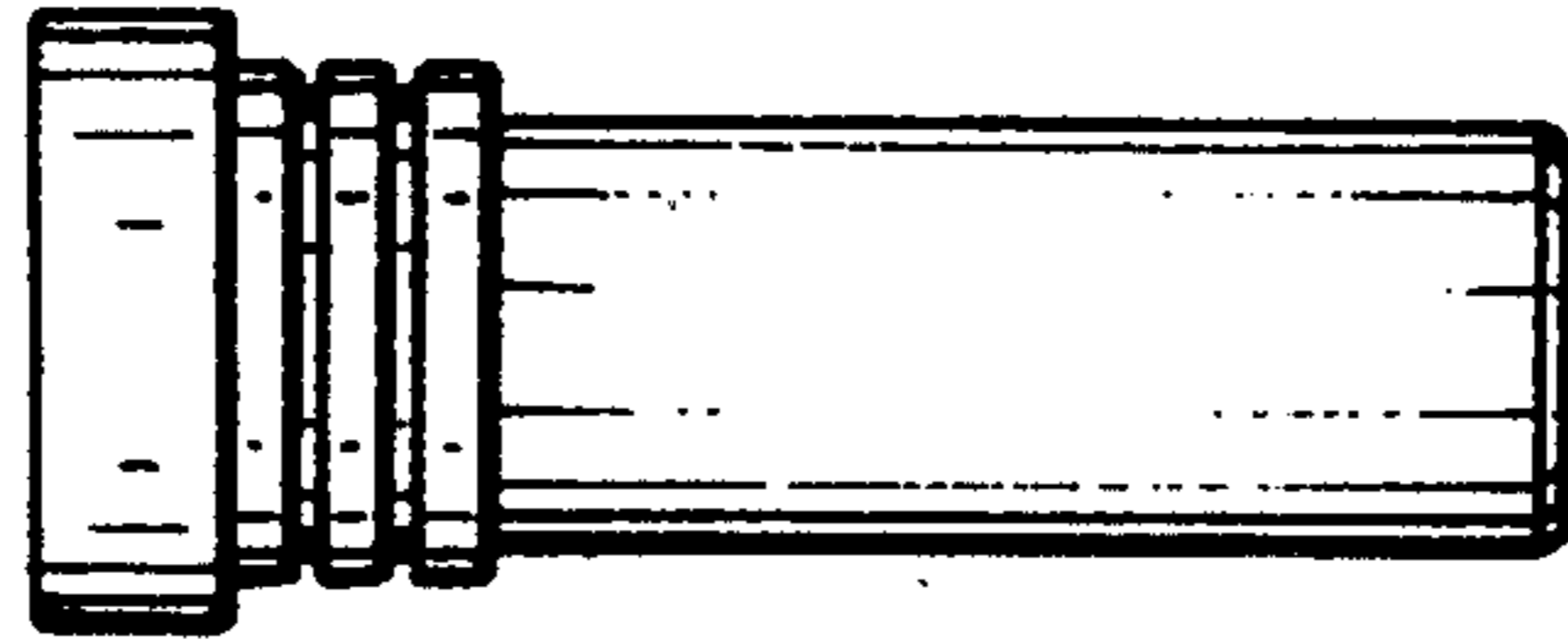


Fig-4

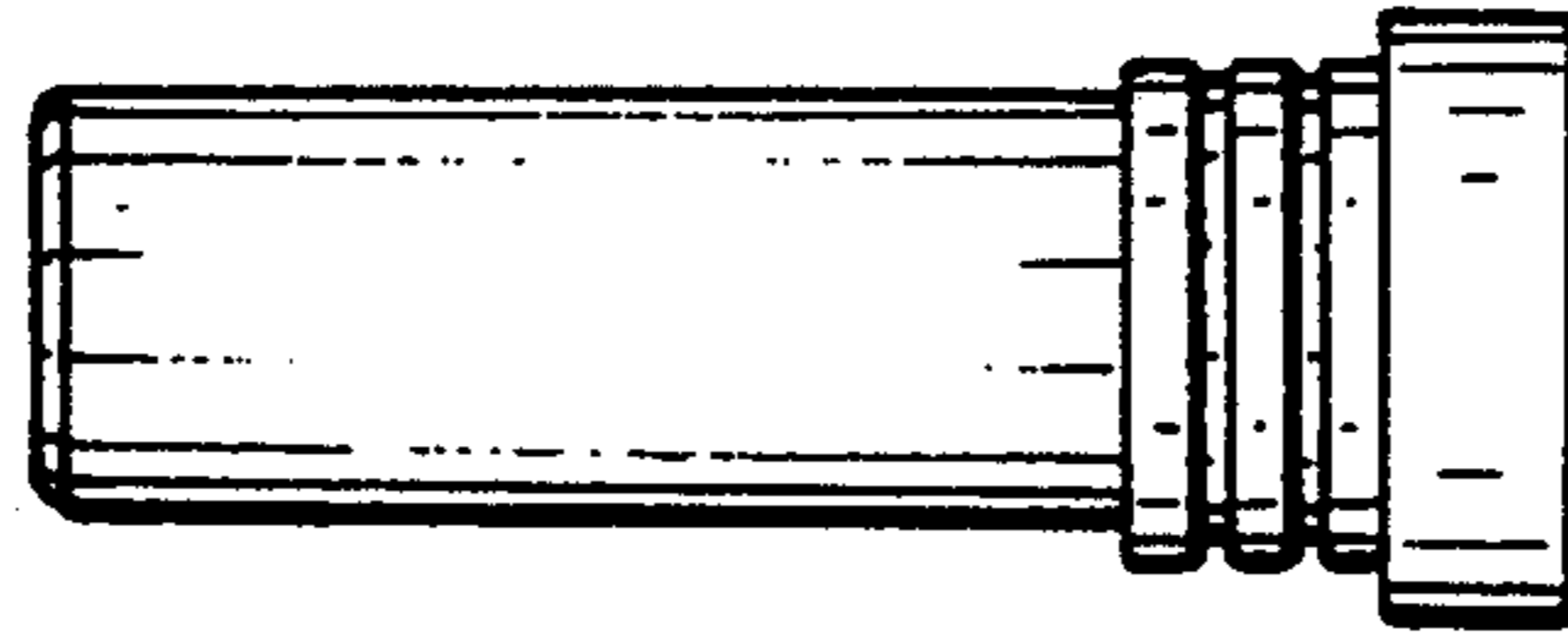


Fig-5

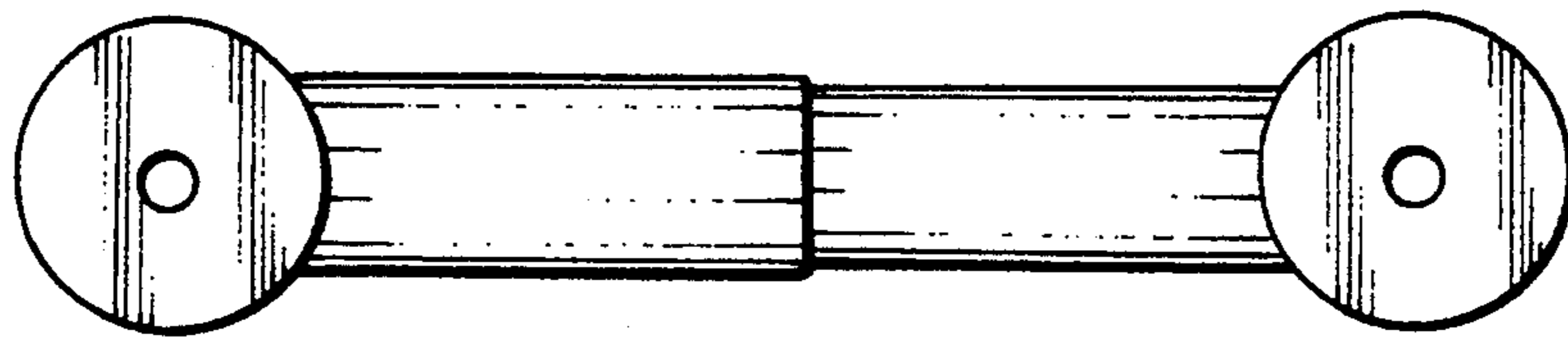


Fig-6