



US00D362358S

# United States Patent [19]

[11] Patent Number: **Des. 362,358**

Hatcher

[45] Date of Patent: **\*\* Sep. 19, 1995**

[54] **COMPUTER STAND WITH SLIDING SHELF**

1,202,046	10/1916	Freeze	108/51.1 X
2,014,176	9/1935	Henderson	45/80
2,757,999	8/1956	DeLyle	312/208.1 X
4,313,112	1/1982	Foster	340/700
4,483,572	11/1984	Story	312/196
4,635,893	1/1987	Nelson	248/558
4,717,112	1/1988	Pirkle	248/639
4,735,467	4/1988	Wolters	312/29
4,893,775	1/1990	Long	248/442.2
5,104,086	4/1992	Ramey, III et al.	248/442.2

[75] Inventor: **David M. Hatcher**, Buffalo, N.Y.

[73] Assignee: **Posting Equipment Corporation**, Buffalo, N.Y.

[\*\*] Term: **14 Years**

[21] Appl. No.: **28,231**

[22] Filed: **Sep. 9, 1994**

### Related U.S. Application Data

[63] Continuation of Ser. No. 15,685, Nov. 24, 1993, which is a continuation-in-part of Ser. No. 934,008, Aug. 21, 1992, Pat. No. Des. 344,652.

[52] U.S. Cl. .... **D6/449**

[58] Field of Search ..... 108/51.1; D6/449, 450, D6/451, 429, 474, 396, 479; 211/90, 151

### [56] References Cited

#### U.S. PATENT DOCUMENTS

D. 285,632	9/1986	Axhamre	D6/474
D. 287,678	1/1987	Hatcher et al.	D14/114 X
D. 298,493	11/1988	Hatcher et al.	D6/429 X
D. 300,291	3/1989	Naes	D6/474
D. 307,033	4/1990	Kirchner	D6/449 X
D. 308,537	6/1990	Clark	D6/490 X
D. 316,710	5/1991	Drake et al.	D14/114
D. 325,826	5/1992	Brunner et al.	D6/396 X
D. 330,892	11/1992	Hassel et al.	D14/114
D. 333,300	2/1993	Hatcher	D14/114
D. 337,458	7/1993	Doria	D6/449
D. 344,652	3/1994	Hatcher	.

### OTHER PUBLICATIONS

Bretford Product Guide, Feb. 1989, p. 13.

*Primary Examiner*—Alan P. Douglas

*Assistant Examiner*—S. Snapp

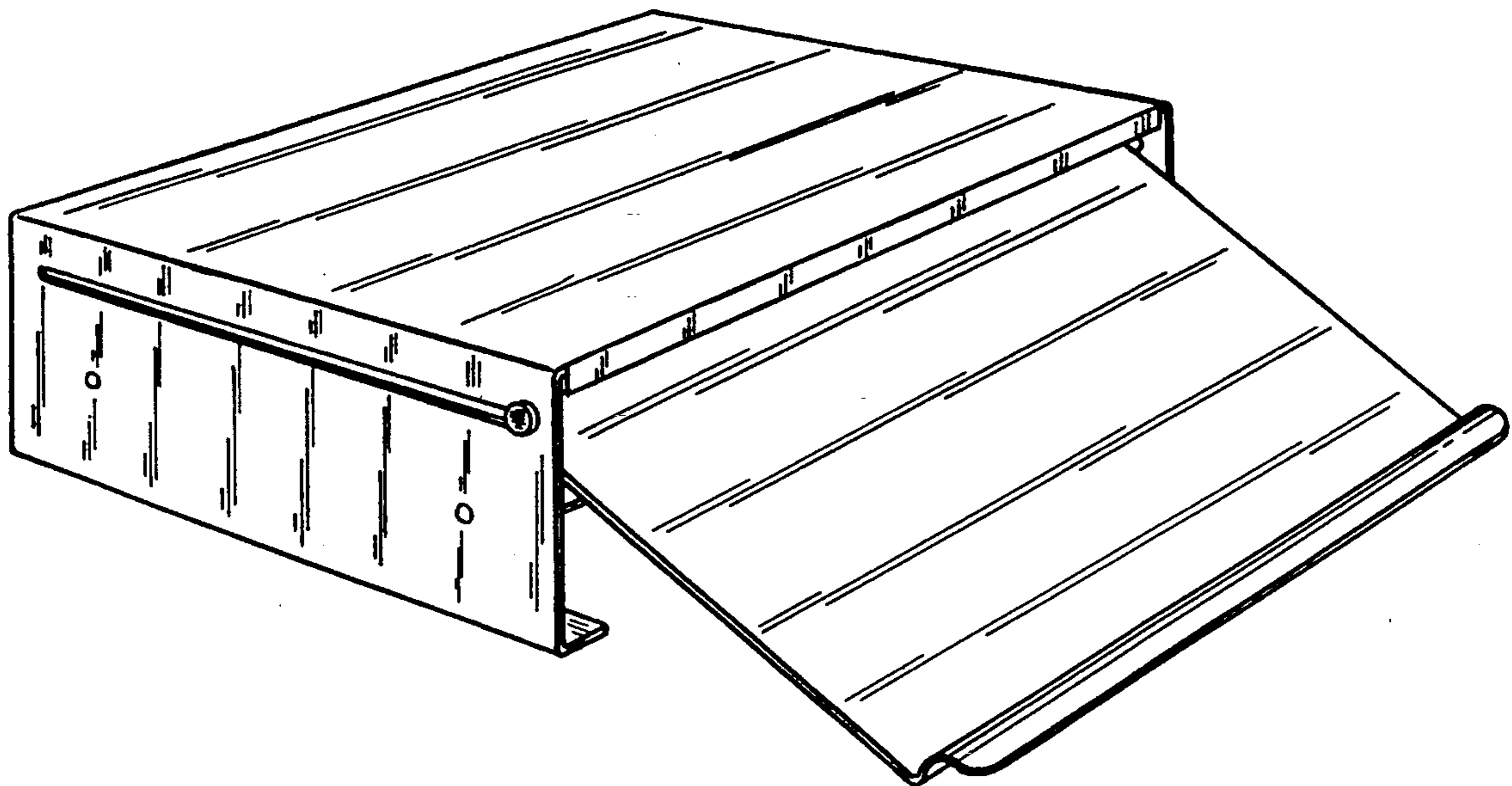
*Attorney, Agent, or Firm*—Hodgson, Russ, Andrews, Woods & Goodyear

### [57] CLAIM

The ornamental design for a computer stand with sliding shelf, as shown and described.

### DESCRIPTION

FIG. 1 is a front elevational view of a computer stand with sliding shelf showing my new design; FIG. 2 is a rear elevation view thereof; FIG. 3 is a left side elevational view thereof; FIG. 4 is a top plan view thereof; FIG. 5 is a bottom view thereof; FIG. 6 is a right side elevational view thereof, the shelf shown extended from the front side; FIG. 7 is a perspective view thereof; and, FIG. 8 is a perspective view thereof, the shelf shown extended from the front side.



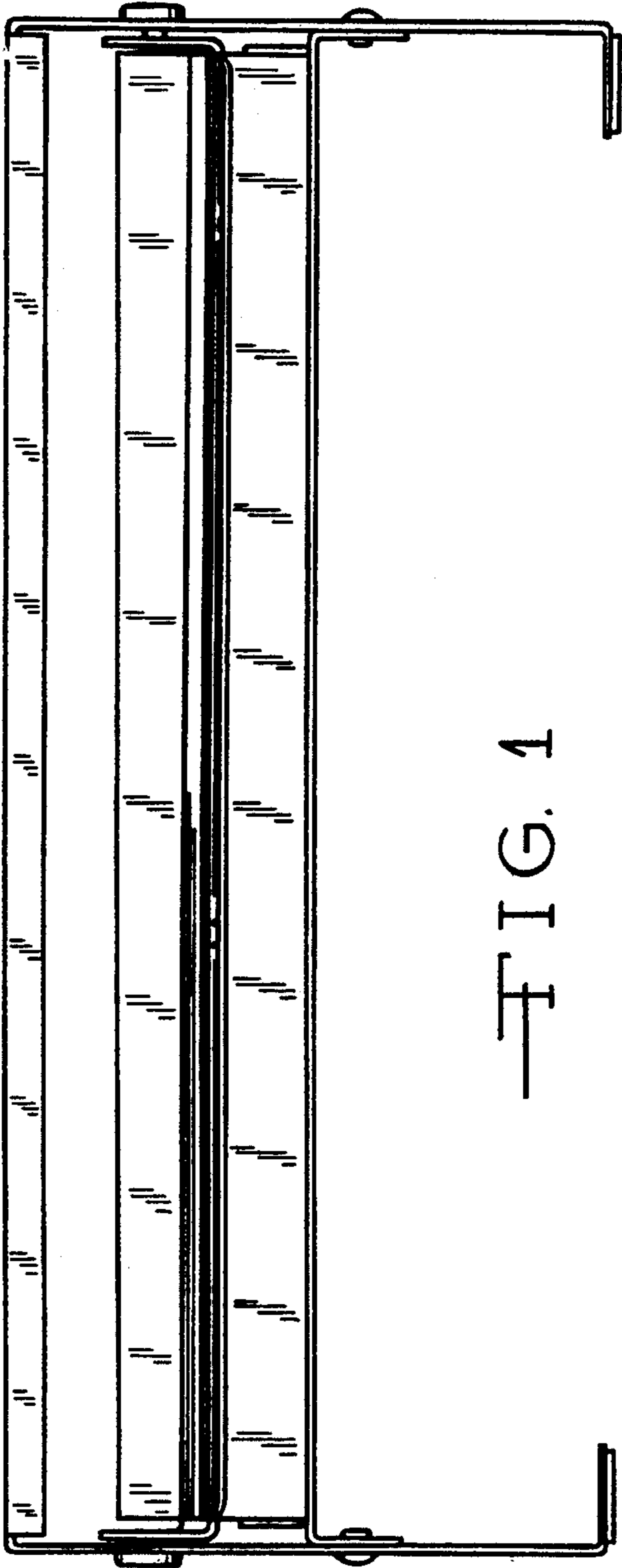


FIG. 1

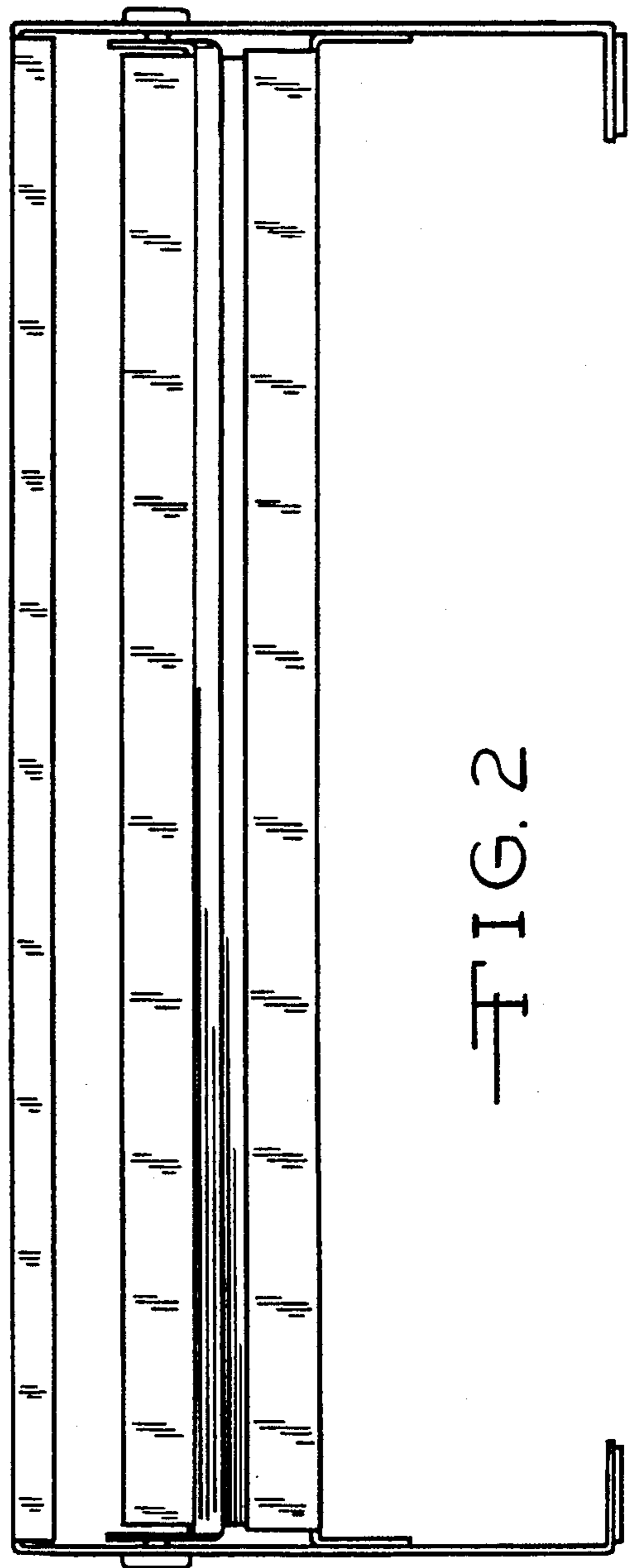
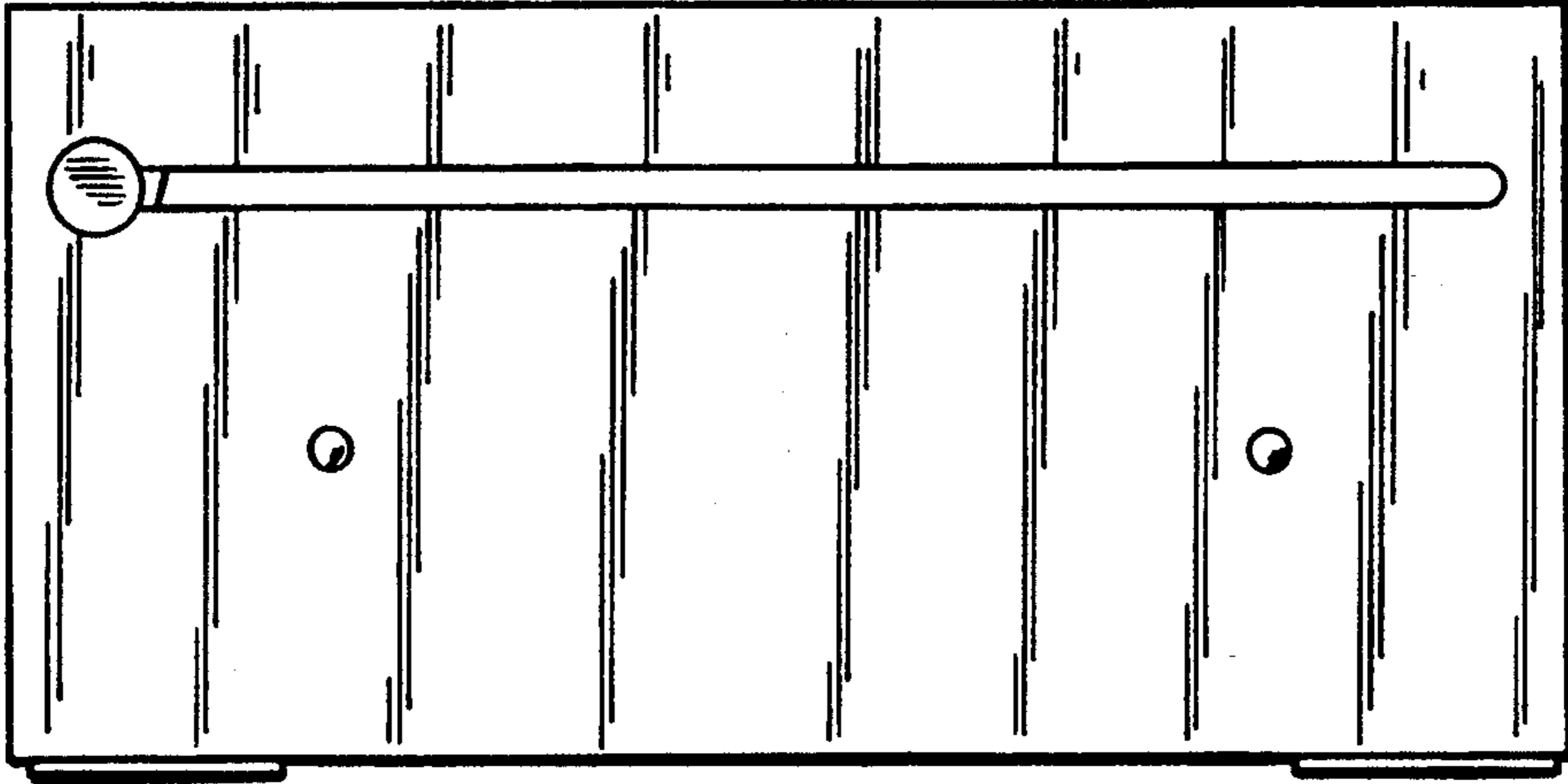
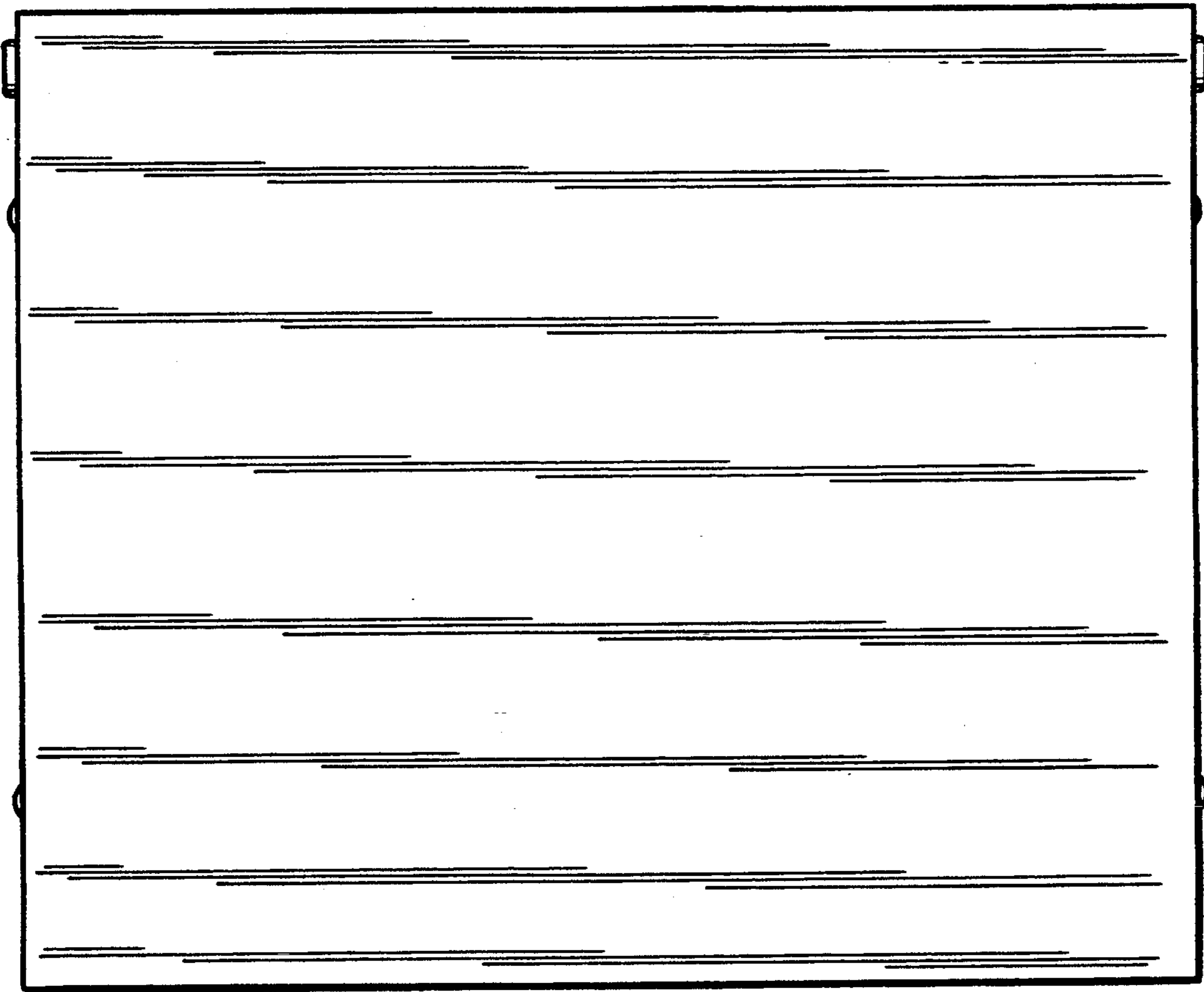


FIG. 2



—FIG. 3



—FIG. 4

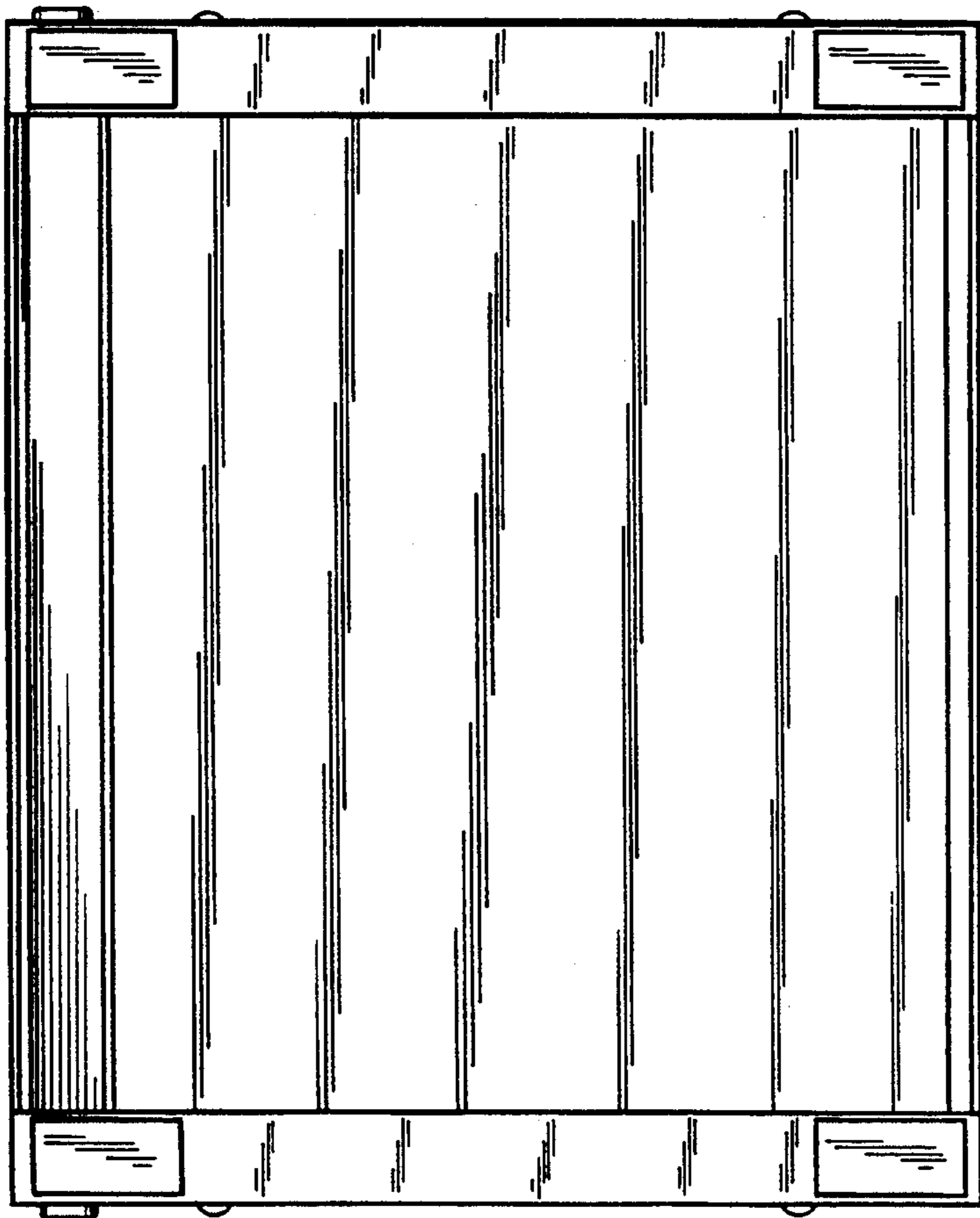


FIG. 5

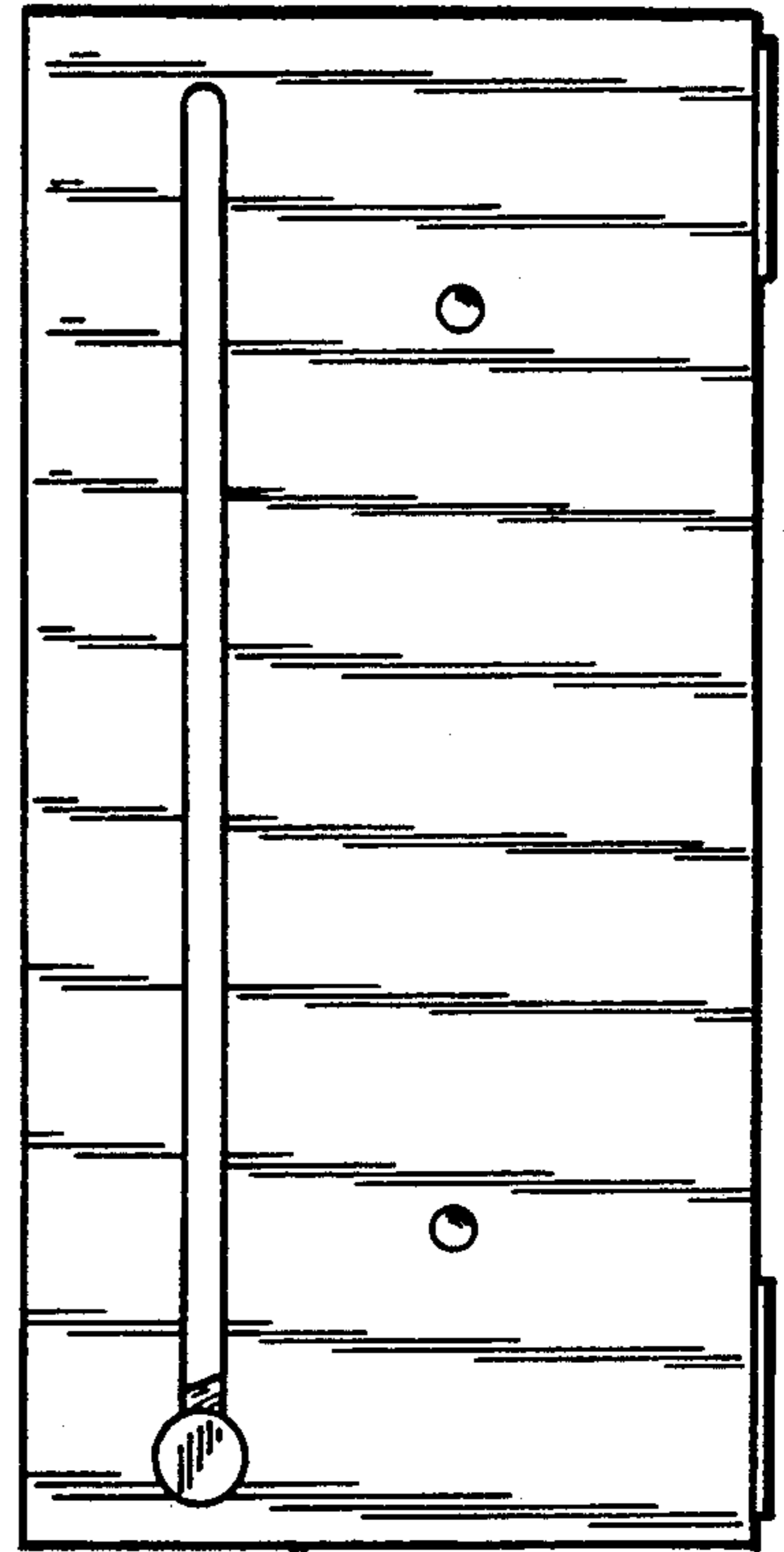


FIG. 6

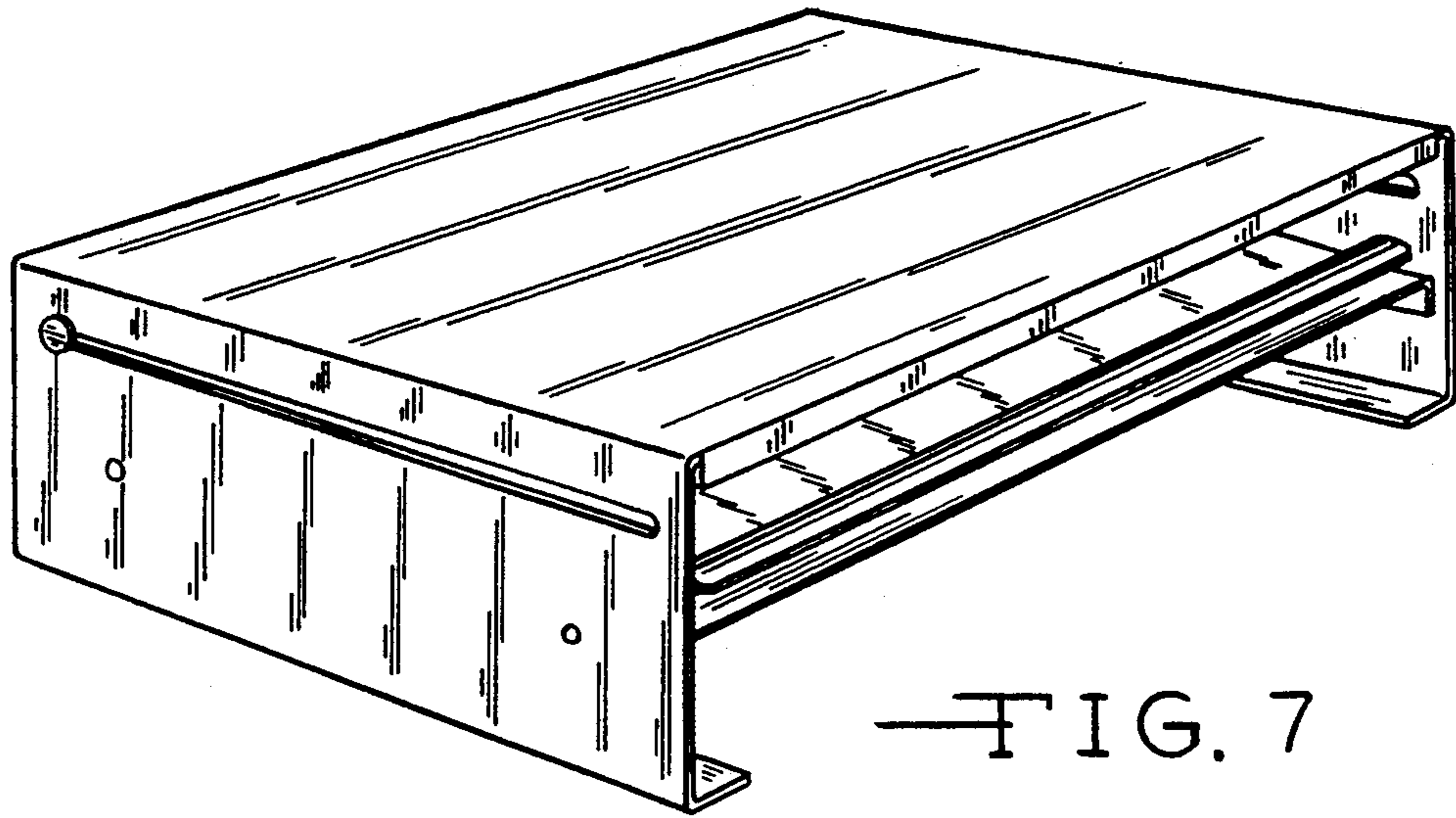


FIG. 7

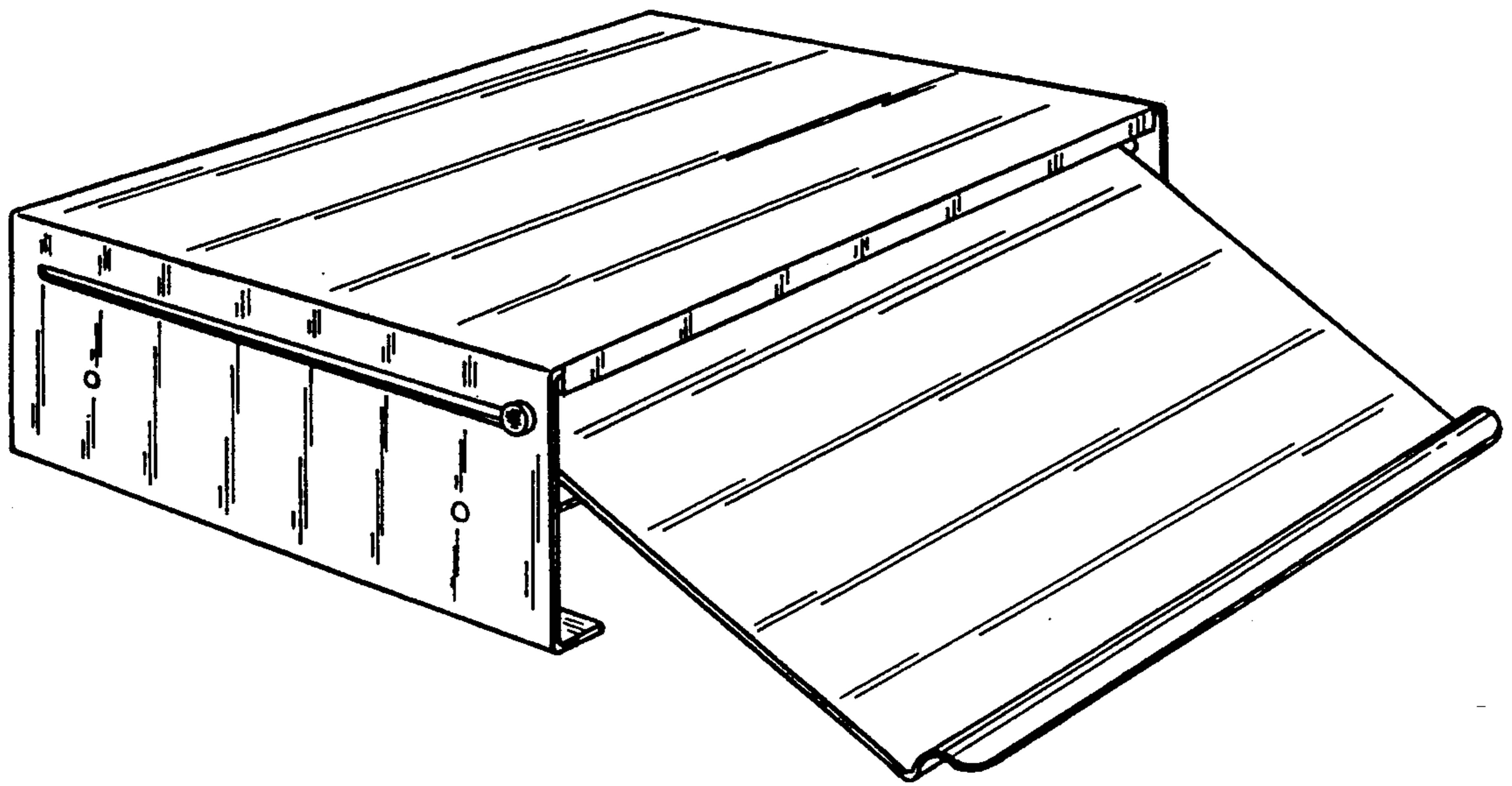


FIG. 8