



US00D362356S

United States Patent [19]

Nicholas

[11] Patent Number: **Des. 362,356**

[45] Date of Patent: **** Sep. 19, 1995**

[54] **TOMATO PLANT SUPPORT**

[76] Inventor: **Steve A. Nicholas, 480 Lily St., North Huntingdon, Pa. 15642**

[**] Term: **14 Years**

[21] Appl. No.: **14,261**

[22] Filed: **Oct. 18, 1993**

[52] U.S. Cl. **D6/417; D11/164**

[58] Field of Search **D6/417; D11/164; 47/44 R, 47 R, 47 L, 47 S, 45 R, 45 C, 47 L; 248/87, 156, 530, 545**

| | | | |
|-----------|---------|------------------|---------|
| 4,026,068 | 5/1977 | Tepper | 47/45 C |
| 4,048,752 | 9/1977 | Anderson | 47/47 S |
| 4,677,788 | 7/1987 | Mastandrea | 47/47 S |
| 4,914,857 | 4/1990 | Dodgen . | |
| 5,048,231 | 9/1991 | Brown . | |
| 5,067,274 | 11/1991 | Lewis . | |
| 5,179,799 | 1/1993 | Hillestad . | |
| 5,341,593 | 8/1994 | Foreman | 47/47 |

Primary Examiner—Carmen H. Vales-Lado

[57] **CLAIM**

The ornamental design for a tomato plant support, as shown and described.

DESCRIPTION

FIG. 1 is a front elevational view of the tomato plant support showing my new design; FIG. 2 is a rear elevational view thereof; FIG. 3 is a left side elevational view thereof; FIG. 4 is a right side elevational view thereof; FIG. 5 is a top plan view thereof; and, FIG. 6 is a bottom plan view thereof.

[56] **References Cited**

U.S. PATENT DOCUMENTS

| | | | |
|------------|--------|-----------------|-----------|
| D. 318,442 | 7/1991 | Cheek | D11/164 |
| 703,019 | 6/1902 | Thomas | 47/47 L |
| 2,000,911 | 5/1935 | Balousek | 47/47 L X |
| 2,557,731 | 6/1951 | Felsing | 47/45 C |
| 2,780,869 | 2/1957 | Long | 248/156 |
| 2,990,647 | 7/1961 | Himebaugh | 47/47 L |

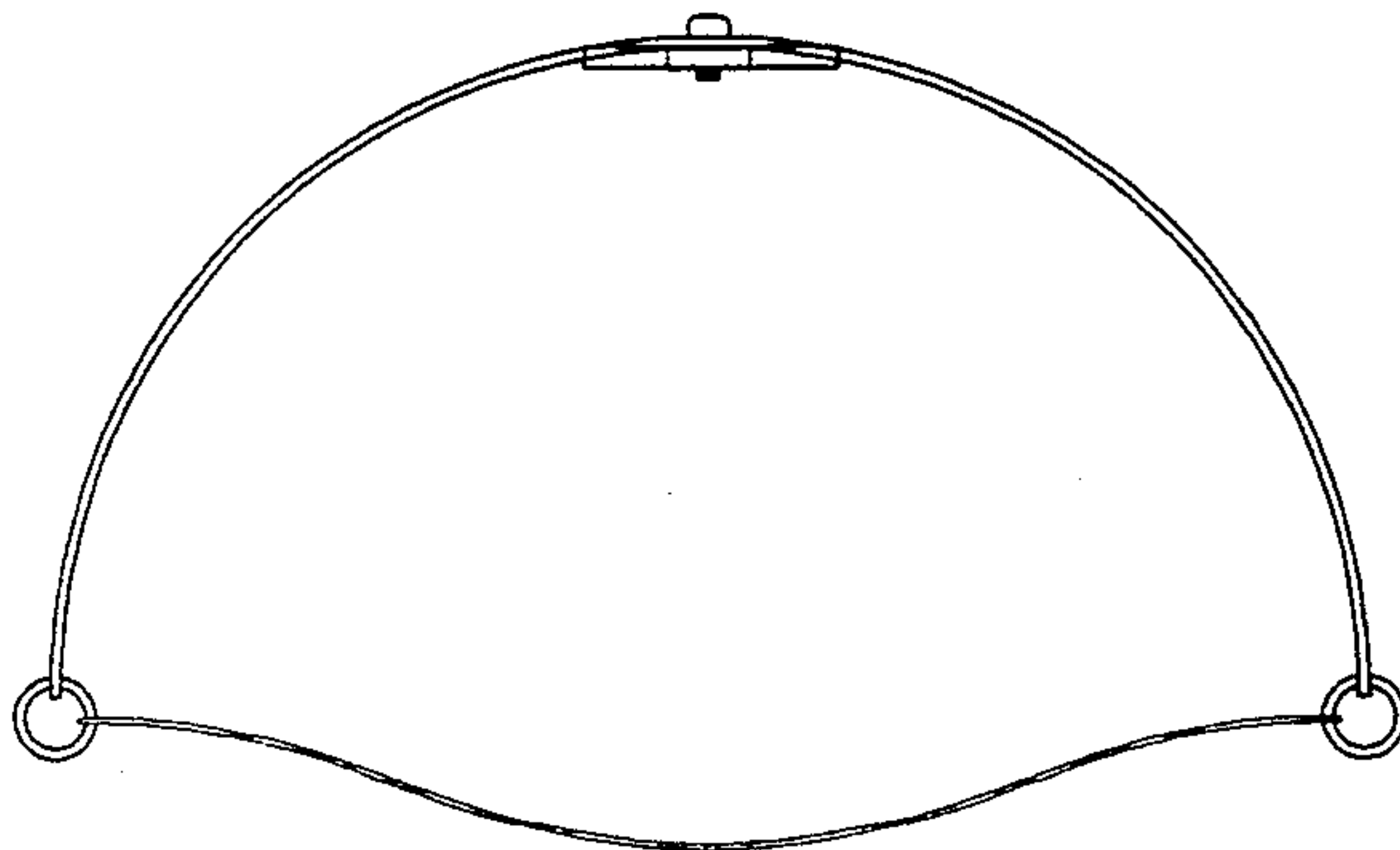
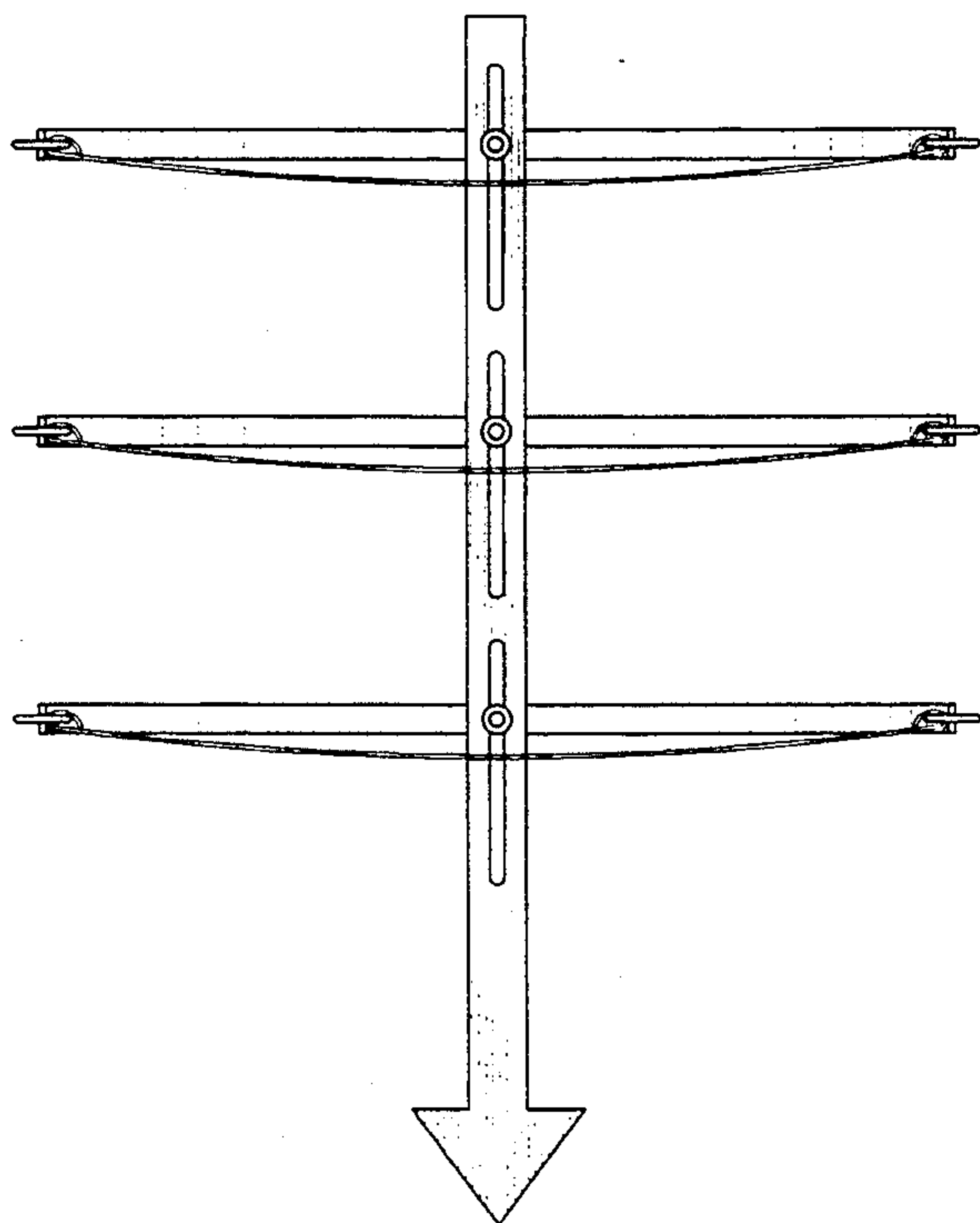


FIG. 1

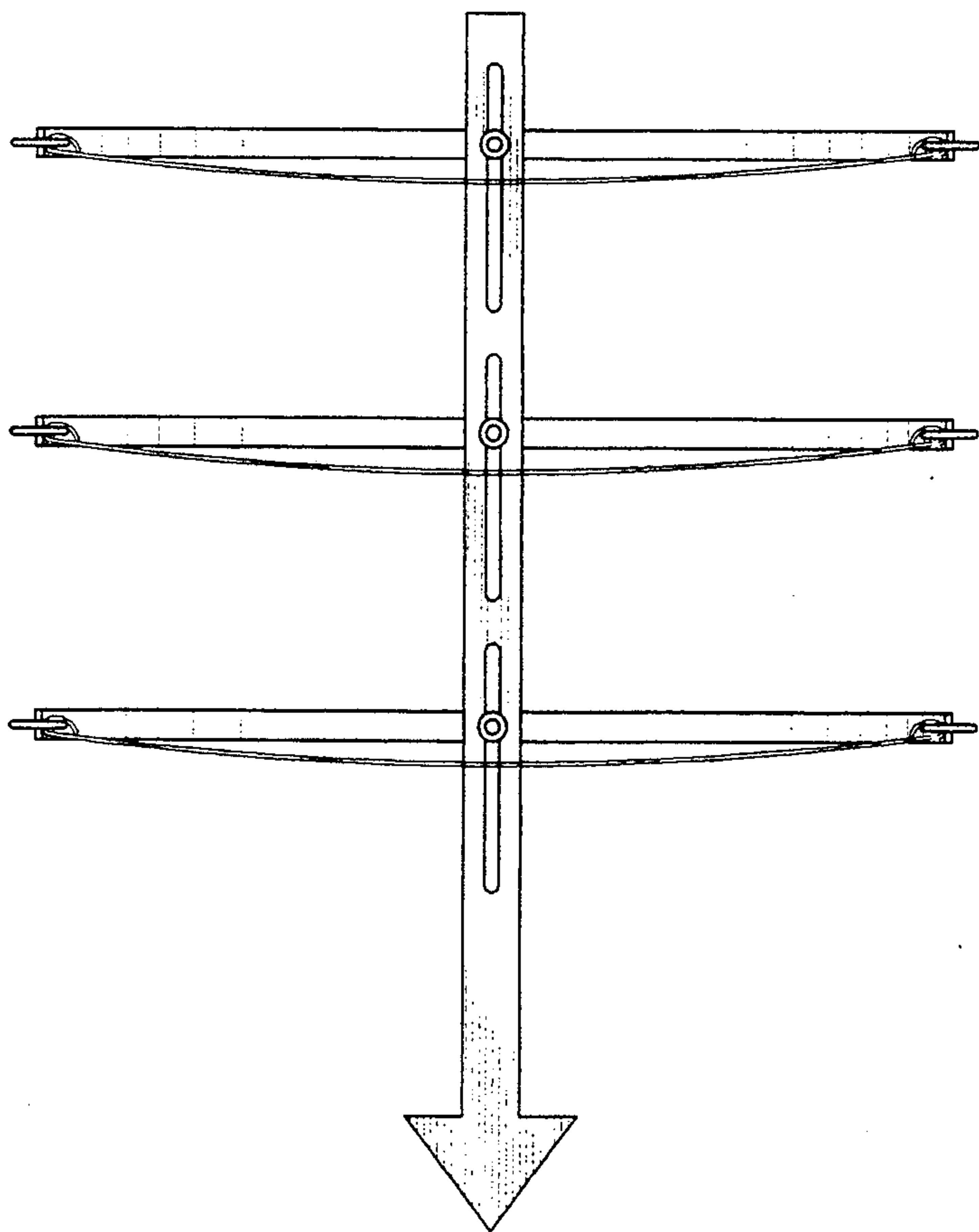


FIG. 2

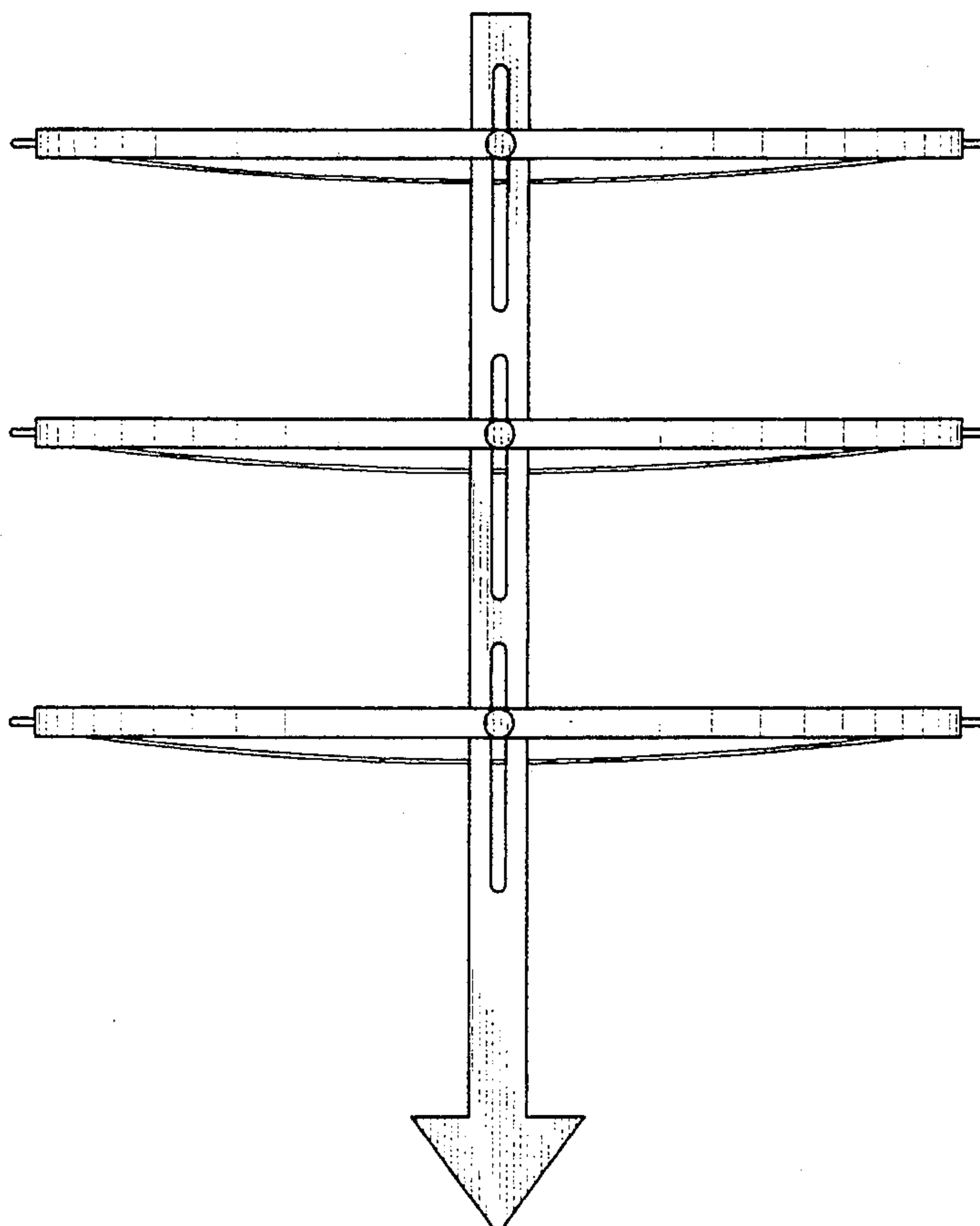


FIG. 3

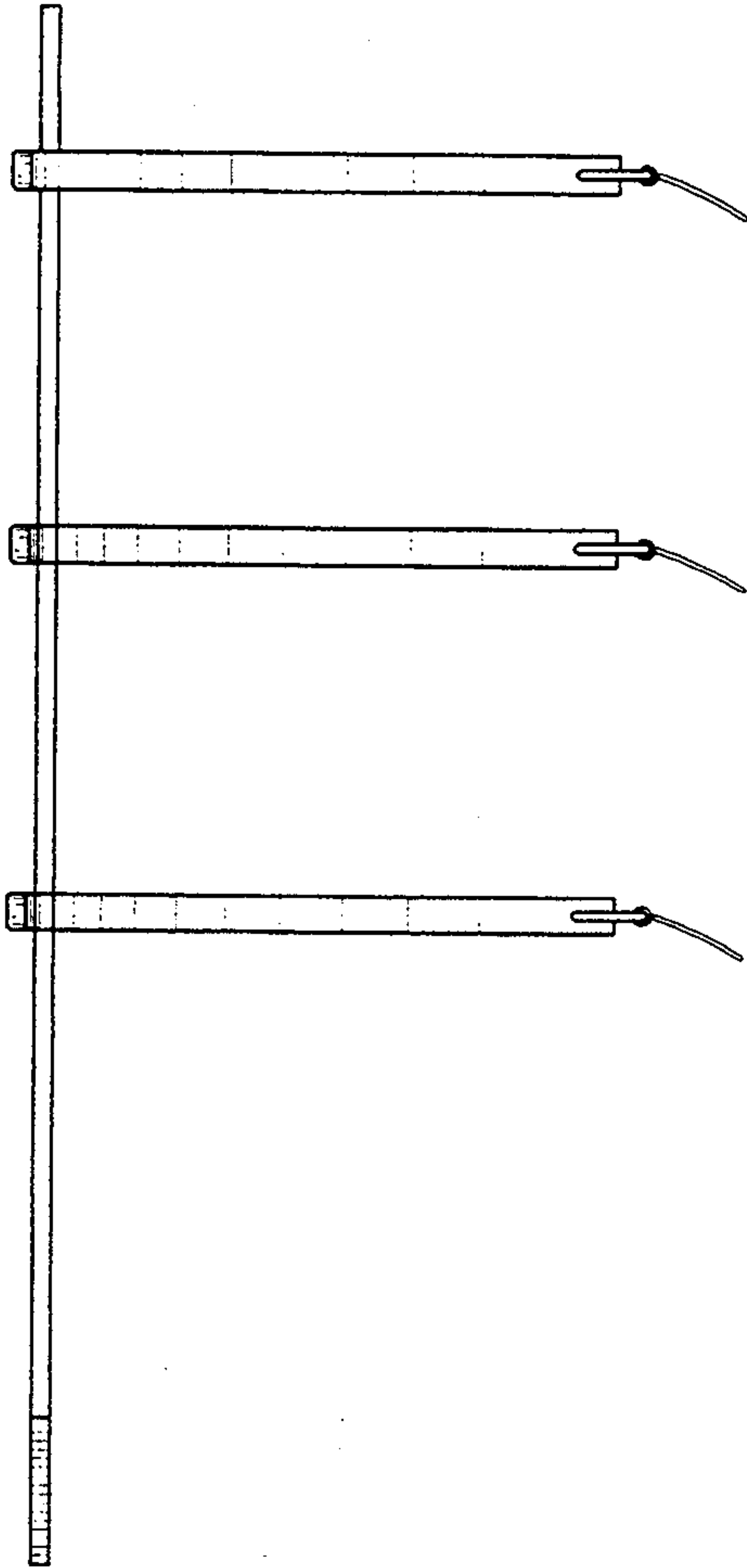


FIG. 4

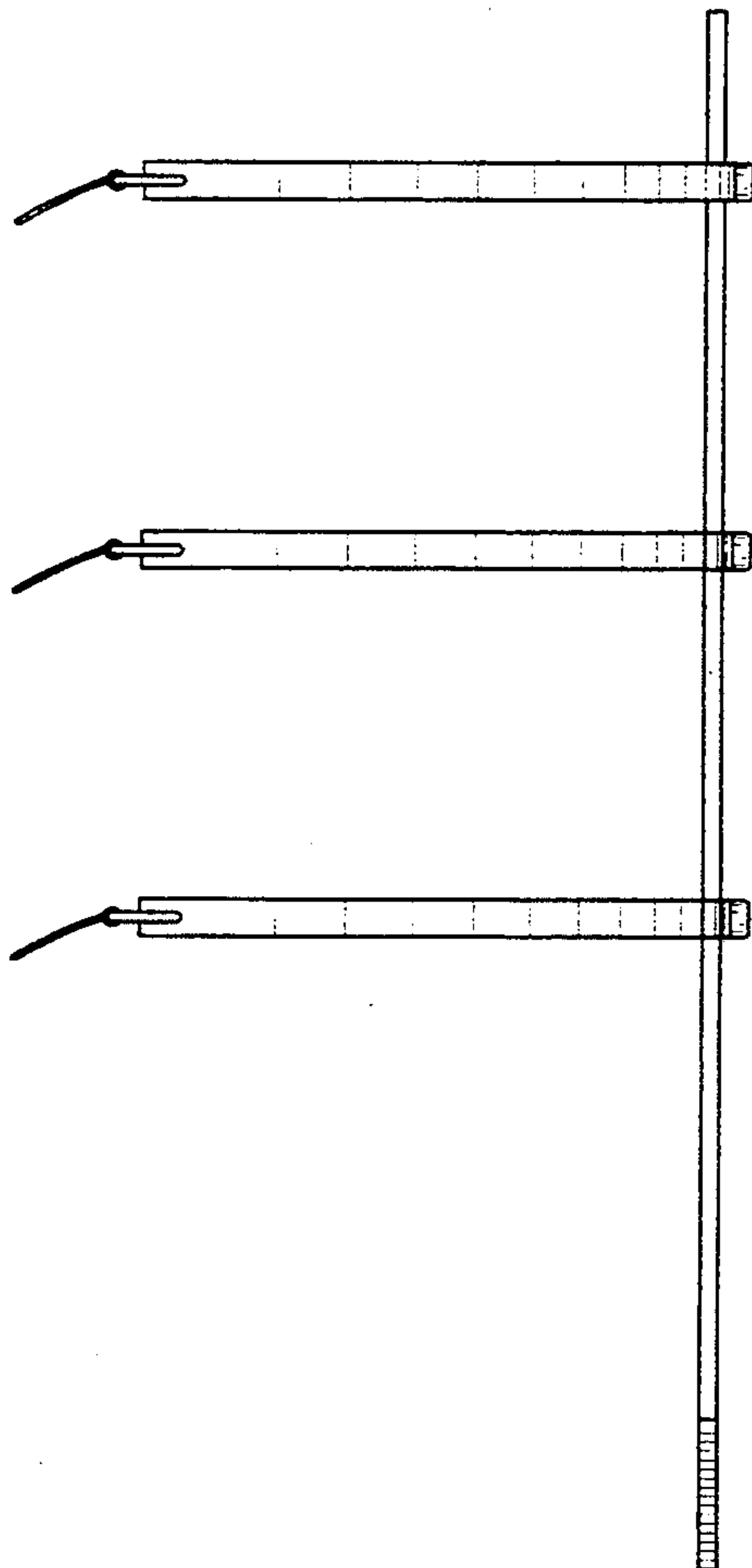


FIG. 5

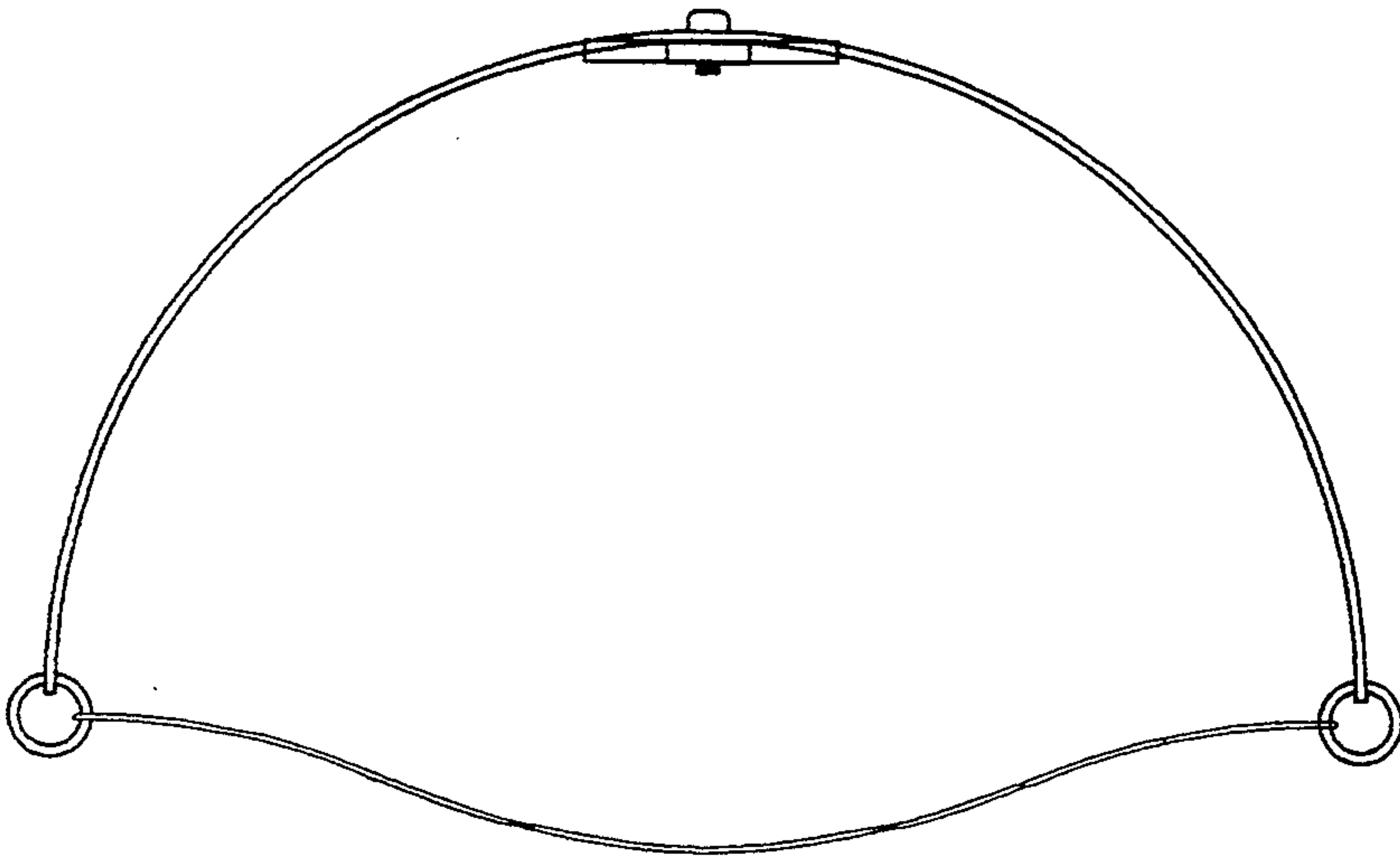


FIG. 6

