



US00D362355S

United States Patent [19]

[11] Patent Number: **Des. 362,355**

Natuzzi et al.

[45] Date of Patent: **** Sep. 19, 1995**

- [54] SOFA
- [75] Inventors: **Pasquale Natuzzi; Raffaella Lucarelli**, both of Santeramo In Colle, Italy
- [73] Assignee: **Industrie Natuzzi S.p.A.**, Bari, Italy
- [**] Term: **14 Years**
- [21] Appl. No.: **18,483**
- [22] Filed: **Feb. 4, 1994**
- [52] U.S. Cl. **D6/381**
- [58] Field of Search D6/334, 335, 336, 364, D6/371, 373, 381, 500, 501, 502; D5/56; 297/232

- [56] **References Cited**
- U.S. PATENT DOCUMENTS**
- D. 270,404 9/1983 Saporiti D6/381
- D. 293,283 12/1987 Formenti D6/381

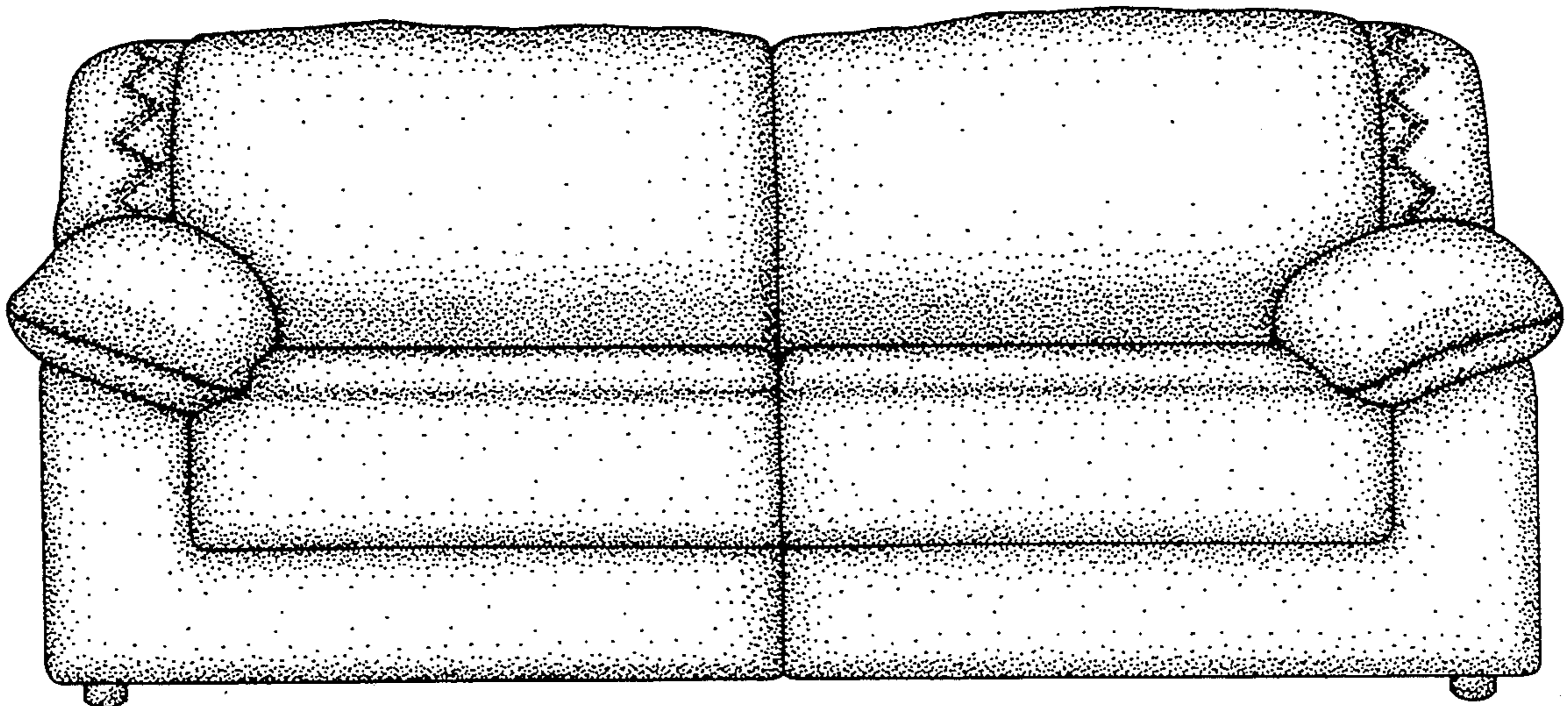
- OTHER PUBLICATIONS**
- Domus, May 1981, P. WWW, sofa at bottom.
- Kenmore Instruction Book, Purchased Mar. 1983, zig-zag stitch at right.
- Waynline, Jul. 1988, Sofa #602/810 in background.
- Natuzzi Model No. 159 Oct. 1986 at International Home Furnishings Market in High Point, N.C.
- Natuzzi Model No. 185 Apr. 1987 at International Home Furnishings Market in High Point, N.C.
- Natuzzi Model No. 450 Oct. 1988 at International Home Furnishings Market in High Point, N.C.
- Natuzzi Model No. 459 Oct. 1988 at International Home Furnishings Market in High Point, N.C.
- Natuzzi Model No. 759 Apr. 1990 at International Home Furnishings Market in High Point, N.C.
- Natuzzi Model No. 780 Oct. 1990 at International Home Furnishings Market in High Point, N.C.
- Natuzzi Model No. 783 Oct. 1990 at International Home Furnishings Market in High Point, N.C.

- Natuzzi Model No. 806 Oct. 1990 at International Home Furnishings Market in High Point, N.C.
- Natuzzi Model No. 846 Apr. 1991 at International Home Furnishings Market in High Point, N.C.
- Natuzzi Model No. 852 Apr. 1991 at International Home Furnishings Market in High Point, N.C.
- Natuzzi Model No. 854 Apr. 1991 at International Home Furnishings Market in High Point, N.C.
- Natuzzi Model No. 872 Oct. 1991 at International Home Furnishings Market in High Point, N.C.
- Natuzzi Model No. 908 Apr. 1992 at International Home Furnishings Market in High Point, N.C.
- Natuzzi Model No. 910 Apr. 1992 at International Home Furnishings Market in High Point, N.C.
- Natuzzi Model No. 934 Apr. 1992 at International Home Furnishings Market in High Point, N.C.
- Natuzzi Model No. 946 Sep. 1992 at International Home Furnishings Market in High Point, N.C.
- Natuzzi Model No. 964 Sep. 1992 at International Home Furnishings Market in High Point, N.C.
- Natuzzi Model No. 970 Oct. 1992 at International Home Furnishings Market in High Point, N.C.
- Natuzzi Model No. 974 Oct. 1992 at International Home Furnishings Market in High Point, N.C.

Primary Examiner—Alan P. Douglas
Assistant Examiner—Gary D. Watson
Attorney, Agent, or Firm—Bell, Seltzer, Park & Gibson

[57] **CLAIM**
 The ornamental design for a sofa, as shown and described.

DESCRIPTION
 FIG. 1 is a perspective view of a sofa showing our new design;
 FIG. 2 is a right side elevational view, and the left side elevational view being a mirror image thereof;
 FIG. 3 is a top plan view;
 FIG. 4 is an enlarged fragmentary view of stitches of a sofa taken from a broken-line region of FIG. 1; and,
 FIG. 5 is a rear perspective view.



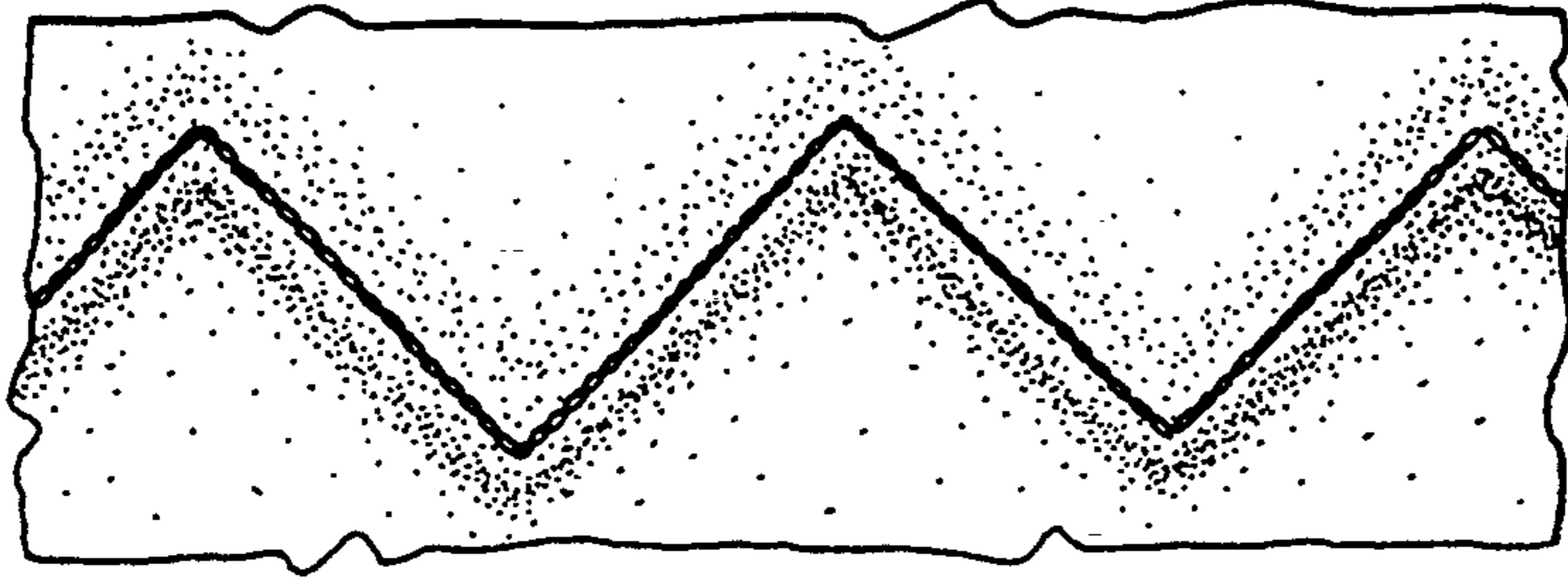


FIG-4

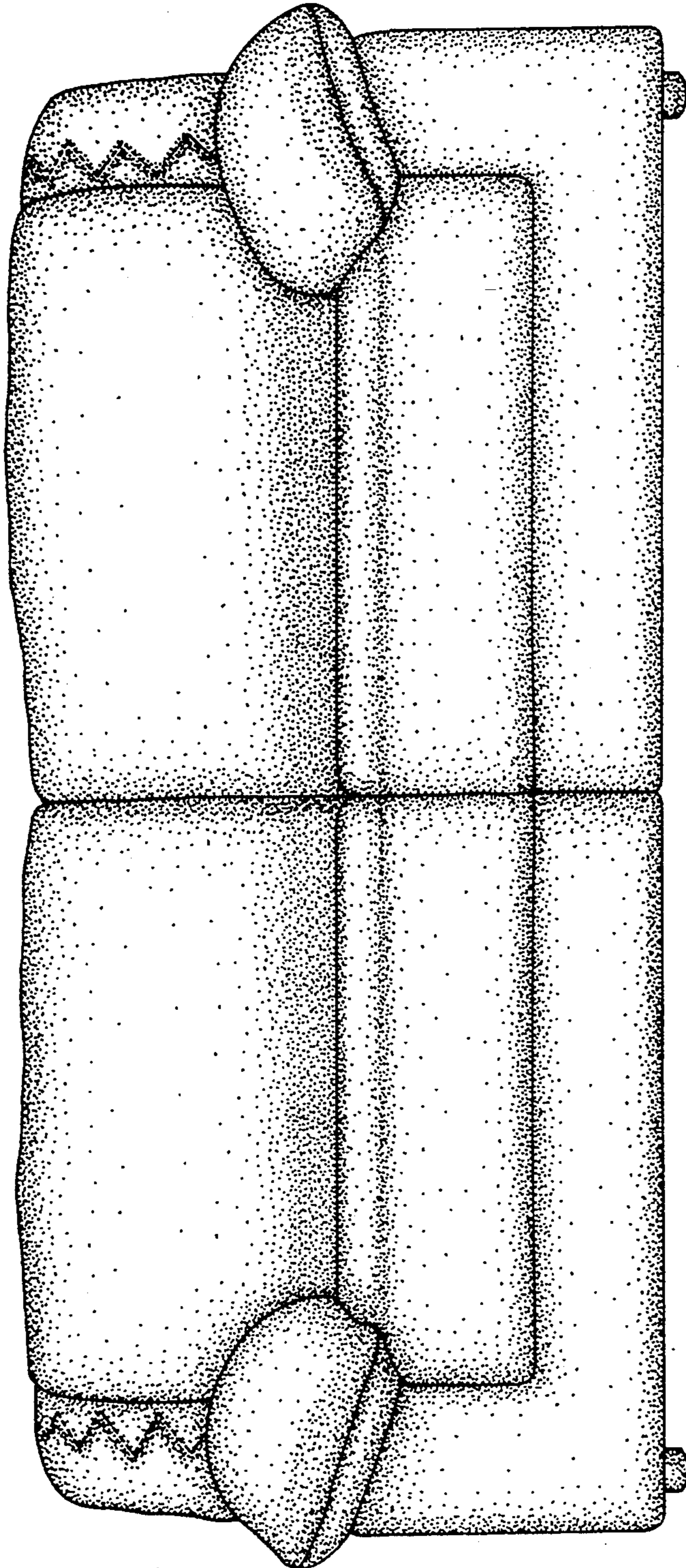


FIG-1

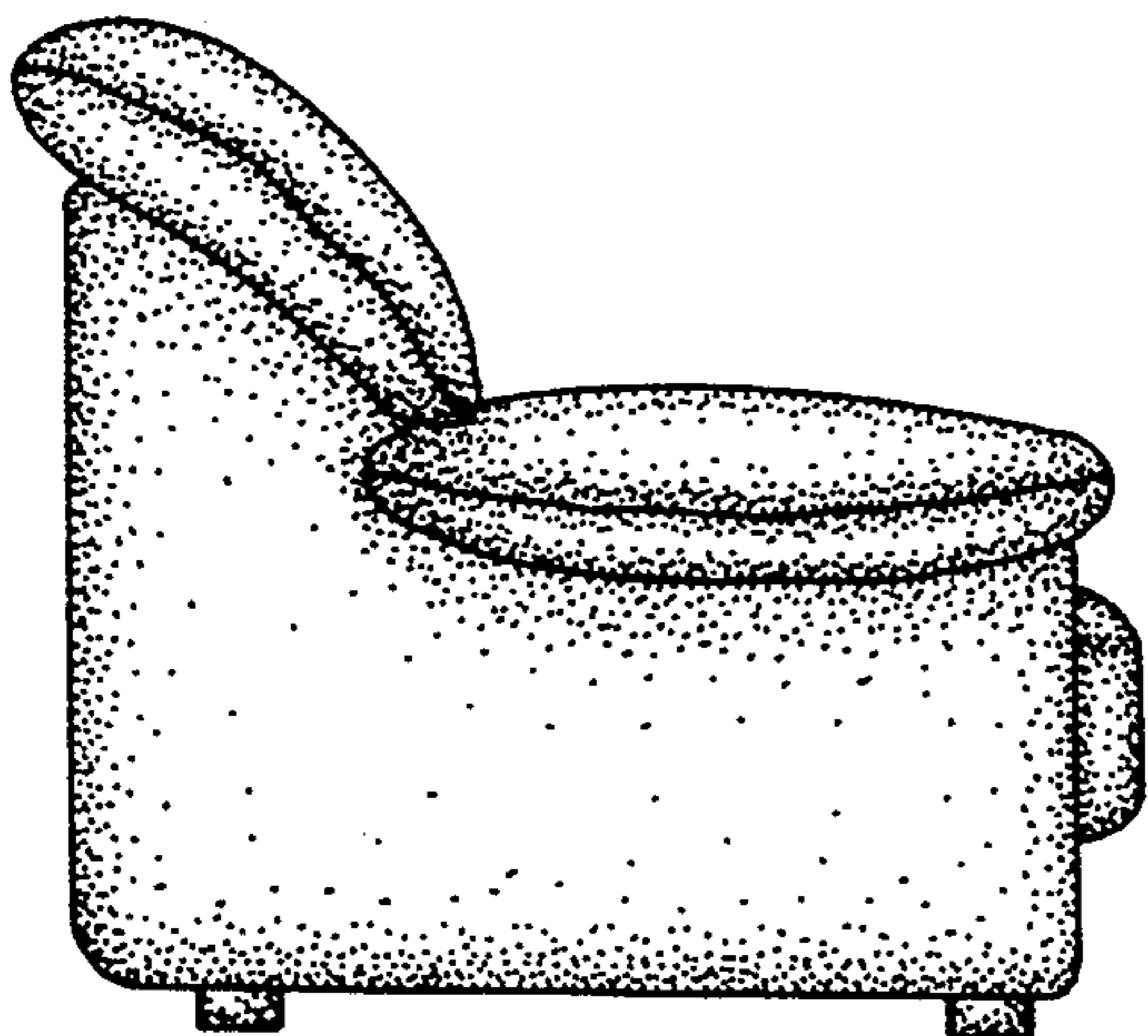


FIG-2

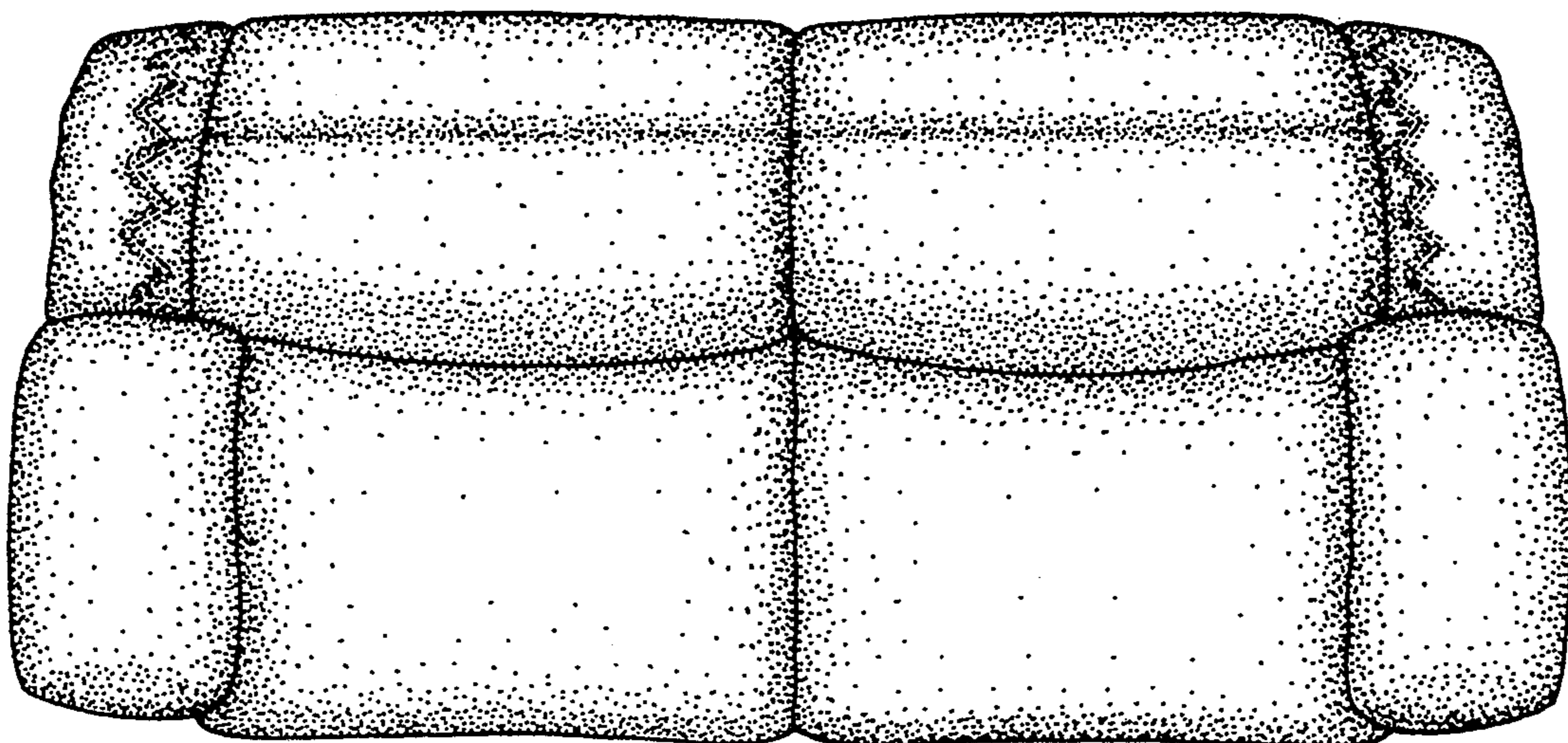


FIG-3

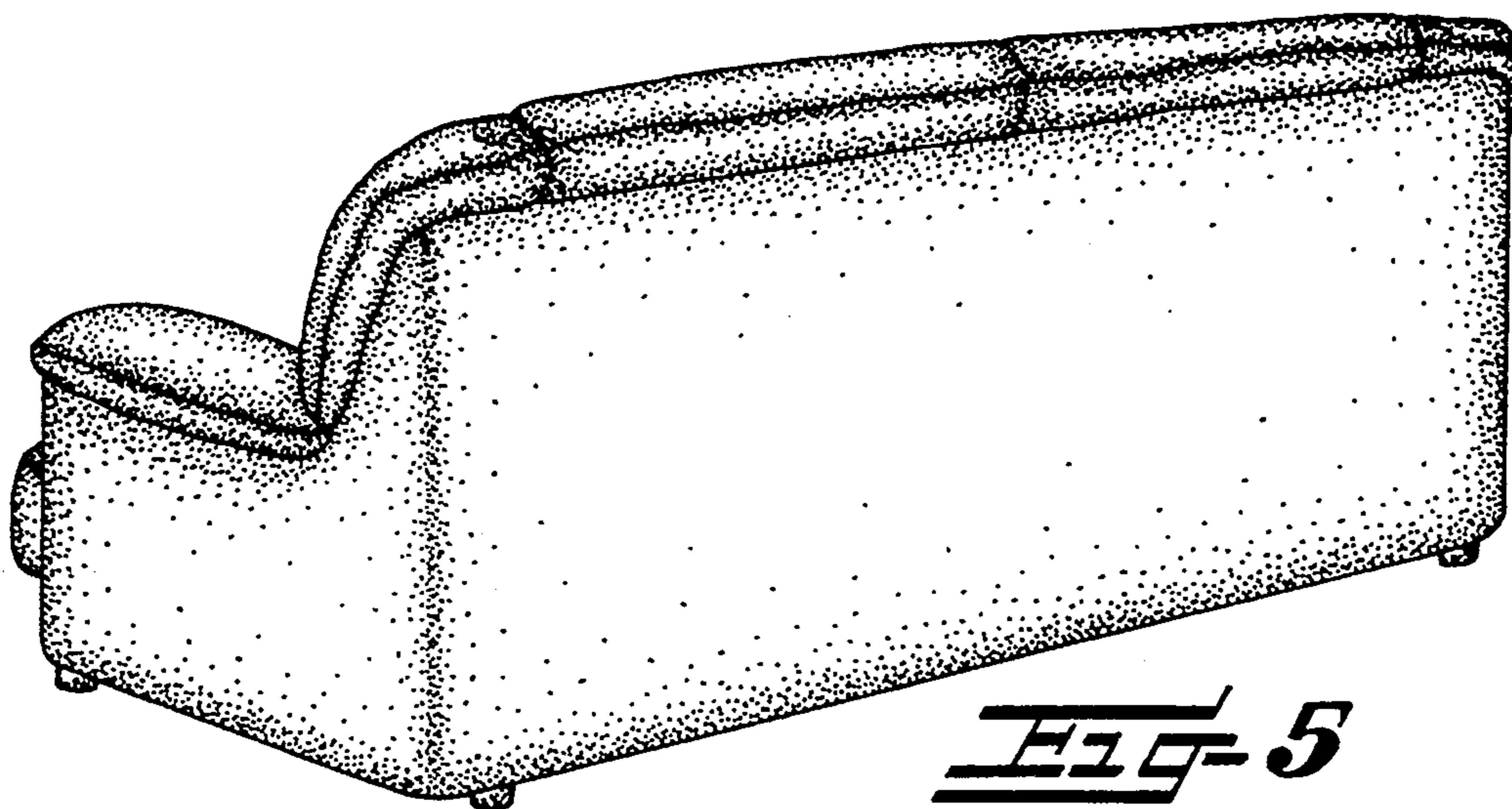


FIG-5