



US00D362348S

United States Patent [19]

[11] Patent Number: **Des. 362,348**

Sacchi Lodispoto

[45] Date of Patent: **** Sep. 19, 1995**

[54] **MODULAR BENCH**

[76] Inventor: **Amelia Sacchi Lodispoto**, Piazza Carducci, 7, Bologna, Italy 40125

[**] Term: **14 Years**

[21] Appl. No.: **21,197**

[22] Filed: **Apr. 12, 1994**

[30] **Foreign Application Priority Data**

Oct. 13, 1993 [IT] Italy BO9300041 U

[52] U.S. Cl. **D6/336**

[58] Field of Search D6/334, 335-336, D6/343, 370, 413, 414, 500, 501, 502; D20/10, 41; 297/244

[56] **References Cited**

U.S. PATENT DOCUMENTS

- D. 159,953 9/1950 Caruso D6/414
- D. 167,460 8/1952 Heftel D6/414
- D. 167,461 8/1952 Heftel D6/414

- D. 177,270 3/1956 Motto et al. D6/336
- D. 197,100 12/1963 Cohen D6/414
- D. 198,855 8/1964 Derman et al. D6/343
- D. 199,532 11/1964 Rolando et al. D6/343
- D. 200,851 4/1965 Wise D6/336
- D. 205,666 9/1966 Magnuson et al. D6/413
- D. 215,839 11/1969 Wormser D6/370

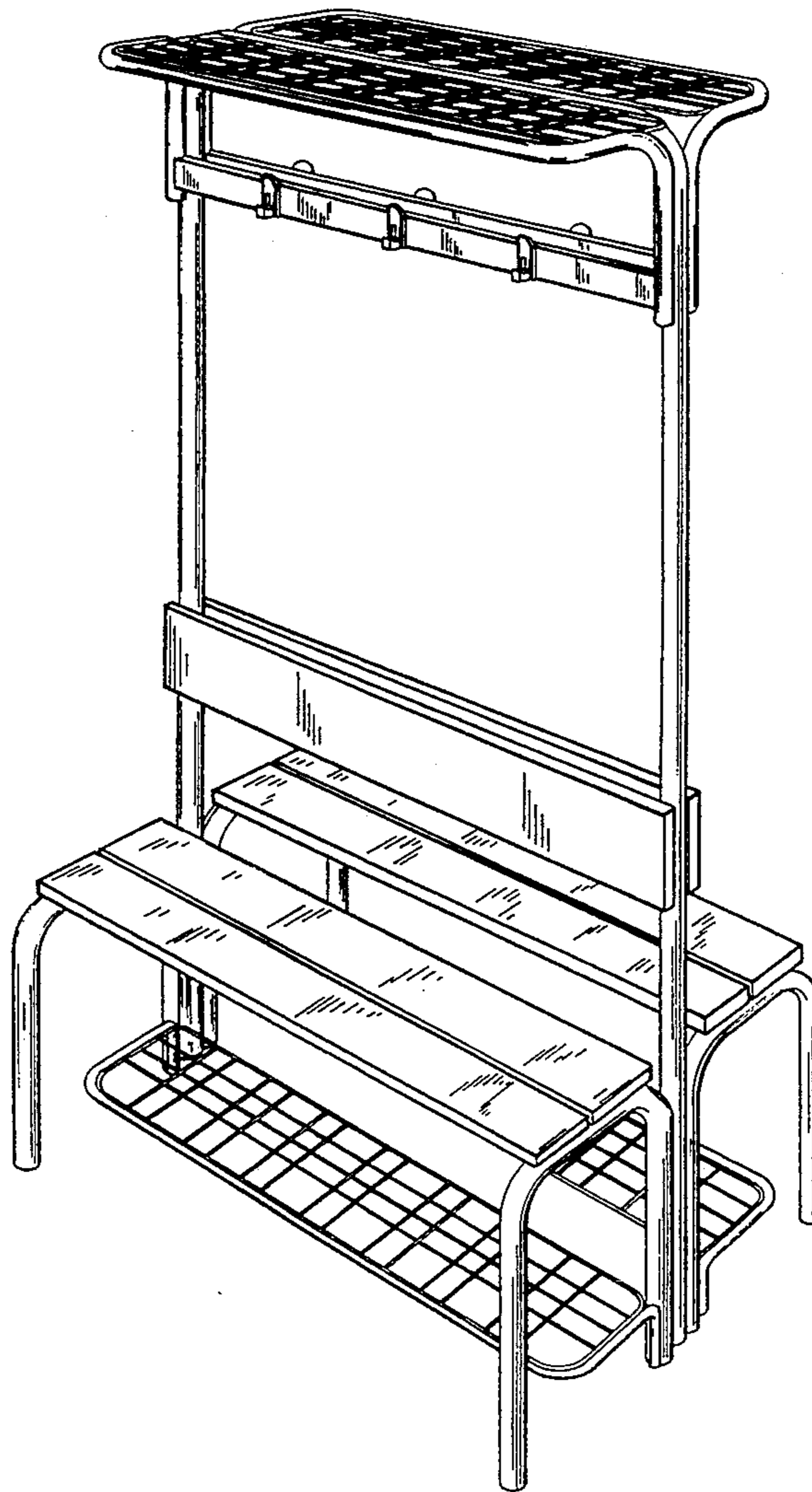
Primary Examiner—Alan P. Douglas
Assistant Examiner—Gary D. Watson
Attorney, Agent, or Firm—Darby & Darby

[57] **CLAIM**

The ornamental design for a modular bench, as shown and described.

DESCRIPTION

FIG. 1 is a frontal view (the rear view being identical) of the modular bench, embodying my new design; FIG. 2 is a lateral view thereof; FIG. 3 is a top plan view thereof; FIG. 4 is a plan view from below thereof; and, FIG. 5 is a perspective view thereof.



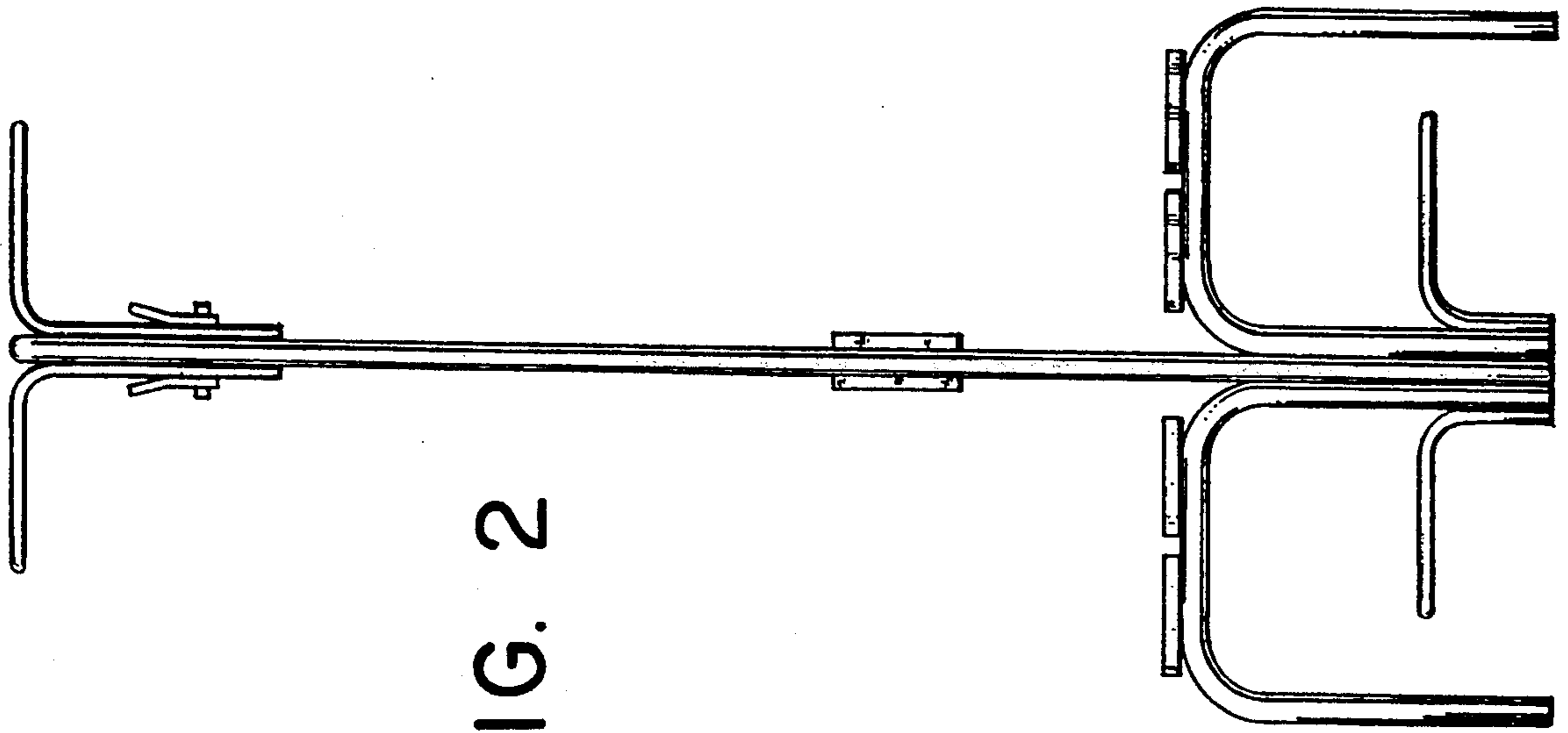


FIG. 2

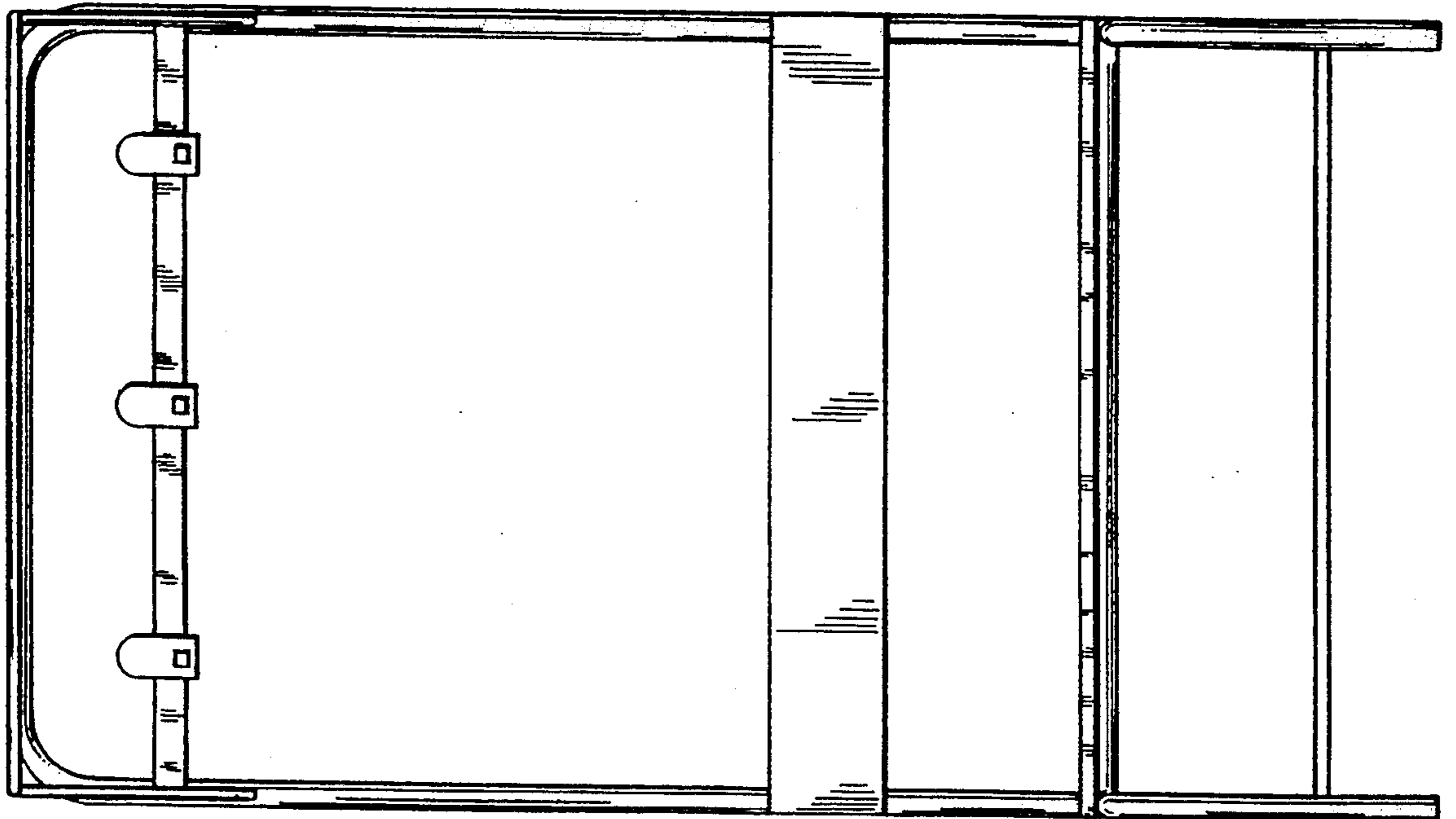


FIG. 1

FIG. 3

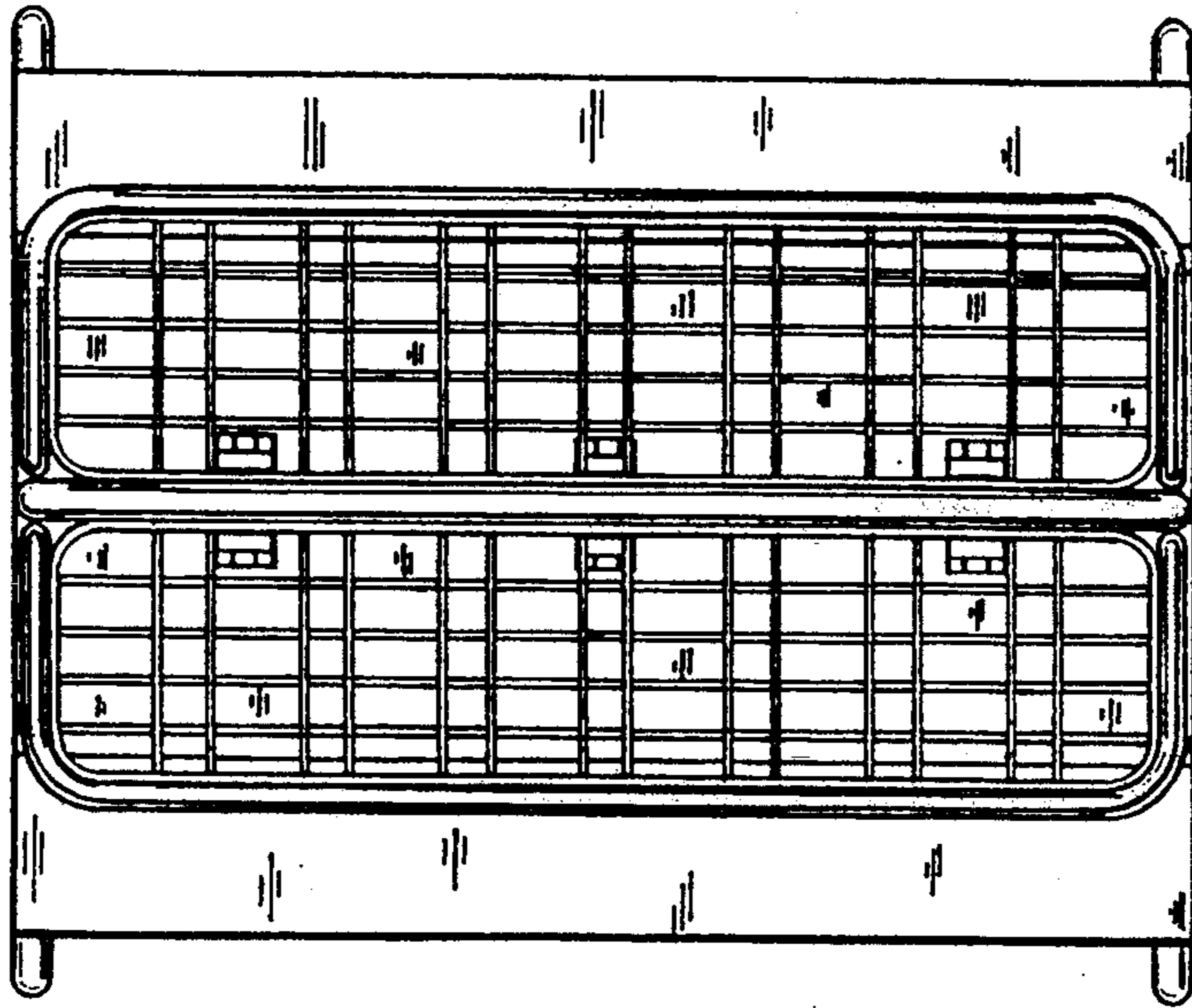
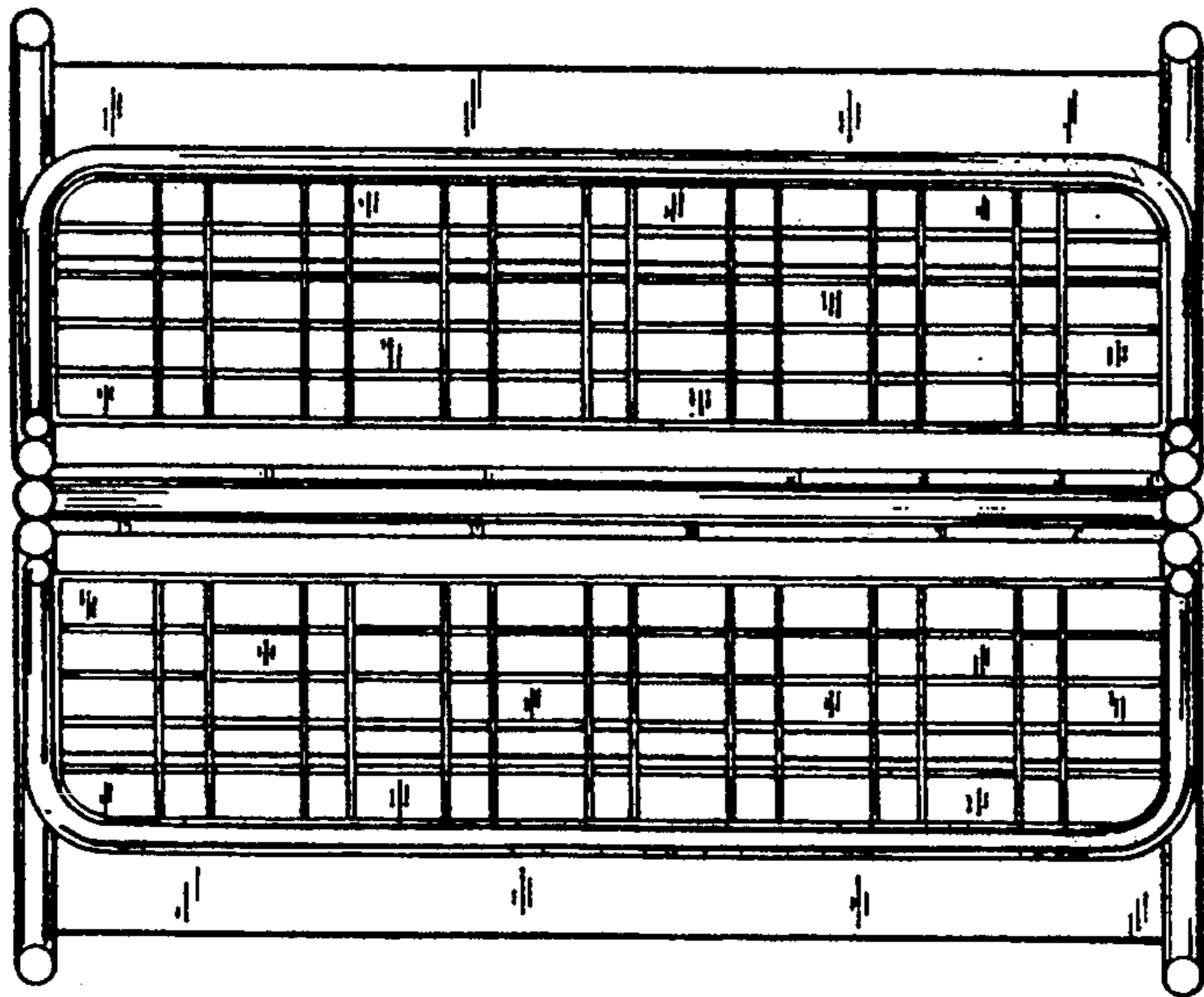


FIG. 4



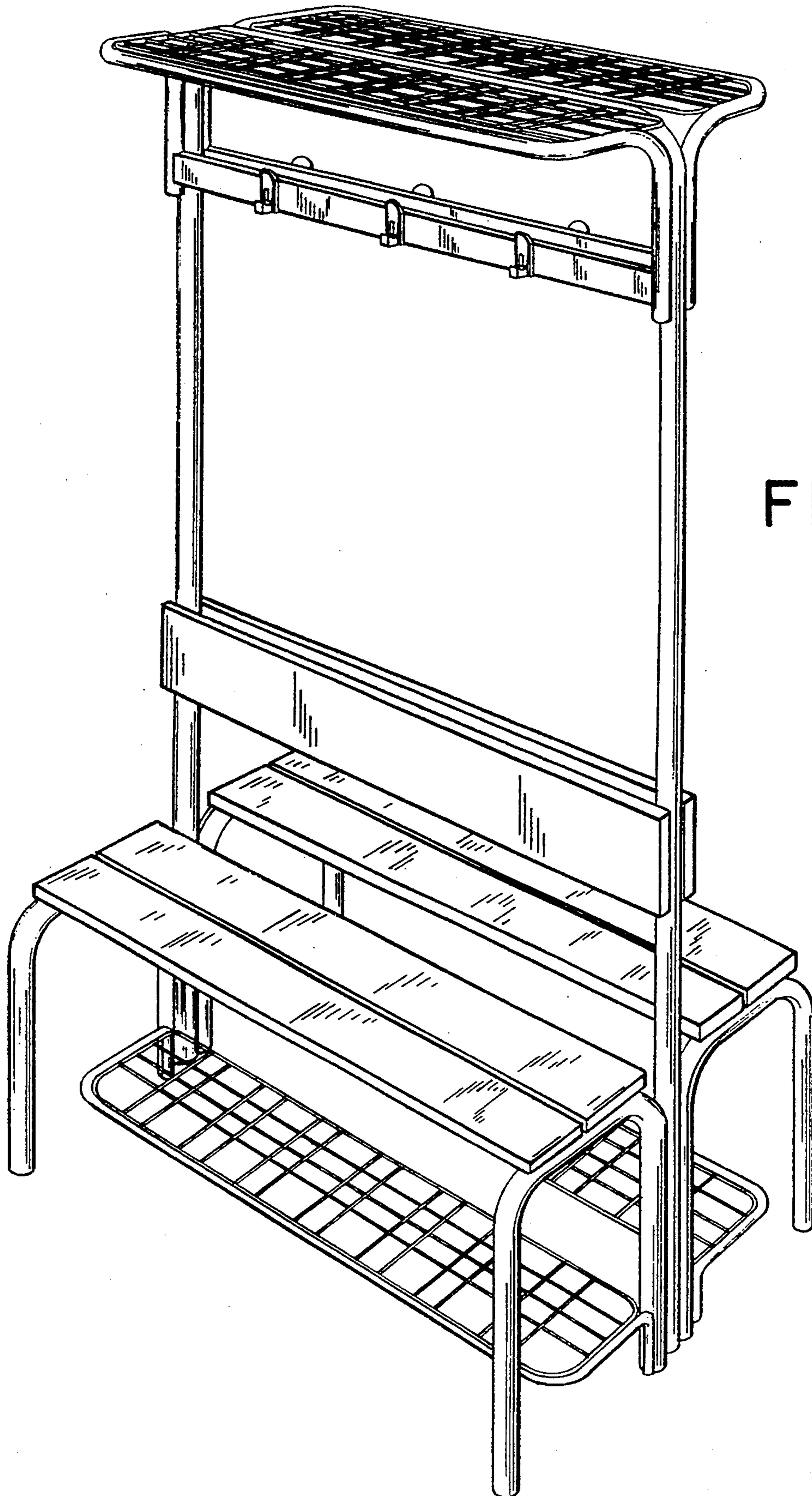


FIG. 5