



US00D362345S

United States Patent [19]

[11] Patent Number: **Des. 362,345**

Arner

[45] Date of Patent: **** Sep. 19, 1995**

[54] **CLOSET ORGANIZER ACCESSORY**

[76] Inventor: **Barbara D. Arner**, 1930 Westchester Ct., Oxnard, Calif. 93030

[**] Term: **14 Years**

[21] Appl. No.: **19,719**

[22] Filed: **Mar. 9, 1994**

[52] U.S. Cl. **D6/315; D6/322**

[58] Field of Search **D6/315, 322, 324; 211/94, 95, 113, 115**

2,506,467 5/1950 Ragland 211/95
 5,191,984 3/1993 Kon et al. 211/95 X

Primary Examiner—Terry A. Wallace
Assistant Examiner—Nanda Bondade
Attorney, Agent, or Firm—Poms, Smith, Lande & Rose

[57] CLAIM

The ornamental design for closet organizer accessory, as shown and described.

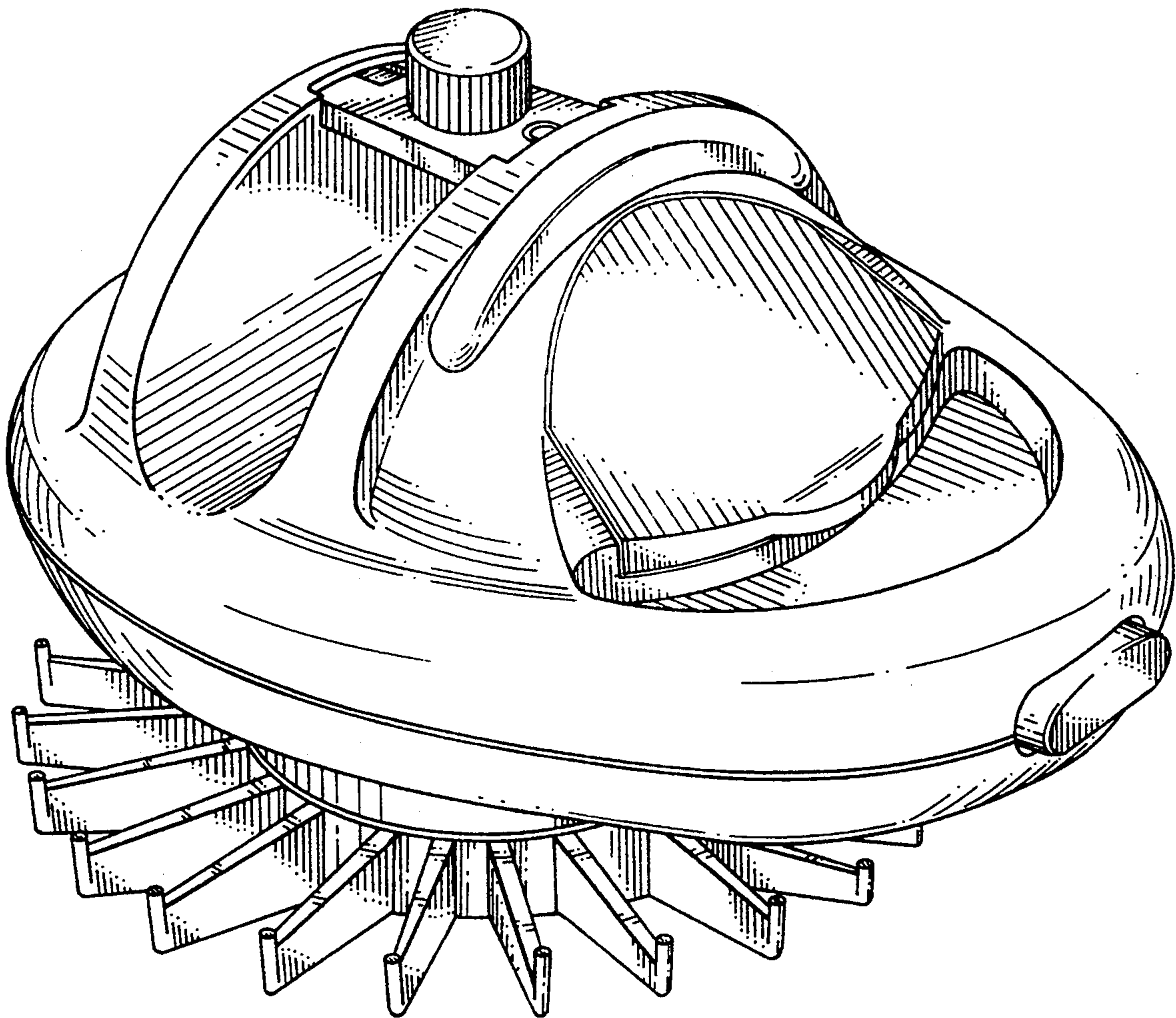
DESCRIPTION

FIG. 1 is a front and left side perspective view of a closet organizer accessory showing my new design; FIG. 2 is a right side elevational view thereof; FIG. 3 is a top plan view thereof; FIG. 4 is a bottom plan view thereof; FIG. 5 is a front elevational view thereof; and, FIG. 6 is a rear elevational view thereof.

[56] **References Cited**

U.S. PATENT DOCUMENTS

D. 229,909	1/1974	Goldfeder	D6/324
D. 298,591	11/1988	Arner et al.	D6/315
D. 352,177	11/1994	Nadel	D6/315
2,046,229	6/1936	Woda	211/95



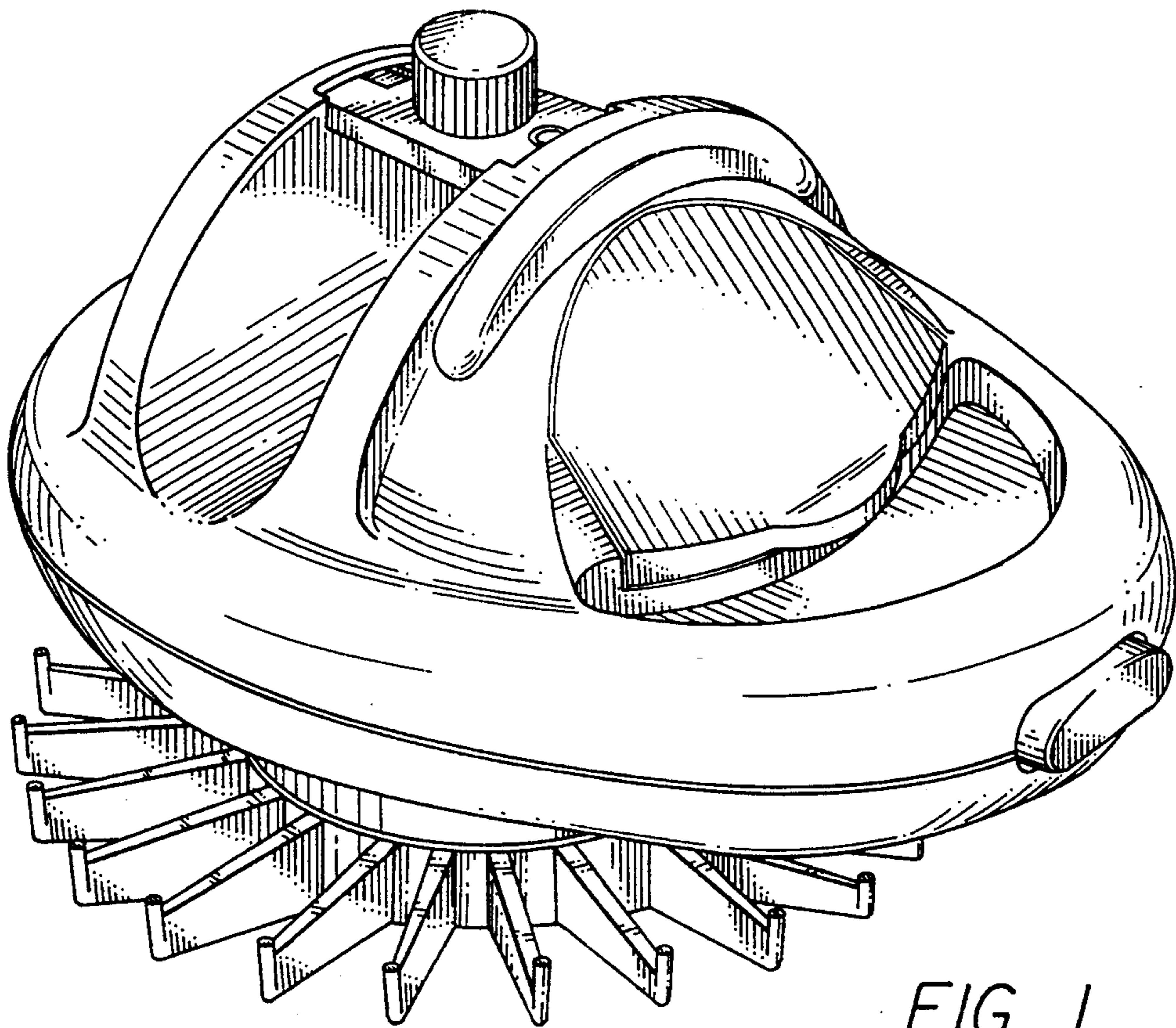


FIG. 1

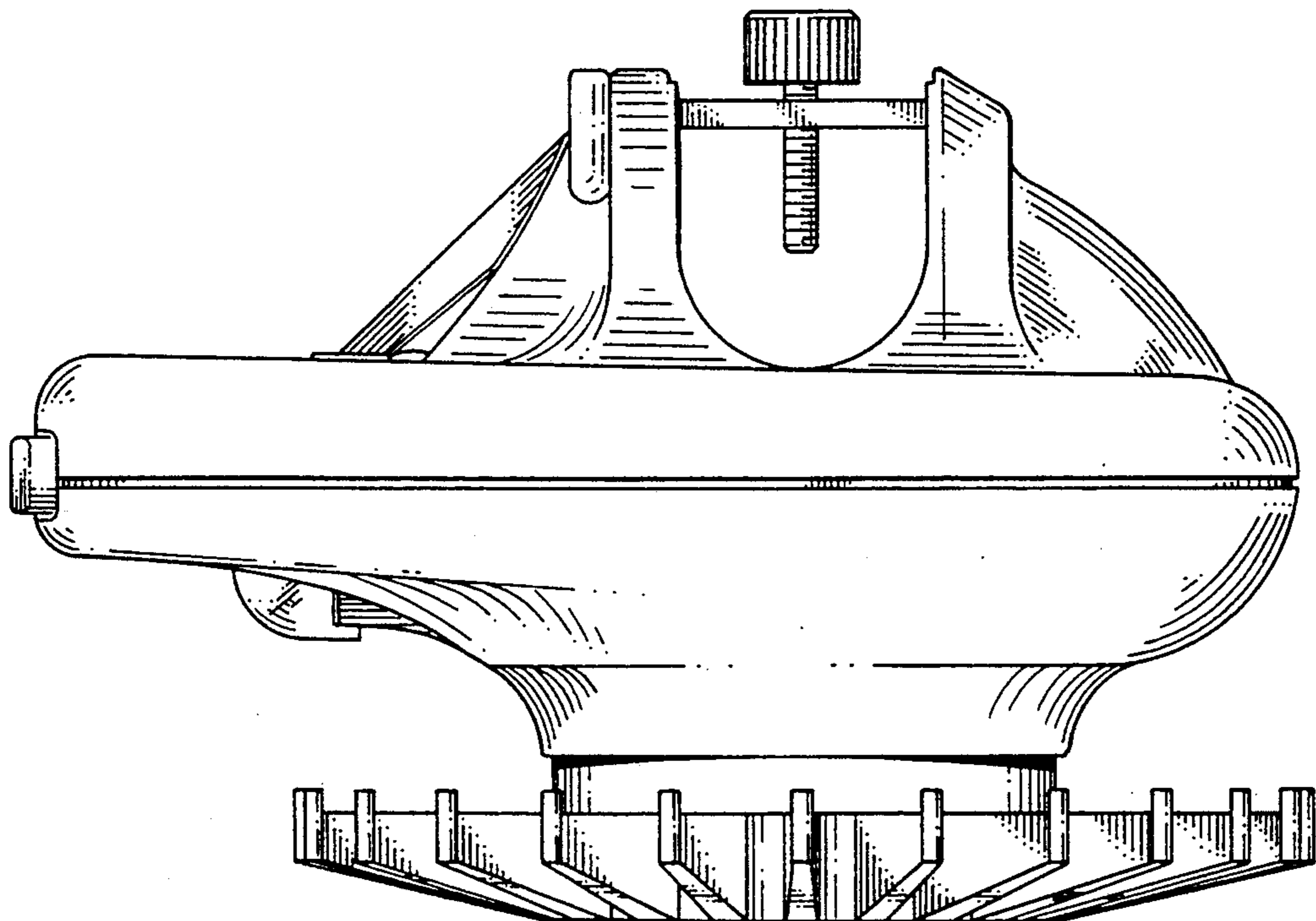


FIG. 2

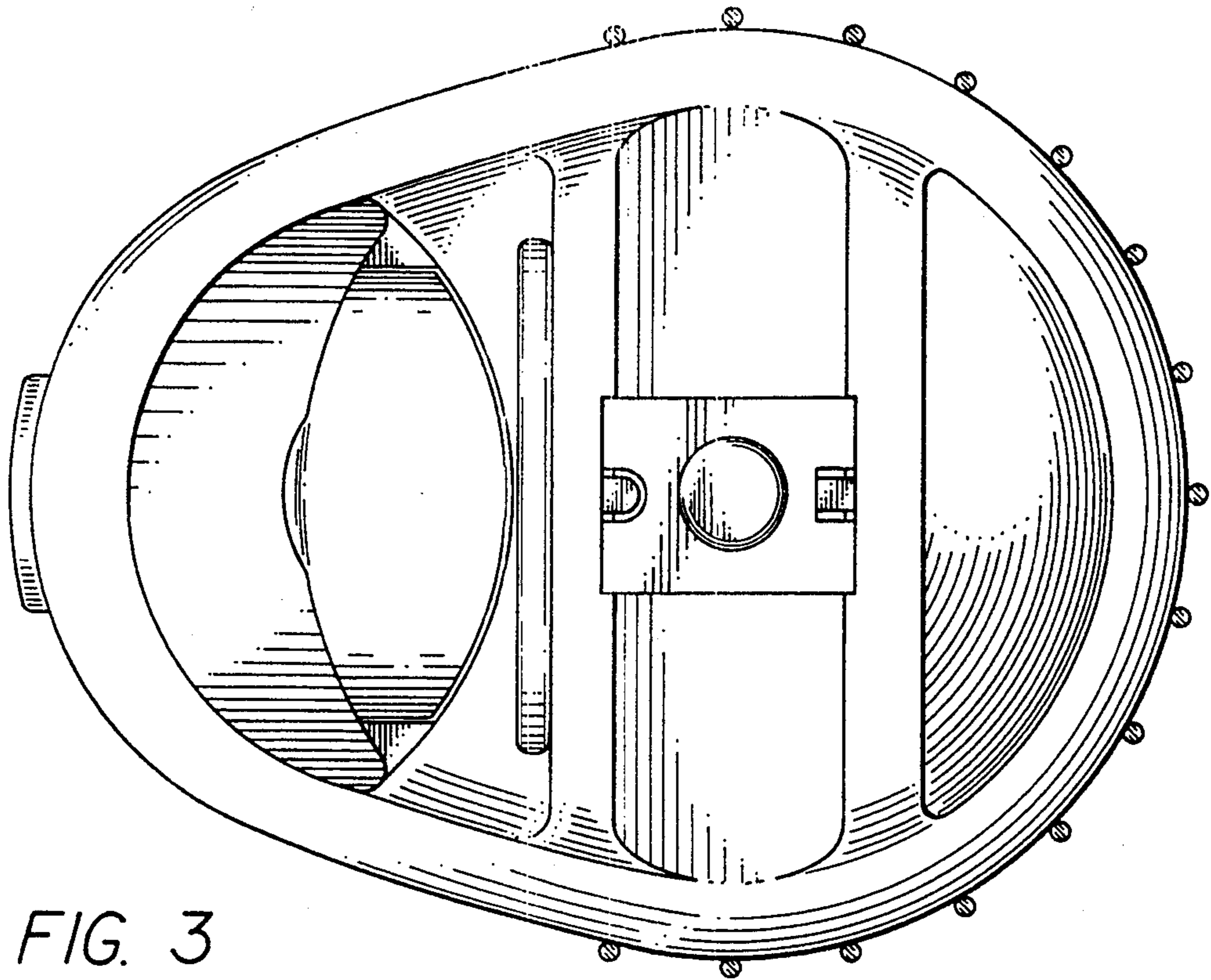


FIG. 3

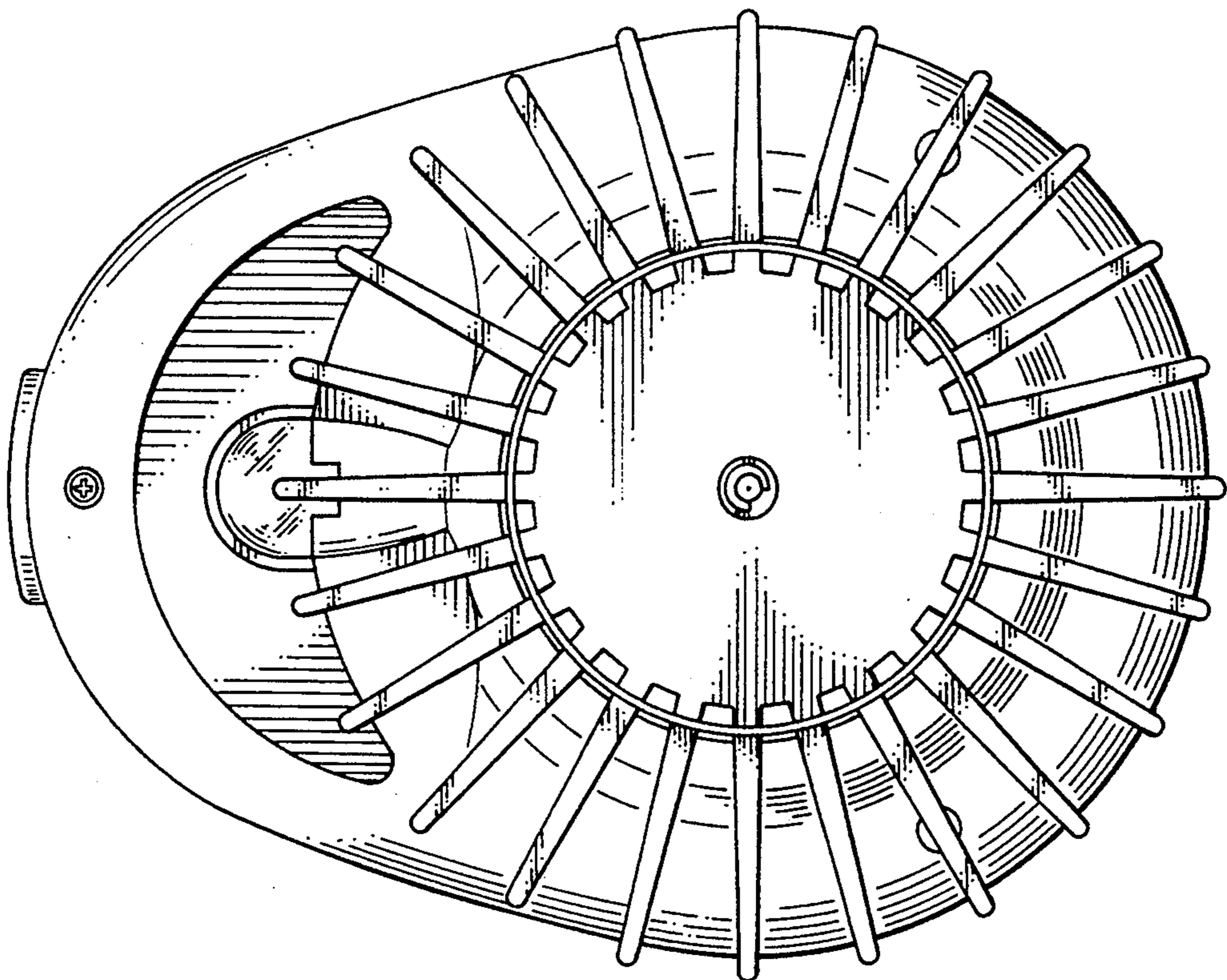


FIG. 4

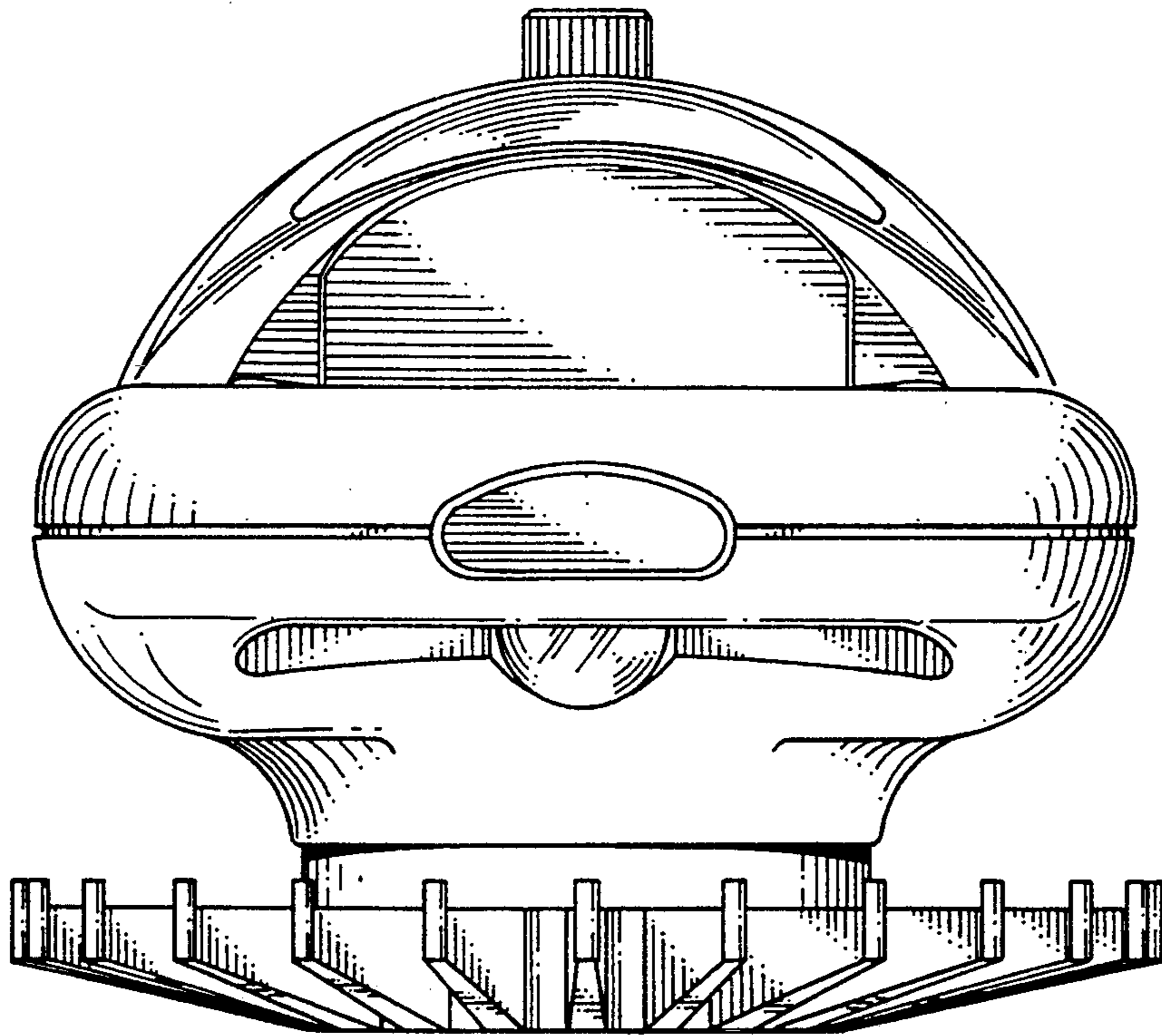


FIG. 5

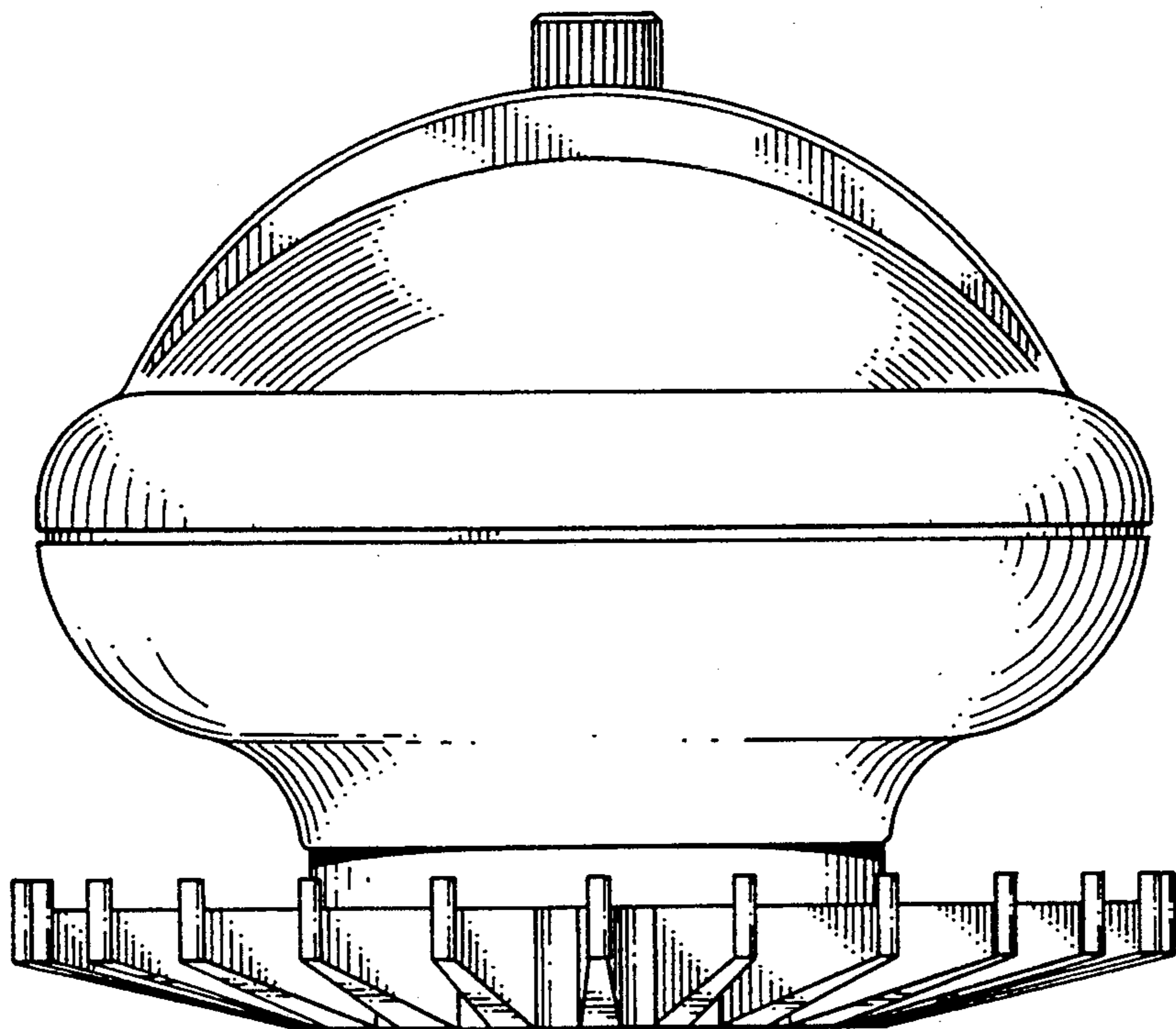


FIG. 6