



US00D362342S

United States Patent [19]

[11] Patent Number: **Des. 362,342**

Chan

[45] Date of Patent: **** Sep. 19, 1995**

[54] **BRUSH HANDLE AND HEAD UNIT**

[75] Inventor: **Eric Chan**, New York, N.Y.

[73] Assignee: **Goody Products, Inc.**, Kearny, N.J.

[**] Term: **14 Years**

[21] Appl. No.: **7,129**

[22] Filed: **Apr. 15, 1993**

[52] U.S. Cl. **D4/138; D4/133**

[58] Field of Search **D4/133-134, D4/136, 138; 15/143.1, 159.1, 160, 186-188; 132/120-121, 313**

[56] **References Cited**

U.S. PATENT DOCUMENTS

D. 118,422	1/1940	Weber	D4/133
D. 244,568	6/1977	Lepisto et al.	D4/136
D. 307,217	4/1990	Fong	D4/134
4,030,158	6/1977	Blair et al.	15/159.1

Primary Examiner—A. Hugo Word
Assistant Examiner—Lavone D. Tabor
Attorney, Agent, or Firm—Foley & Lardner

[57] **CLAIM**

The ornamental design for a brush handle and head unit, as shown and described.

DESCRIPTION

FIG. 1 is a top front perspective view of a brush handle and head unit showing my new design; FIG. 2 is a front elevational view thereof; FIG. 3 is a right side elevational view thereof, the left side being a mirror image of the right side shown; FIG. 4 is a rear elevational view thereof; FIG. 5 is a top plan view thereof; and, FIG. 6 is a bottom plan view. Outlines of the bristles are shown in broken lines in the figures for illustrative purposes only and do not form part of the design claimed.

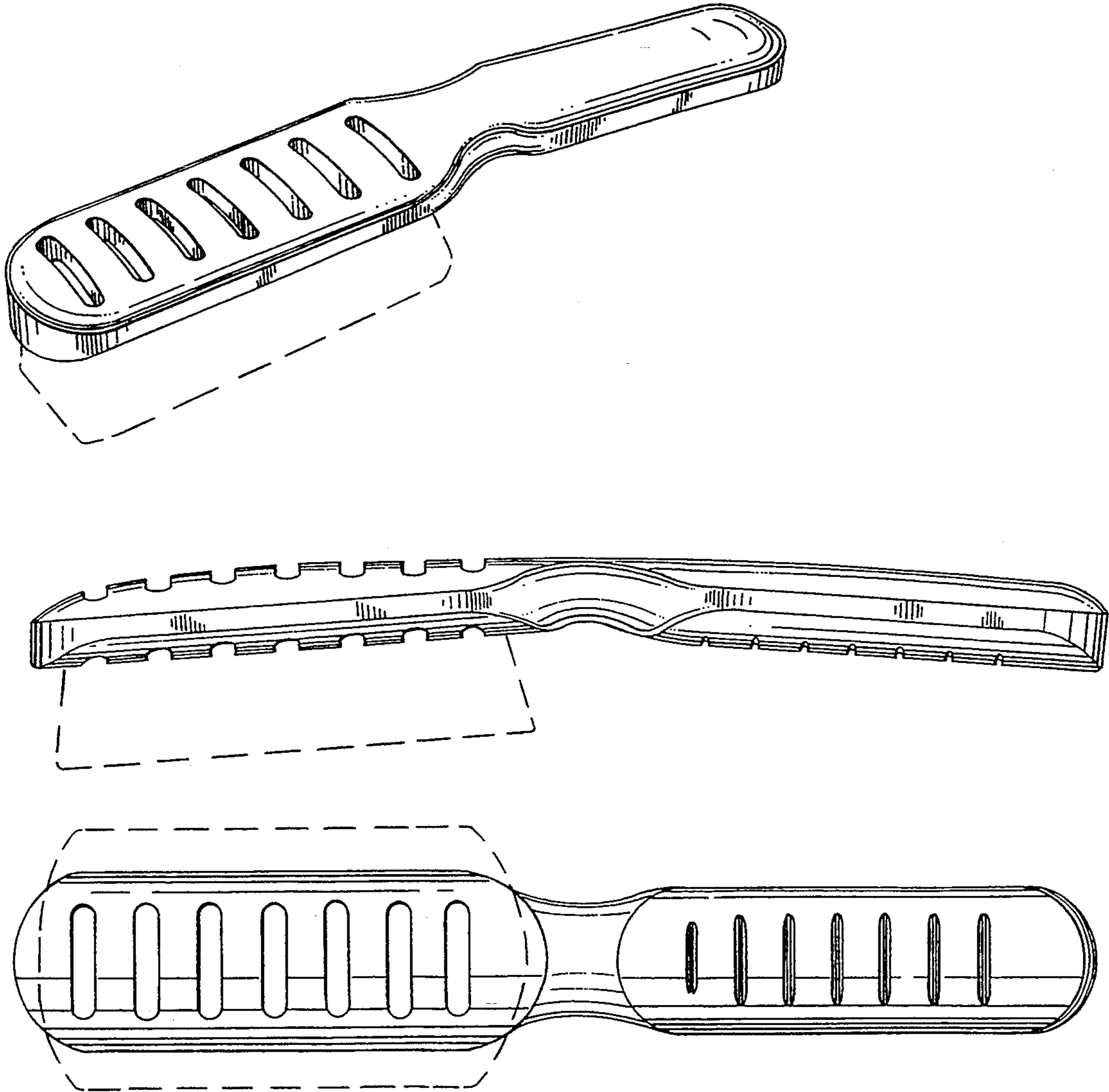


FIG. 1

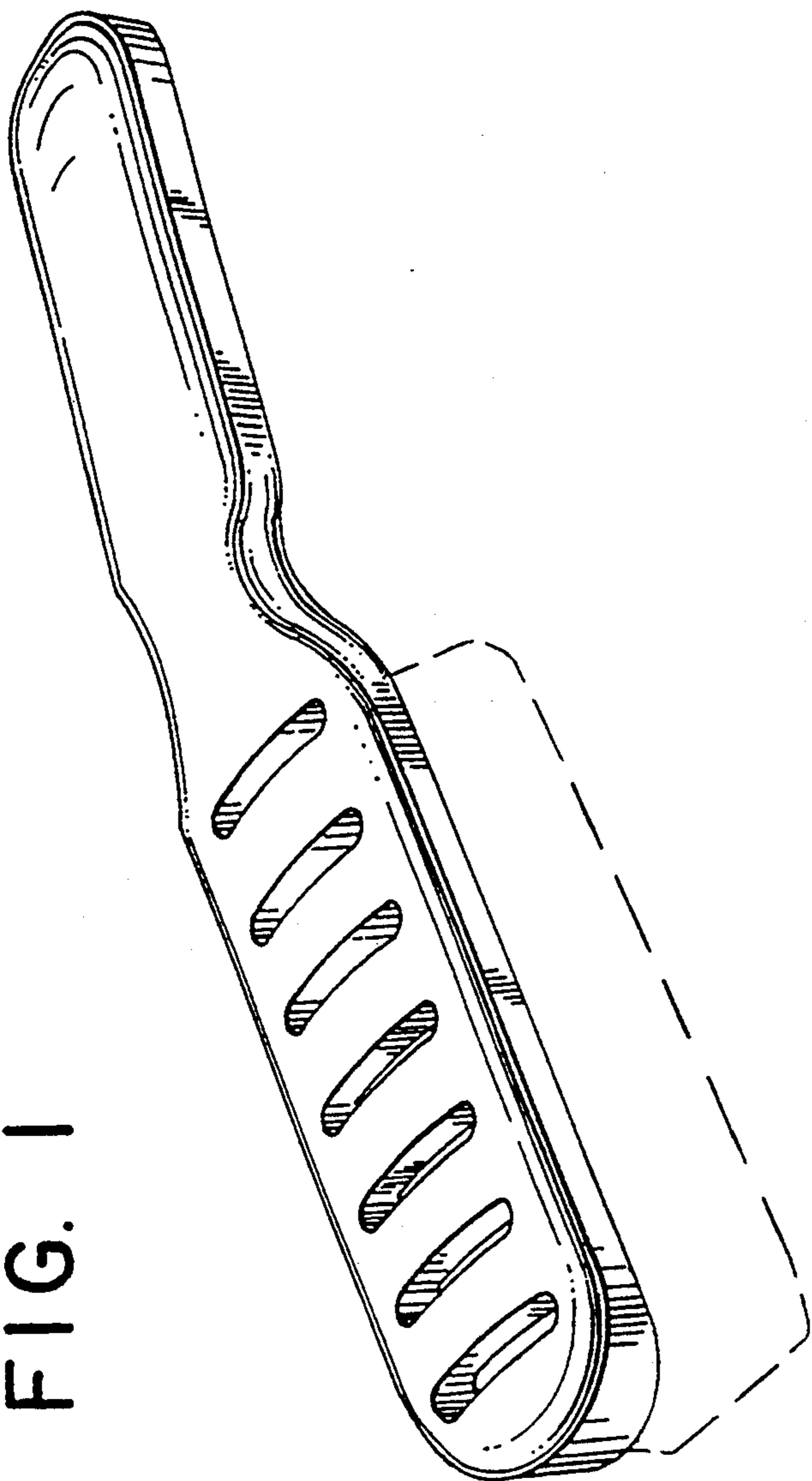


FIG. 2

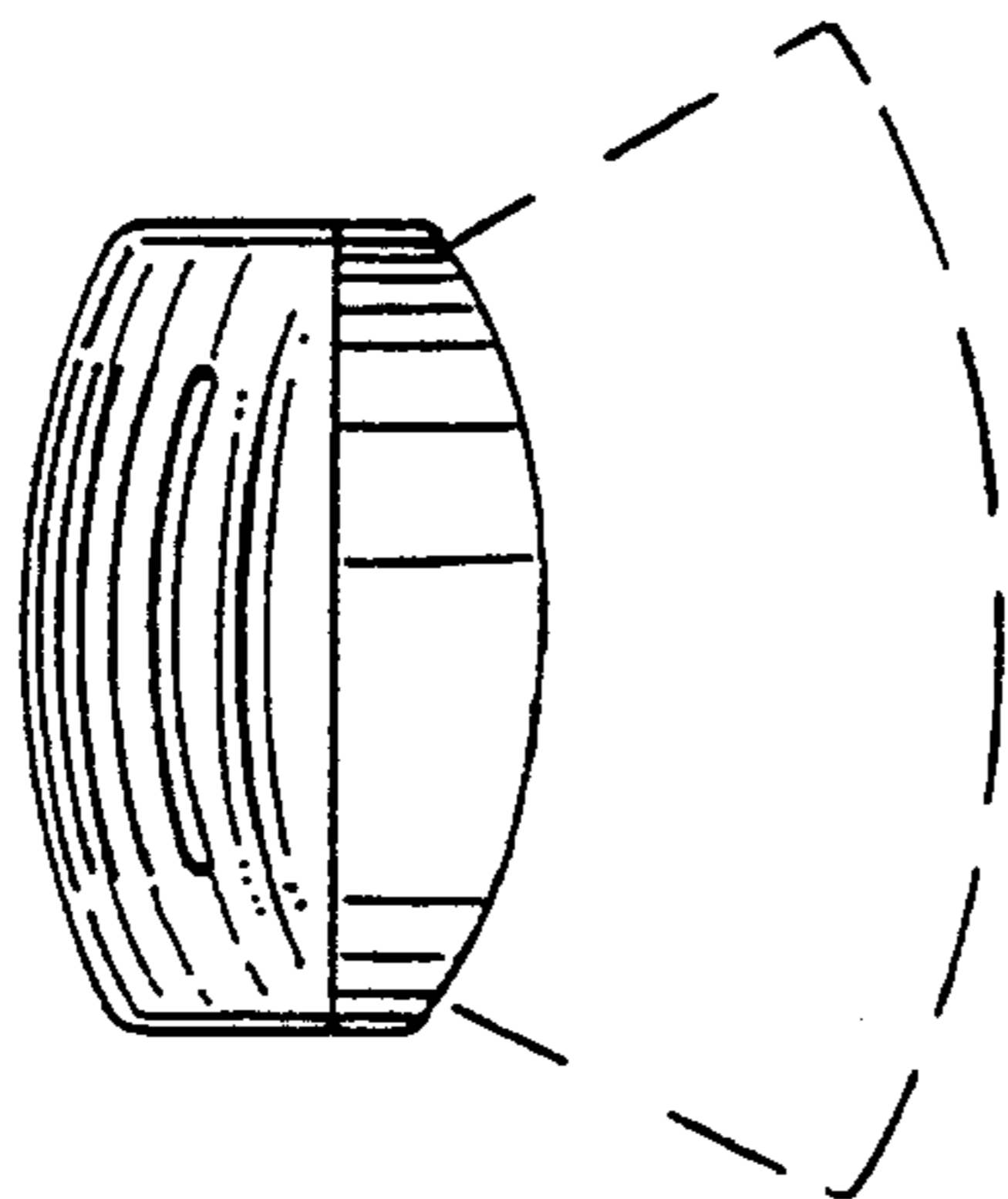


FIG. 3

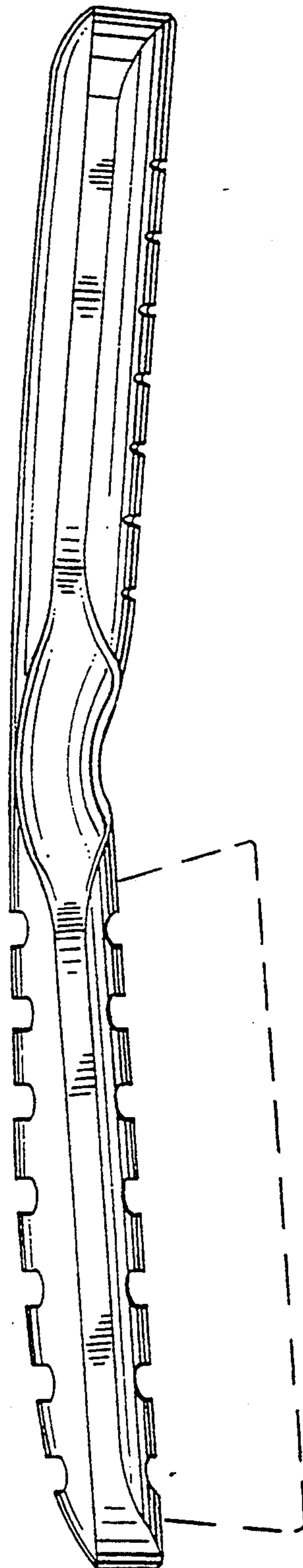


FIG. 5

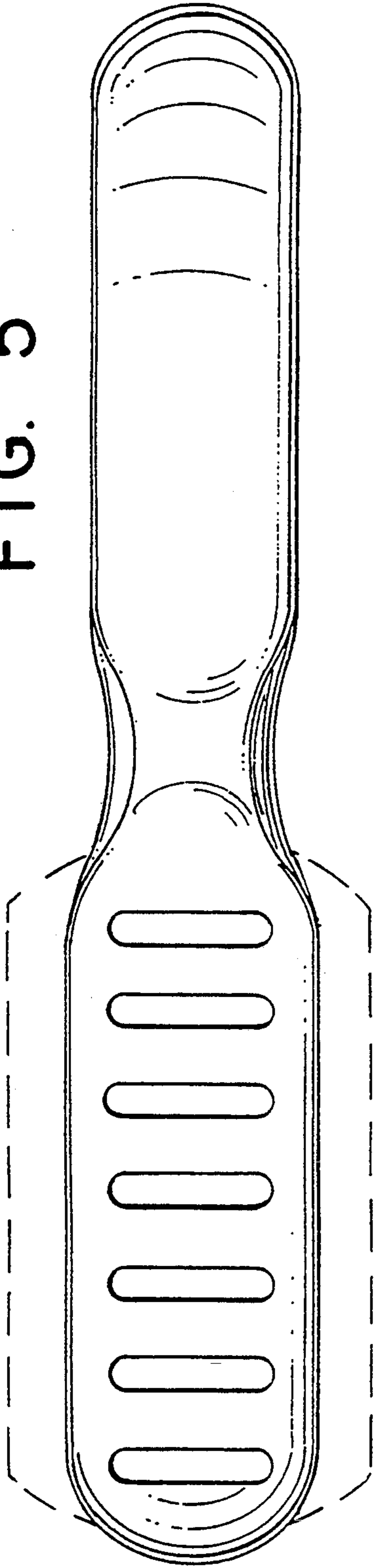


FIG. 4

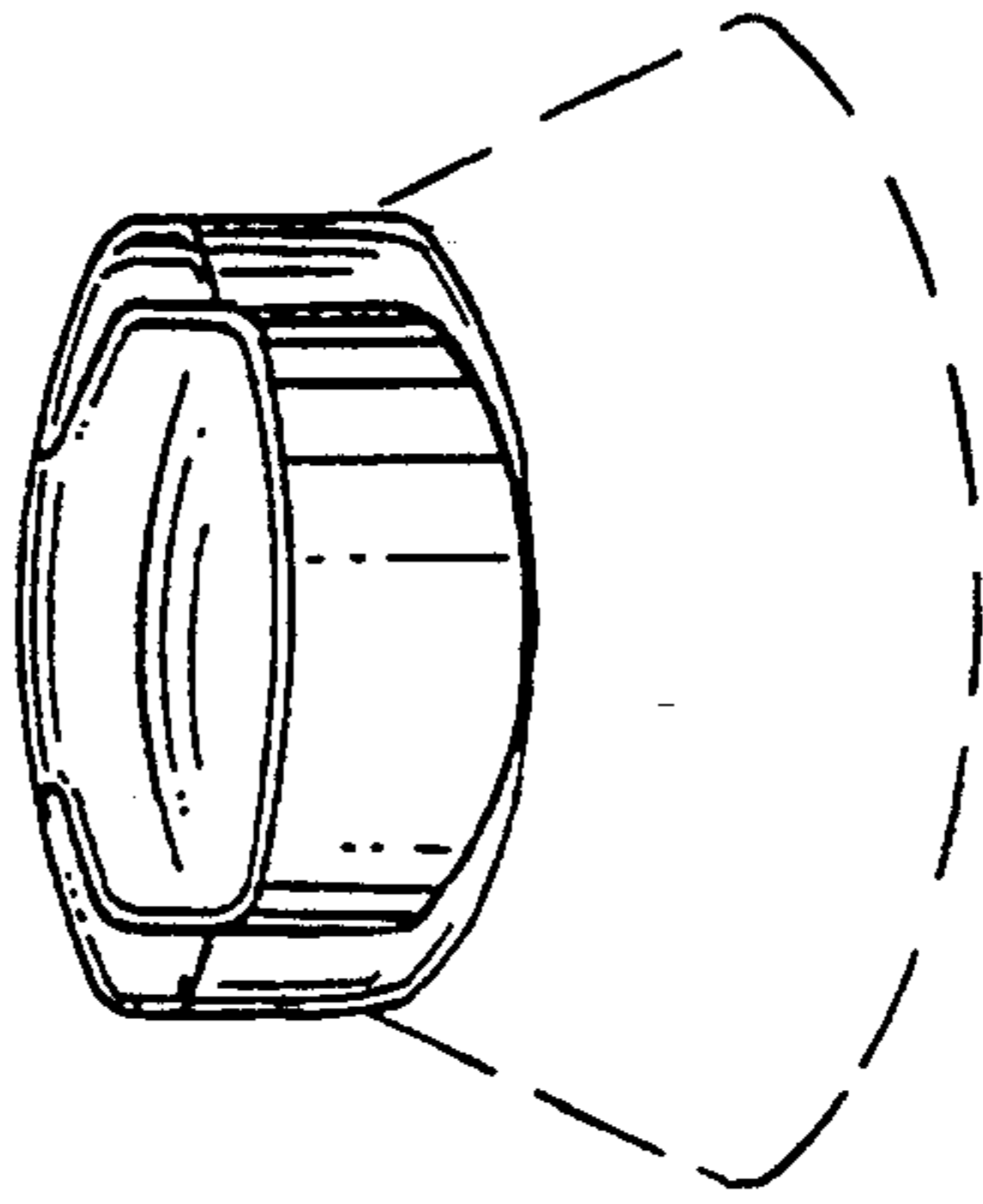


FIG. 6

