



US00D362328S

United States Patent [19]

[11] Patent Number: **Des. 362,328**

Davis

[45] Date of Patent: **** Sep. 12, 1995**

[54] **CARRIER ASSEMBLY FOR RECEIVING AND CARRYING A POULTRY WING DURING PROCESSING**

4,985,963 1/1991 Norling 452/177
5,071,388 12/1991 Lindert 452/169

[76] Inventor: **James F. Davis**, 11976 Bells Ferry Rd., Canton, Ga. 30114

Primary Examiner—Brian N. Vinson
Assistant Examiner—Robin V. Taylor
Attorney, Agent, or Firm—Louis T. Isaf

[**] Term: **14 Years**

[57] **CLAIM**

[21] Appl. No.: **17,594**

The ornamental design for a carrier assembly for receiving and carrying a poultry wing during processing, as shown.

[22] Filed: **Jan. 18, 1994**

[52] U.S. Cl. **D34/29**

[58] Field of Search D34/28, 29, 35;
452/169, 177, 184

DESCRIPTION

[56] References Cited

U.S. PATENT DOCUMENTS

1,340,648	5/1920	Bayer	452/177
2,818,600	1/1958	Zebarth	452/177
2,976,983	3/1961	Zebarth	452/177
4,207,653	6/1980	Gasbarro	17/11
4,769,872	9/1988	Hazenbroek	452/169

FIG. 1 is a perspective view of a carrier assembly for receiving and carrying a poultry wing, during processing, showing my new design;

FIG. 2 is a front elevational view thereof;

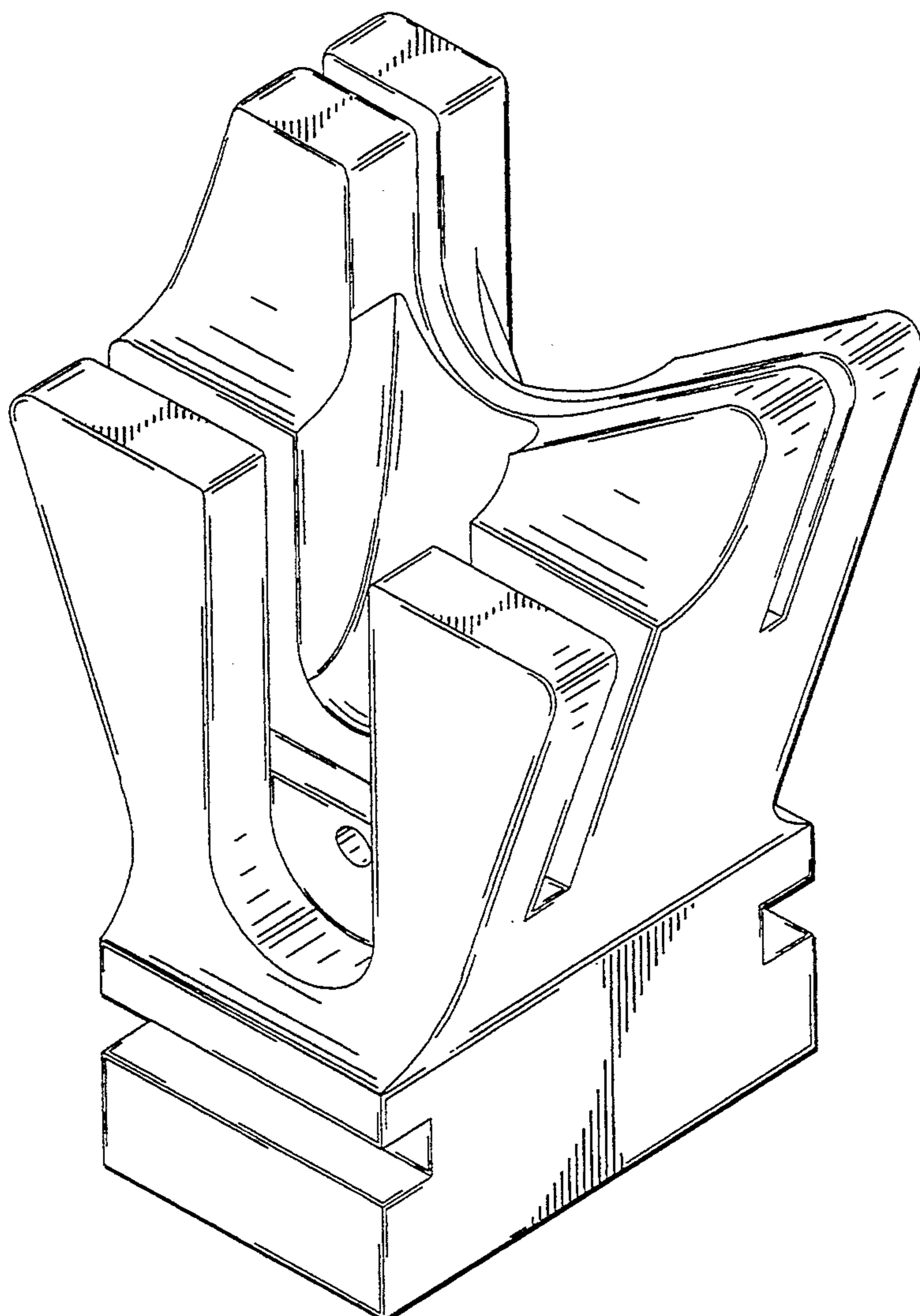
FIG. 3 is a rear elevational view thereof;

FIG. 4 is a top plan view thereof;

FIG. 5 is a bottom plan view thereof;

FIG. 6 is a left side elevational view thereof; and,

FIG. 7 is a right side elevational view thereof.



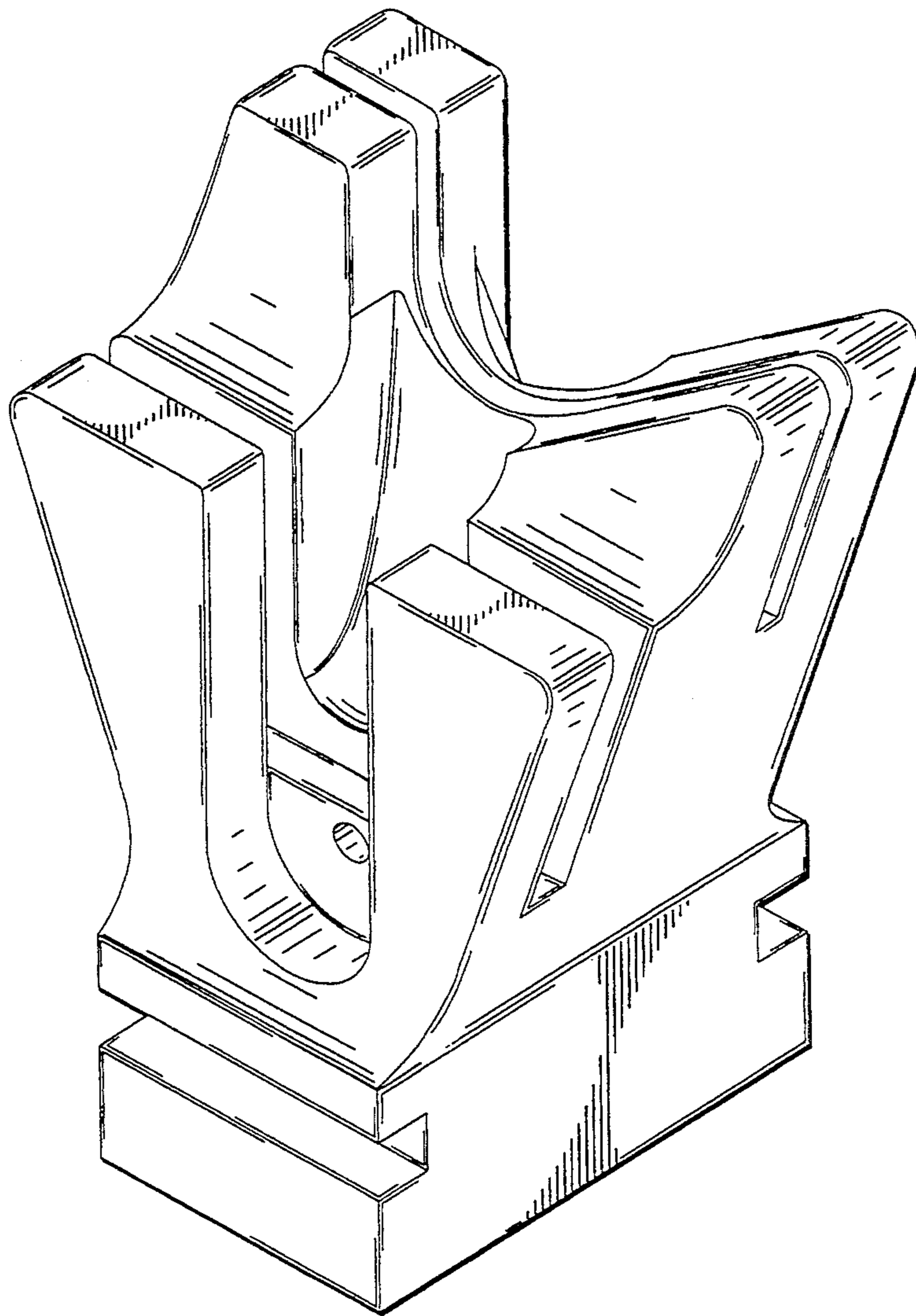


FIG. 1

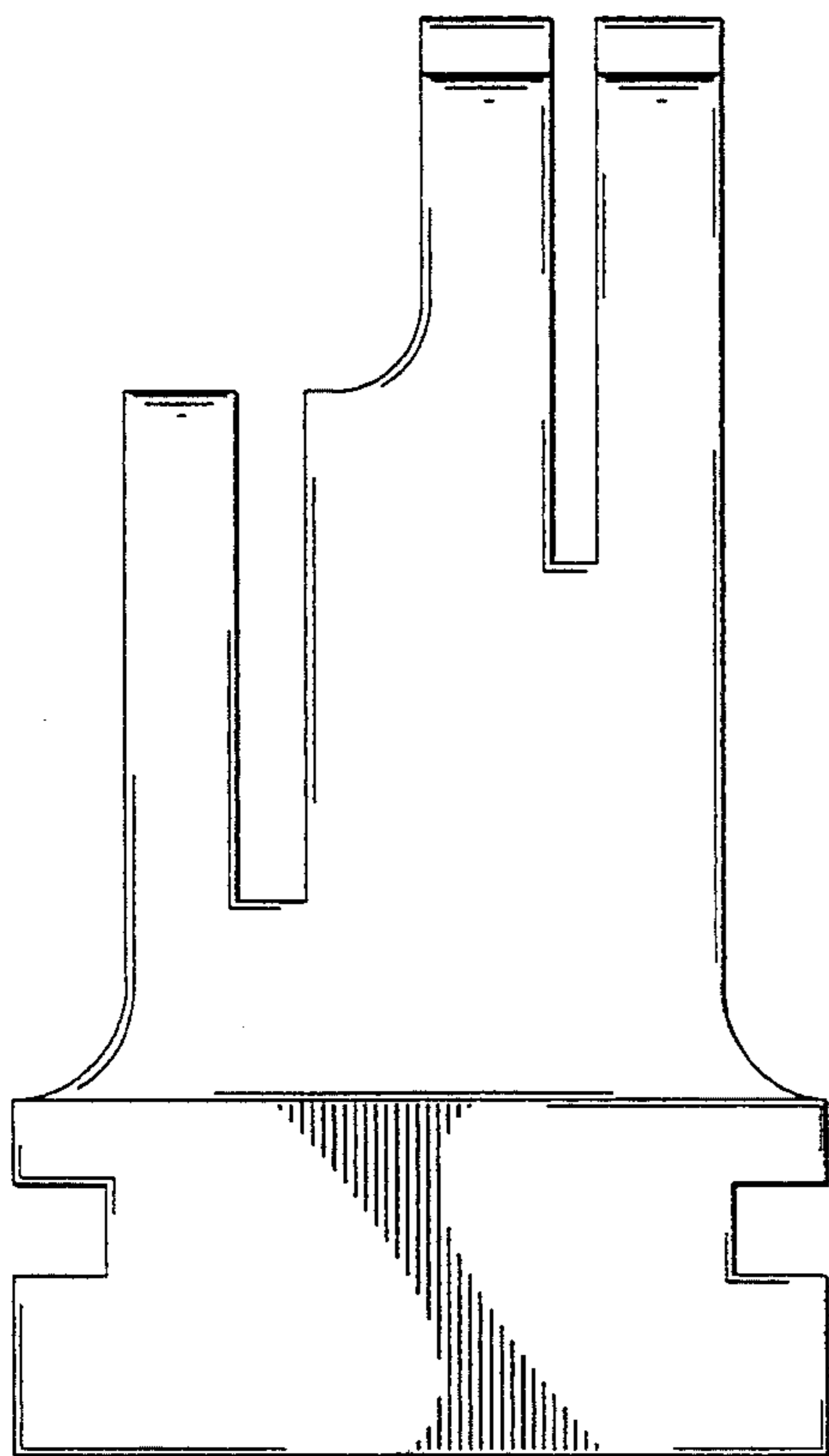


FIG. 2

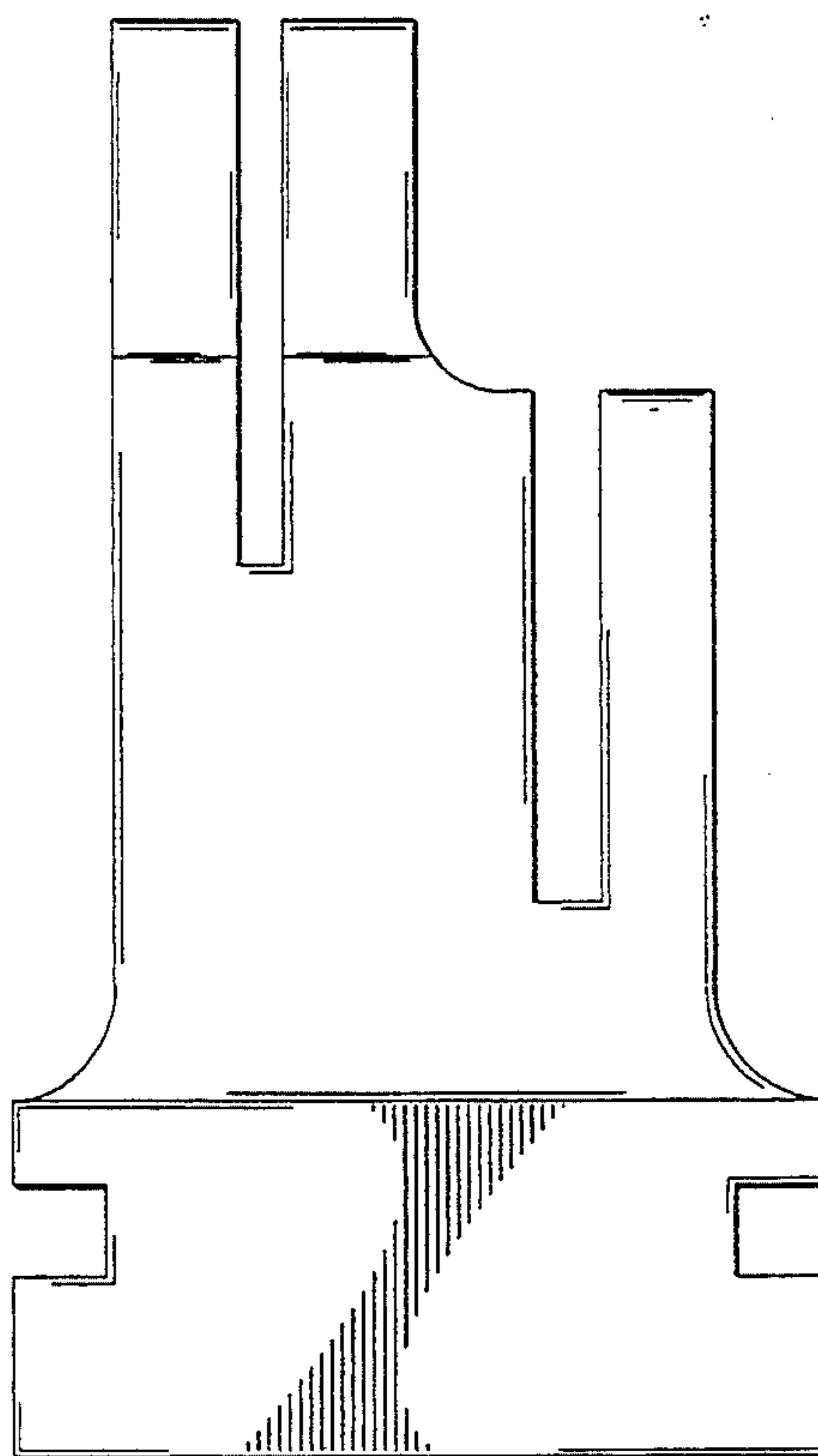


FIG. 3

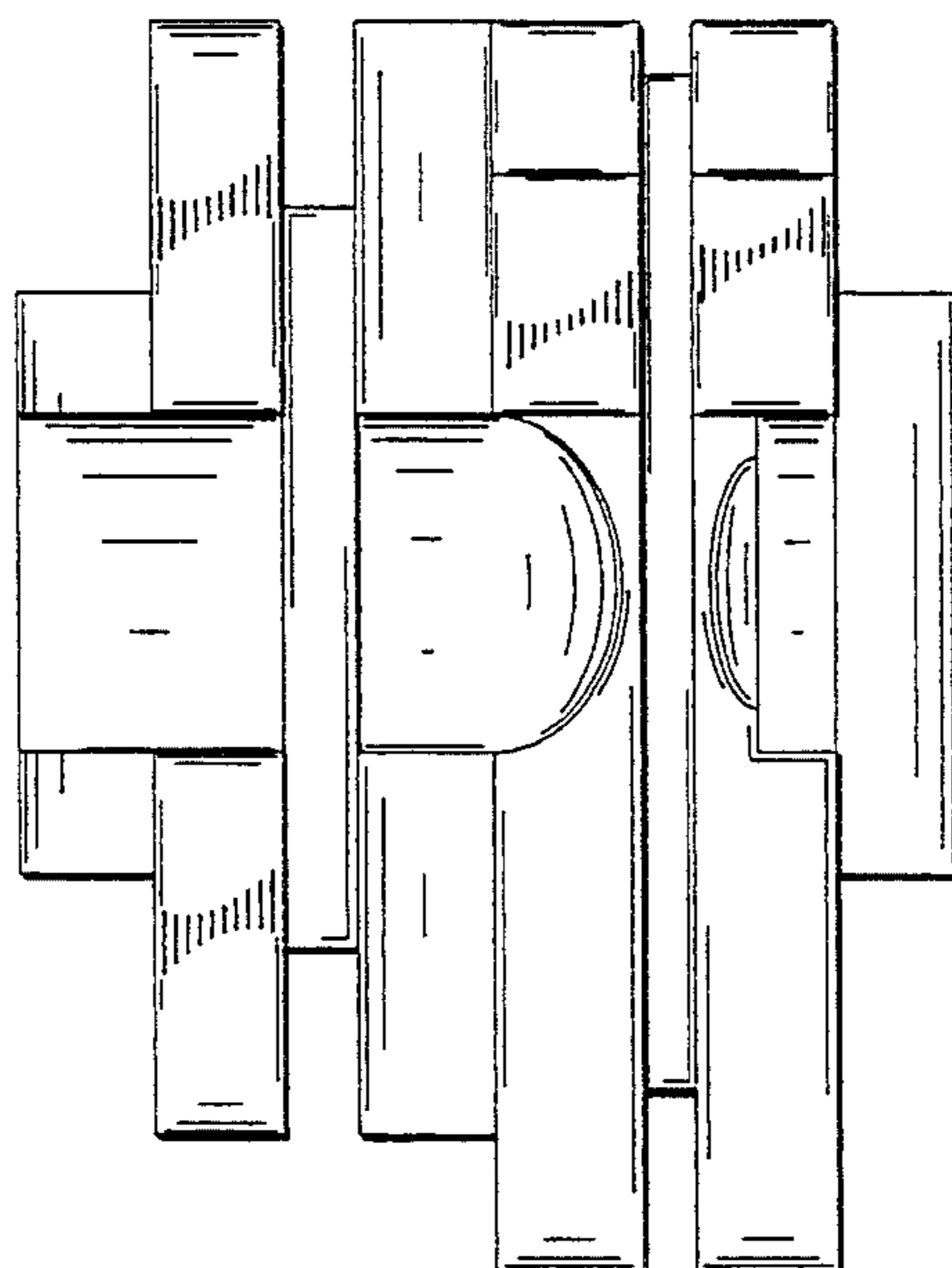


FIG. 4

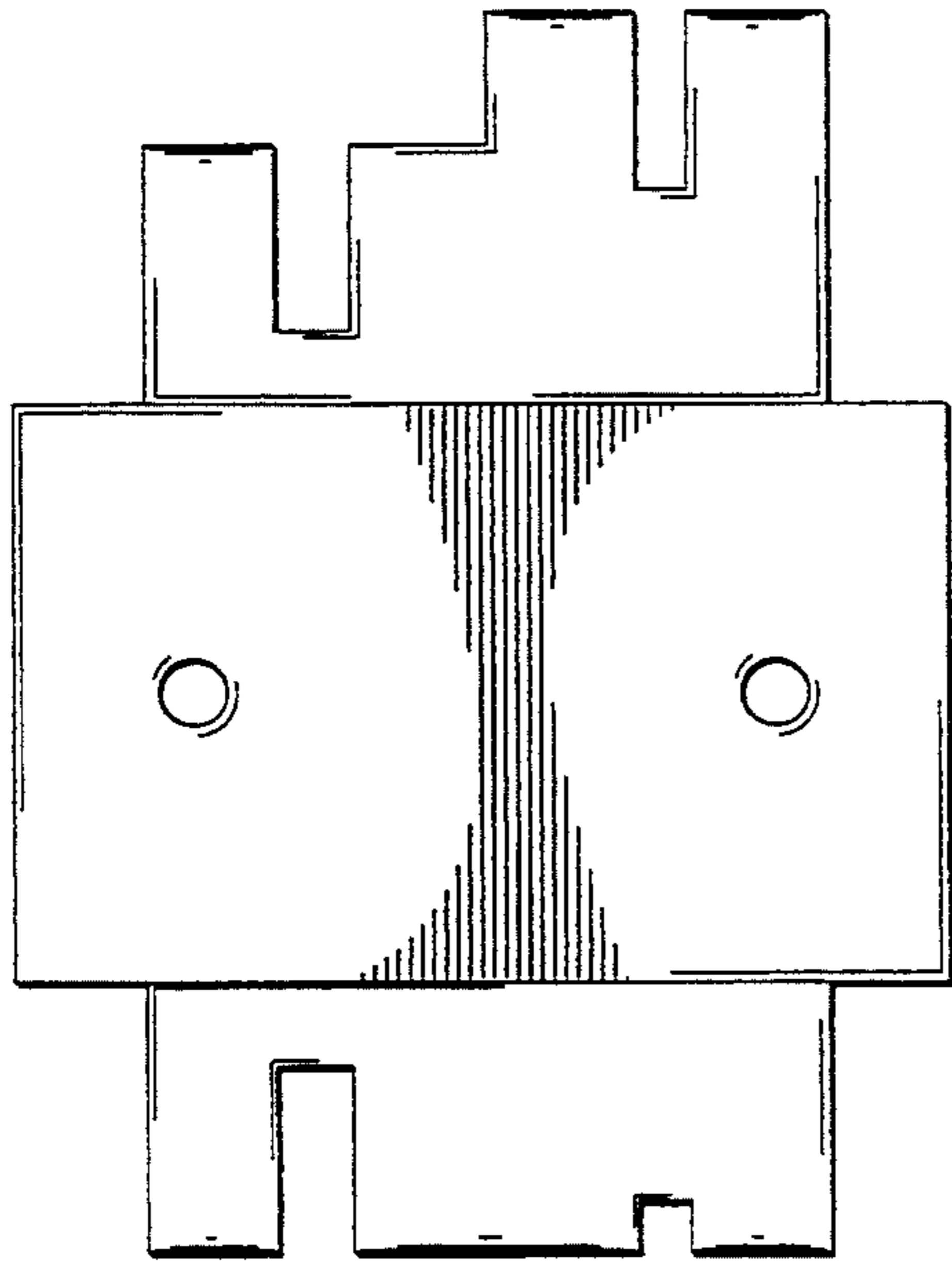


FIG. 5

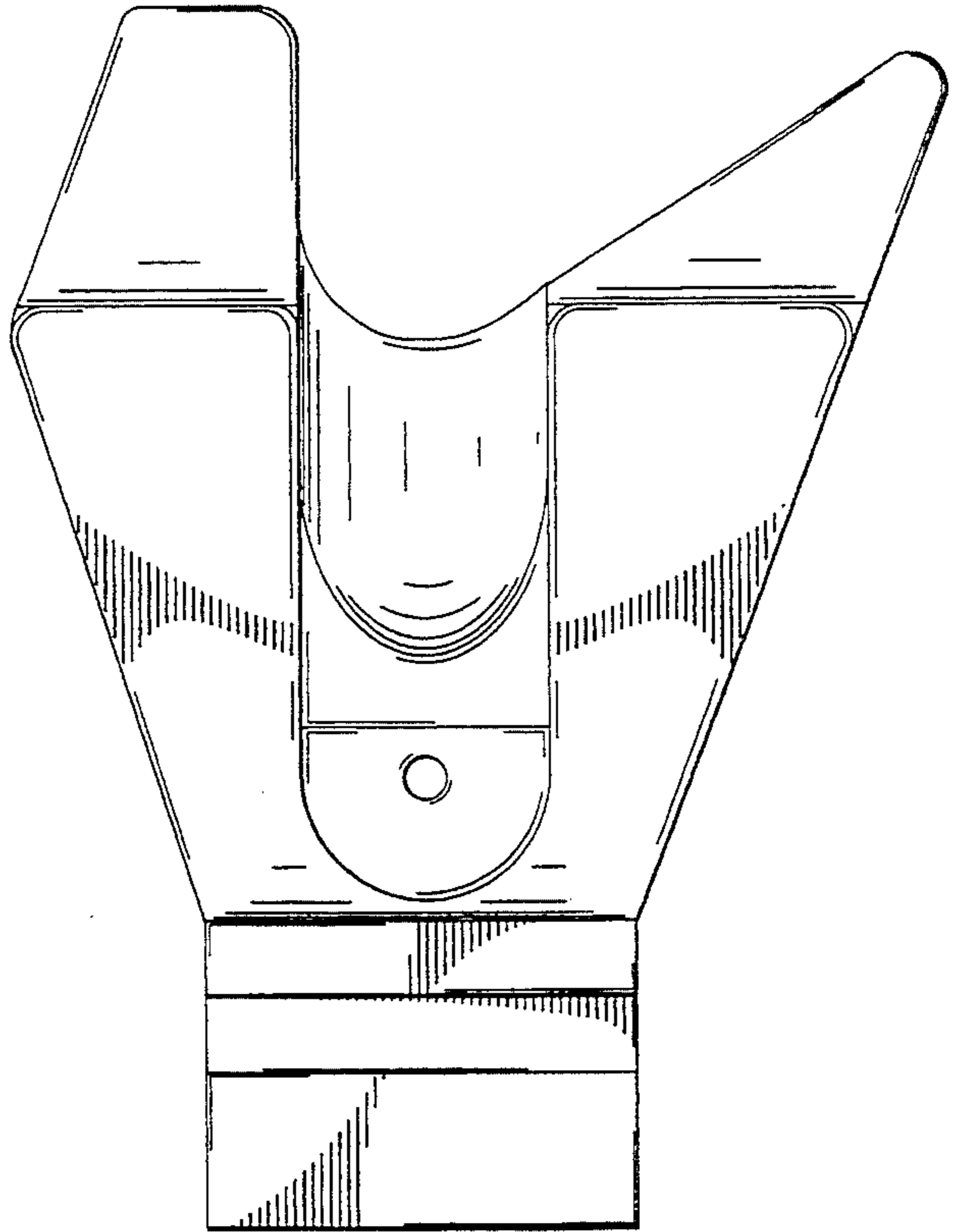


FIG. 6

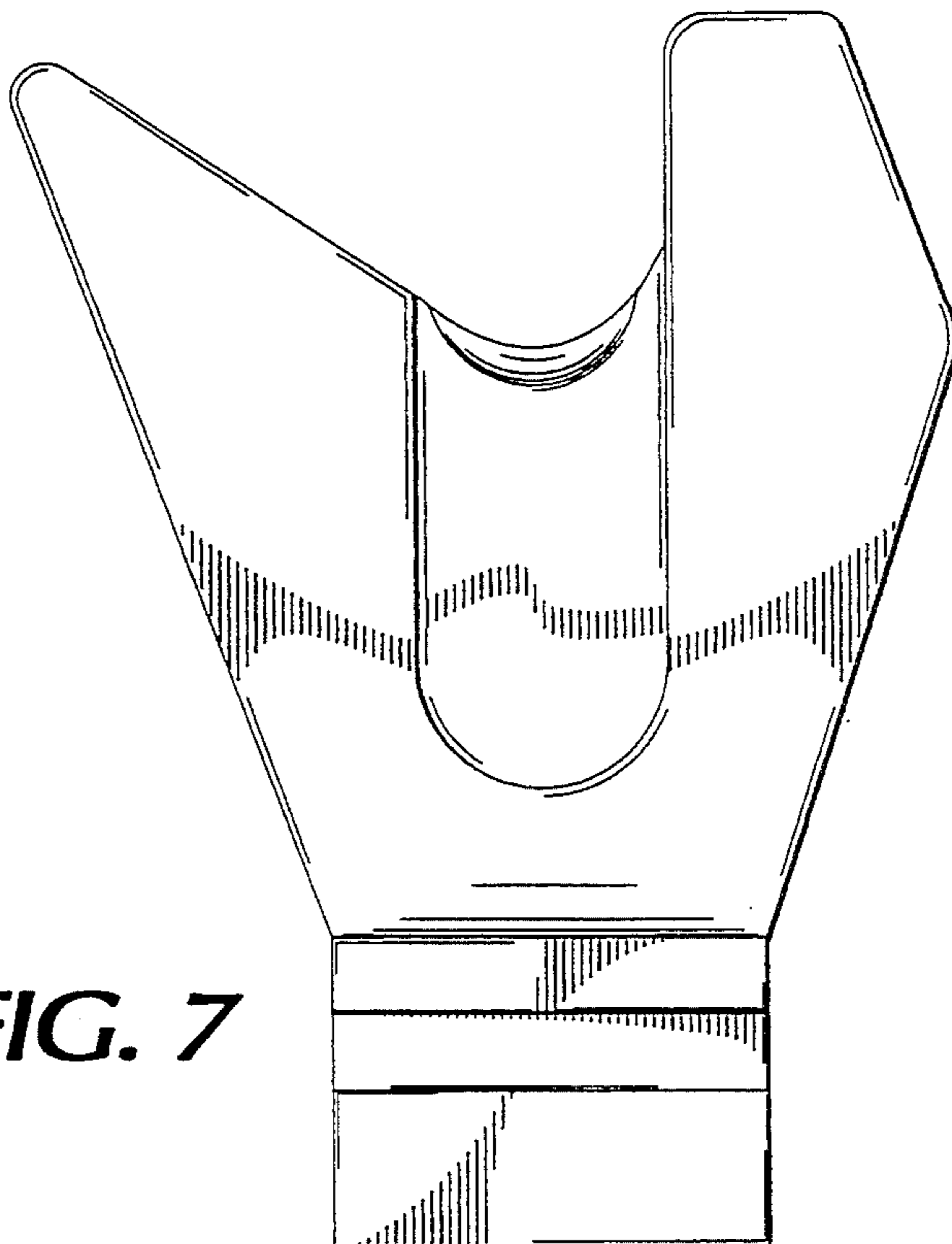


FIG. 7