



US00D362326S

# United States Patent [19]

[11] Patent Number: **Des. 362,326**

Stout et al.

[45] Date of Patent: **\*\* Sep. 12, 1995**

## [54] WASTE CONTAINER DOLLY

[76] Inventors: **George E. Stout**, 1900 E. Old Lake Rd.; **Timothy E. Stout**, 330 E. 19th, both of Merced, Calif. 95340

[\*\*] Term: **14 Years**

[21] Appl. No.: **28,930**

[22] Filed: **Sep. 26, 1994**

[52] U.S. Cl. .... **D34/23; D34/18**

[58] Field of Search ..... **D34/12, 18, 23; 280/79.11, 79.5, 79.2, 47.13**

## [56] References Cited

### U.S. PATENT DOCUMENTS

D. 310,746	9/1990	Berfield et al. ....	D34/12
D. 318,351	7/1991	Wilson .	
D. 347,095	5/1994	Apps et al. .	
2,704,165	3/1955	Hoover .	
3,598,420	9/1971	Edlin .	
3,845,968	11/1974	Larson .	
4,106,648	8/1978	Dickson .	
4,135,725	1/1979	DiRoma .	
4,799,699	1/1989	Berfield et al. ....	280/79.5

## FOREIGN PATENT DOCUMENTS

289937 11/1988 European Pat. Off. .... 280/79.5  
2244683 11/1991 United Kingdom .... 280/79.5

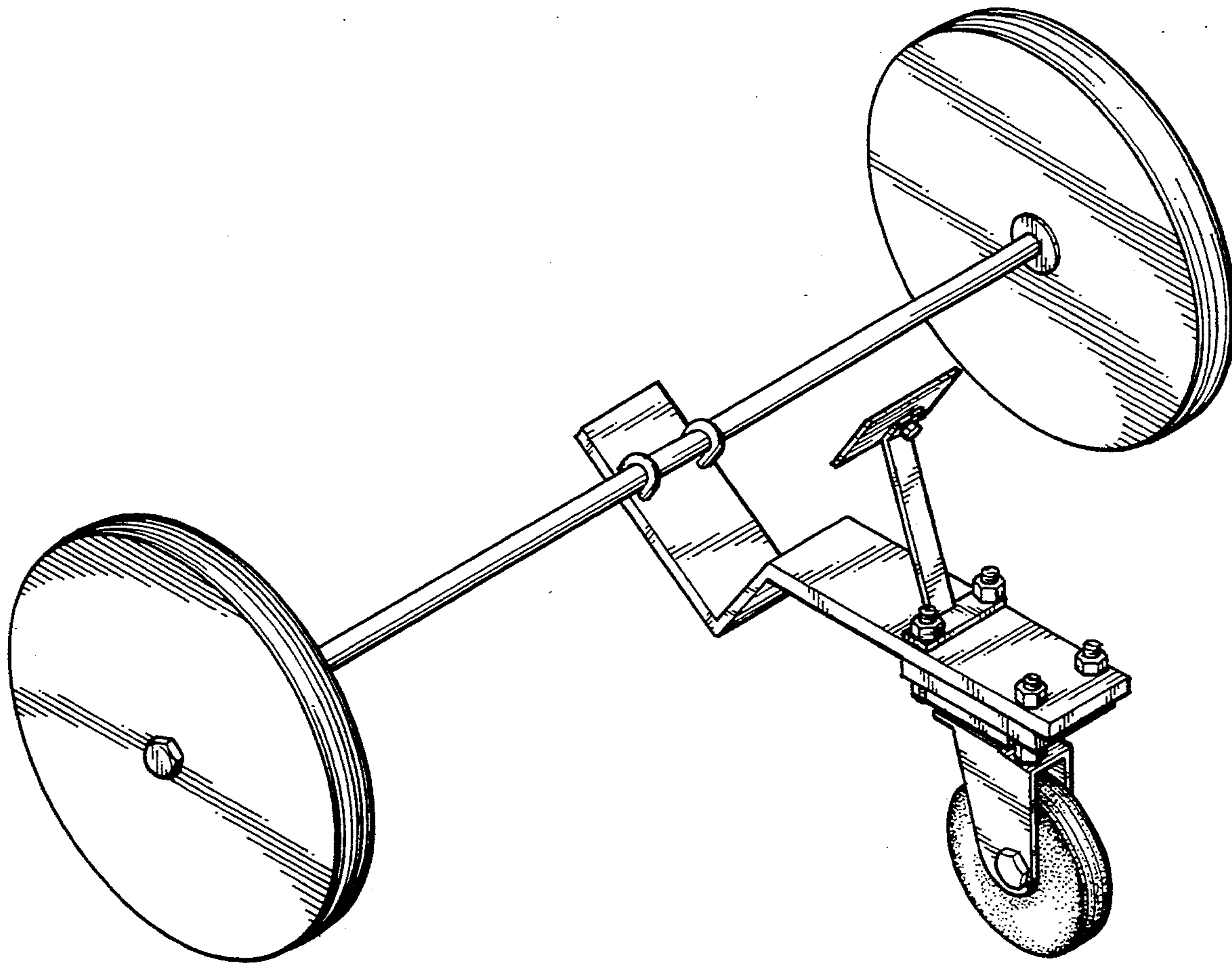
*Primary Examiner*—Kay H. Chin  
*Attorney, Agent, or Firm*—Richard C. Litman

## [57] CLAIM

The ornamental design for a waste container dolly, as shown and described.

## DESCRIPTION

FIG. 1 is a perspective view of a waste container dolly showing my new design;  
FIG. 2 is a top view thereof;  
FIG. 3 is a front elevational view thereof;  
FIG. 4 is a right side elevational view with the left side being a mirror image thereof;  
FIG. 5 is a rear elevational view thereof;  
FIG. 6 is a bottom view thereof; and,  
FIG. 7 is a perspective view of a waste container dolly showing a second embodiment thereof.  
The broken line showing of part of a waste container in FIG. 4 is for illustrative purposes only and forms no part of the claimed design.



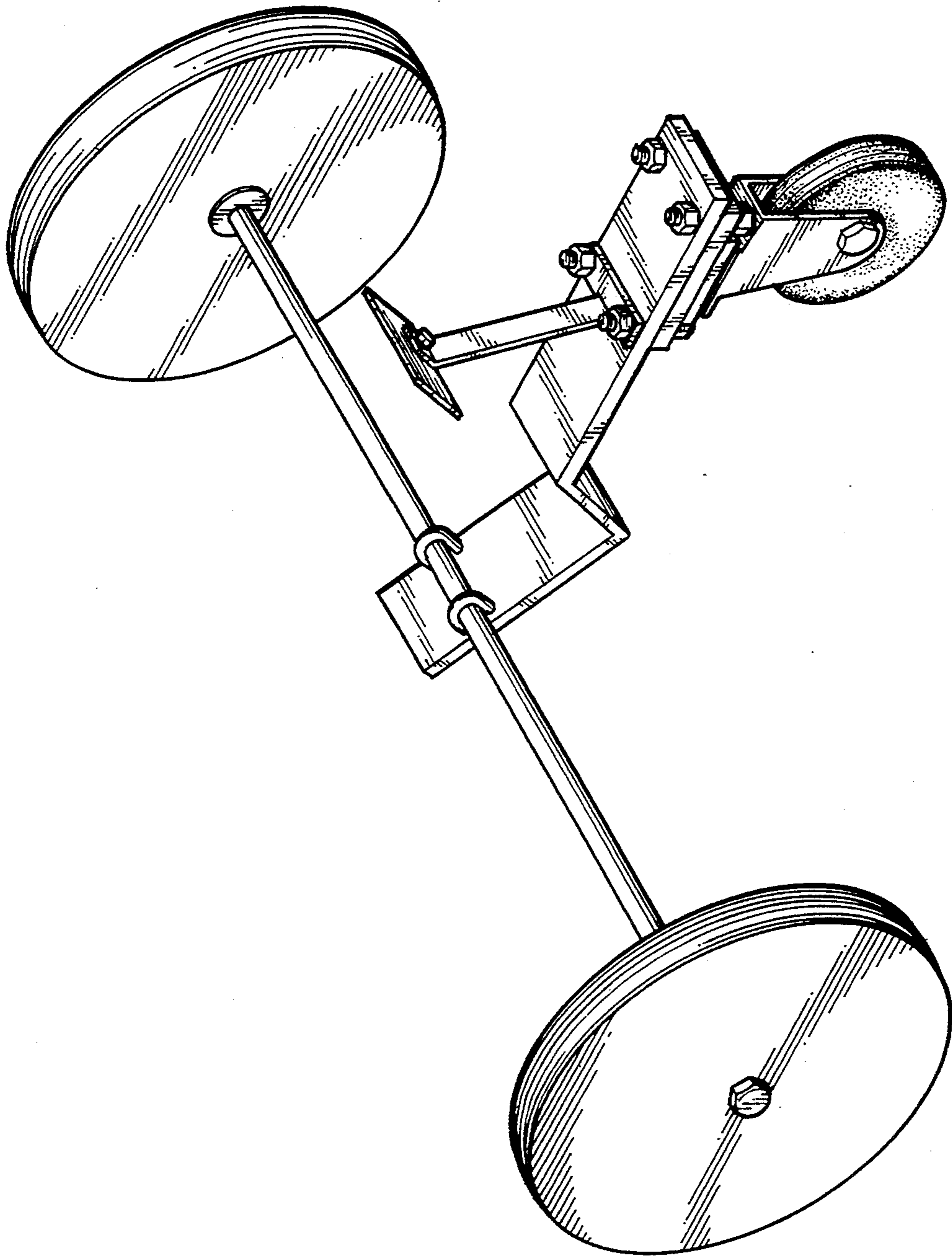


FIG. 1

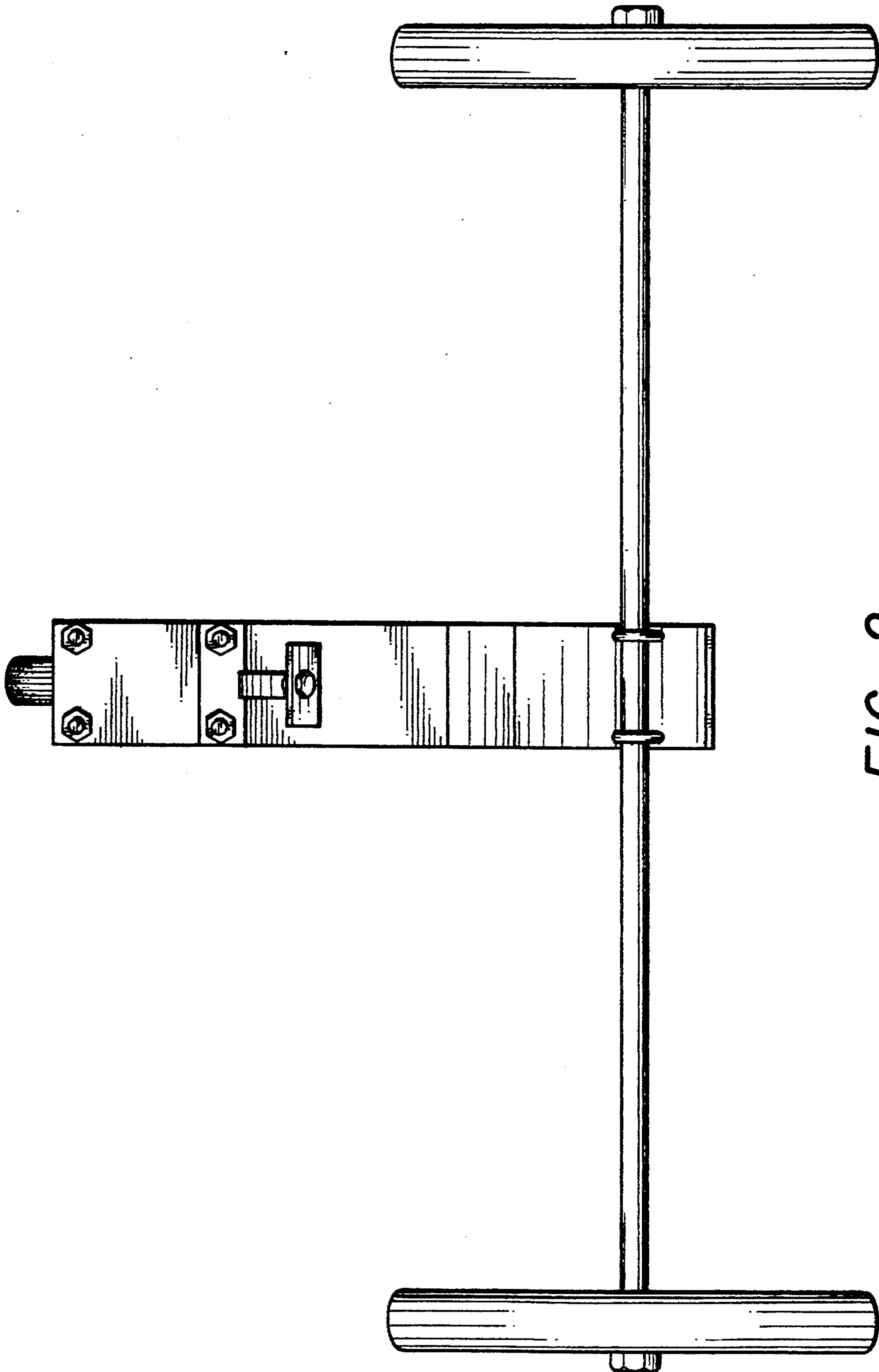


FIG. 2

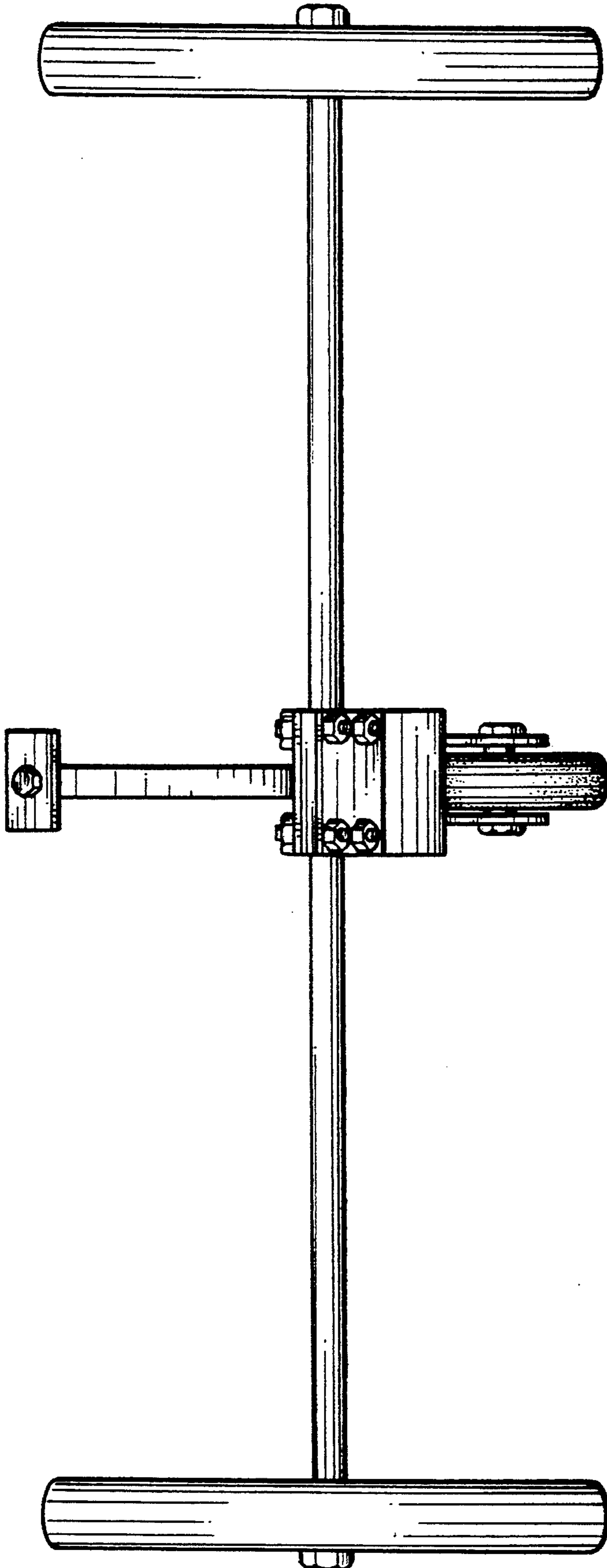


FIG. 3

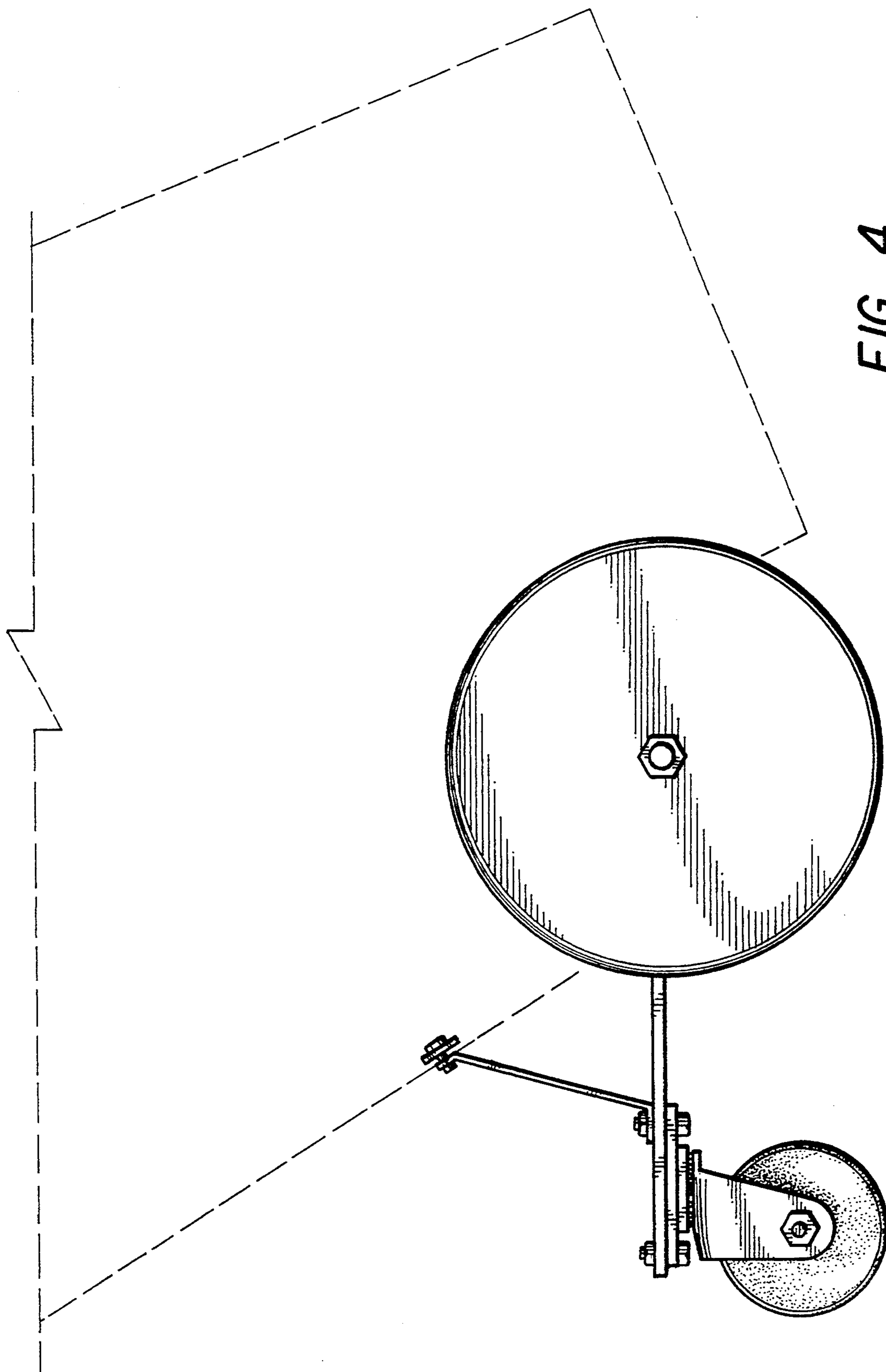


FIG. 4

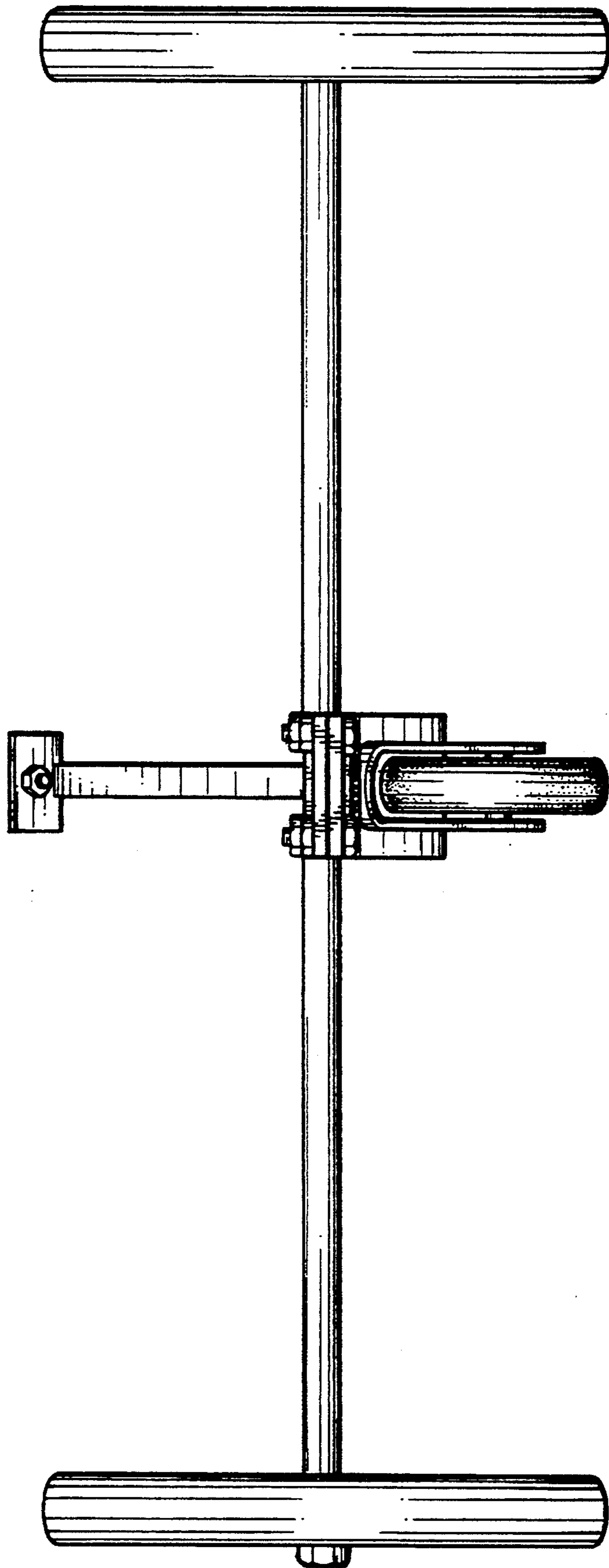


FIG. 5

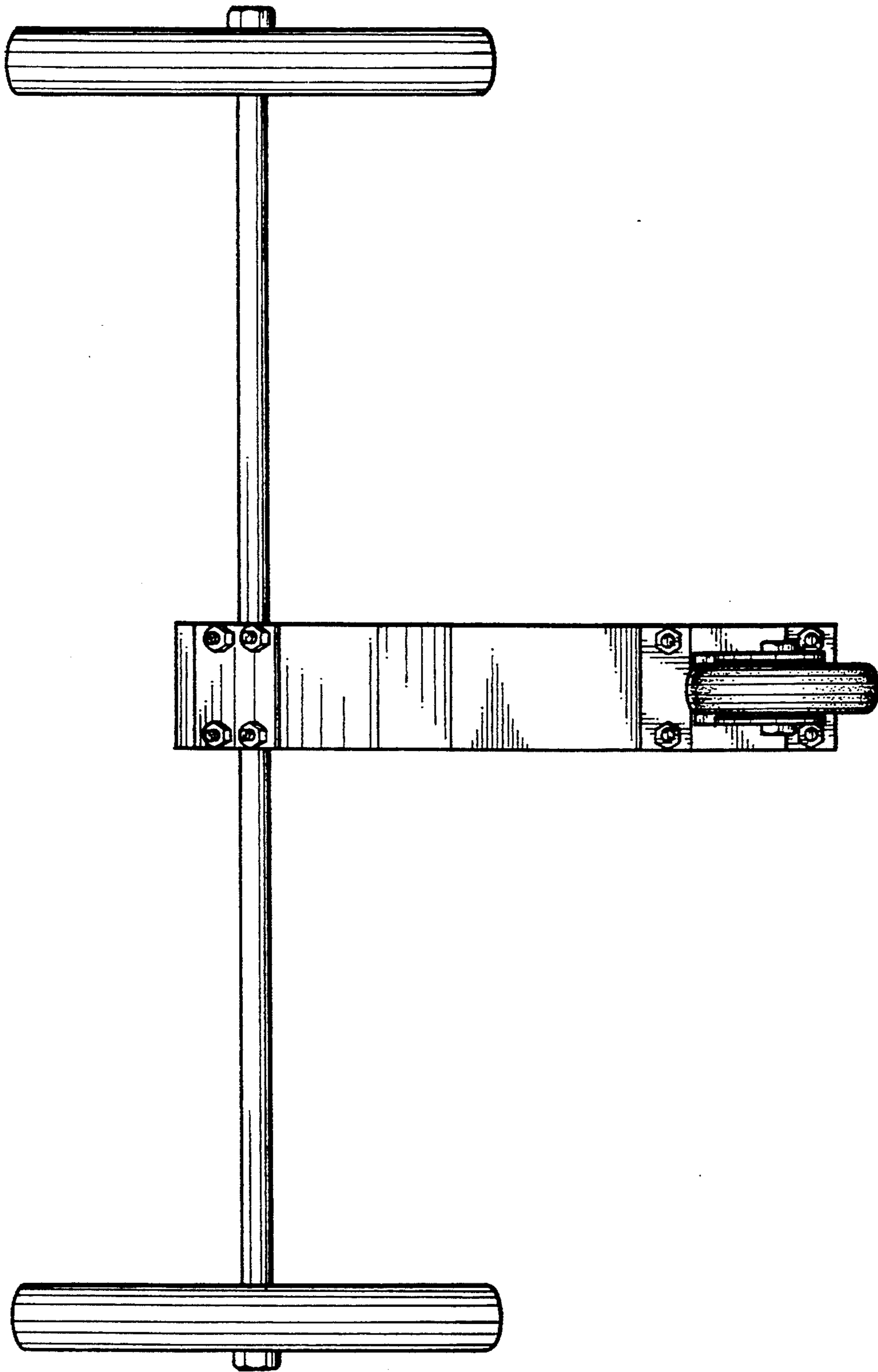


FIG. 6

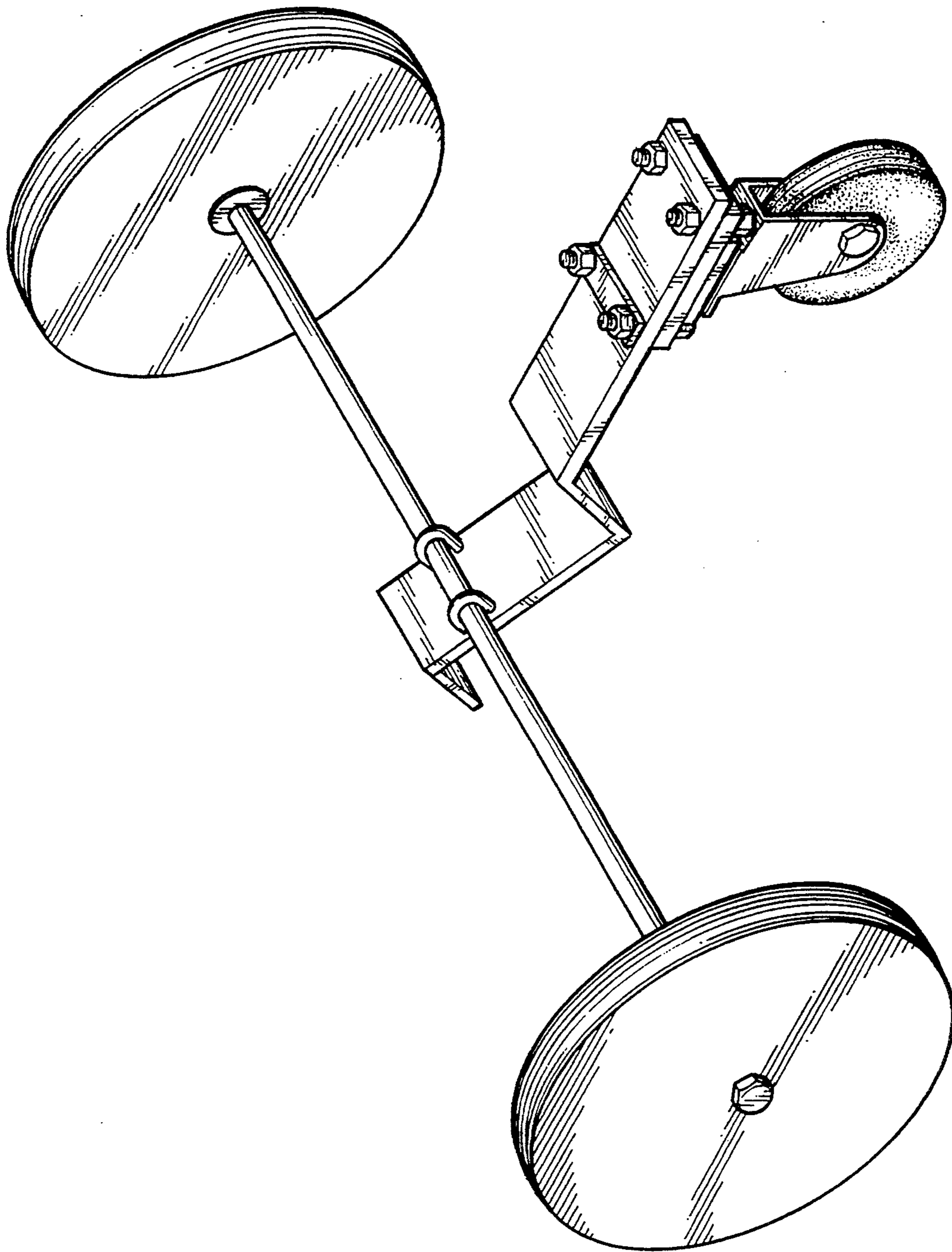


FIG. 7