



US00D362321S

United States Patent [19]

[11] Patent Number: **Des. 362,321**

Houssin et al.

[45] Date of Patent: **** Sep. 12, 1995**

[54] **SUSPENDED SPOTLIGHT ASSEMBLY**

[75] Inventors: **Bruno Houssin; Alain Giro;**
Pierre-Laurent Martin, all of Paris,
France

[73] Assignee: **Zebulon**, Paris, France

[**] Term: **14 Years**

[21] Appl. No.: **6,687**

[22] Filed: **Apr. 5, 1993**

Related U.S. Application Data

[63] Continuation-in-part of Ser. No. 910,706, Jul. 8, 1992,
Pat. No. Des. 354,578.

[52] U.S. Cl. **D26/63; D26/86**

[58] Field of Search **D26/60, 61, 63, 64,**
D26/65, 72, 80-92; 362/147, 269, 271, 275, 418,
419, 427, 404, 405, 406, 407, 408

[56] **References Cited**

U.S. PATENT DOCUMENTS

2,740,885	4/1956	Kruger	362/220
4,358,817	11/1982	Bielemeier	362/220 X
4,933,820	6/1990	Engel	362/221 X
4,994,943	2/1991	Aspenall	362/220 X
5,025,355	6/1991	Harwood	362/223 X

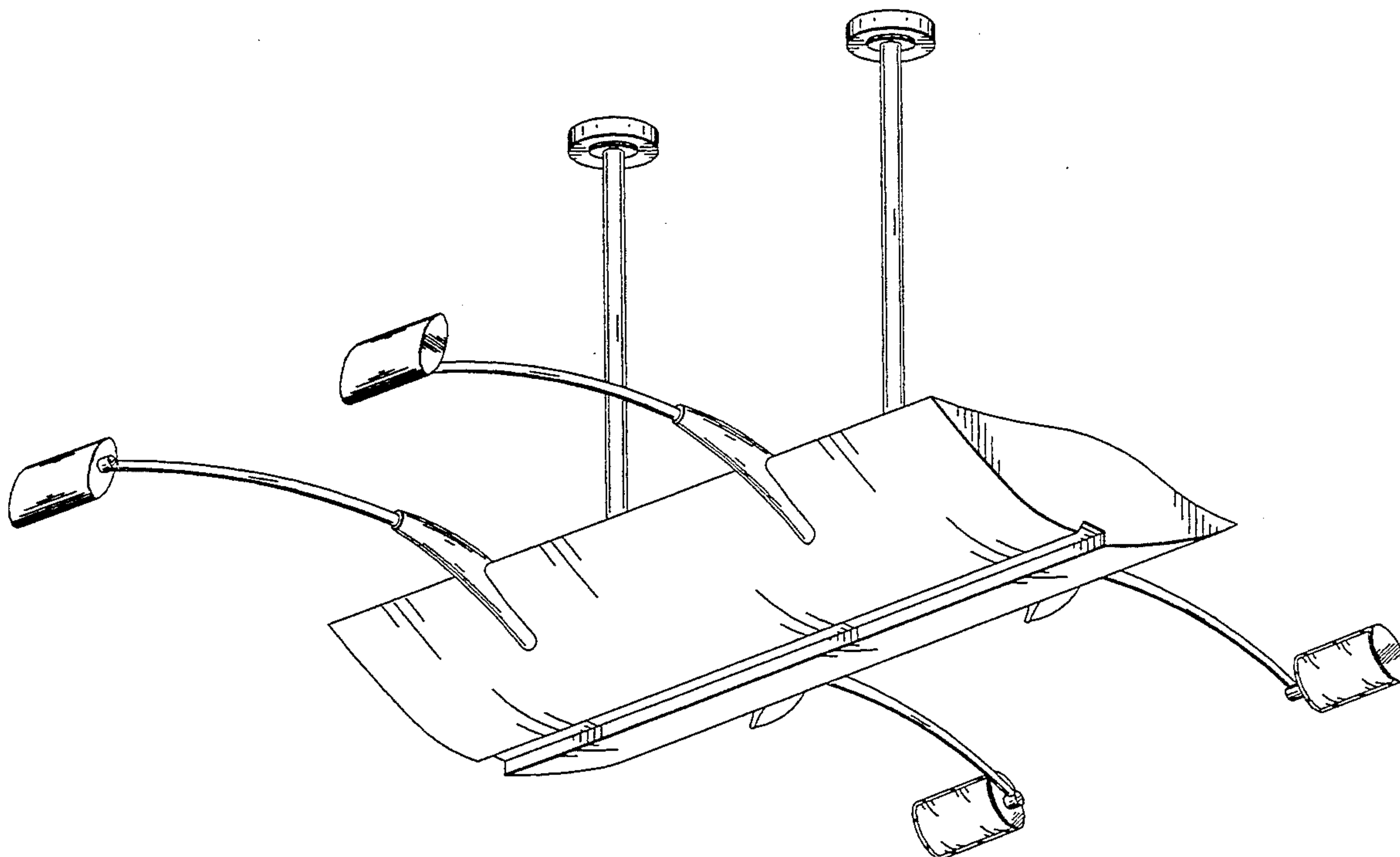
Primary Examiner—Susan J. Lucas
Attorney, Agent, or Firm—Felfe & Lynch

[57] **CLAIM**

The ornamental design for a suspended spotlight assembly, as shown and described.

DESCRIPTION

FIG. 1 is a perspective view of a suspended spotlight assembly showing our new design; FIG. 2 is a side elevational view thereof; FIG. 3 is a bottom plan view thereof; FIG. 4 is an end view thereof; and, FIG. 5 is a front view of one of the spotlights, the remainder of the assembly being omitted for convenience of illustration.



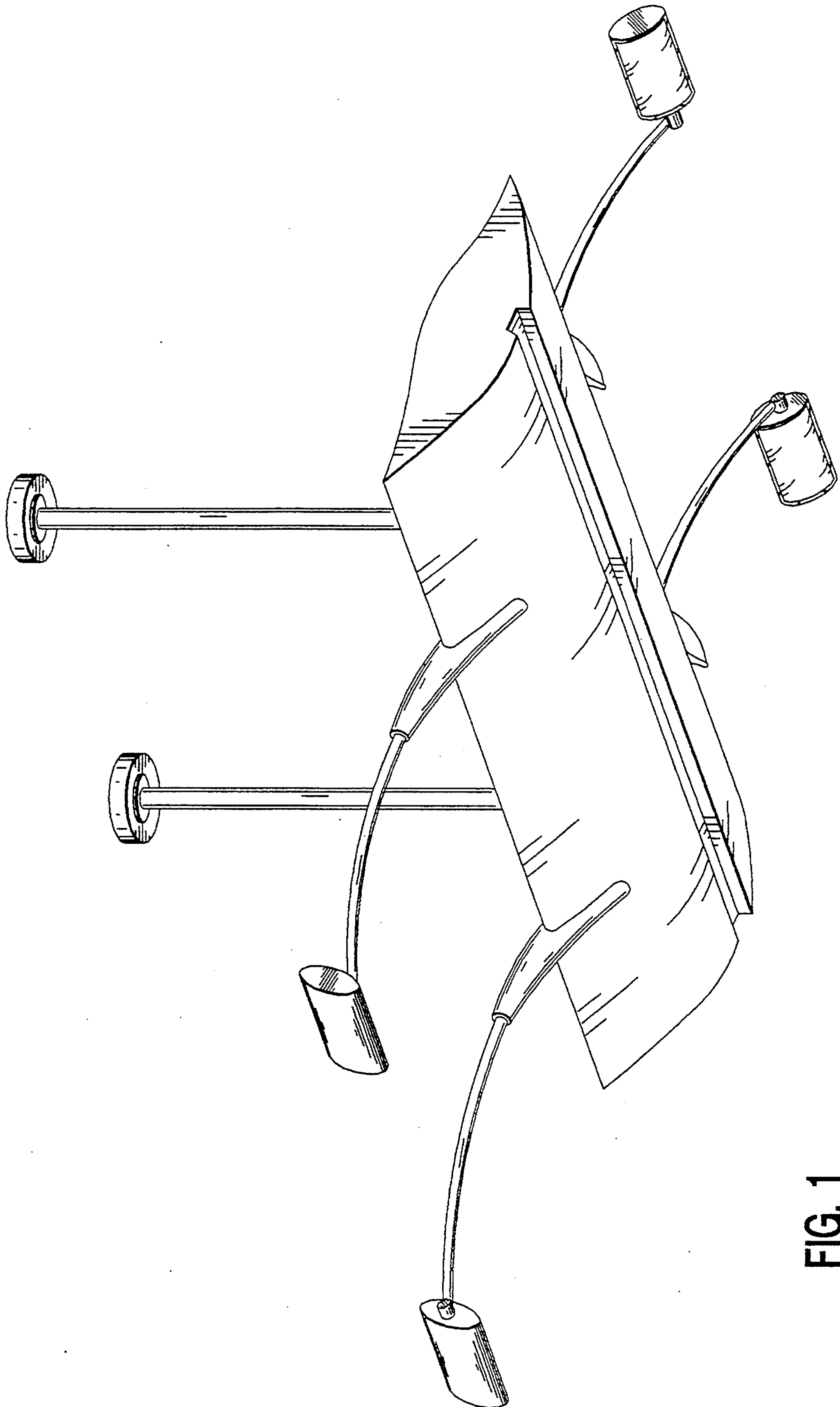


FIG. 1

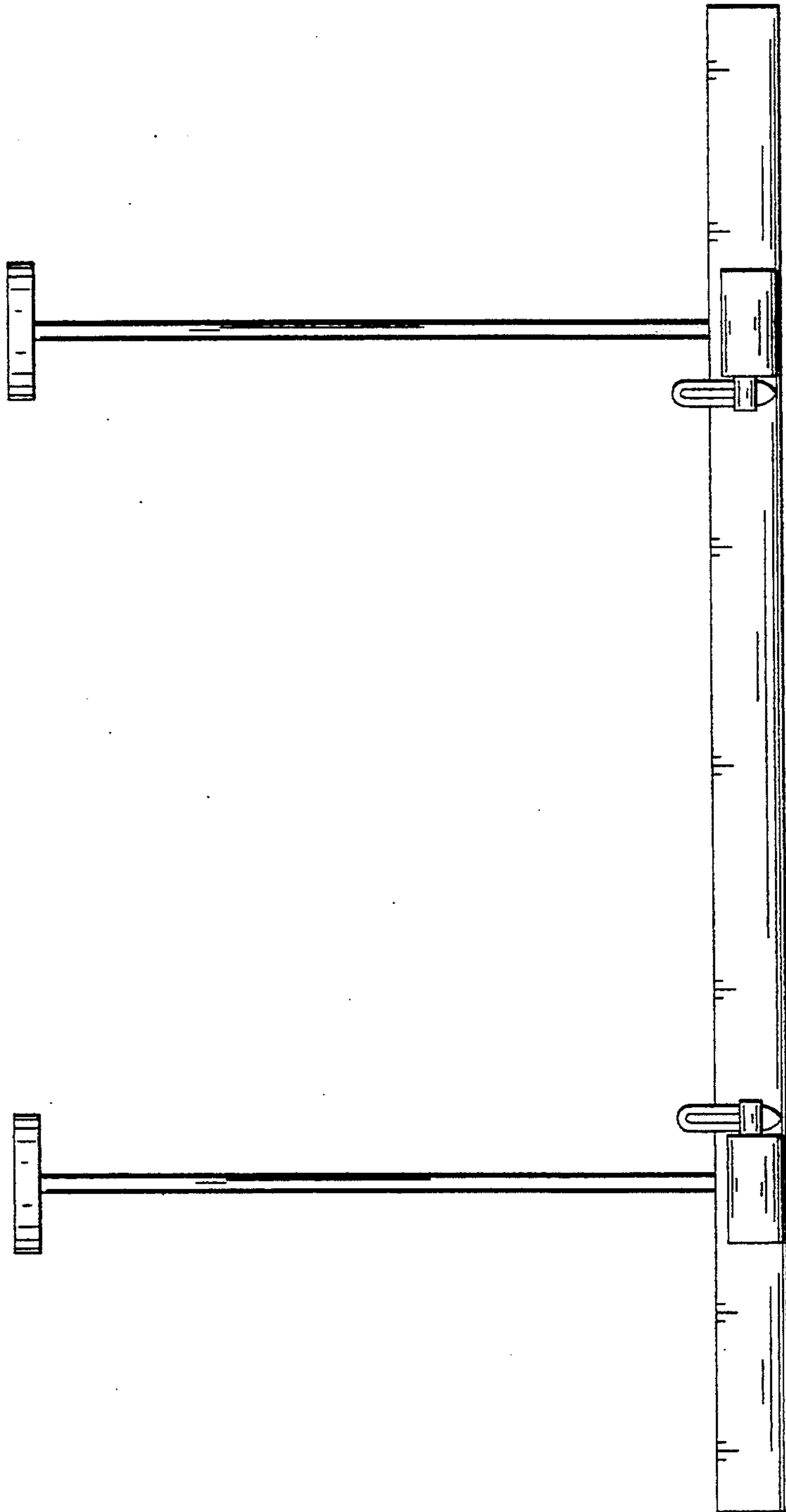


FIG. 2

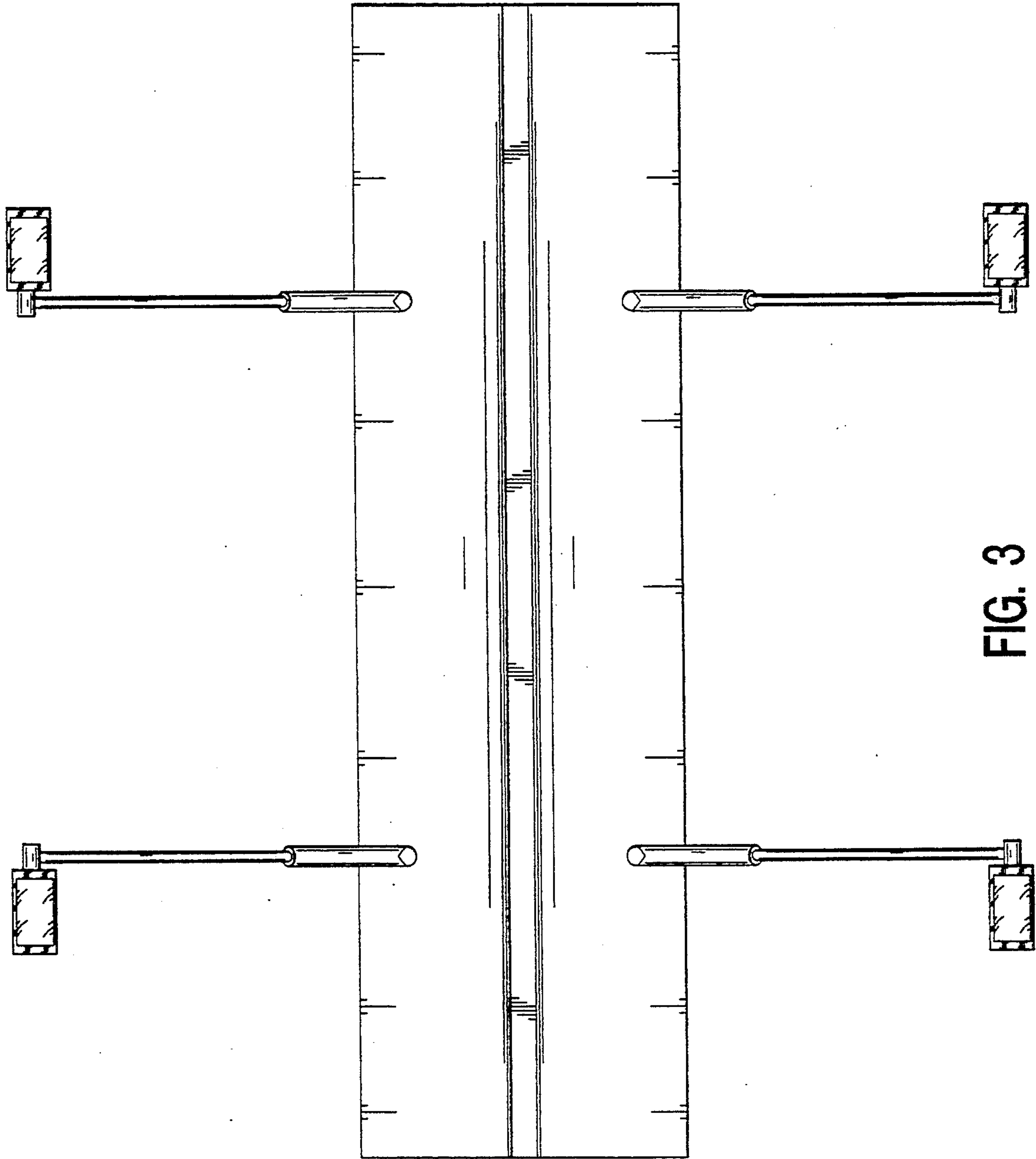


FIG. 3

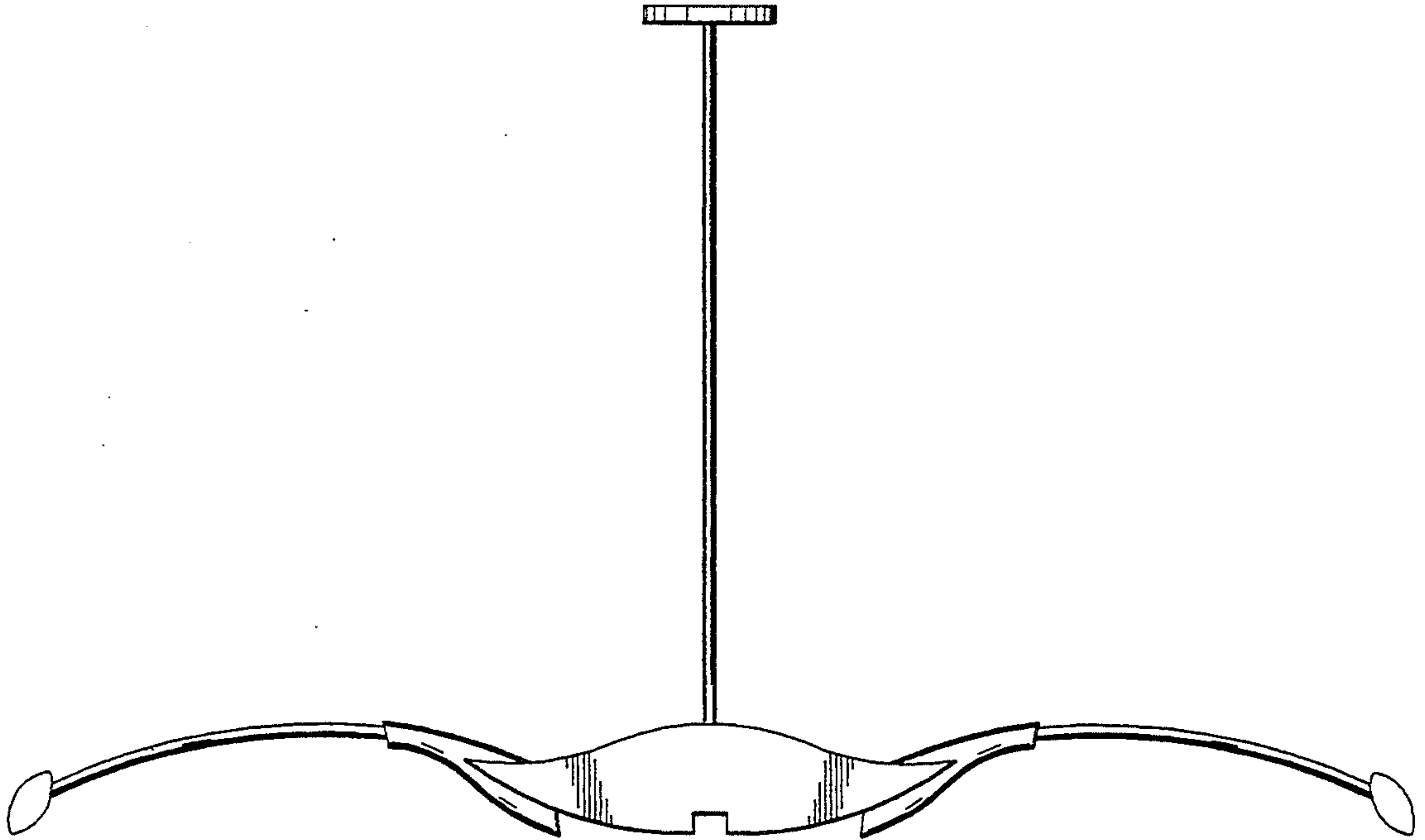


FIG. 4

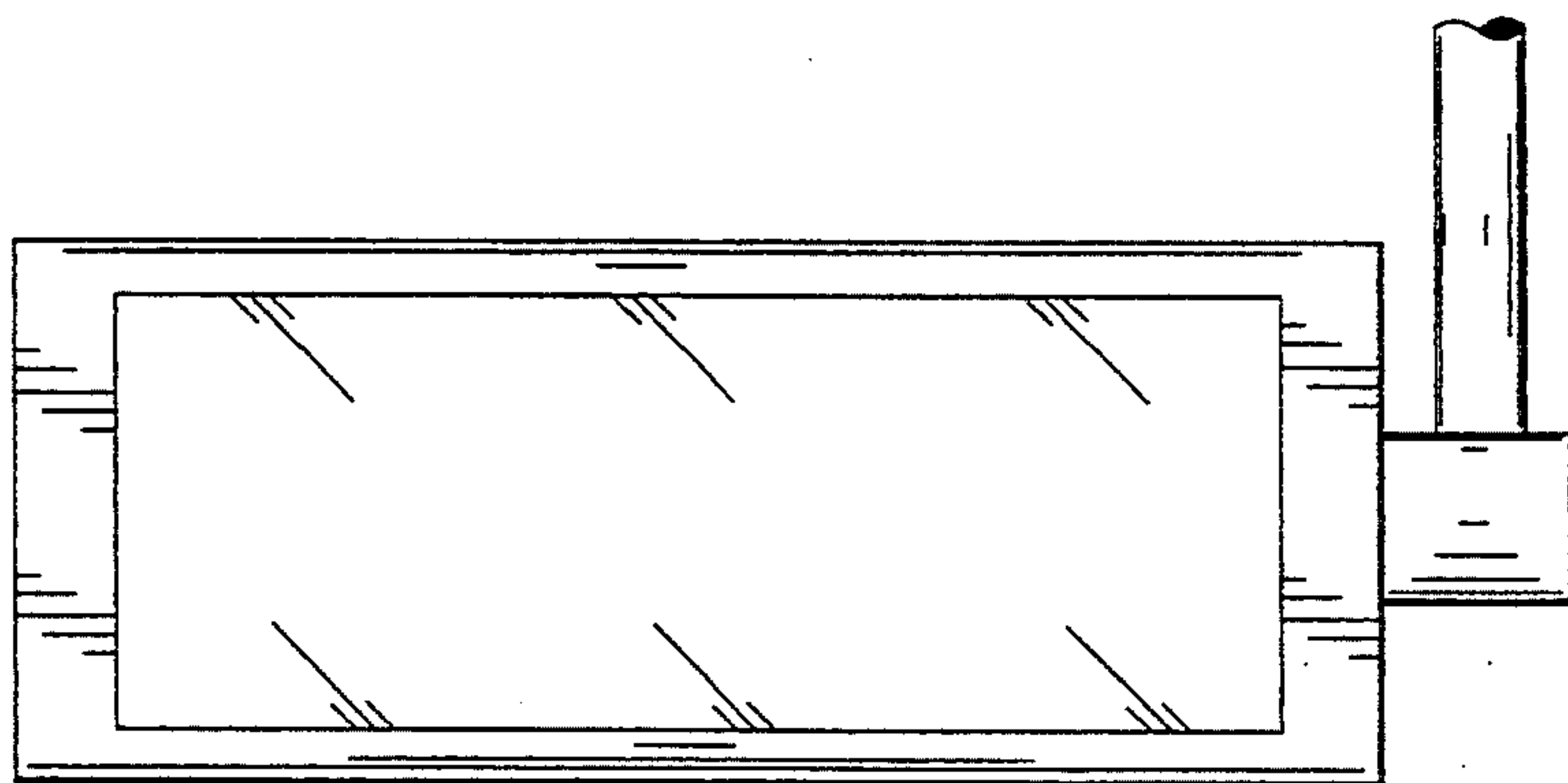


FIG. 5