



US00D362320S

# United States Patent [19]

[11] Patent Number: **Des. 362,320**

**Izumi**

[45] Date of Patent: **\*\* Sep. 12, 1995**

[54] **ELECTRIC SHAVER**

D. 344,156	2/1994	Murumatsu et al.	.....	D28/50
5,022,153	6/1991	Baron	.....	30/34.1
5,185,926	2/1993	Locke	.....	30/43.9 X

[75] Inventor: **Yukio Izumi, Nagano, Japan**

[73] Assignee: **Izumi Products Company, Nagano, Japan**

### FOREIGN PATENT DOCUMENTS

0274280 11/1990 Japan ..... 30/34.1

[\*\*] Term: **14 Years**

*Primary Examiner*—Theodore M. Shooman  
*Assistant Examiner*—C. Tuttle  
*Attorney, Agent, or Firm*—Koda and Androlia

[21] Appl. No.: **7,940**

### [57] CLAIM

[22] Filed: **May 5, 1993**

The ornamental design for the electric shaver, as shown and described.

[52] U.S. Cl. .... **D28/50**

[58] Field of Search ..... **D28/49-52;**  
30/34.05, 34.1, 34.2, 41, 41.5, 41.6, 41.9, 42-45,  
43.3-43.92, 85

### DESCRIPTION

### [56] References Cited

#### U.S. PATENT DOCUMENTS

D. 282,979	3/1986	Nagelkerke et al.	.....	D28/50
D. 291,372	8/1987	Oord et al.	.....	D28/50
D. 291,499	8/1987	Oord et al.	.....	D28/50
D. 298,069	10/1988	Izumi	.....	D28/58
D. 306,360	2/1990	Oord et al.	.....	D28/50
D. 311,973	11/1990	Izumi	.....	D28/50

FIG. 1 is a perspective view taken from the top, front and right side of the electric shaver showing my new design;

FIG. 2 is a front elevational view thereof;

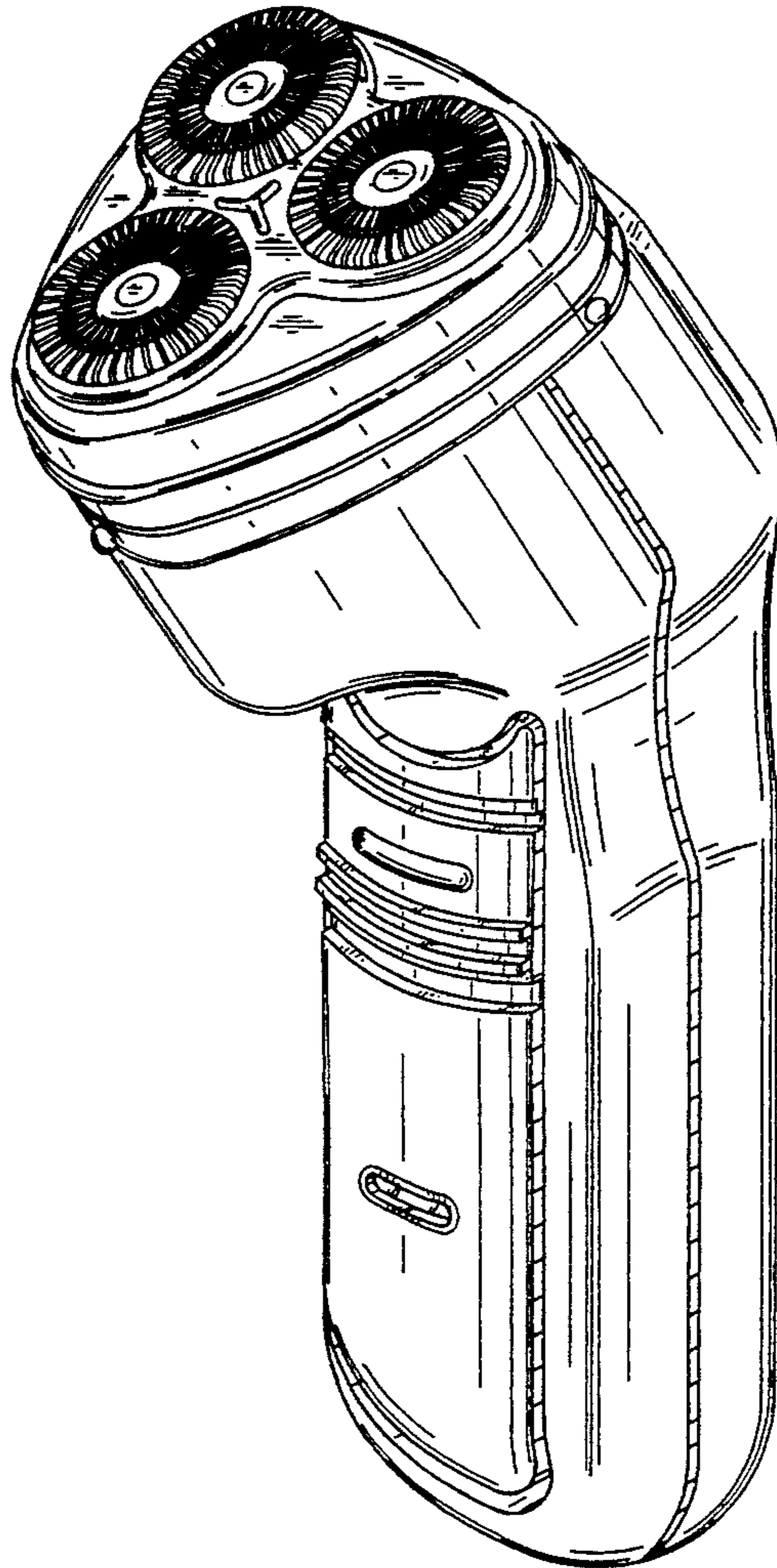
FIG. 3 is a left side elevational view thereof;

FIG. 4 is a rear elevational view thereof;

FIG. 5 is a right side elevational view thereof;

FIG. 6 is a top plan view thereof; and,

FIG. 7 is a bottom plan view thereof.



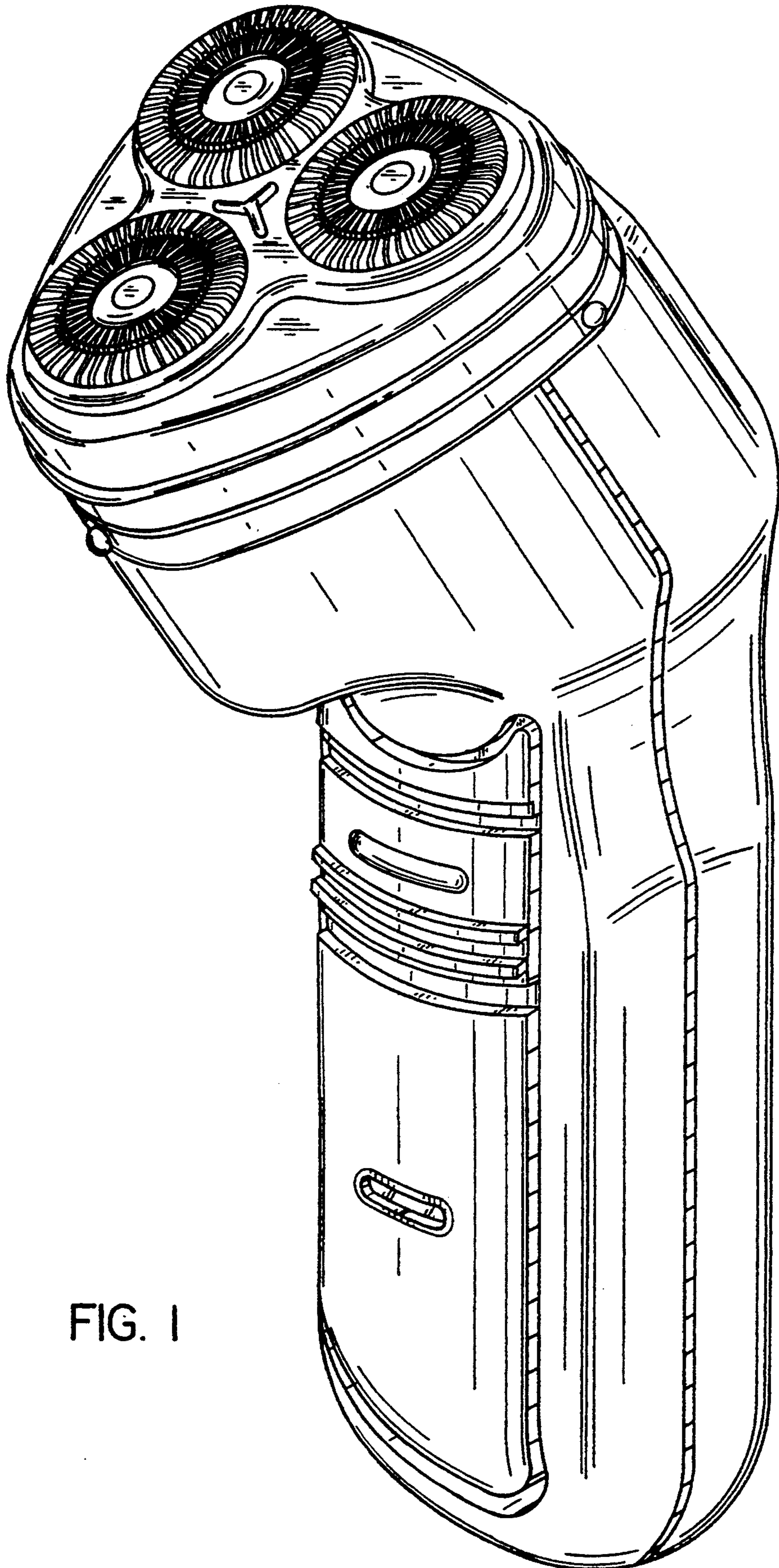


FIG. 1



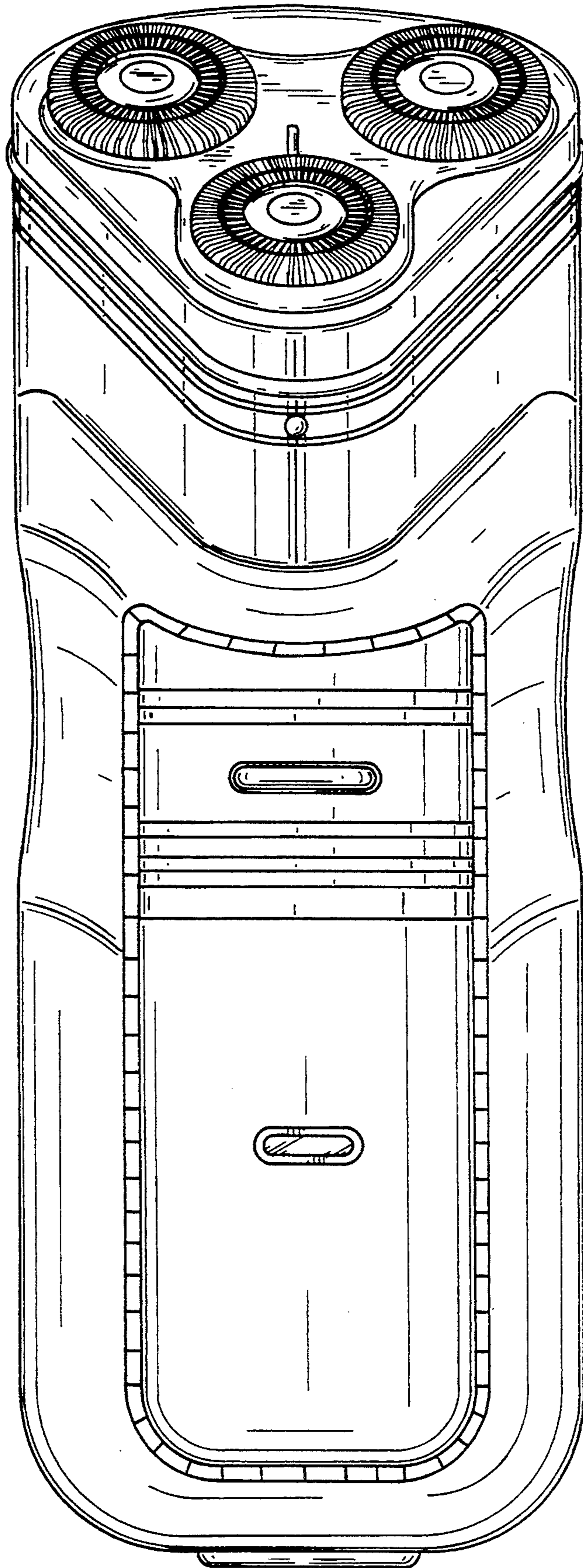


FIG. 2

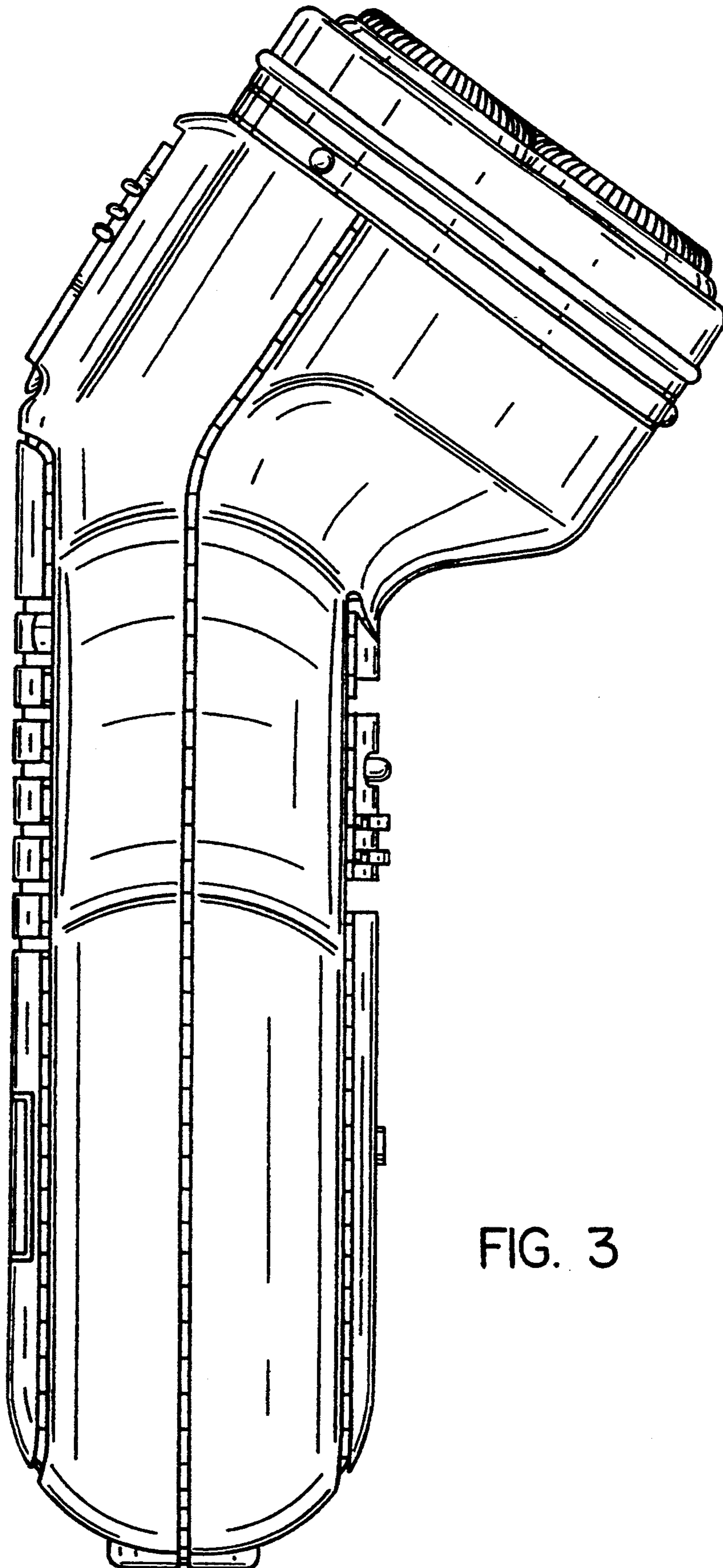


FIG. 3

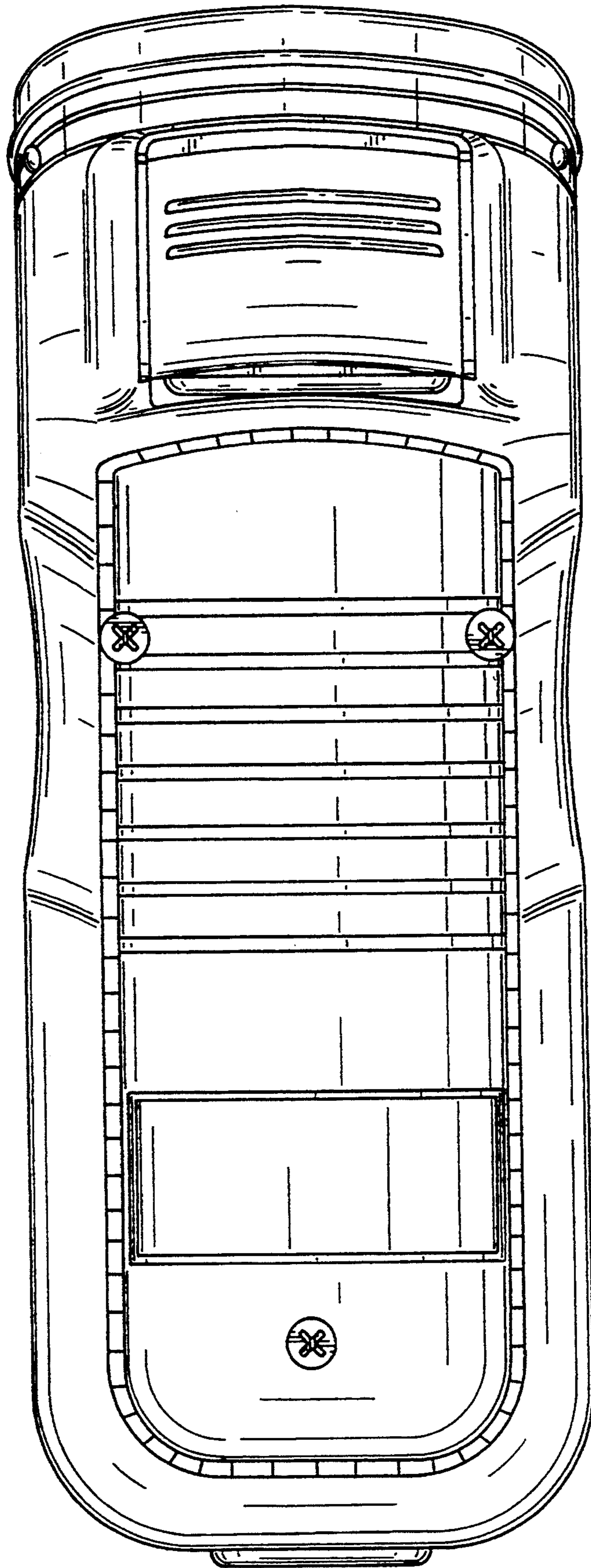


FIG. 4



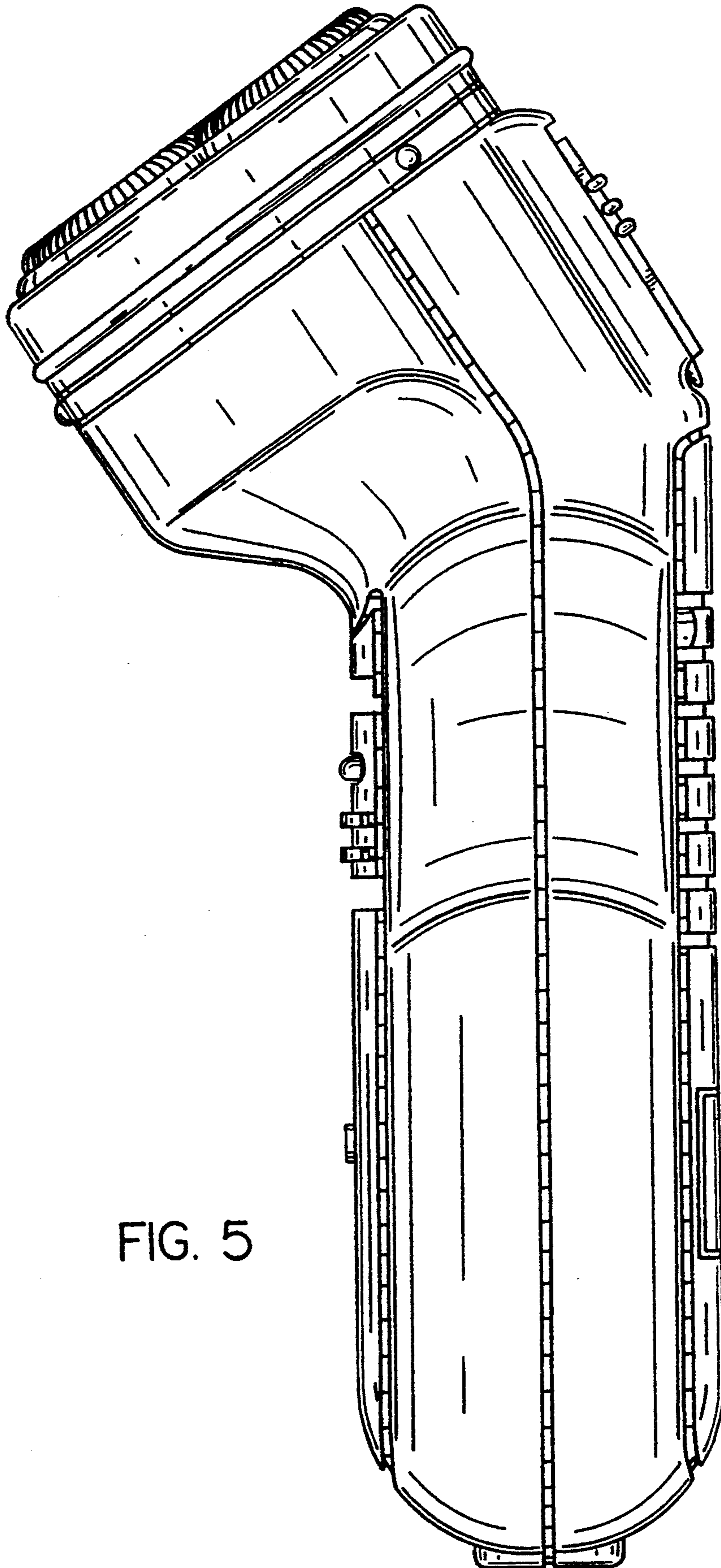


FIG. 5

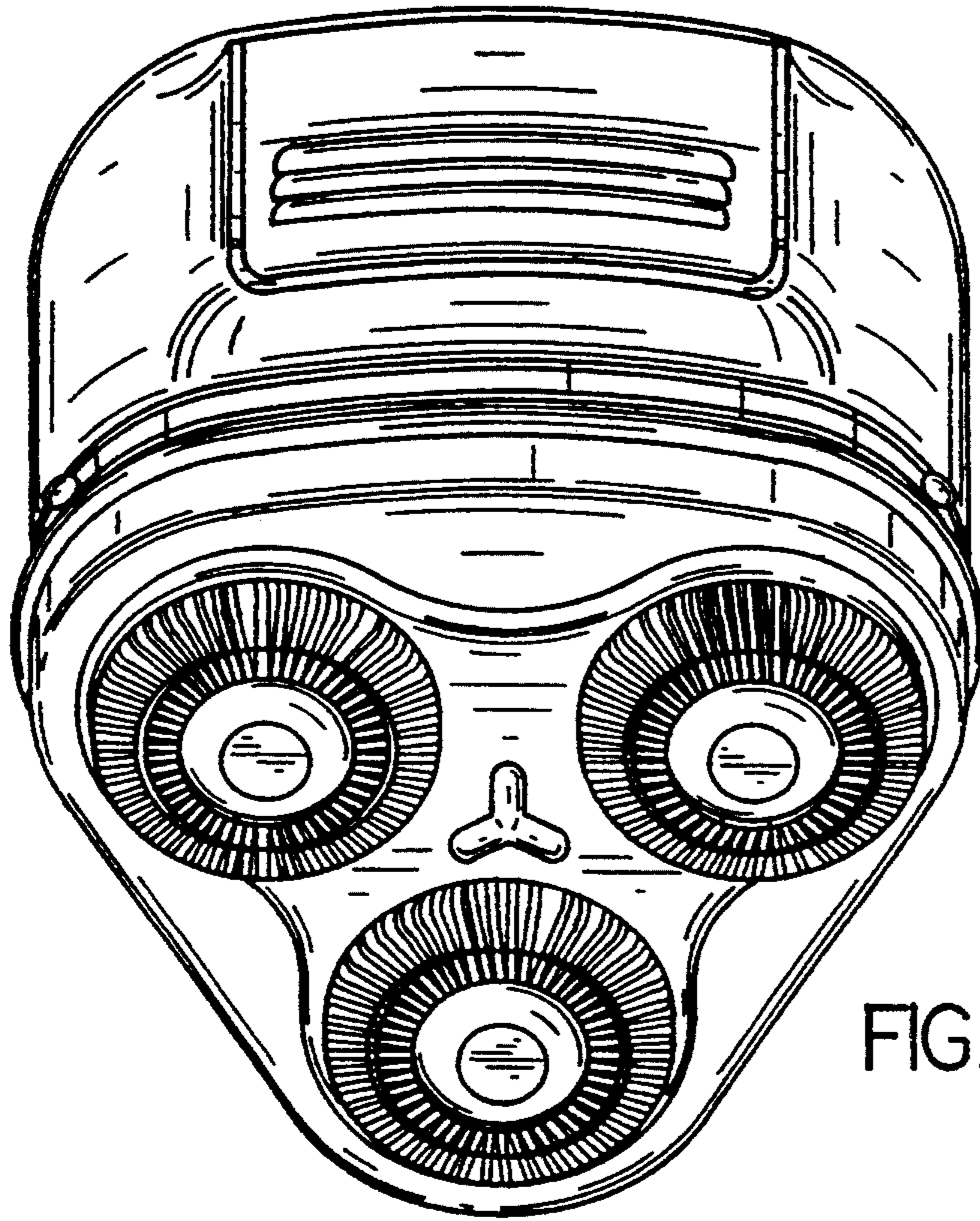


FIG. 6

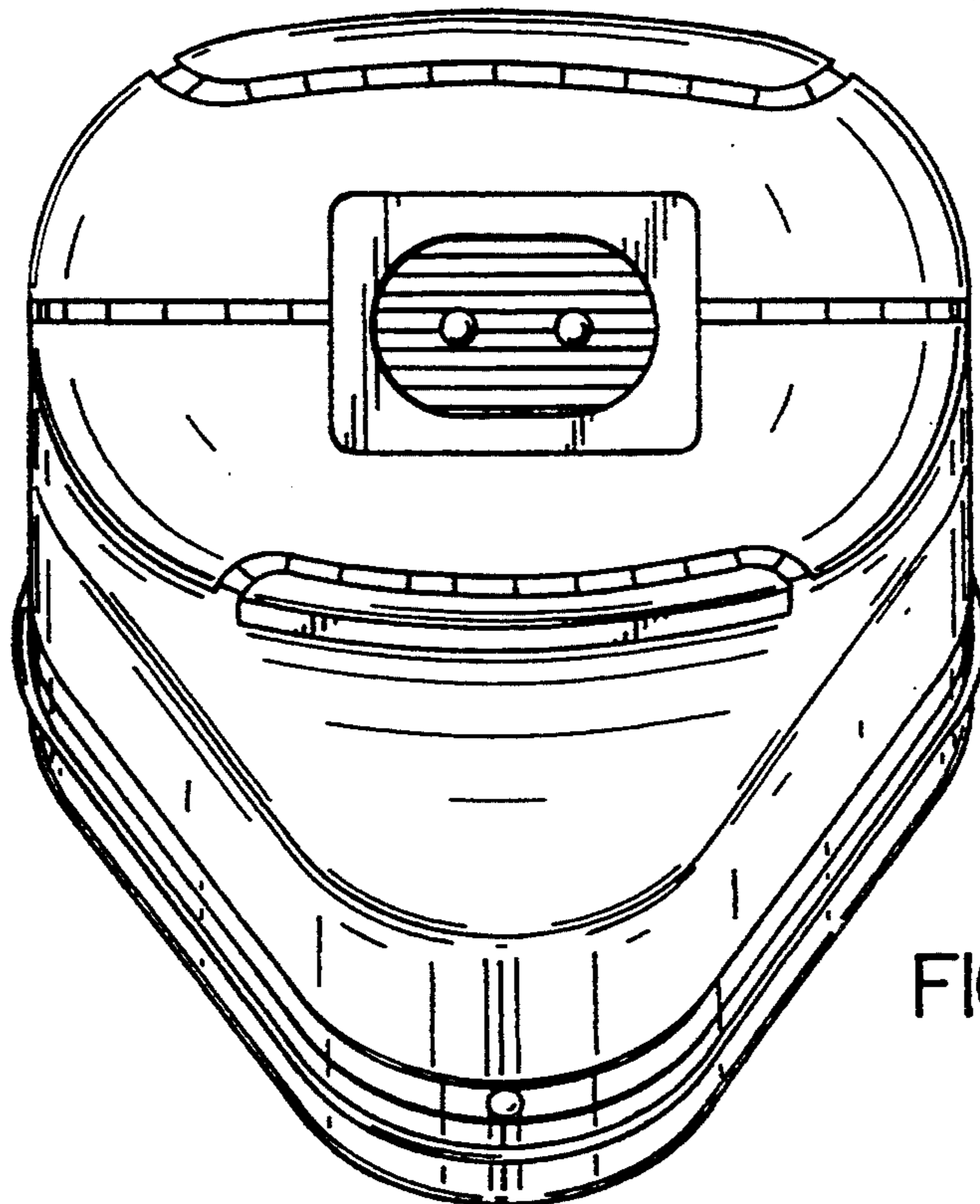


FIG. 7