



US00D362319S

United States Patent [19]
Bamber

[11] **Patent Number: Des. 362,319**

[45] **Date of Patent: ** Sep. 12, 1995**

[54] **FLASHLIGHT**

5,077,643 12/1991 Leach 362/183

[75] **Inventor: David Bamber, Wichita, Kans.**

Primary Examiner—Brian N. Vinson

Assistant Examiner—Robin V. Taylor

[73] **Assignee: The Coleman Company, Inc.,
Wichita, Kans.**

Attorney, Agent, or Firm—Tilton, Fallon, Lungmus &
Chestnut

[**] **Term: 14 Years**

[57] **CLAIM**

[21] **Appl. No.: 23,095**

The ornamental design for a flashlight, as shown and
described.

[22] **Filed: May 18, 1994**

[52] **U.S. Cl. D26/46**

DESCRIPTION

[58] **Field of Search D26/37-50;
362/157-158, 171-172, 178, 181, 183, 192, 194,
196-197, 200-206**

FIG. 1 is a top, front and right perspective view of a
flashlight showing my new design;

FIG. 2 is an enlarged front view thereof;

FIG. 3 is an enlarged side view thereof, the other side
being a mirror image;

FIG. 4 is an enlarged bottom view thereof;

FIG. 5 is an enlarged top plan view thereof;

FIG. 6 is an enlarged rear view thereof; and,

FIG. 7 is a top, right perspective view thereof, shown in
use with the outlet being shown in broken lines for
illustrative purposes only forming no part of the
claimed design.

[56] **References Cited**

U.S. PATENT DOCUMENTS

D. 296,827	7/1988	Yuen	D26/44
D. 328,144	7/1992	Yuen	D26/44
D. 328,145	7/1992	Yuen	D26/46
4,224,658	9/1980	Siiberg	362/183
4,535,391	8/1985	Hsiao	362/183
4,598,340	7/1986	Dwosh et al.	362/98

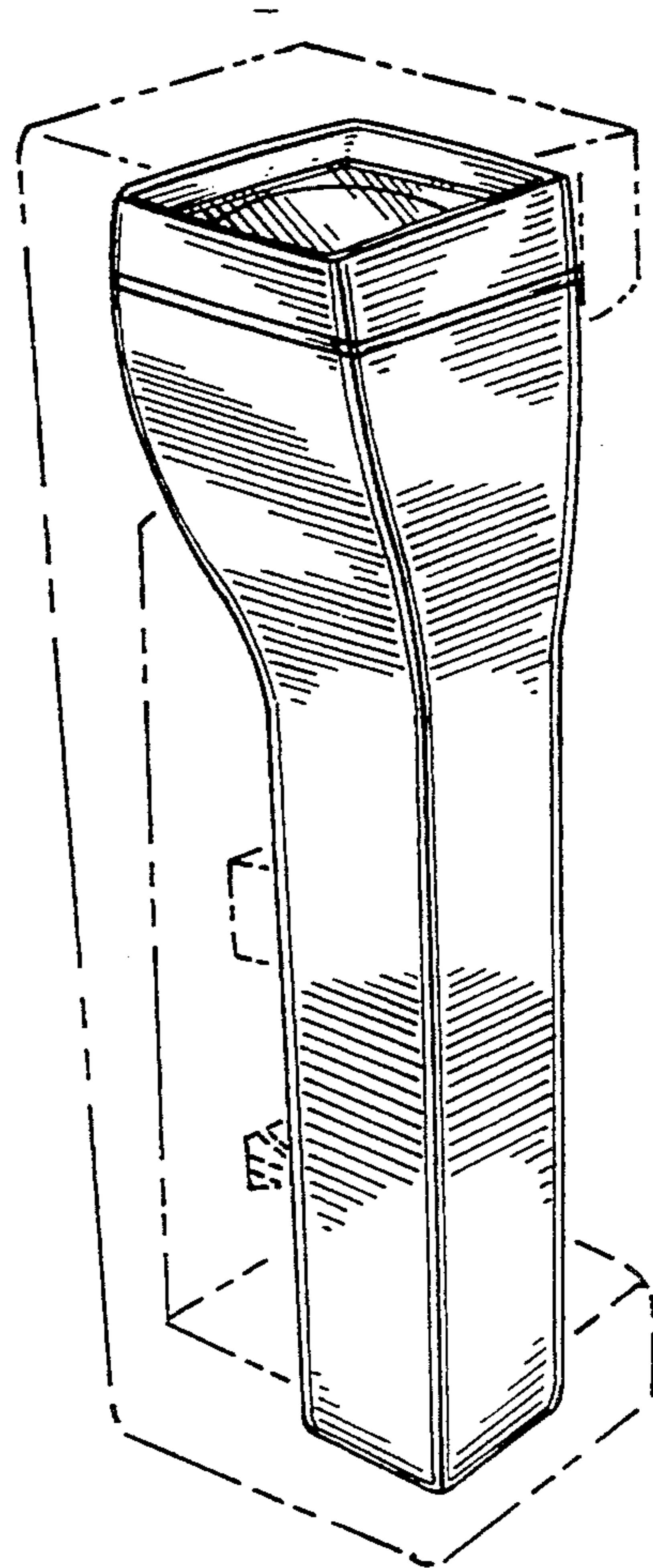
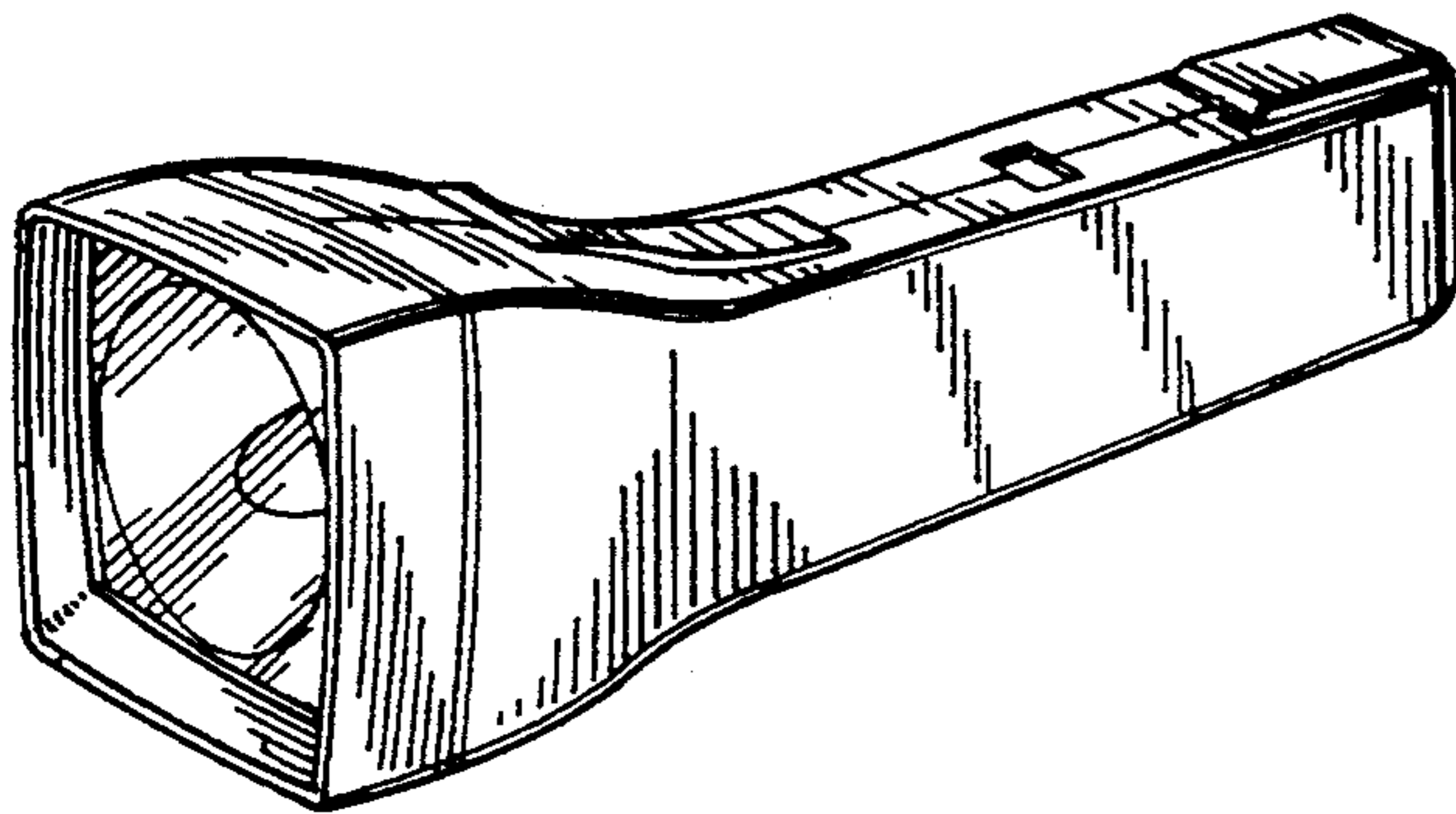


Fig. 1

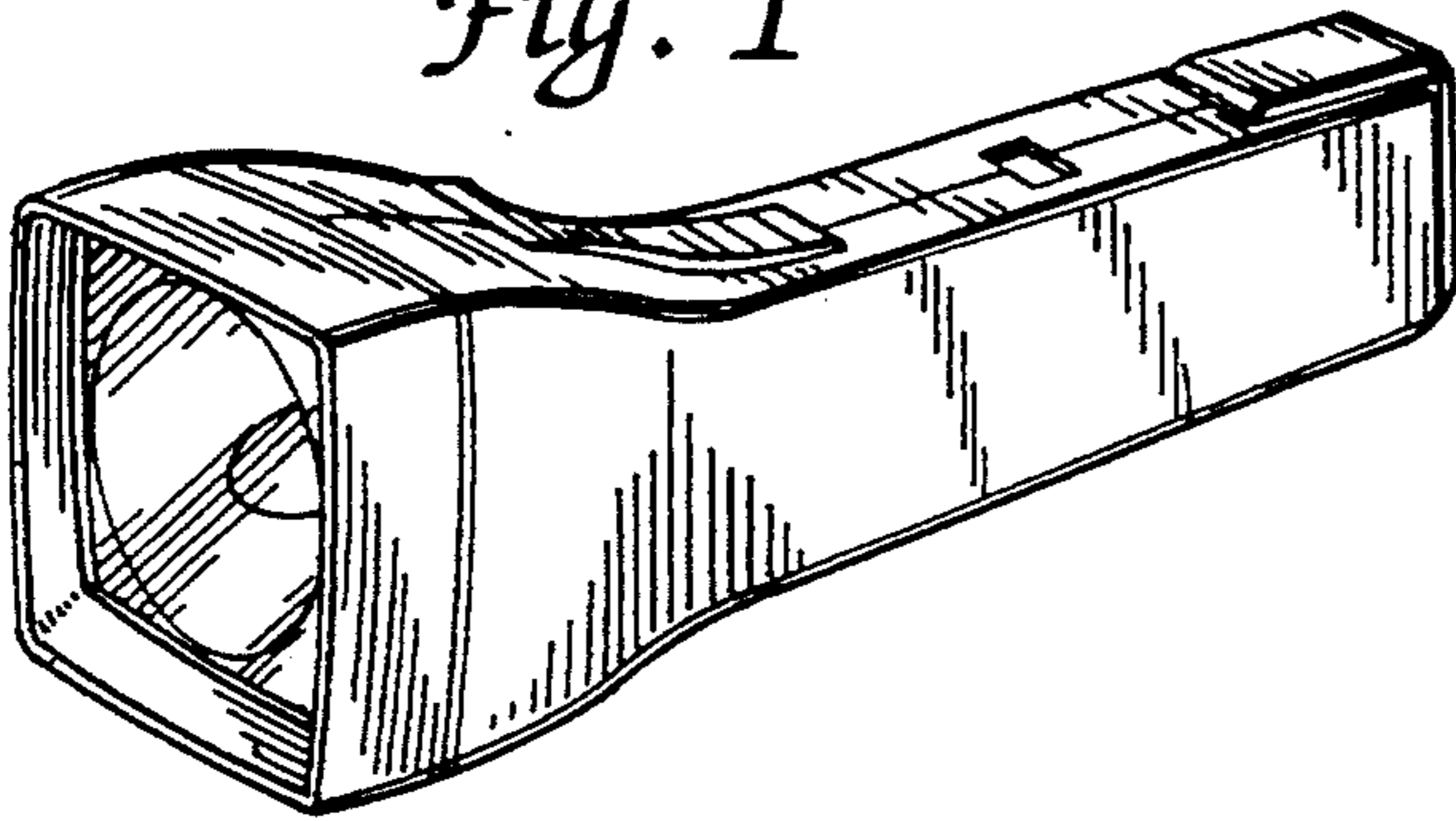


Fig. 2

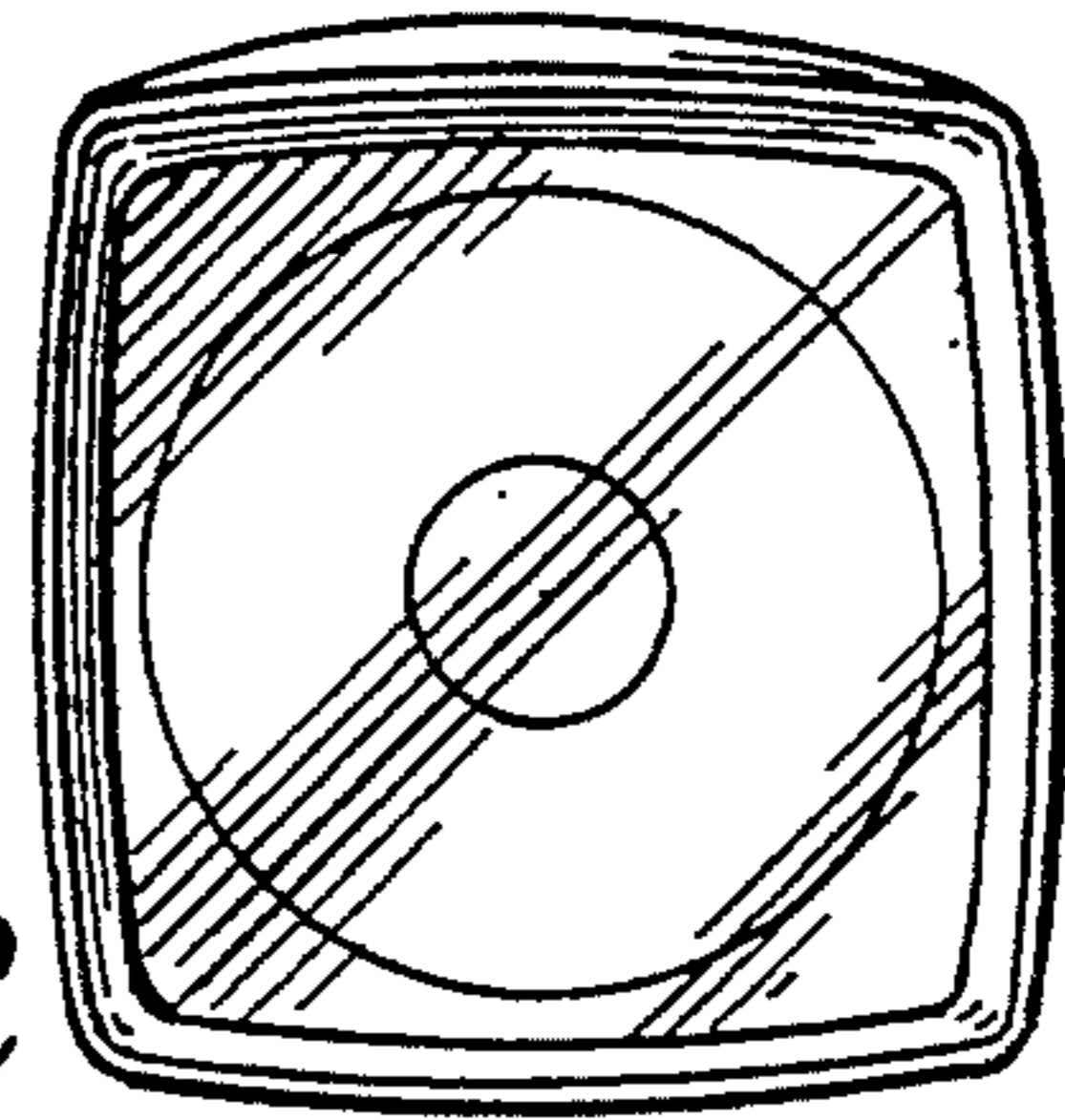


Fig. 3

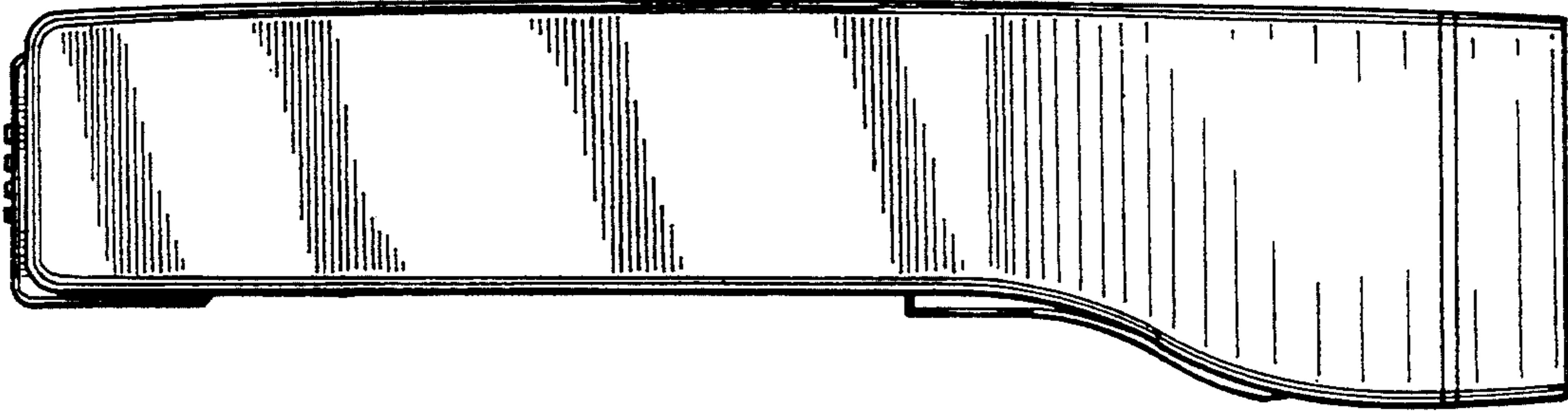


Fig. 4

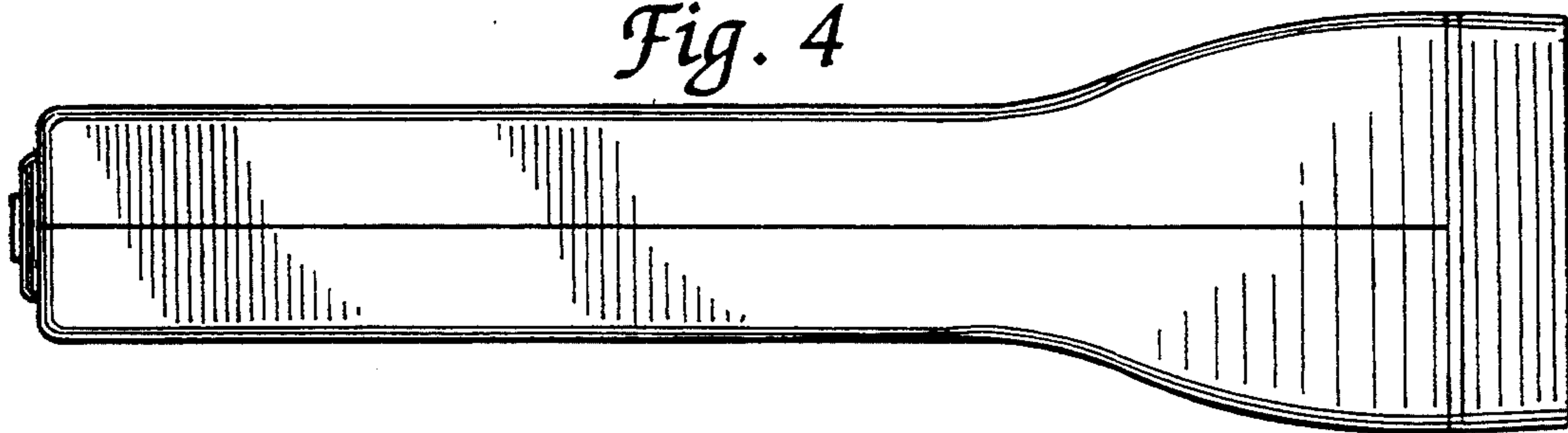


Fig. 5

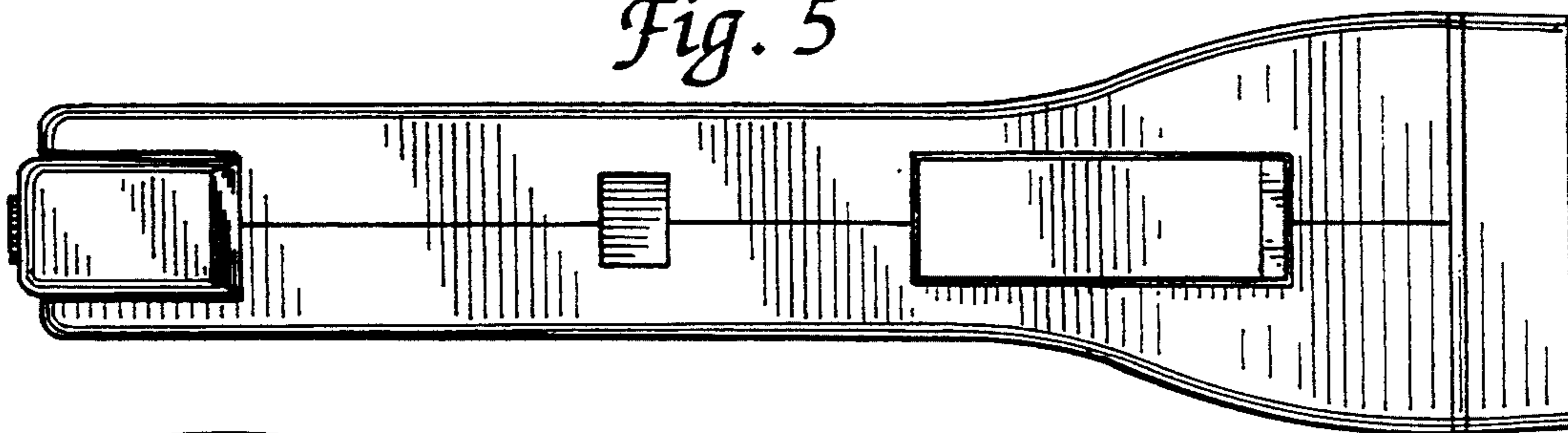


Fig. 6

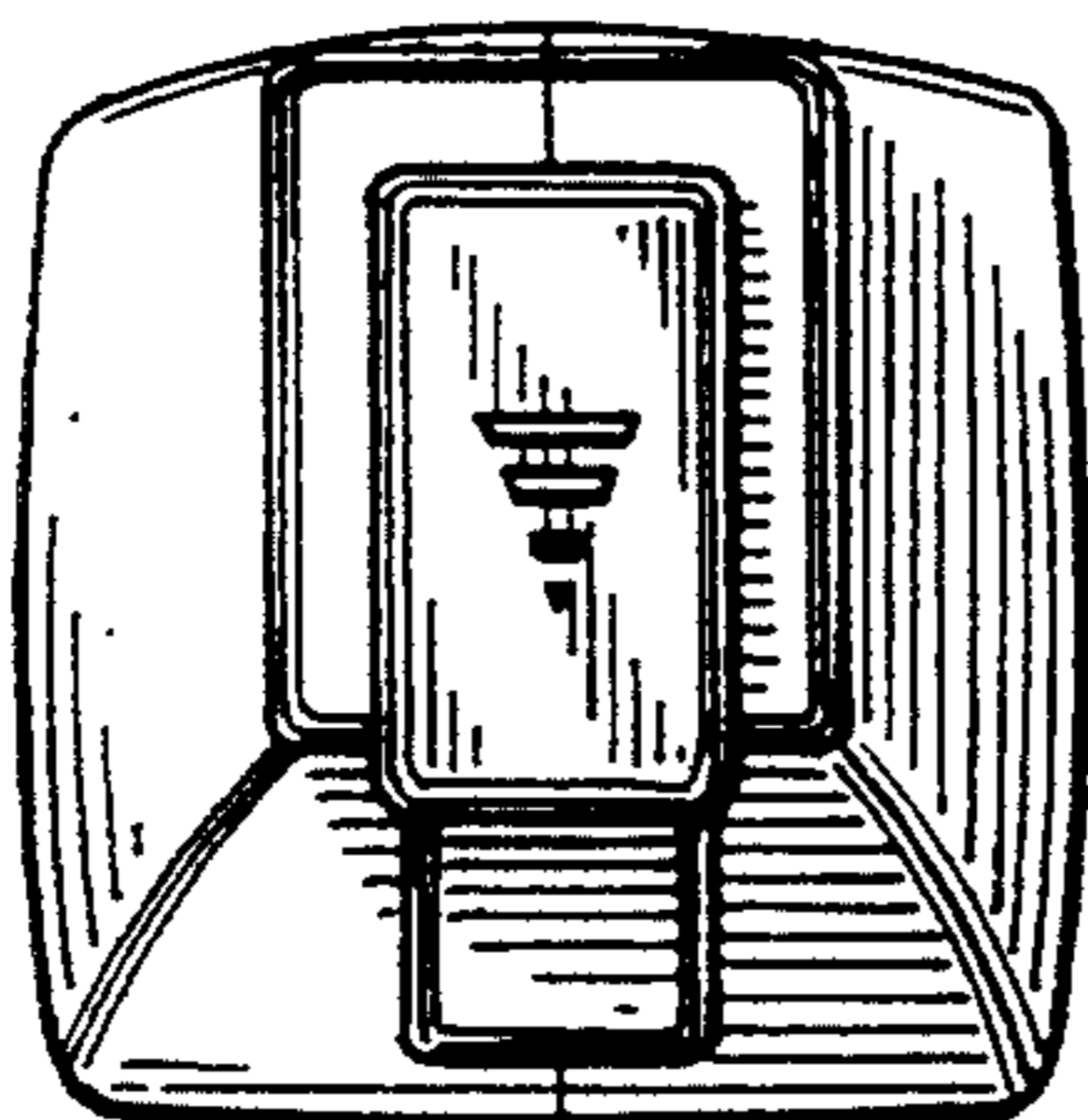
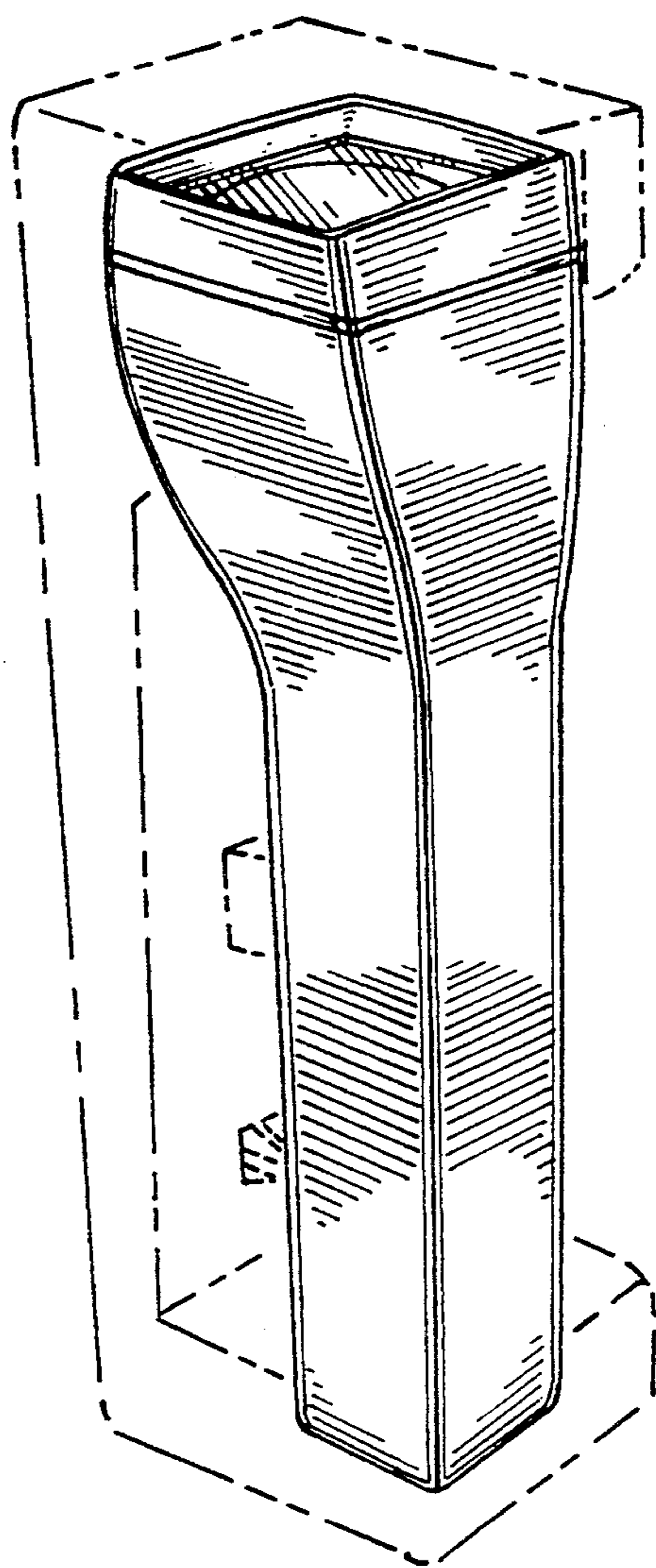


Fig. 7



UNITED STATES PATENT AND TRADEMARK OFFICE
CERTIFICATE OF CORRECTION

Page 1 of 4

PATENT NO. : Des. 362,319
DATED : September 12, 1995
INVENTOR(S) : David Bamber

It is certified that error appears in the above-identified patent and that said Letters Patent is hereby corrected as shown below:

The Title page should be deleted and substitute therefor the attached title page.

Drawings:

Delete Drawing sheets 1-7, and substitute therefor the Drawing sheets, consisting of Figs. 1-7, as shown on the attached pages.

Signed and Sealed this
Fifth Day of March, 1996



BRUCE LEHMAN

Commissioner of Patents and Trademarks

Attest:

Attesting Officer

United States Patent [19]
Bamber

[11] **Patent Number: Des. 362,319**
 [45] **Date of Patent: ** Sep. 12, 1995**

[54] **FLASHLIGHT**

[75] **Inventor: David Bamber, Wichita, Kans.**

[73] **Assignee: The Coleman Company, Inc.,
 Wichita, Kans.**

[**] **Term: 14 Years**

[21] **Appl. No.: 23,095**

[22] **Filed: May 18, 1994**

[52] **U.S. Cl. D26/46**

[58] **Field of Search D26/37-50;
 362/157-158, 171-172, 178, 181, 183, 192, 194,
 196-197, 200-206**

[56] **References Cited**

U.S. PATENT DOCUMENTS

D. 296,827	7/1988	Yuen	D26/44
D. 328,144	7/1992	Yuen	D26/44
D. 328,145	7/1992	Yuen	D26/46
4,224,658	9/1980	Siiberg	362/183
4,535,391	8/1985	Hsiao	362/183
4,598,340	7/1986	Dwosh et al.	362/98

5,077,643 12/1991 Leach 362/183

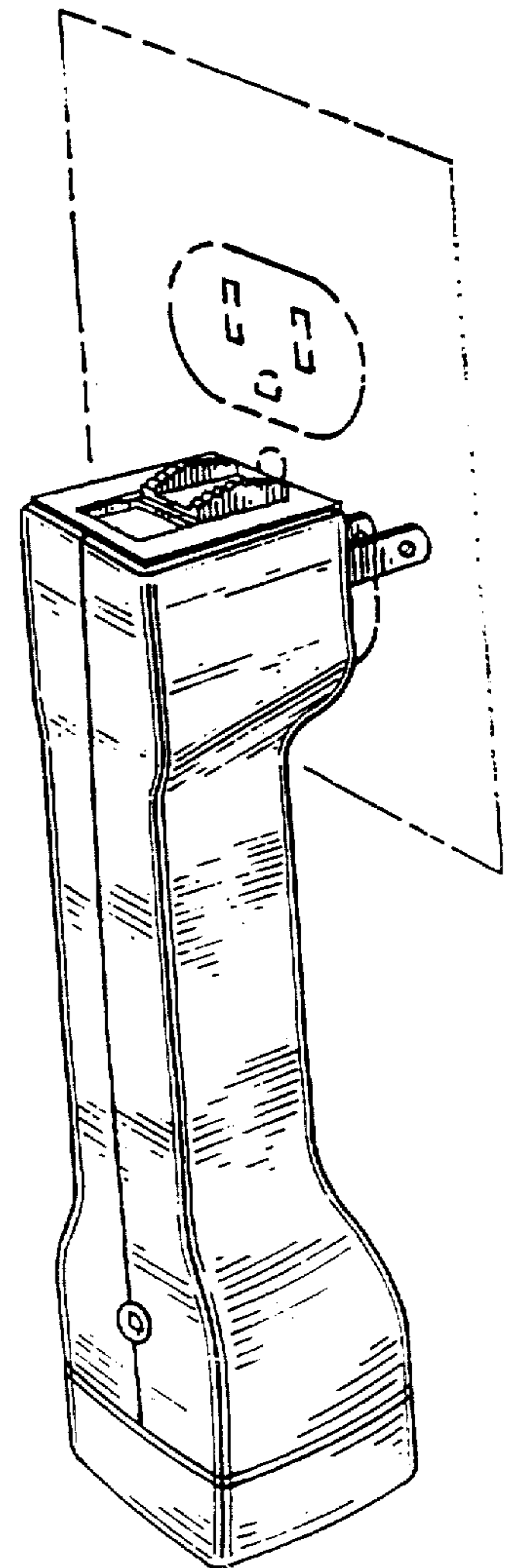
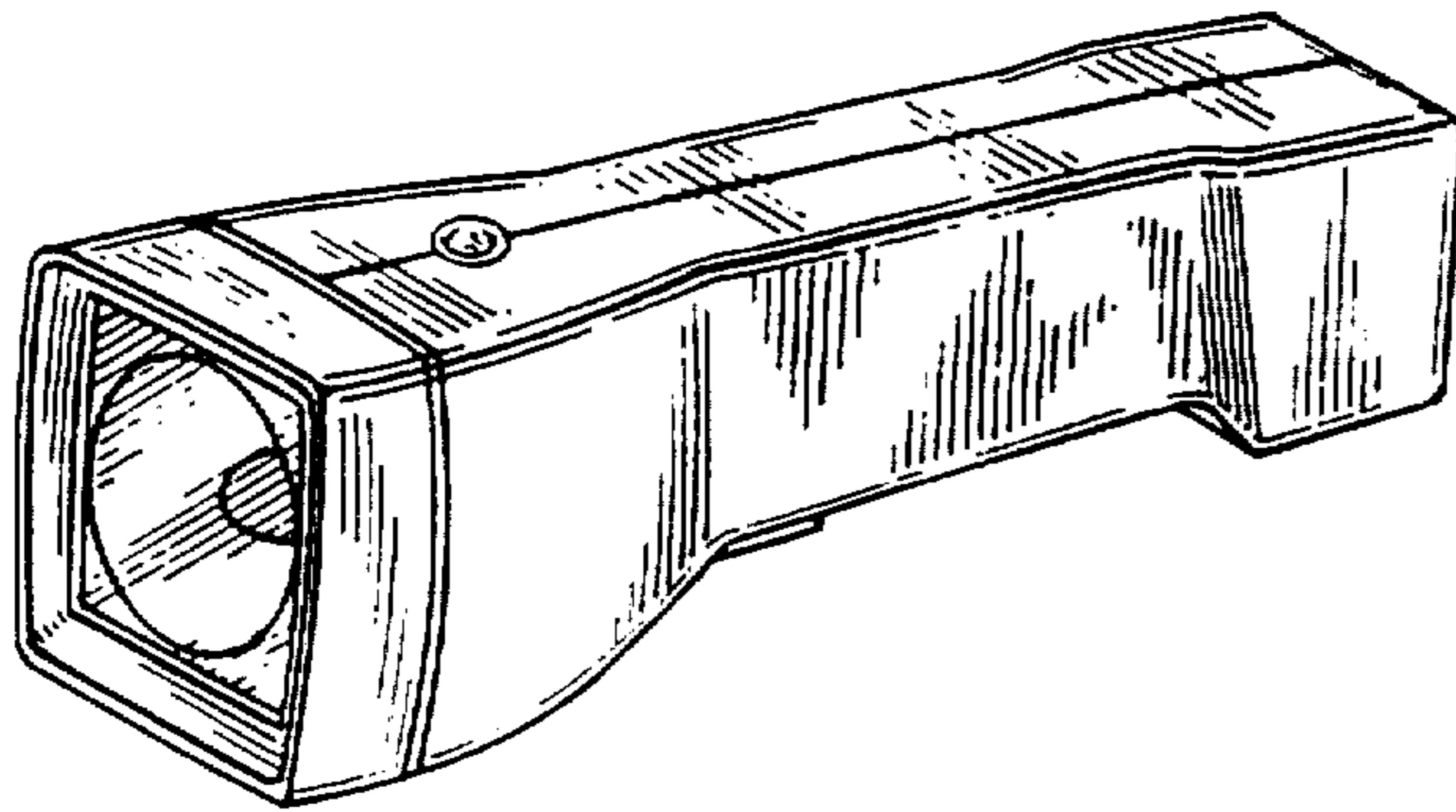
Primary Examiner—Brian N. Vinson
Assistant Examiner—Robin V. Taylor
Attorney, Agent, or Firm—Tilton, Fallon, Lungmus & Chestnut

[57] **CLAIM**

The ornamental design for a flashlight, as shown and described.

DESCRIPTION

FIG. 1 is a top, front and right perspective view of a flashlight showing my new design;
 FIG. 2 is an enlarged front view thereof;
 FIG. 3 is an enlarged side view thereof, the other side being a mirror image;
 FIG. 4 is an enlarged bottom view thereof;
 FIG. 5 is an enlarged top plan view thereof;
 FIG. 6 is an enlarged rear view thereof; and,
 FIG. 7 is a top, right perspective view thereof, shown in use with the outlet being shown in broken lines for illustrative purposes only forming no part of the claimed design.



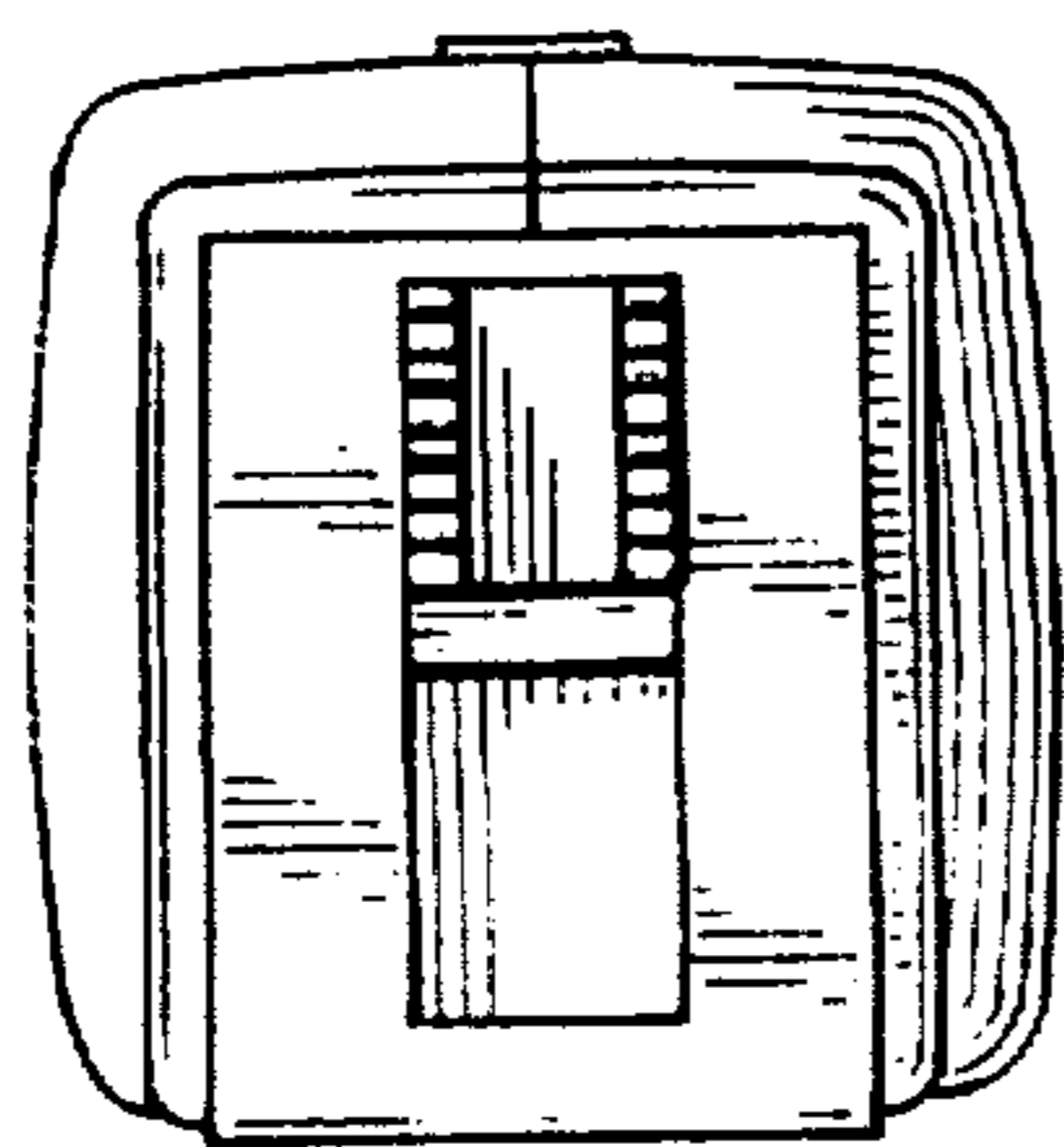
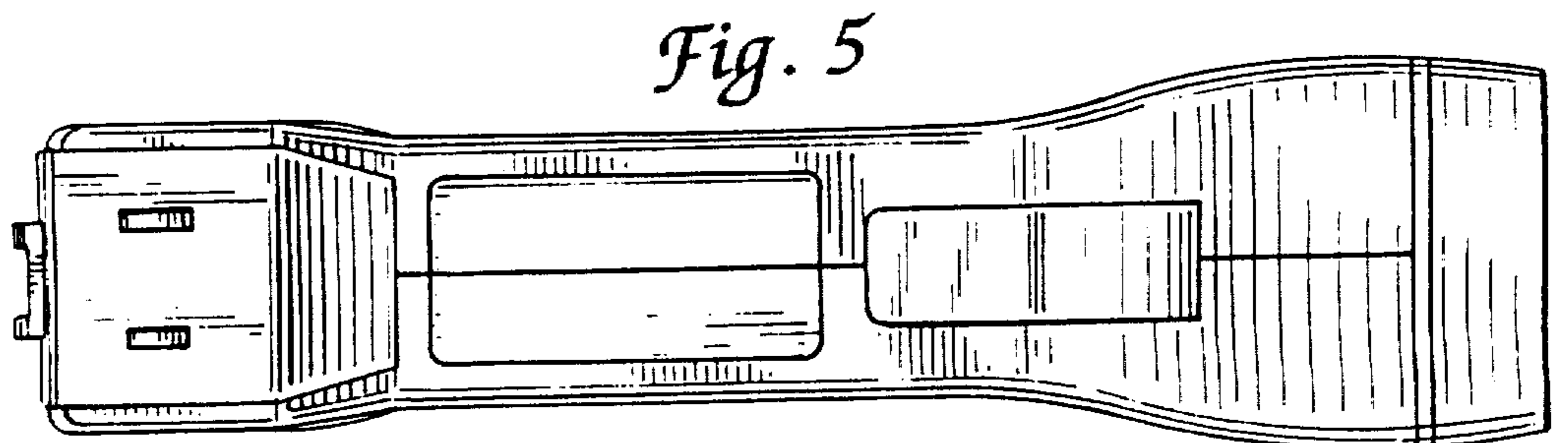
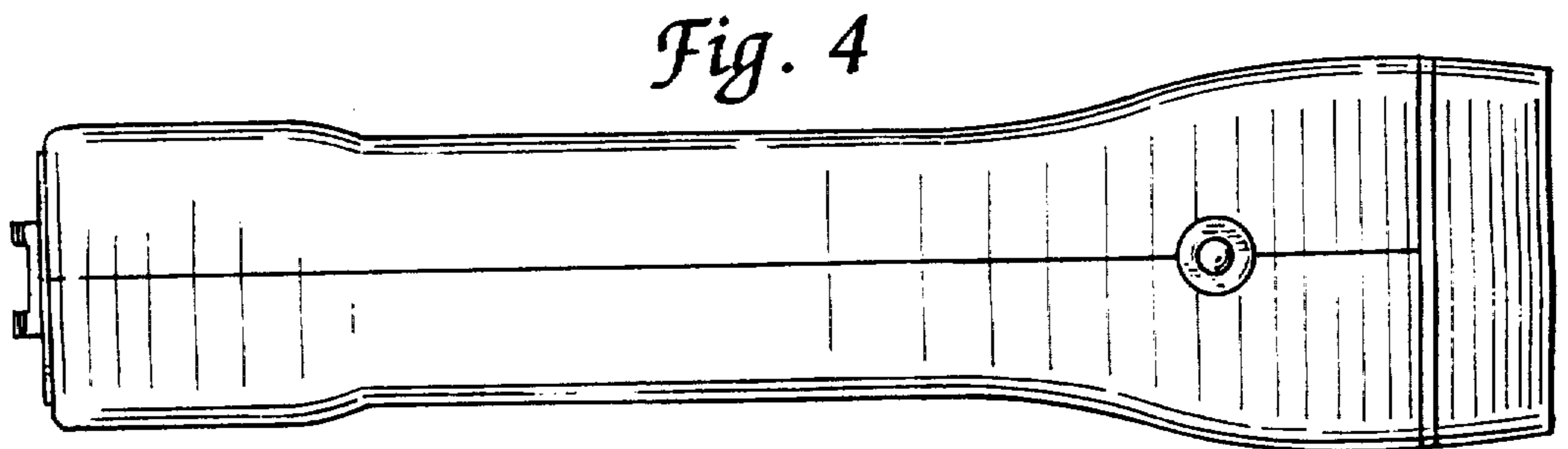
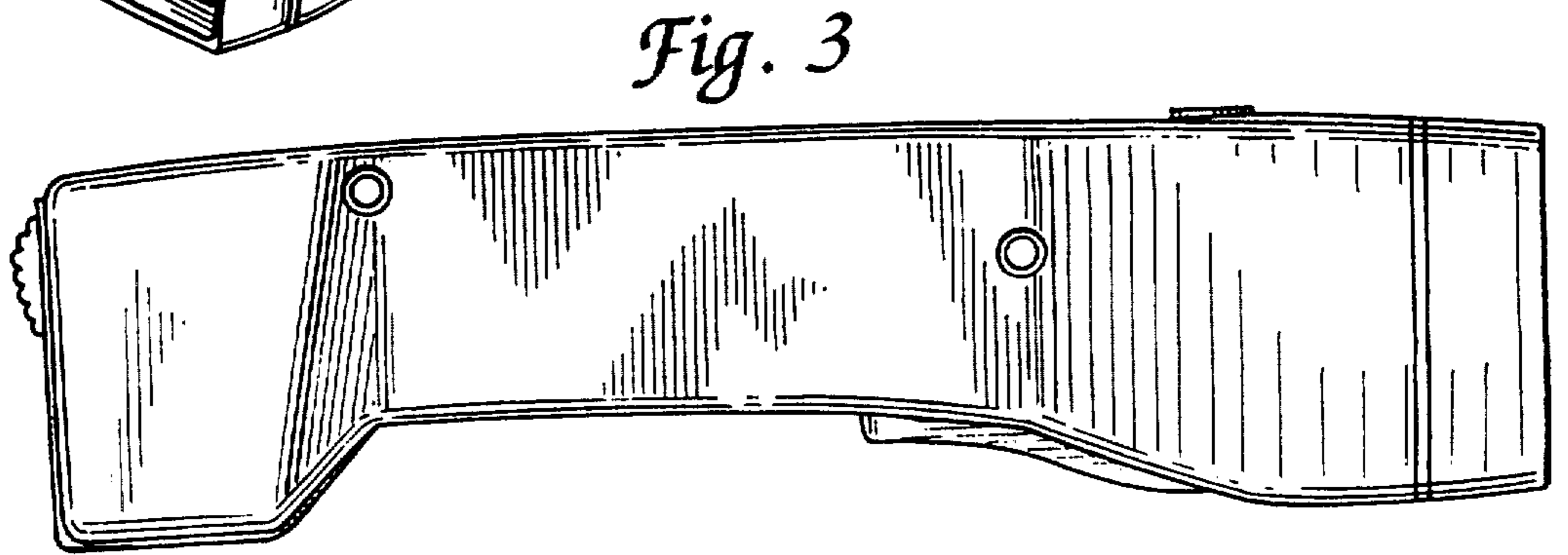
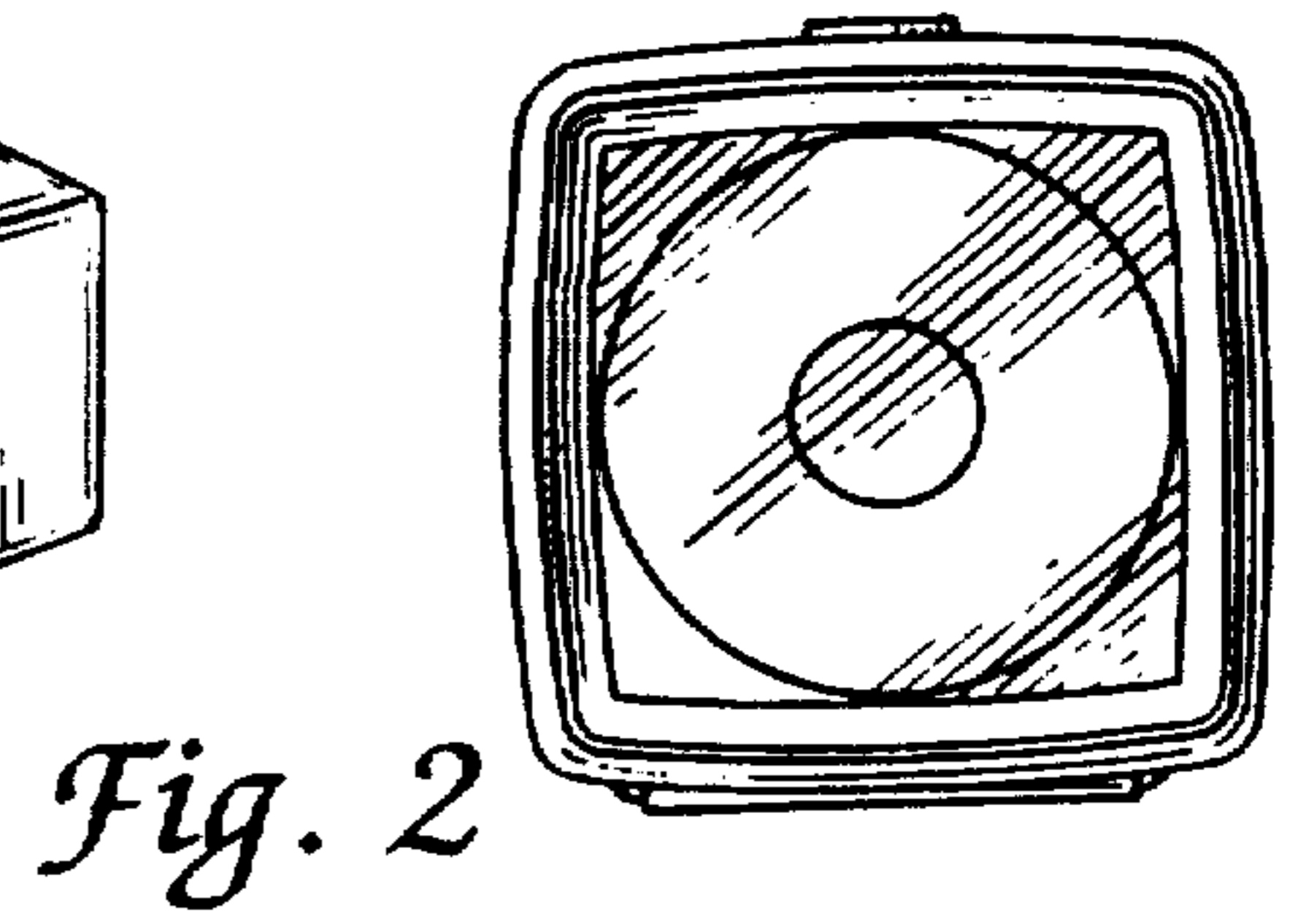
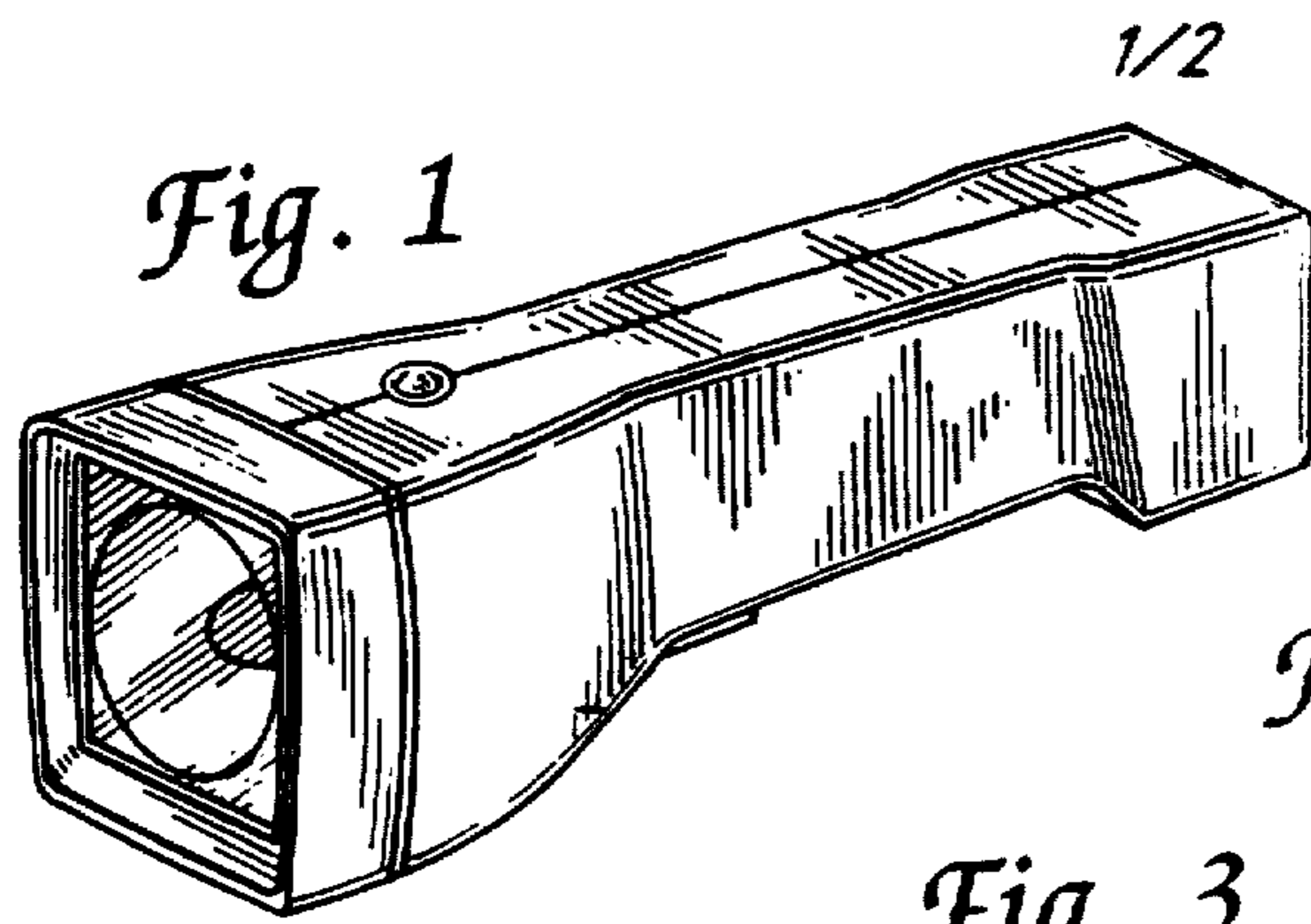


Fig. 6

Fig. 7

