



US00D362316S

# United States Patent [19]

[11] Patent Number: **Des. 362,316**

von Kluck

[45] Date of Patent: **\*\* Sep. 12, 1995**

[54] **TABLE LAMP**

[75] Inventor: **Kevin von Kluck**, Hudson, Ohio

[73] Assignee: **The L.D. Kichler Co.**, Cleveland, Ohio

[\*\*] Term: **14 Years**

[21] Appl. No.: **26,437**

[22] Filed: **Jul. 28, 1994**

[52] U.S. Cl. .... **D26/106**

[58] Field of Search ..... **D26/93, 102-112; 362/410, 411, 412, 414**

Shelburne Collection Lamp Catalog, p. 5, Table Lamp #5-350-MM.

*Primary Examiner*—Susan J. Lucas  
*Attorney, Agent, or Firm*—Watts, Hoffmann, Fisher & Heinke

[57] **CLAIM**

The ornamental design for a table lamp, as shown and described.

**DESCRIPTION**

FIG. 1 is a perspective view of the table lamp showing my new design;  
FIG. 2 is a front elevational view of the table lamp, the rear elevational view being identical;  
FIG. 3 is a right side elevational view of the table lamp, the left side elevational view being identical;  
FIG. 4 is a top plan view of the table lamp; and,  
FIG. 5 is a bottom plan view of the table lamp.  
The lamp shade is shown in broken lines for illustrative purposes only and forms no part of the claimed design.

[56]

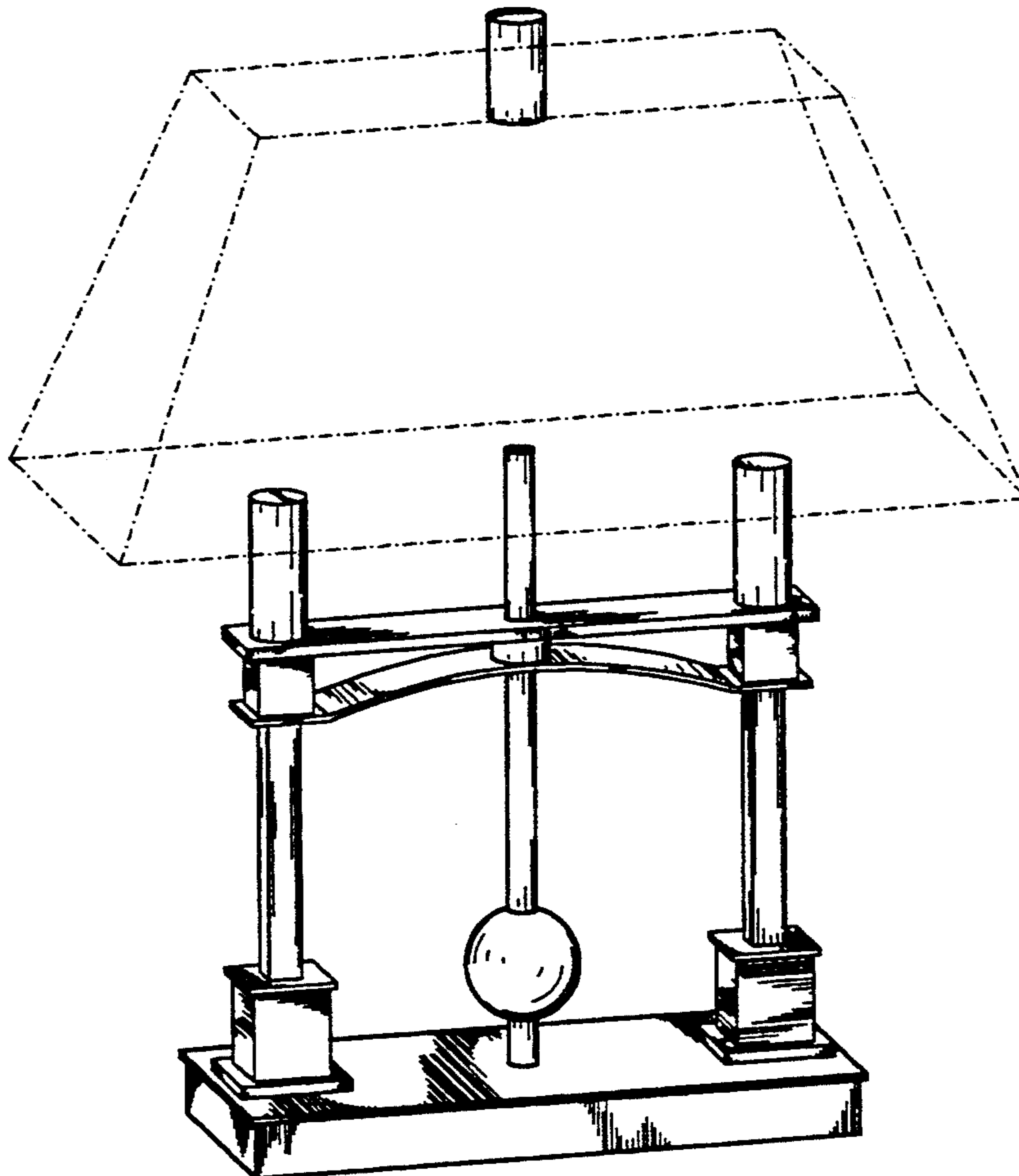
**References Cited**

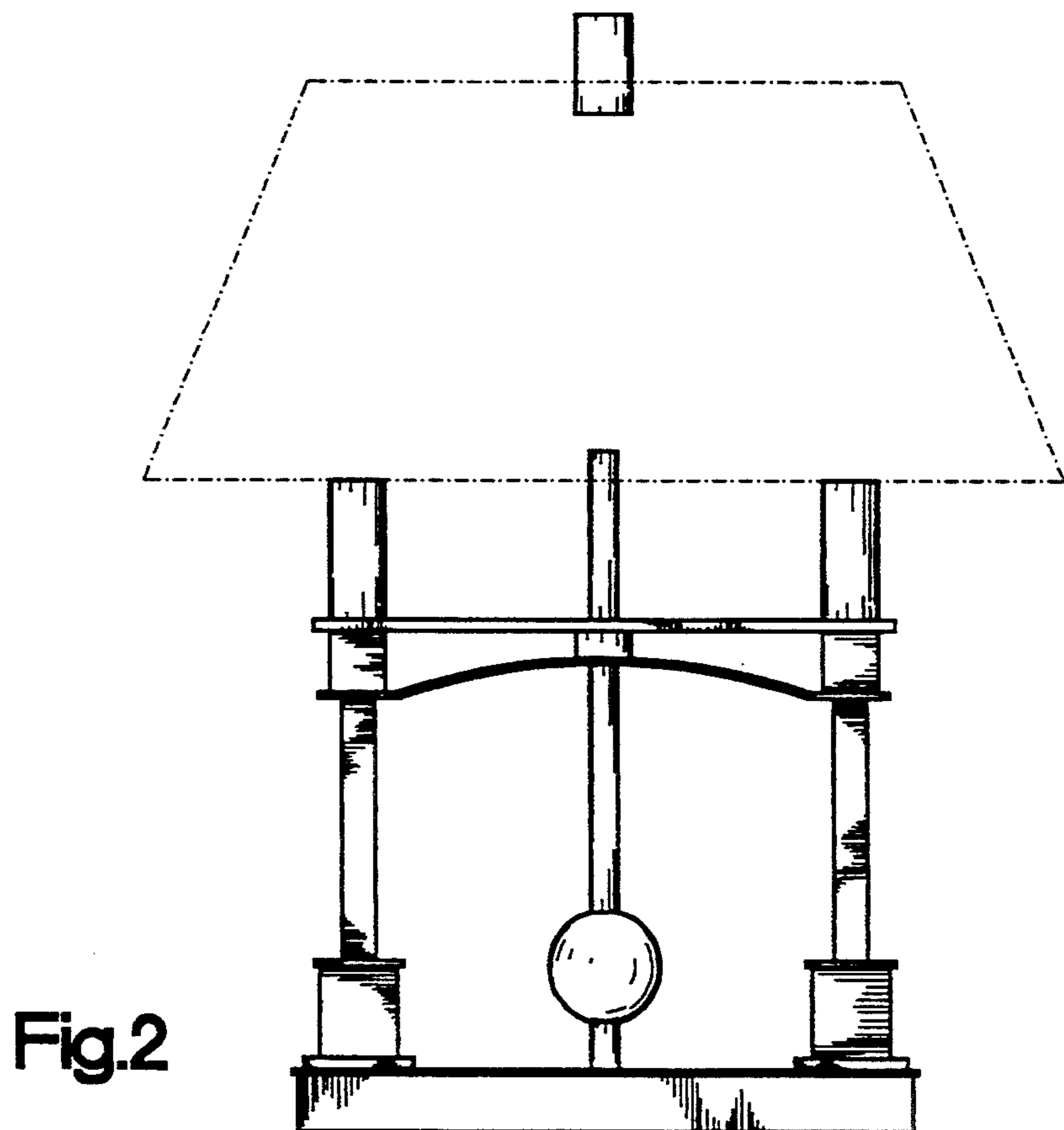
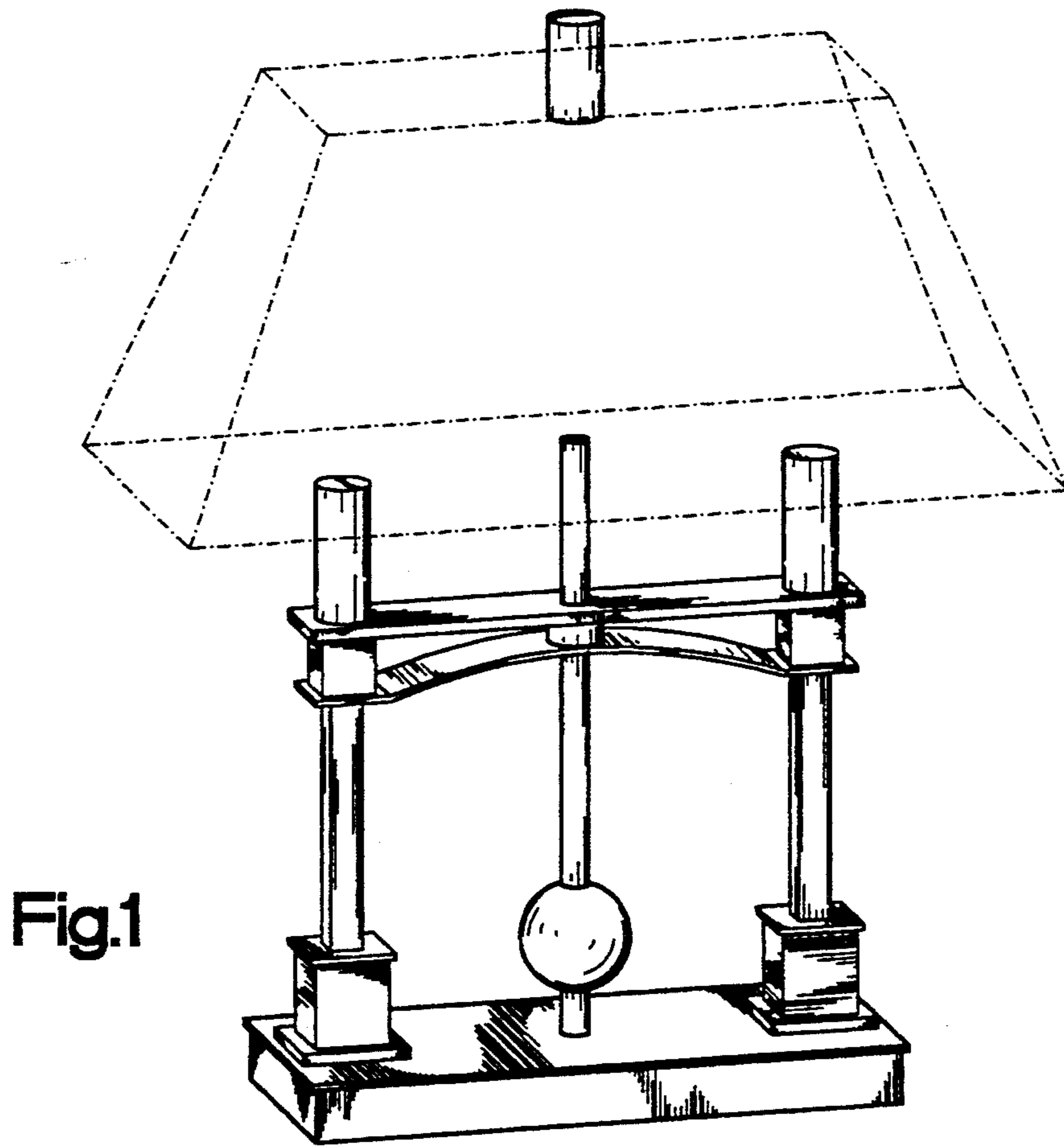
**U.S. PATENT DOCUMENTS**

D. 338,981 8/1993 Meck et al. .... D26/109

**OTHER PUBLICATIONS**

Home Lighting & Accessories, Mar. 1991, p. 44, George Kovacs Table Lamp (top right).





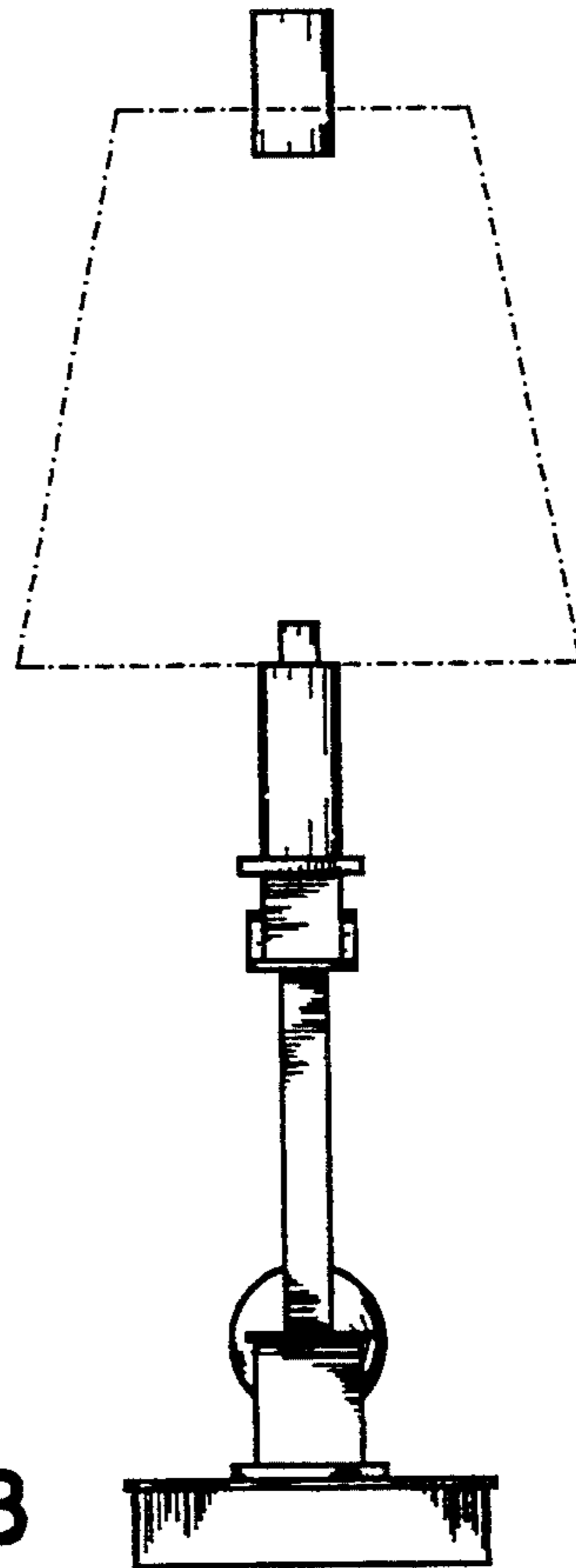


Fig.3

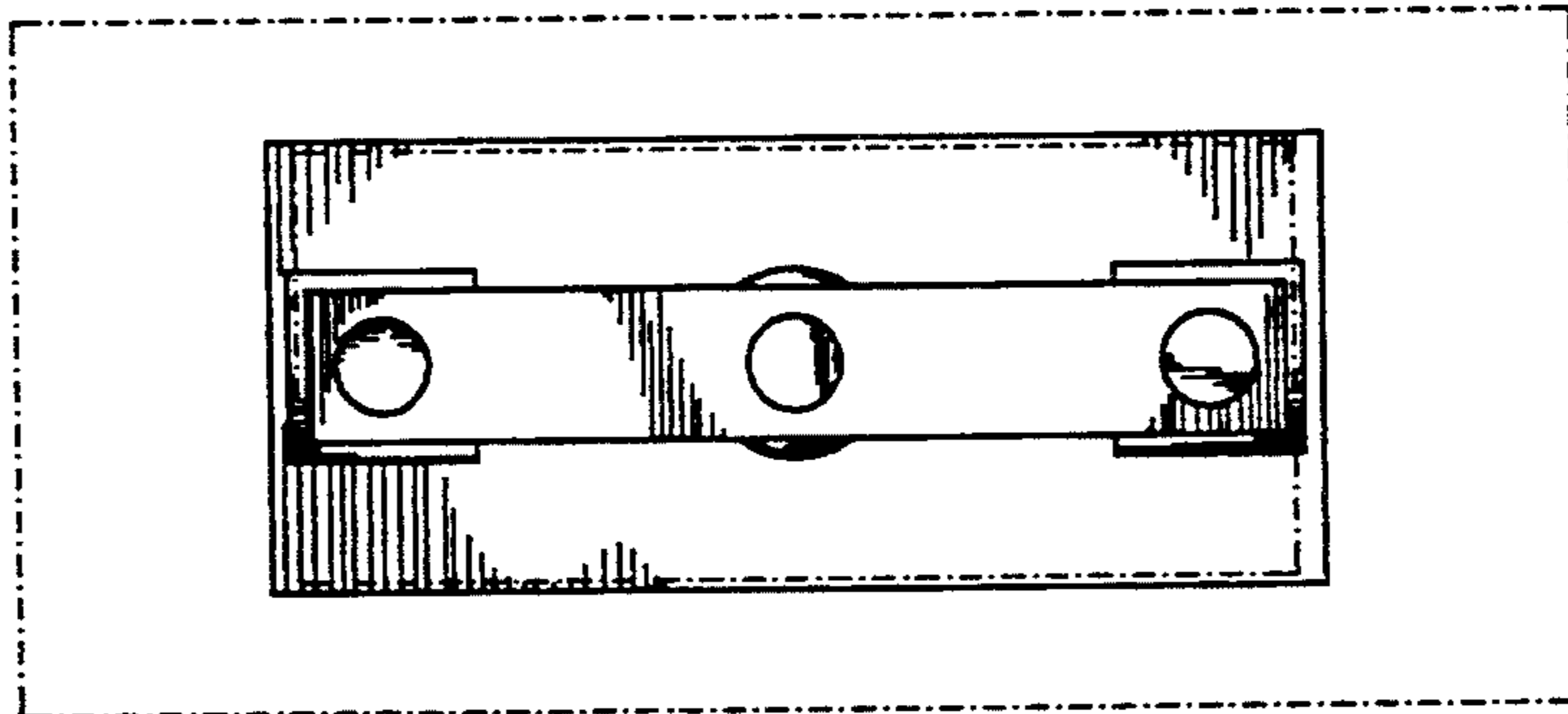


Fig.4

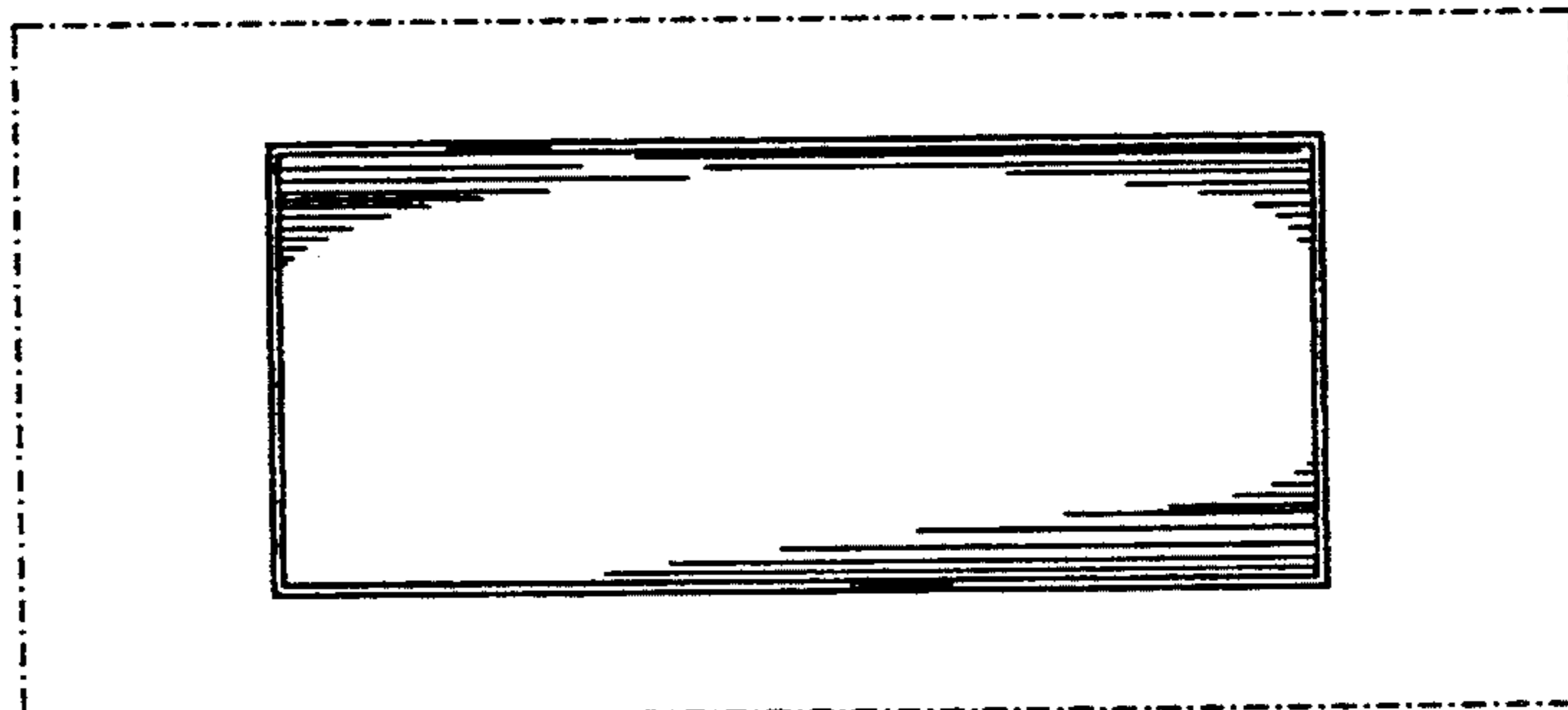


Fig.5