



US00D362315S

United States Patent [19]

[11] Patent Number: **Des. 362,315**

Herst et al.

[45] Date of Patent: **** Sep. 12, 1995**

[54] **DIRECT INDIRECT FLUORESCENT LIGHTING FIXTURE**

OTHER PUBLICATIONS

Promotional brochure, Peerless Lighting Corporation, 10" x 3 5/8" Rounded Systems. ©1986.

[76] Inventors: **Douglas J. Herst**, 11 Upper Ames, Ross, Calif. 94957; **Utkan Salman**, 4053 Harlan St., #112, Emeryville, Calif. 94608; **Peter Y. Y. Ngai**, 84 St. Andrews La., Alamo, Calif. 94507

Primary Examiner—Susan J. Lucas
Attorney, Agent, or Firm—Donald L. Beeson

[57] CLAIM

The ornamental design for a direct indirect fluorescent lighting fixture, as shown and described.

[**] Term: **14 Years**

DESCRIPTION

[21] Appl. No.: **11,325**

FIG. 1 is a bottom perspective view of a direct indirect fluorescent lighting fixture showing our new design; FIG. 2 is a fragmentary top plan view thereof; FIG. 3 is a fragmentary front elevational view thereof, the rear being a mirror image thereof; FIG. 4 is a fragmentary bottom plan view thereof; FIG. 5 is a right side elevational view thereof on an enlarged scale, the left side being a mirror image thereof; FIG. 6 is a bottom perspective view of a second embodiment of our new design; FIG. 7 is a fragmentary top plan view thereof; FIG. 8 is a fragmentary front elevational view thereof, the rear being a mirror image thereof; FIG. 9 is a fragmentary bottom plan view thereof; and, FIG. 10 is a right side elevational view thereof on an enlarged scale, the left side being a mirror image thereof. FIGS. 1-4 and 6-9 are broken away to indicate indeterminate length.

[22] Filed: **Aug. 2, 1993**

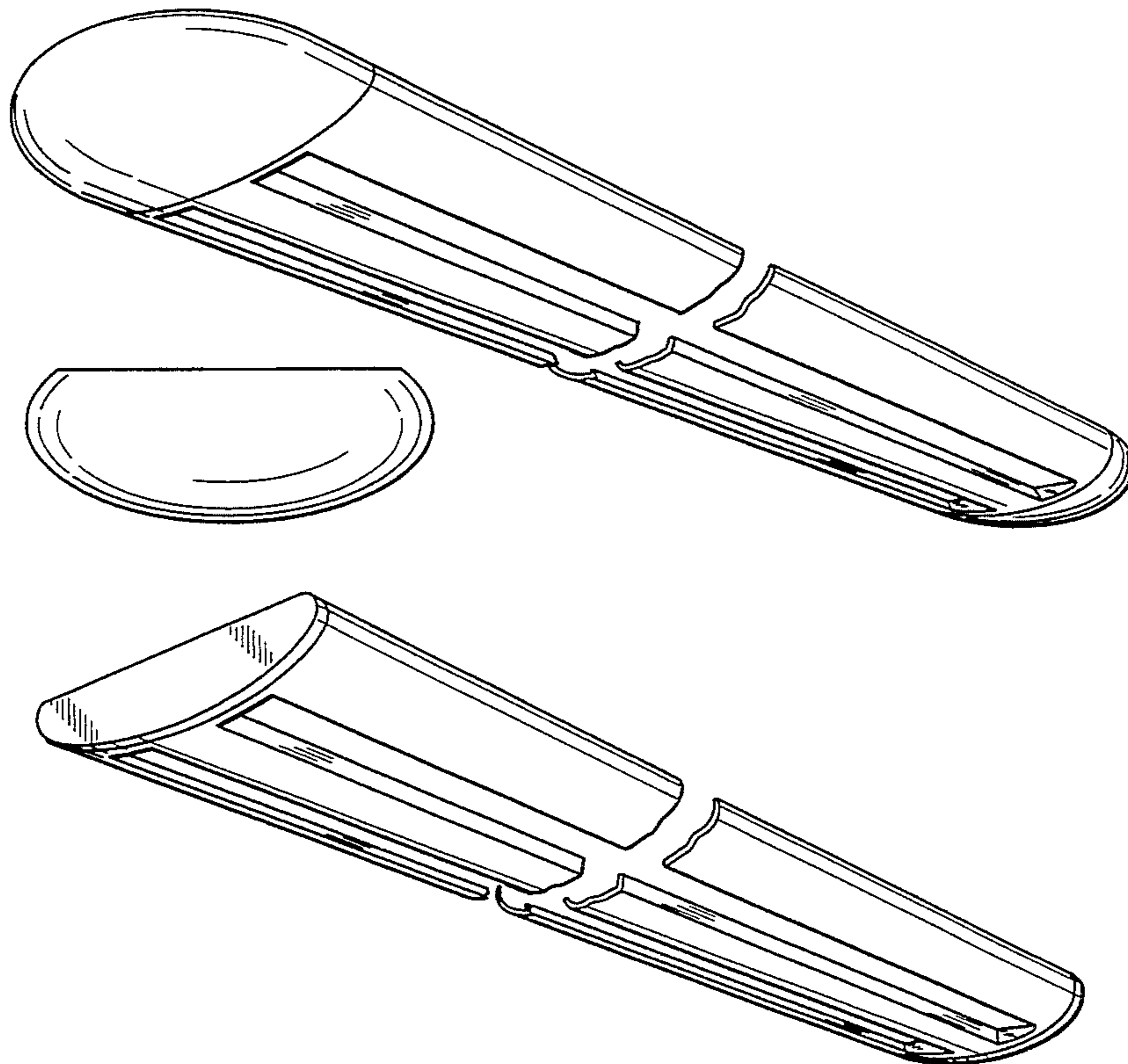
[52] U.S. Cl. **D26/76**

[58] Field of Search **D26/72, 75-92;**
362/147, 404, 220-225

[56] References Cited

U.S. PATENT DOCUMENTS

D. 126,846	4/1941	Alm	D26/76
D. 130,256	11/1941	Scribner	D26/76
D. 168,974	3/1953	Spaulding	D26/76
D. 318,929	8/1991	Herst et al.	D26/76
2,534,182	12/1950	Schwartz et al.	362/221
2,606,998	8/1952	Winkler et al.	362/220
2,864,939	12/1958	Bodian et al.	362/222



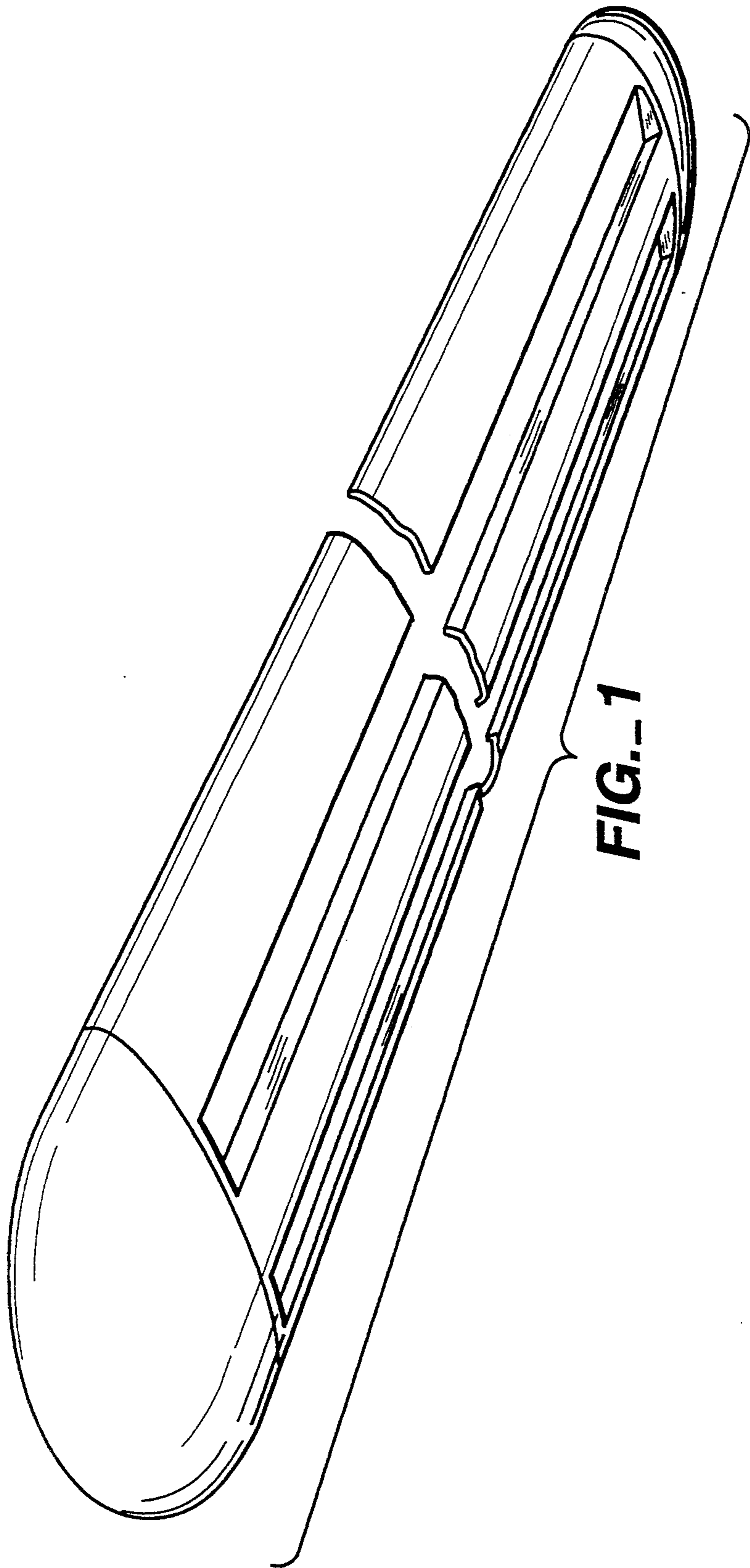


FIG.-1

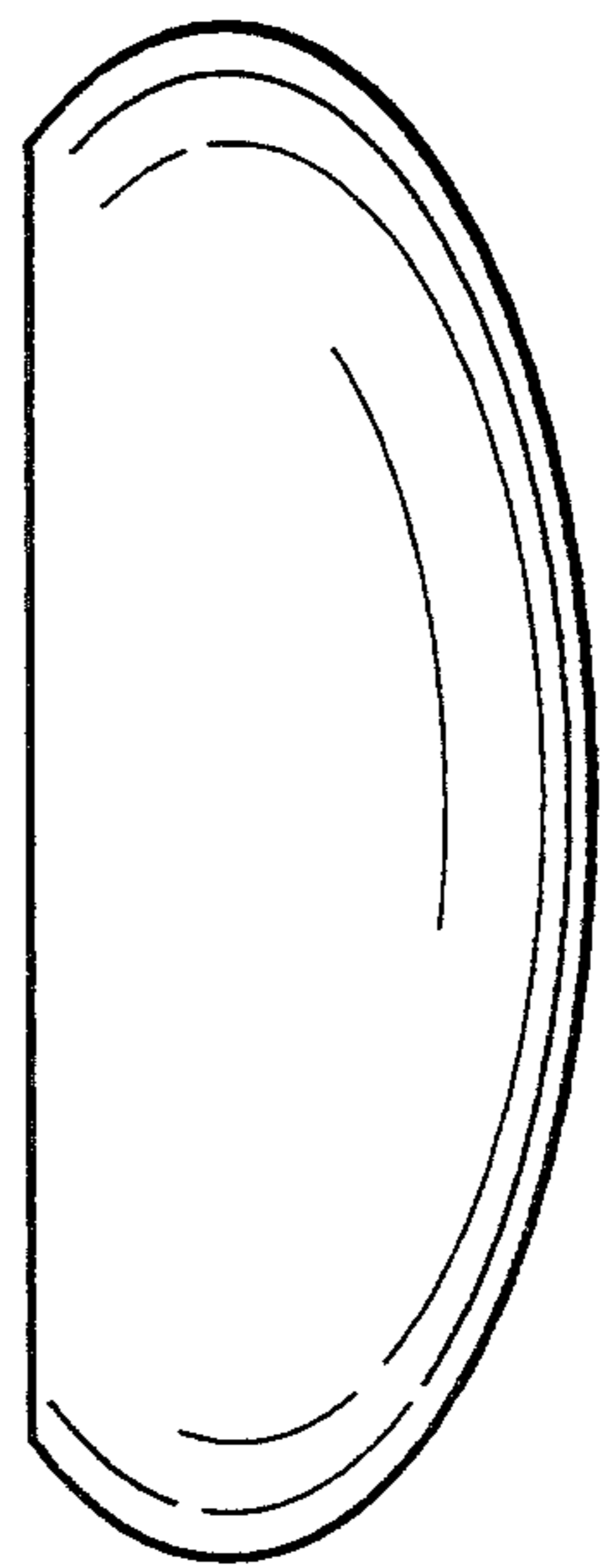


FIG.-5

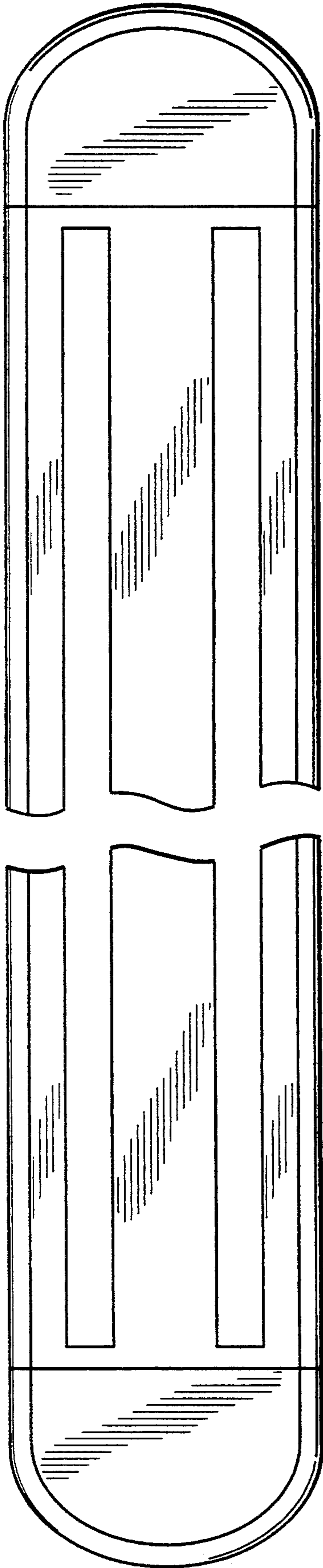


FIG. 2

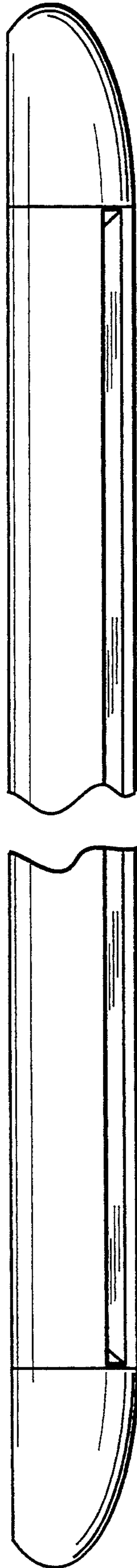


FIG. 3

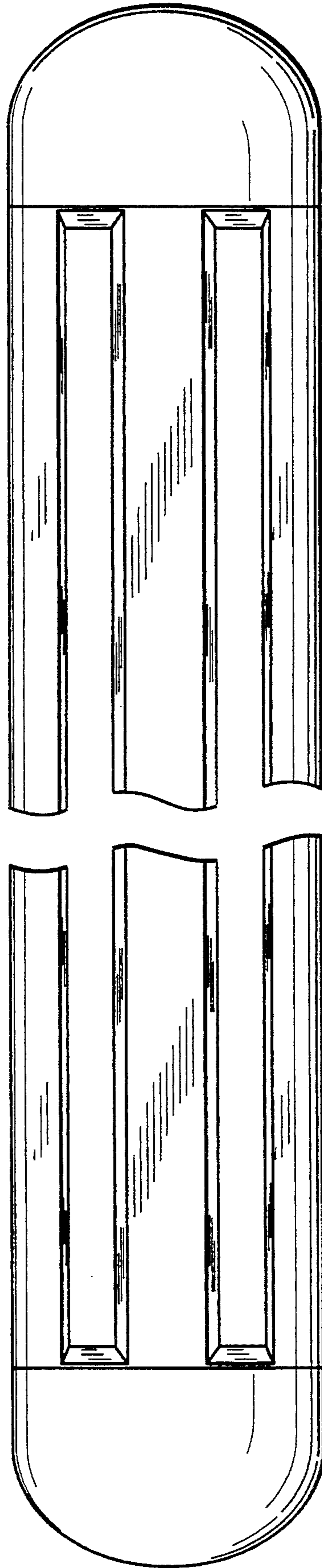


FIG. 4

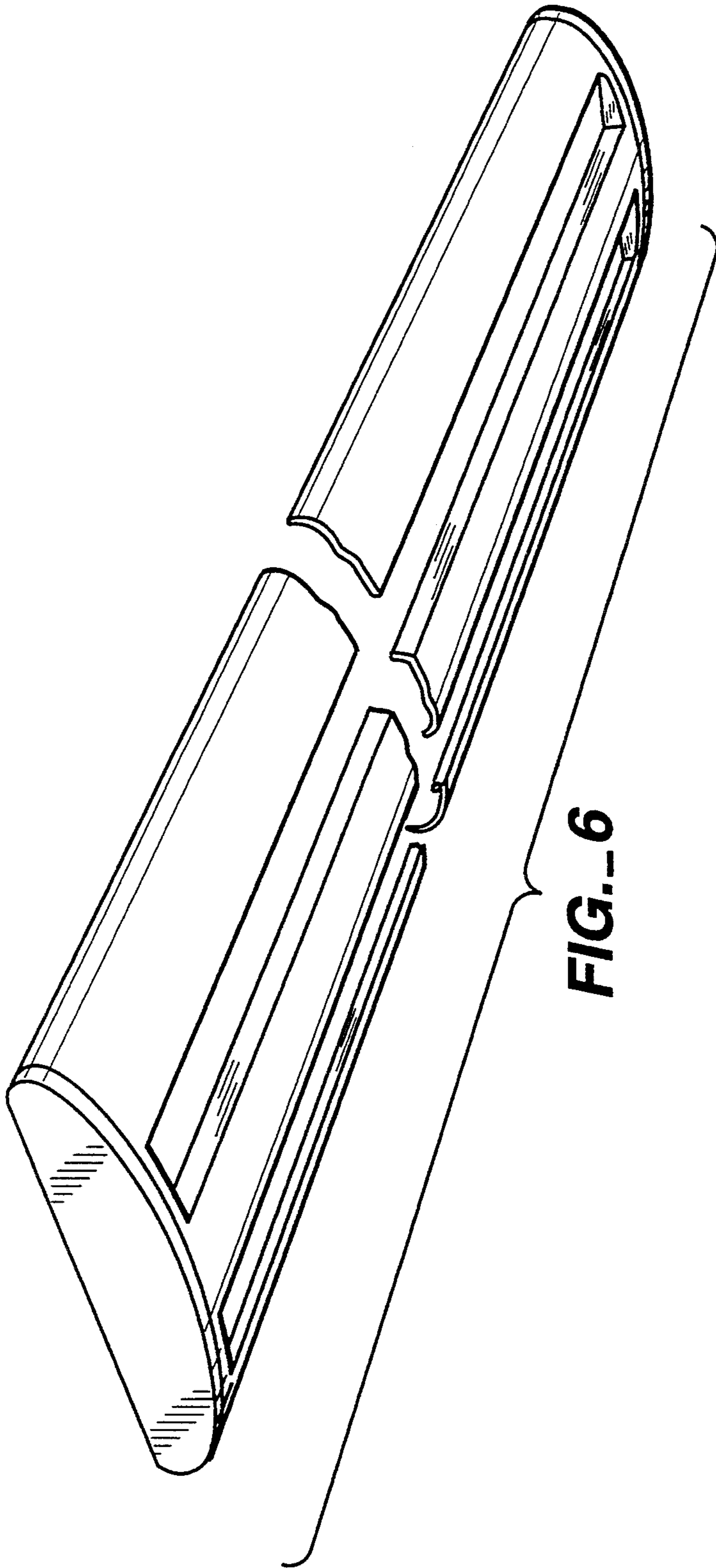


FIG. 6

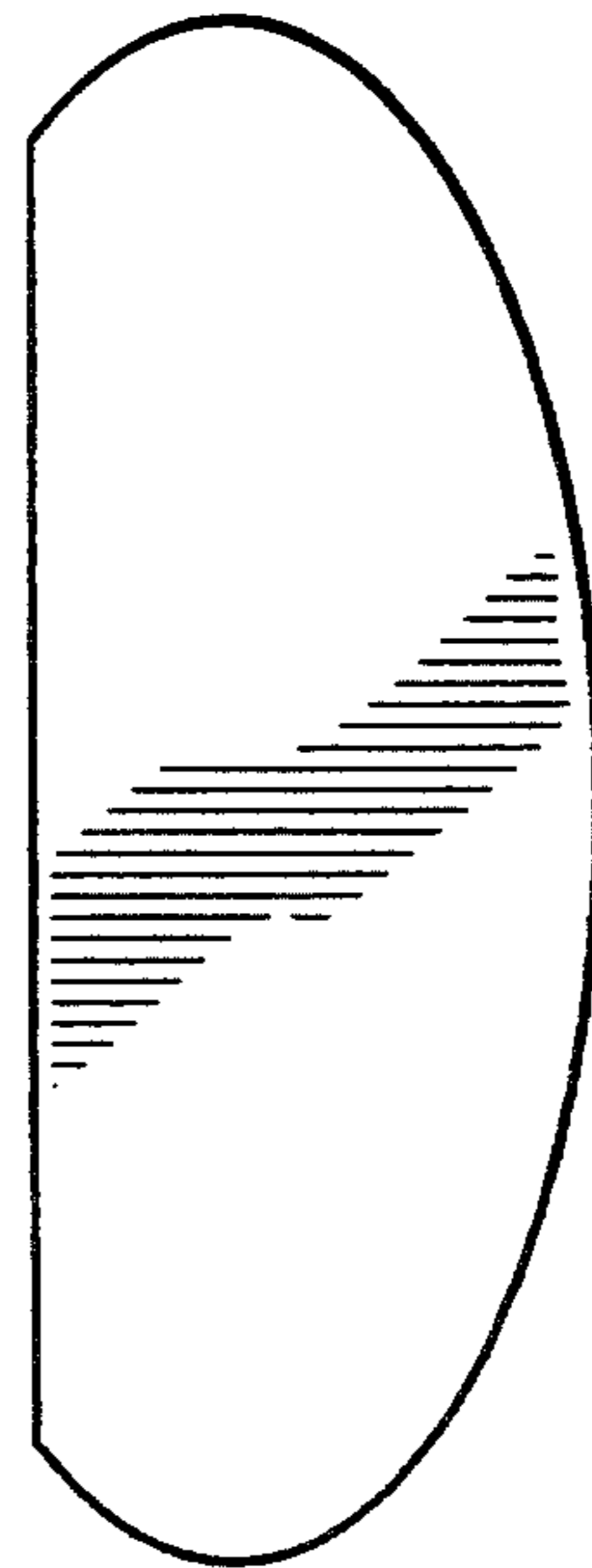


FIG. 10

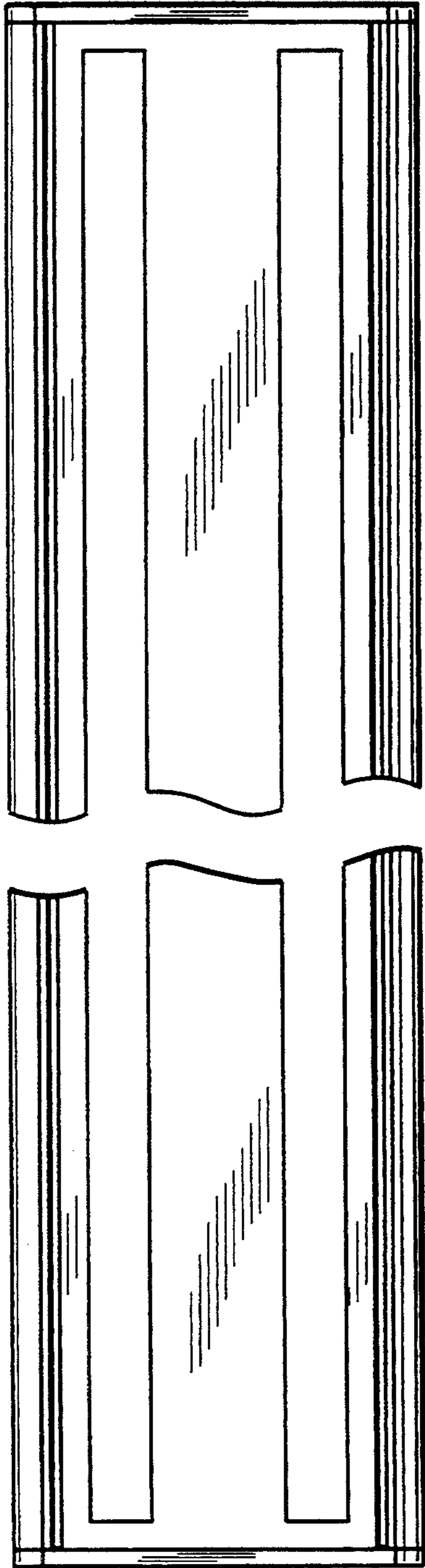


FIG. 7

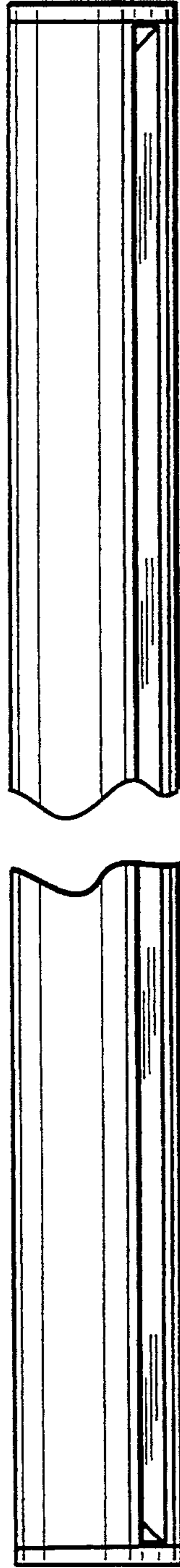


FIG. 8

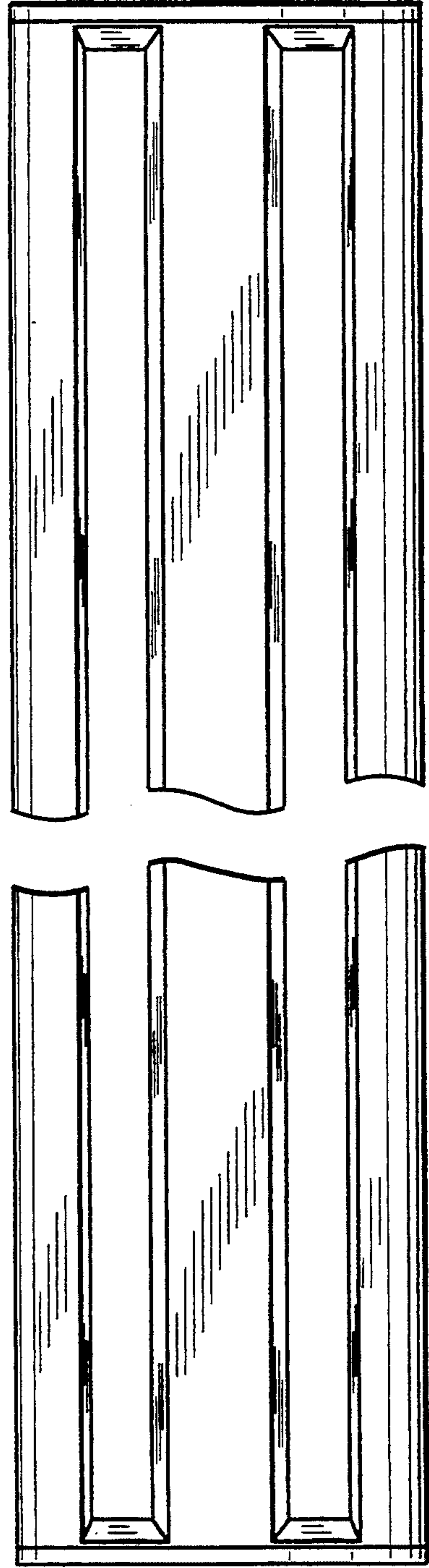


FIG. 9