



US00D362309S

United States Patent [19]

[11] Patent Number: **Des. 362,309**

VanDeusen

[45] Date of Patent: **** Sep. 12, 1995**

[54] **DORMER ROOF SHELTER**

[75] Inventor: **Gary VanDeusen, Hillsdale, Mich.**

[73] Assignee: **Recreation Creations, Inc., Hillsdale, Mich.**

[**] Term: **14 Years**

[21] Appl. No.: **17,252**

[22] Filed: **Jan. 10, 1994**

[52] U.S. Cl. **D25/56**

[58] Field of Search **D25/56, 1, 17; 225/16; 52/80, 82, 169.3, 169.2**

[56] **References Cited**

U.S. PATENT DOCUMENTS

D. 205,218 7/1966 Bekemeyer D25/17

D. 230,724 3/1974 Infante D25/17 X
D. 306,077 2/1990 Jenn D25/17
1,111,040 9/1914 Stalker D25/17 X
4,064,663 12/1977 Moss 52/80

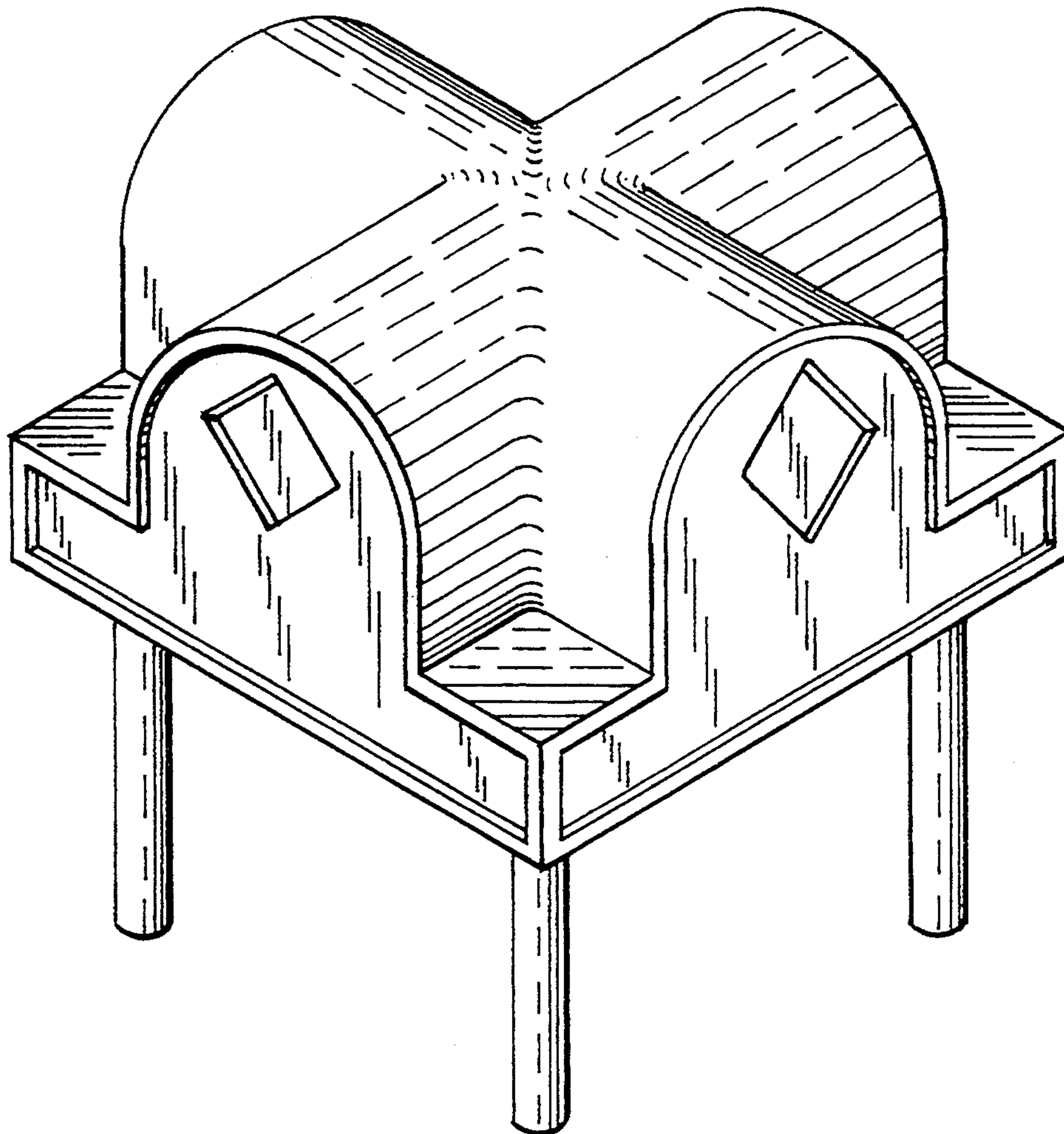
Primary Examiner—Doris V. Coles
Attorney, Agent, or Firm—Beaman & Beaman

[57] **CLAIM**

The ornamental design of a dormer roof shelter, as shown and described.

DESCRIPTION

FIG. 1 is a side and top perspective view of a dormer roof shelter in accord with my new design;
FIG. 2 is a top plan view of the design, the bottom is plain and unadorned; and,
FIG. 3 is a side elevational view of my new design, all four sides thereof being identical in appearance.



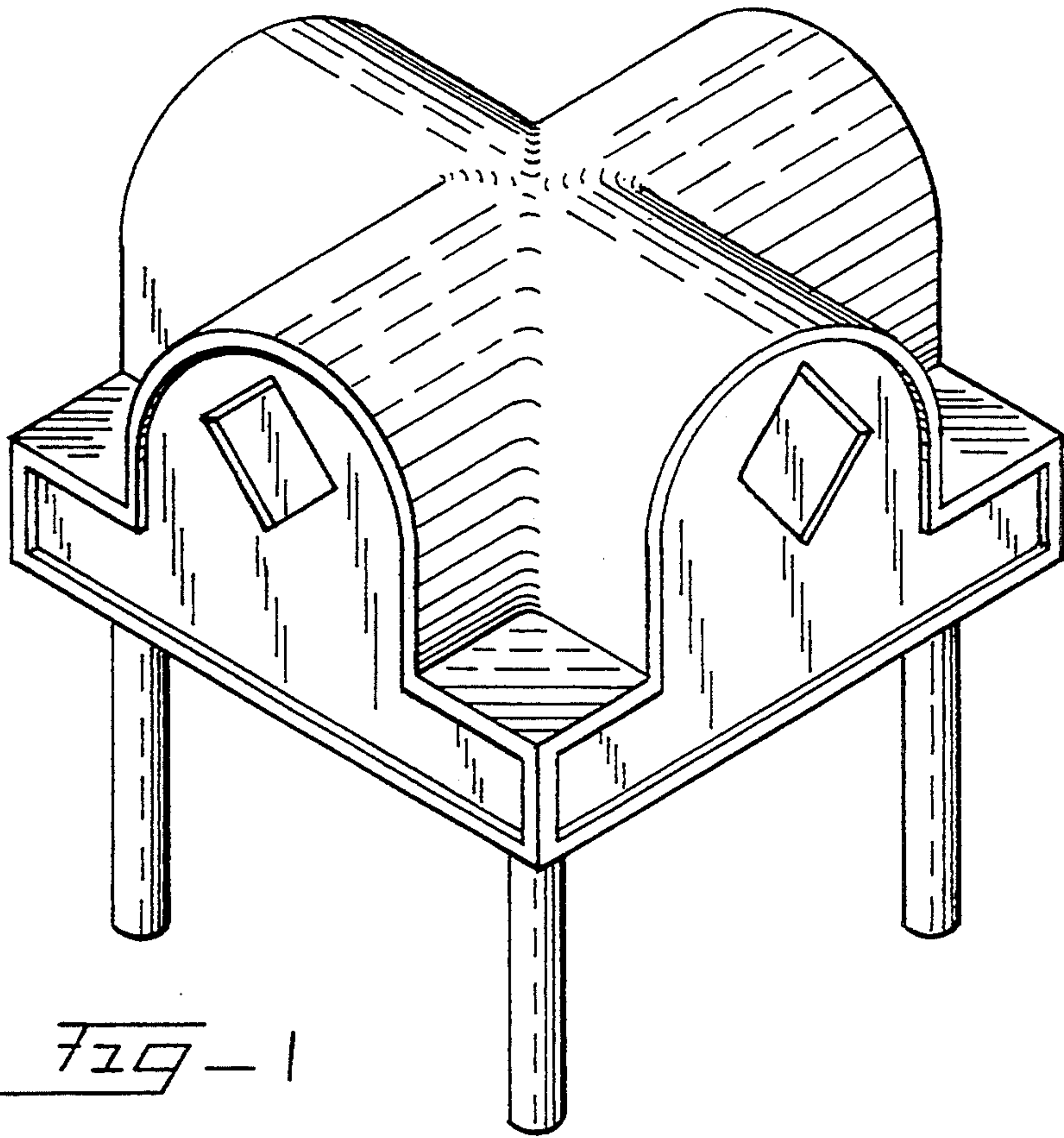


Fig-1

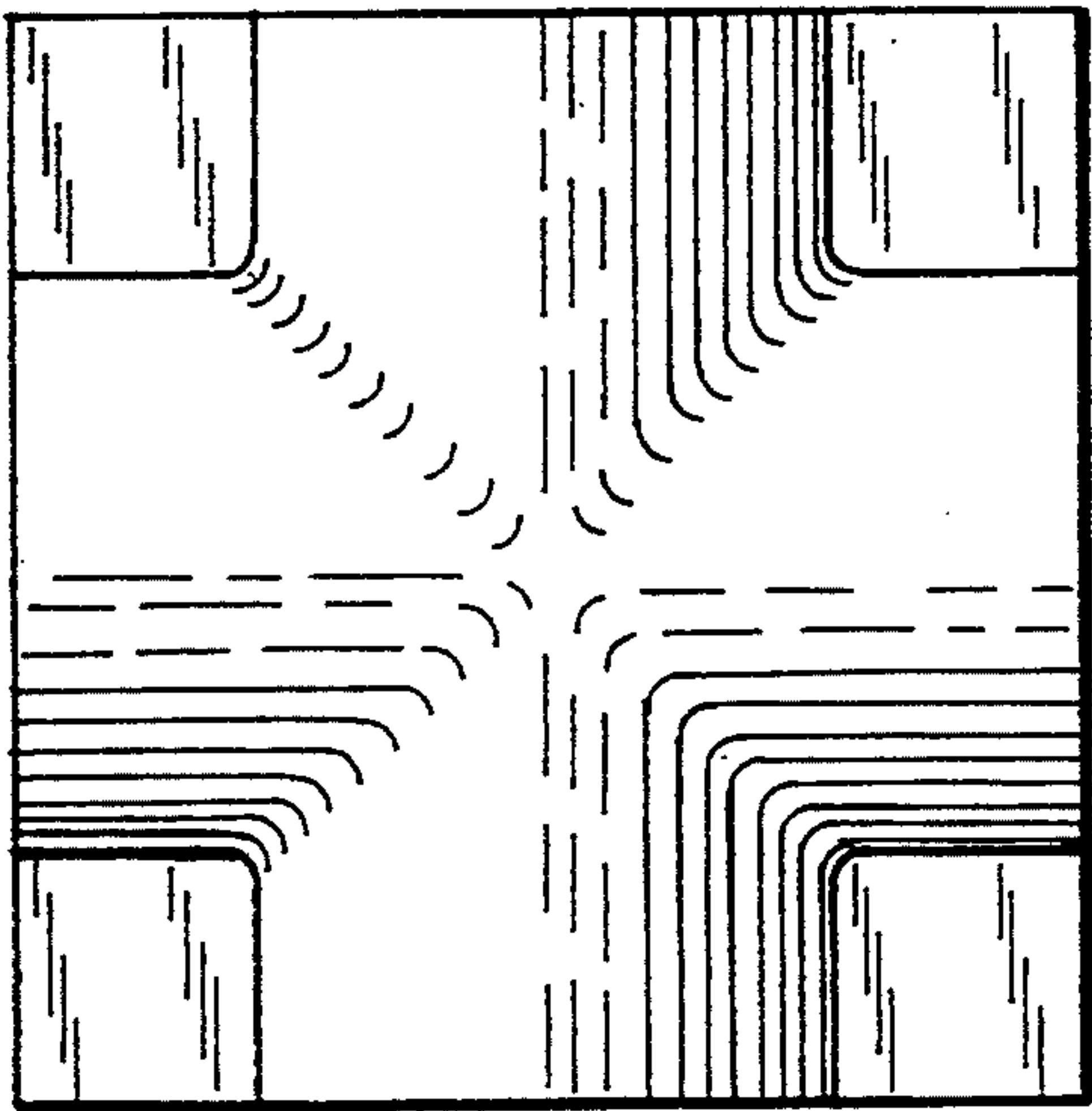


Fig-2

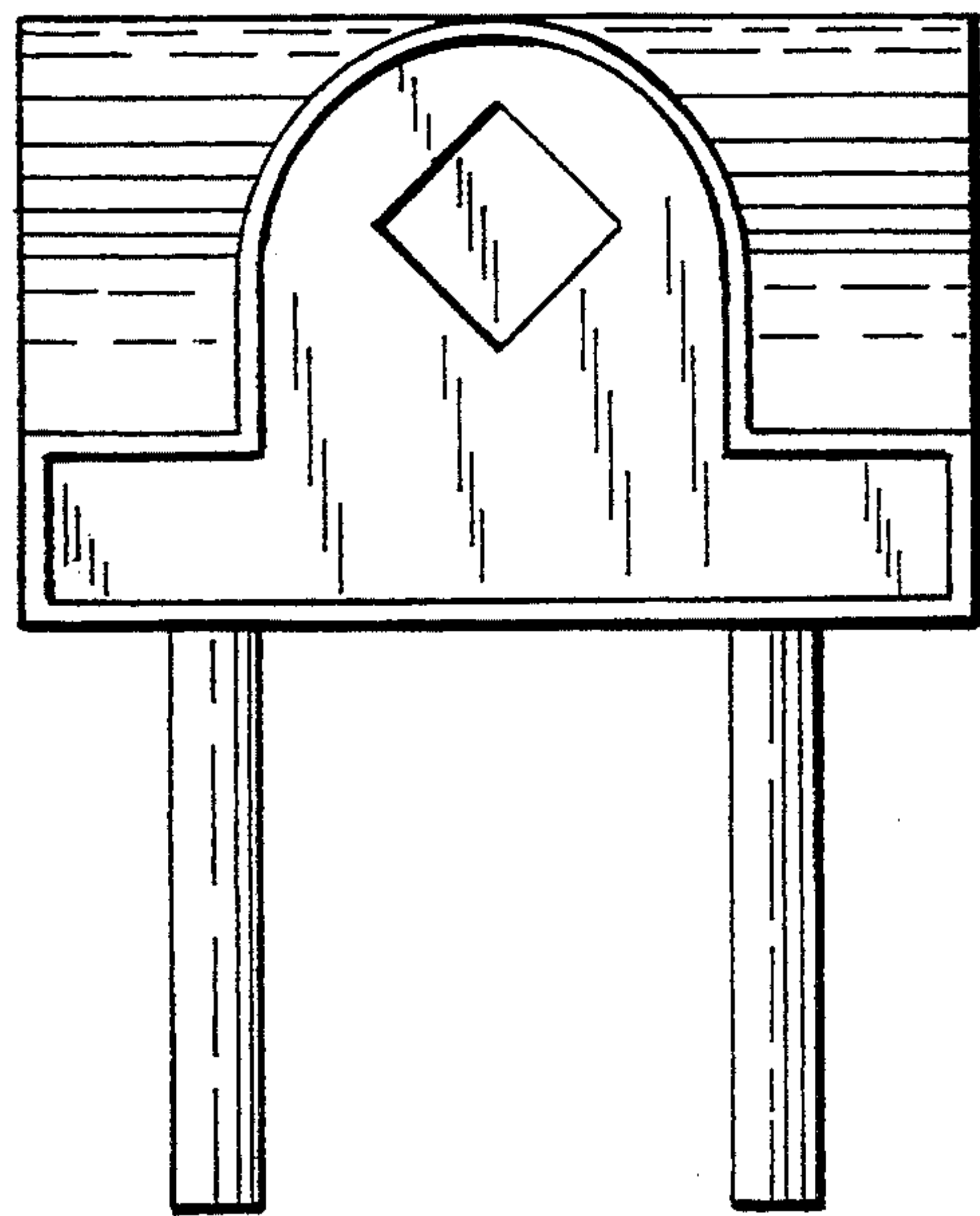


Fig-3