



US00D362307S

# United States Patent [19]

Cirone

[11] Patent Number: **Des. 362,307**

[45] Date of Patent: **\*\* Sep. 12, 1995**

[54] THERAPEUTIC HAND-HELD MASSAGER

[76] Inventor: **Samuel A. Cirone**, 49 Brumwell St., Scarborough, Ontario, Canada, M1C 2K7

[\*\*] Term: **14 Years**

[21] Appl. No.: **8,539**

[22] Filed: **May 20, 1993**

[52] U.S. Cl. .... **D24/211**

[58] Field of Search ..... D24/214, 215, 200, 211; 606/204; 601/135, 134

3,228,392 1/1966 Speyer ..... 601/134 X  
3,994,289 11/1976 Thomas et al. .... D24/200 X  
5,195,510 3/1993 Svacina ..... 601/135

*Primary Examiner*—Louis S. Zarfes

*Assistant Examiner*—I. Simmons

*Attorney, Agent, or Firm*—Shoemaker and Mattare, Ltd.

### [57] CLAIM

The ornamental design for a therapeutic hand-held massager, as shown and described.

### DESCRIPTION

FIG. 1 is a side elevational view of a therapeutic hand-held massager showing my new design, the opposite elevational view being a mirror image thereto;

FIG. 2 is a perspective view thereof, with the end cap removed;

FIG. 3 is a top plan view thereof;

FIG. 4 is a bottom plan view thereof;

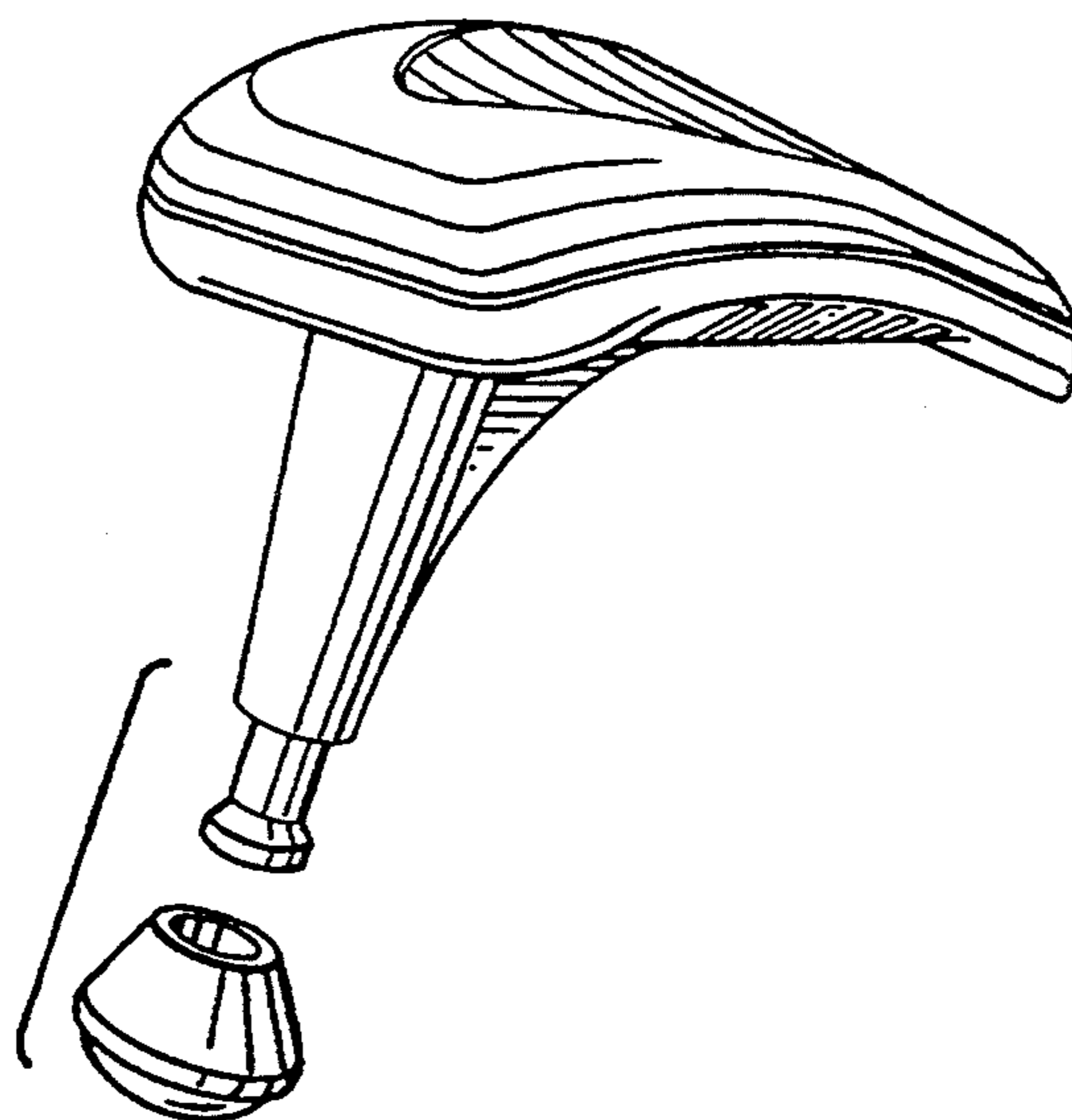
FIG. 5 is a front elevational view thereof; and,

FIG. 6 is a rear elevational view thereof.

### [56] References Cited

#### U.S. PATENT DOCUMENTS

D. 211,549	6/1968	Christopher	.....	D24/211
D. 248,668	7/1978	Brehm	.....	601/134 X
D. 268,524	4/1983	D'Addio et al.	.....	D24/211
D. 277,983	3/1985	Kaminski	.....	D24/214
D. 323,035	1/1992	Yang	.....	D24/214



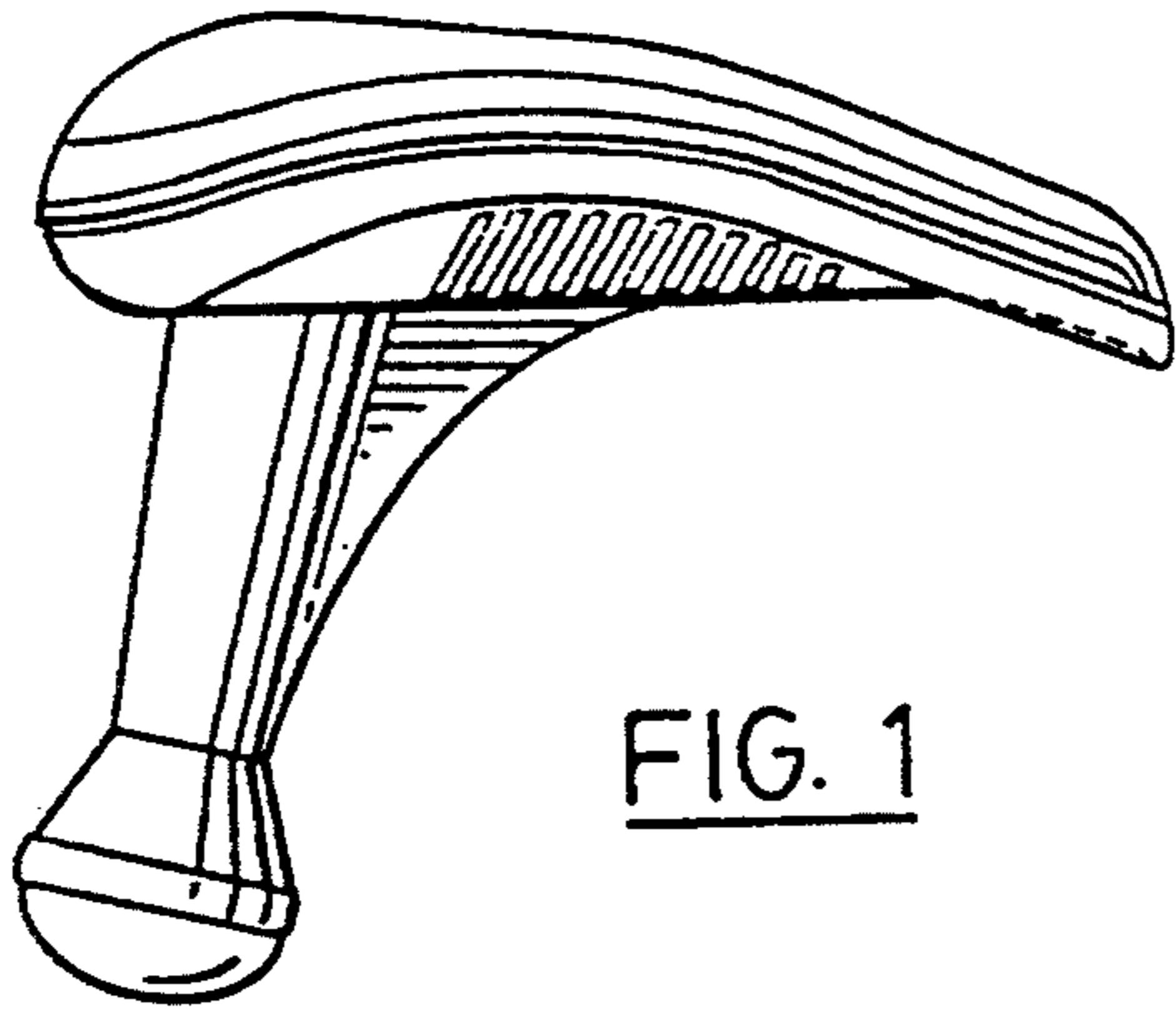


FIG. 1

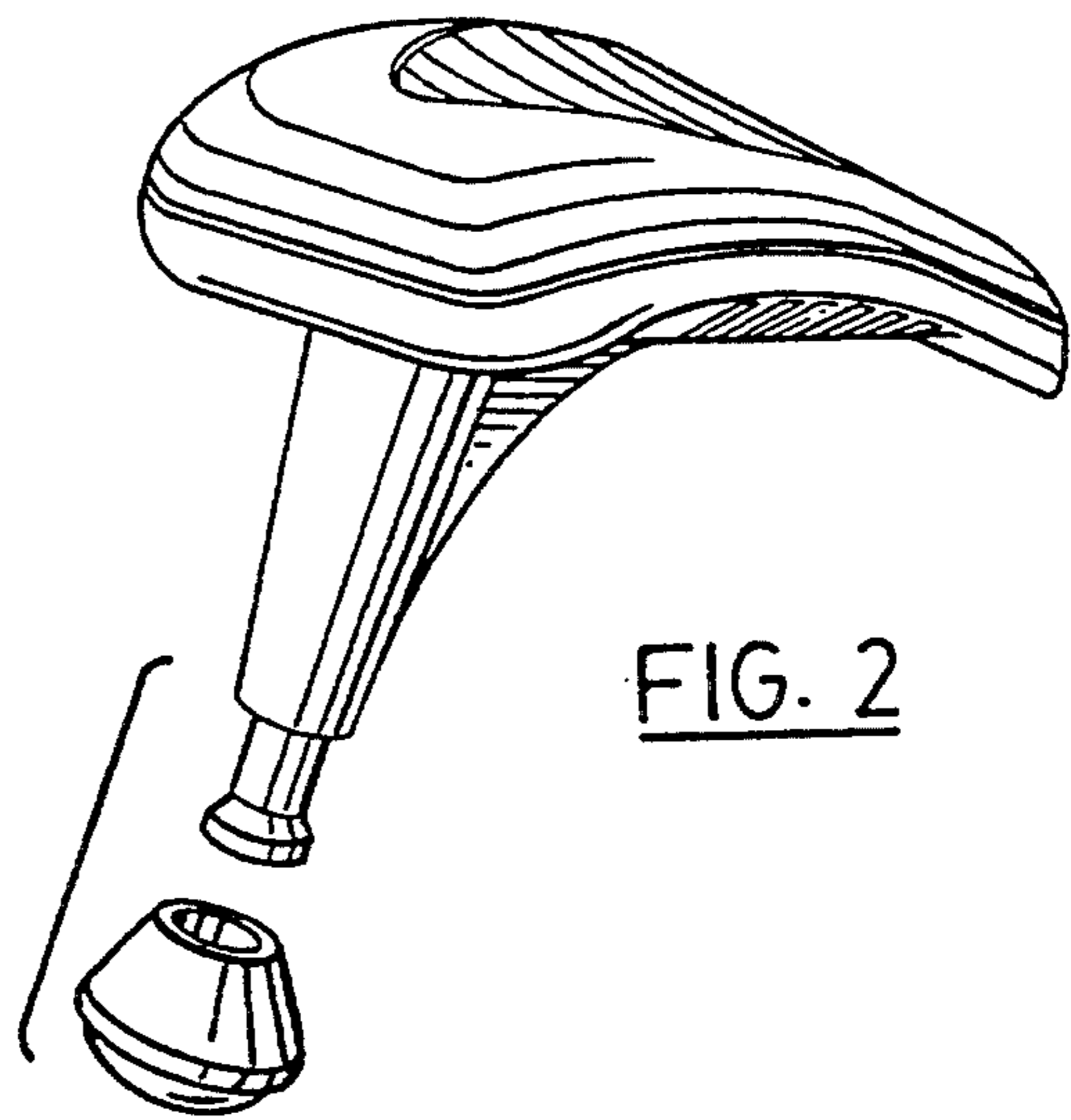


FIG. 2

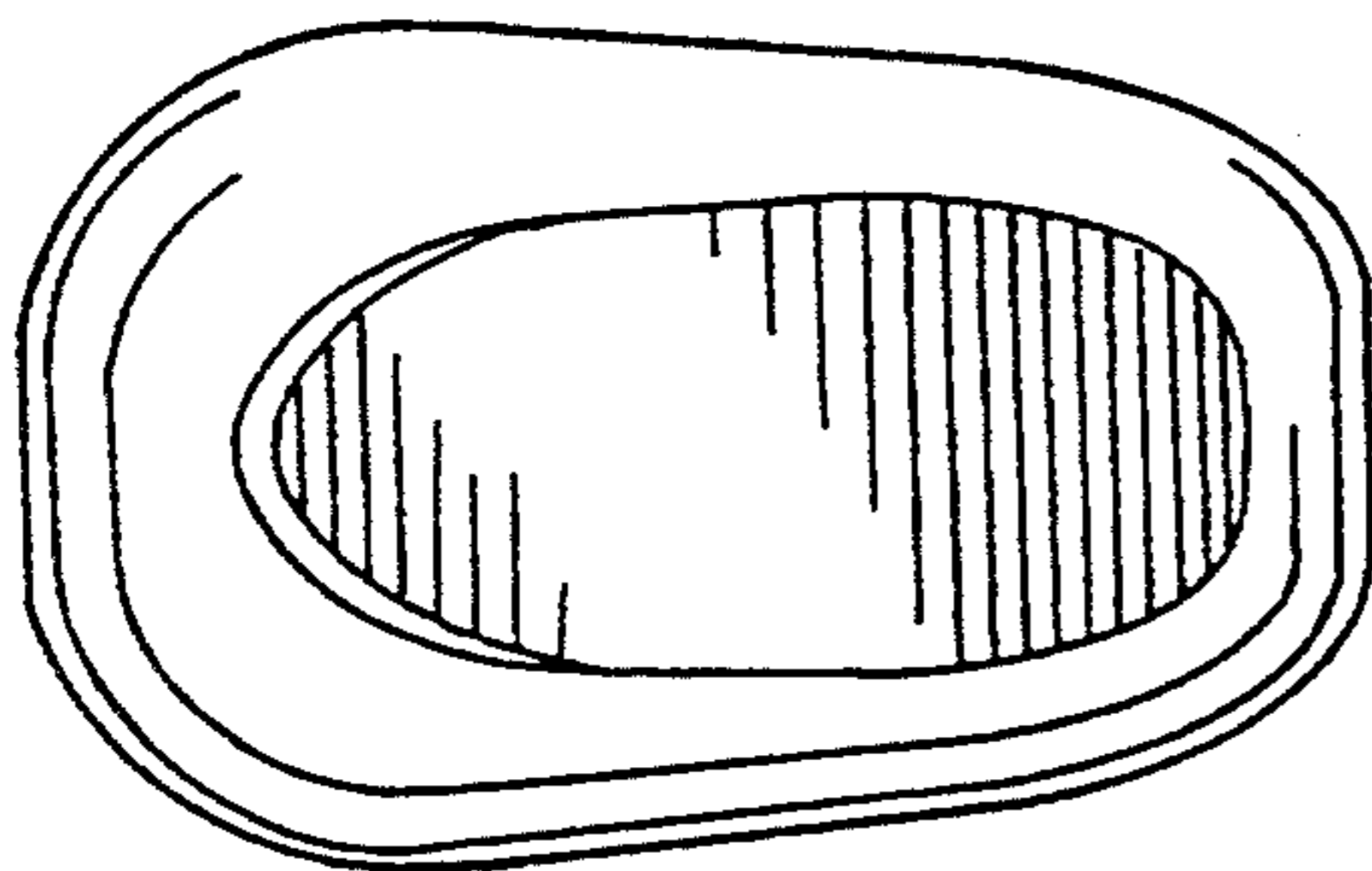


FIG. 3

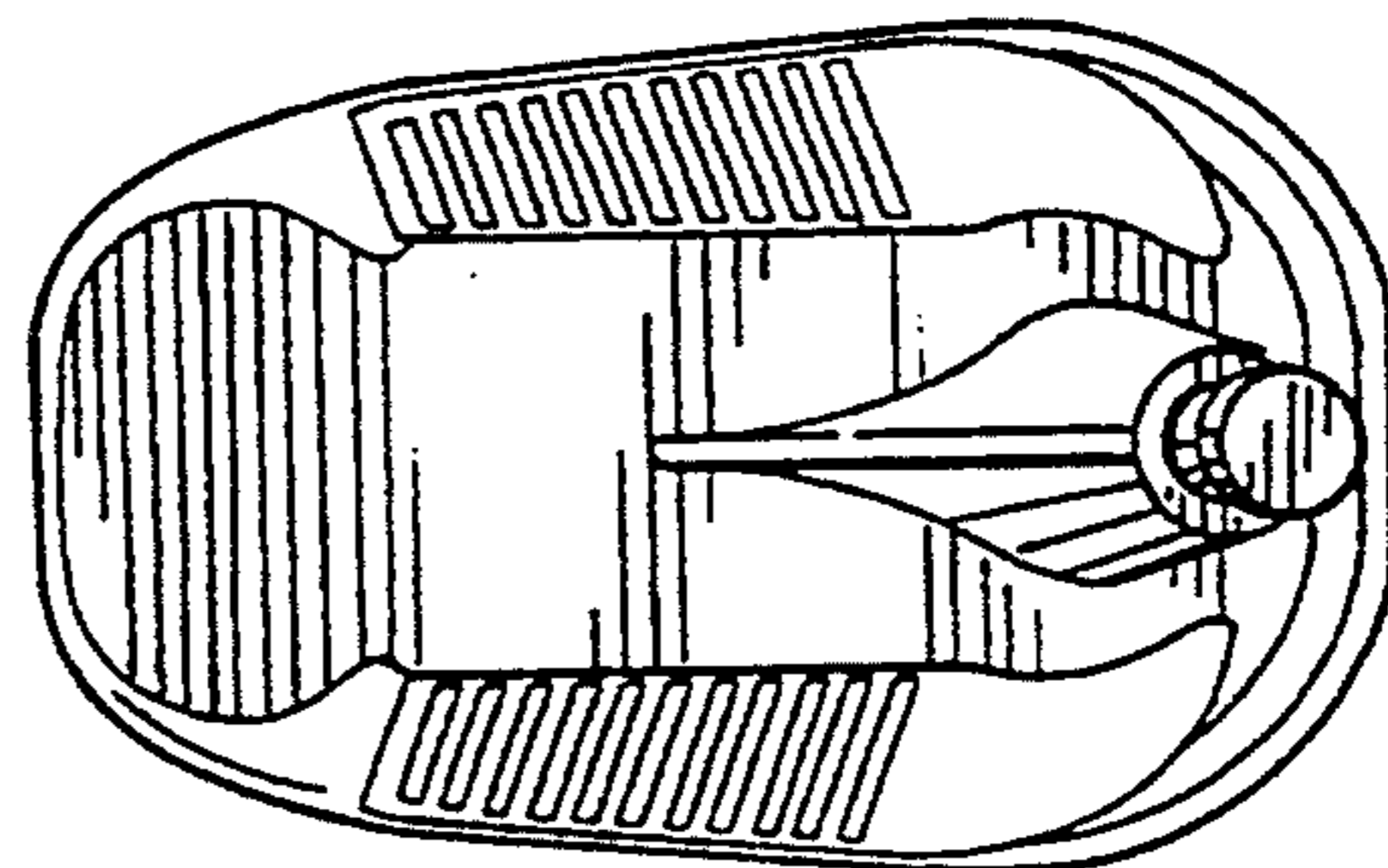


FIG. 4

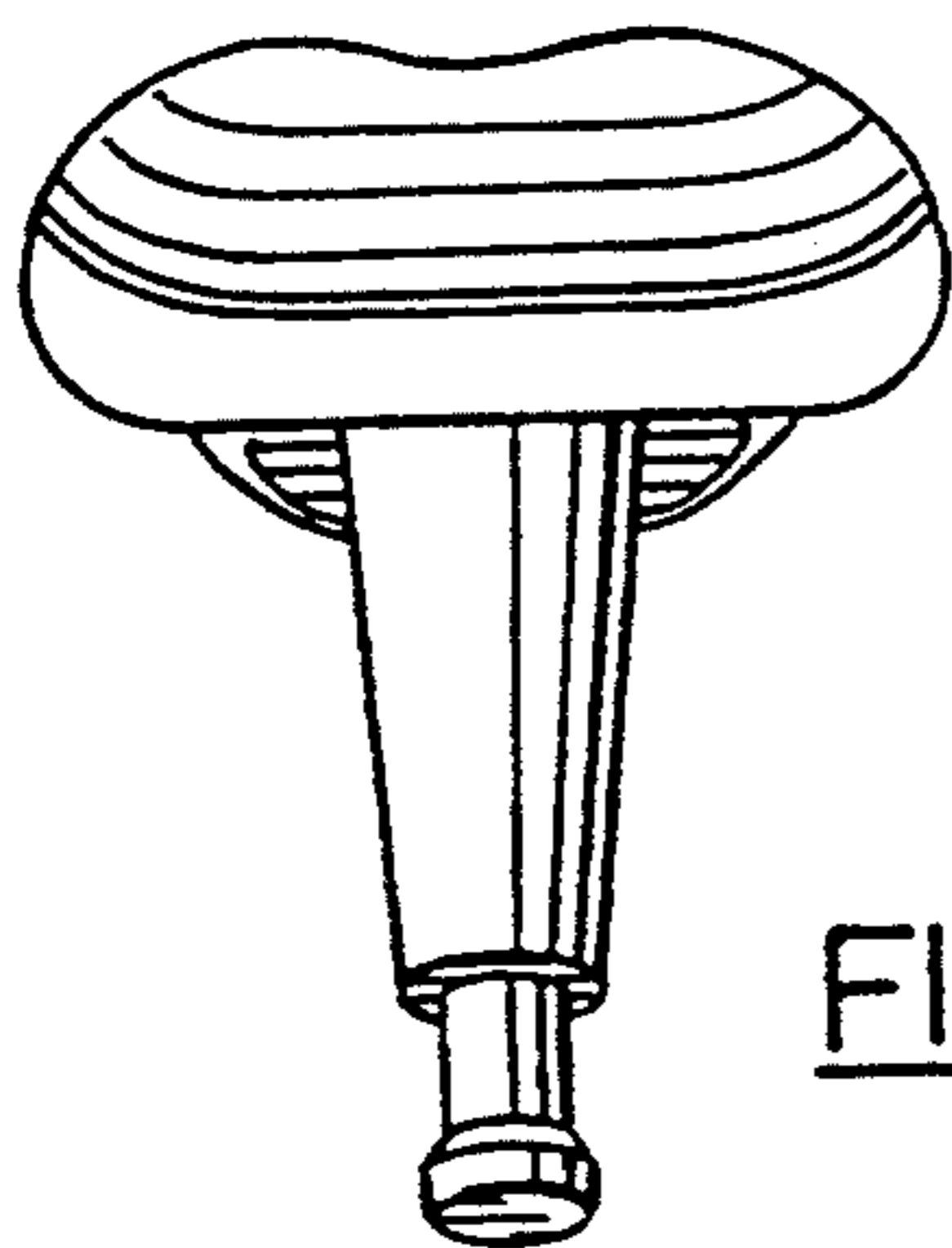


FIG. 5

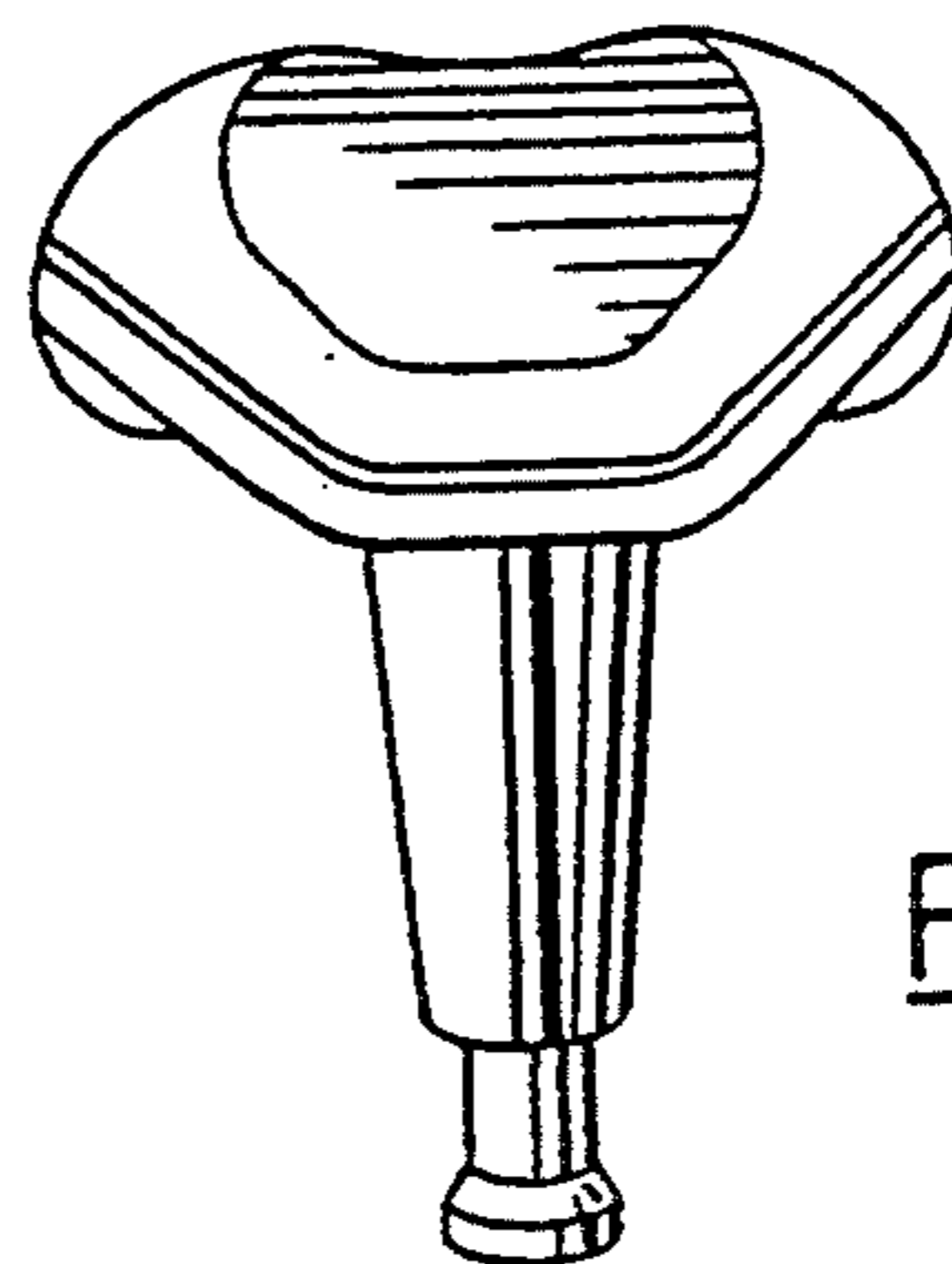


FIG. 6