



US00D362303S

United States Patent [19]

[11] Patent Number: **Des. 362,303**

Kurokawa

[45] Date of Patent: **** Sep. 12, 1995**

[54] **BREATHING REGULATOR**

[75] Inventor: **Masayuki Kurokawa, Tokyo, Japan**

[73] Assignee: **Grand Bleu International, Inc., New York, N.Y.**

[**] Term: **14 Years**

[21] Appl. No.: **21,575**

[22] Filed: **Apr. 20, 1994**

[52] U.S. Cl. **D24/110.6; D24/110.5**

[58] Field of Search **D24/110.5, 110.6; 128/200.29, 201.11, 206.21, 206.27, 206.28, 206.29, 207.12**

3,101,732	8/1963	Dalla Valle	D24/110.5	X
4,467,797	8/1984	Franke	128/200.29	X
4,784,129	11/1988	Garraffa	128/200.29	
5,282,462	2/1994	Kudo	128/206.29	X

Primary Examiner—Louis S. Zarfaz
Assistant Examiner—I. Simmons
Attorney, Agent, or Firm—Darby & Darby

[57] **CLAIM**

The ornamental design for a breathing regulator, as shown and described.

DESCRIPTION

FIG. 1 is a top left perspective view of a breathing regulator showing my new design; FIG. 2 is a top plan view thereof; FIG. 3 is a bottom plan view; FIG. 4 is a right side plan view thereof; FIG. 5 is a front elevational view thereof; and, FIG. 6 is a rear elevational view thereof.

[56] **References Cited**

U.S. PATENT DOCUMENTS

D. 245,121 7/1977 Christianson D24/110.6
D. 297,156 8/1988 Applegate Jr. et al. ... D24/110.6 X

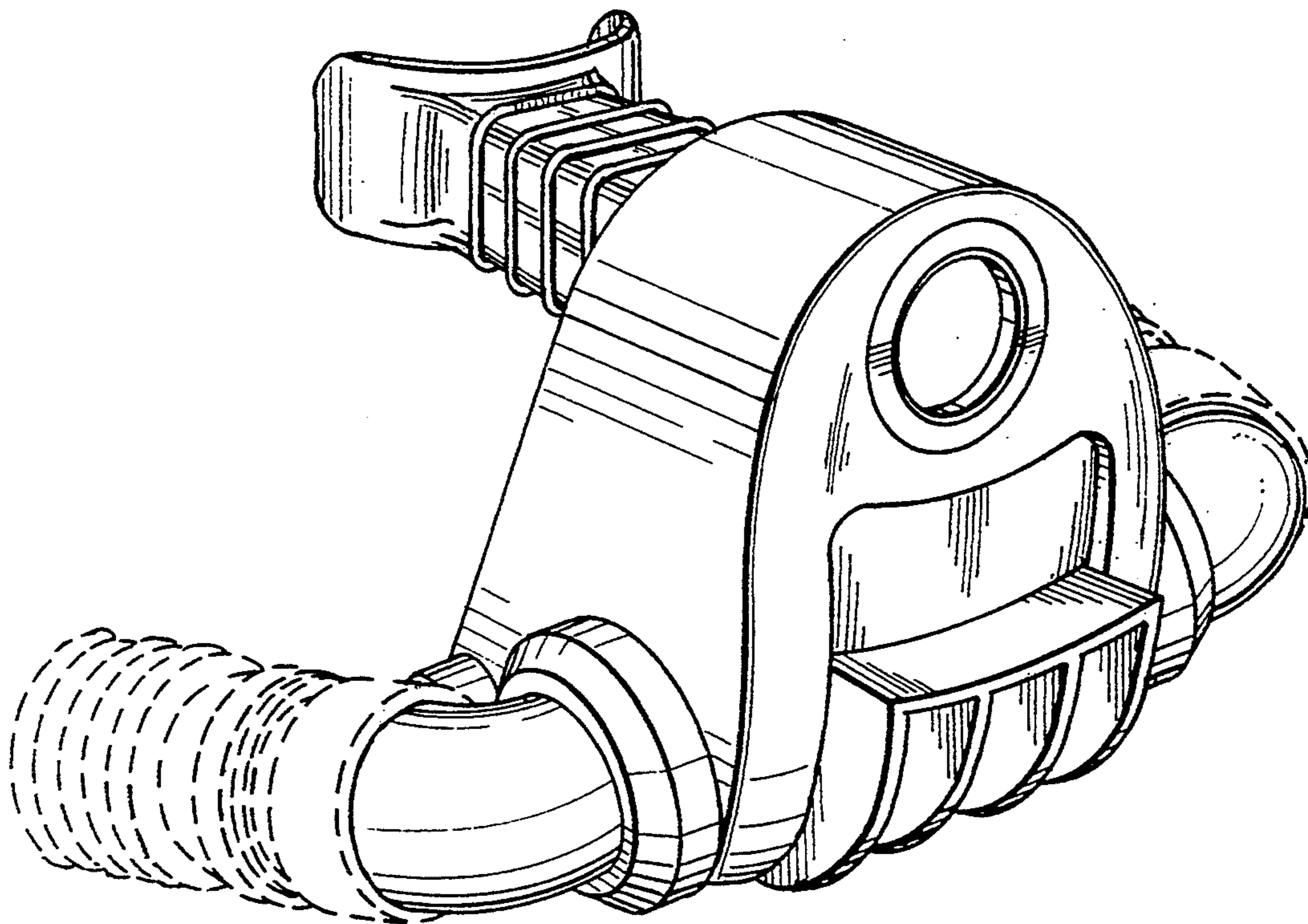
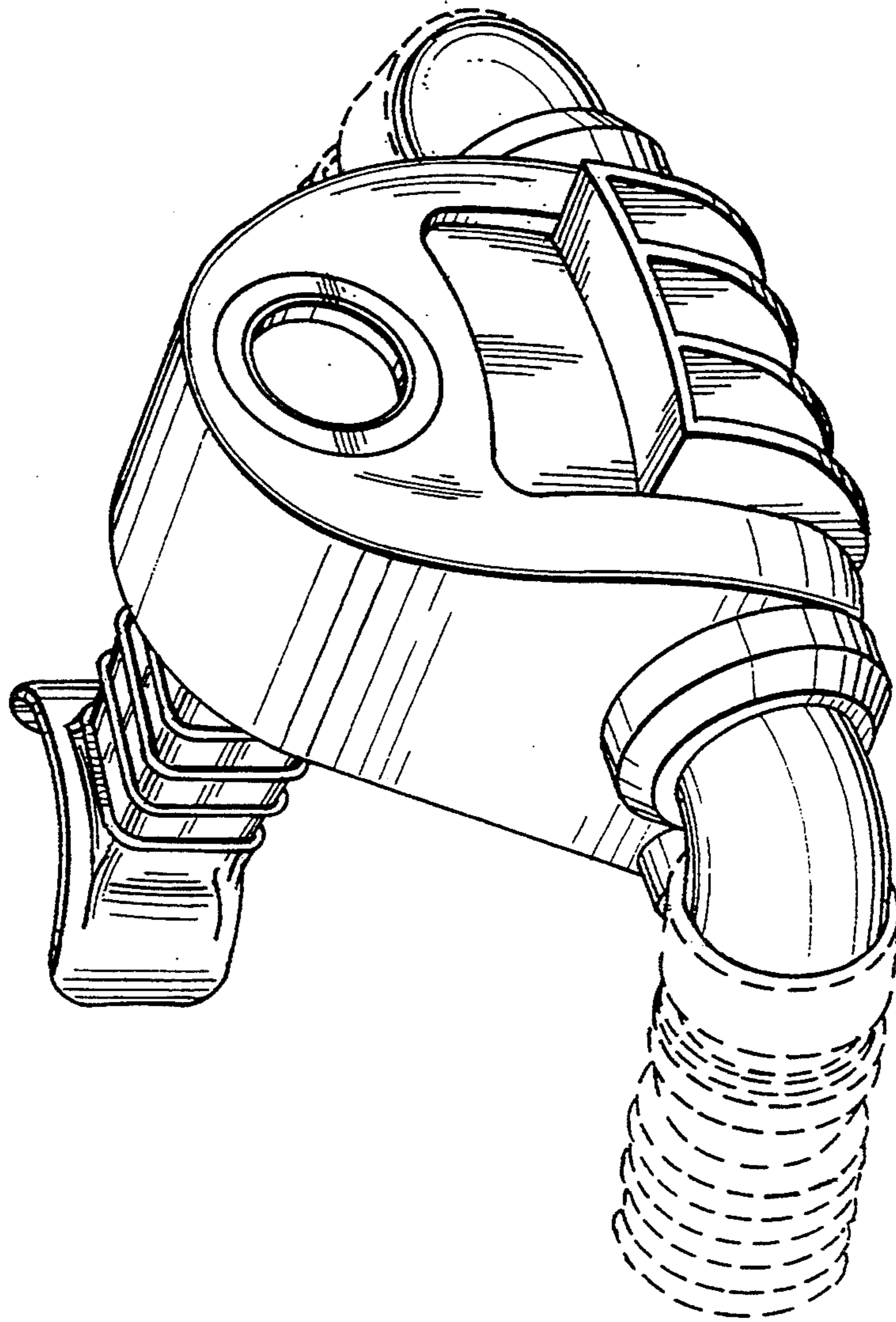


FIG. 1



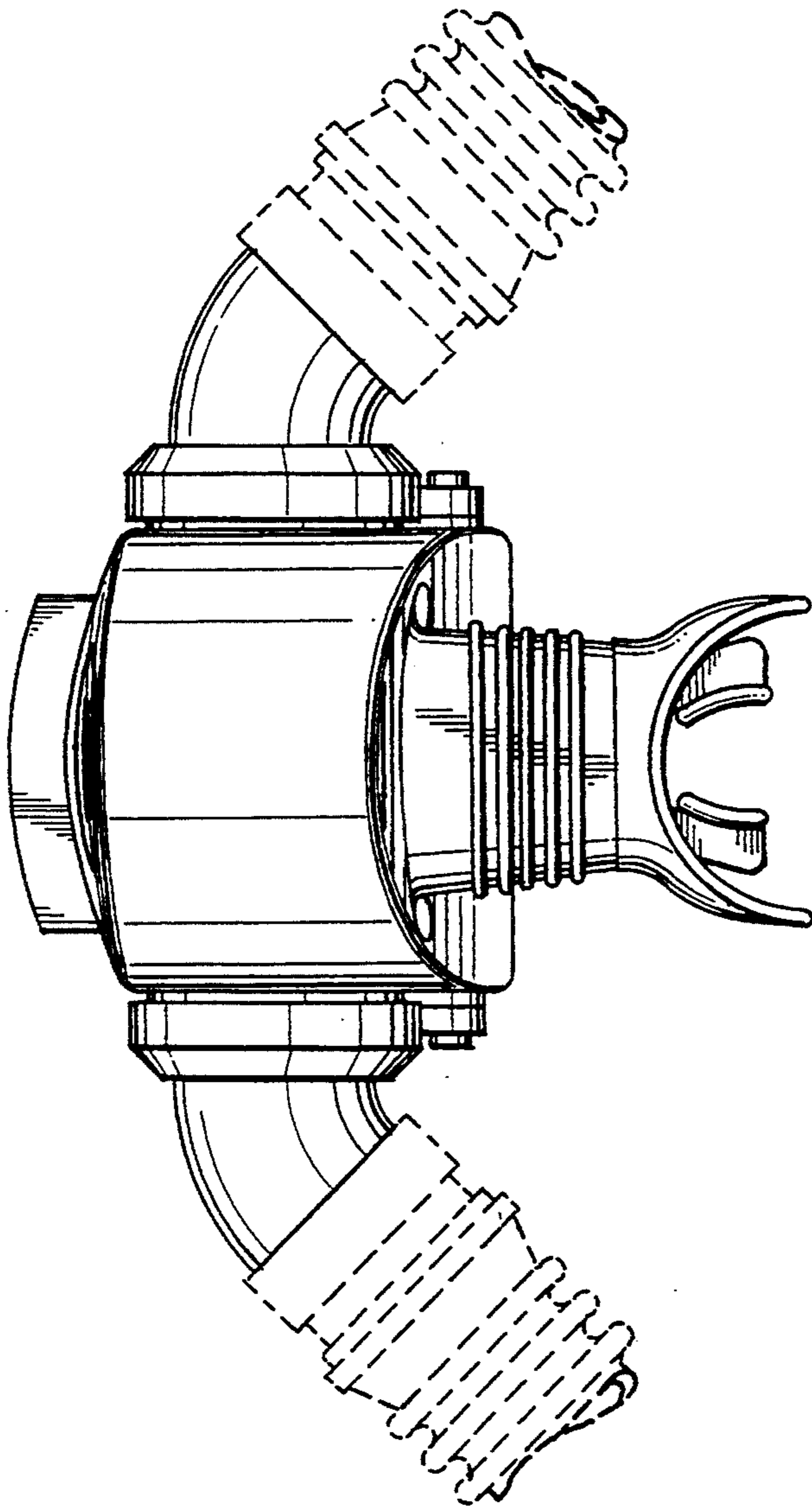


FIG. 2

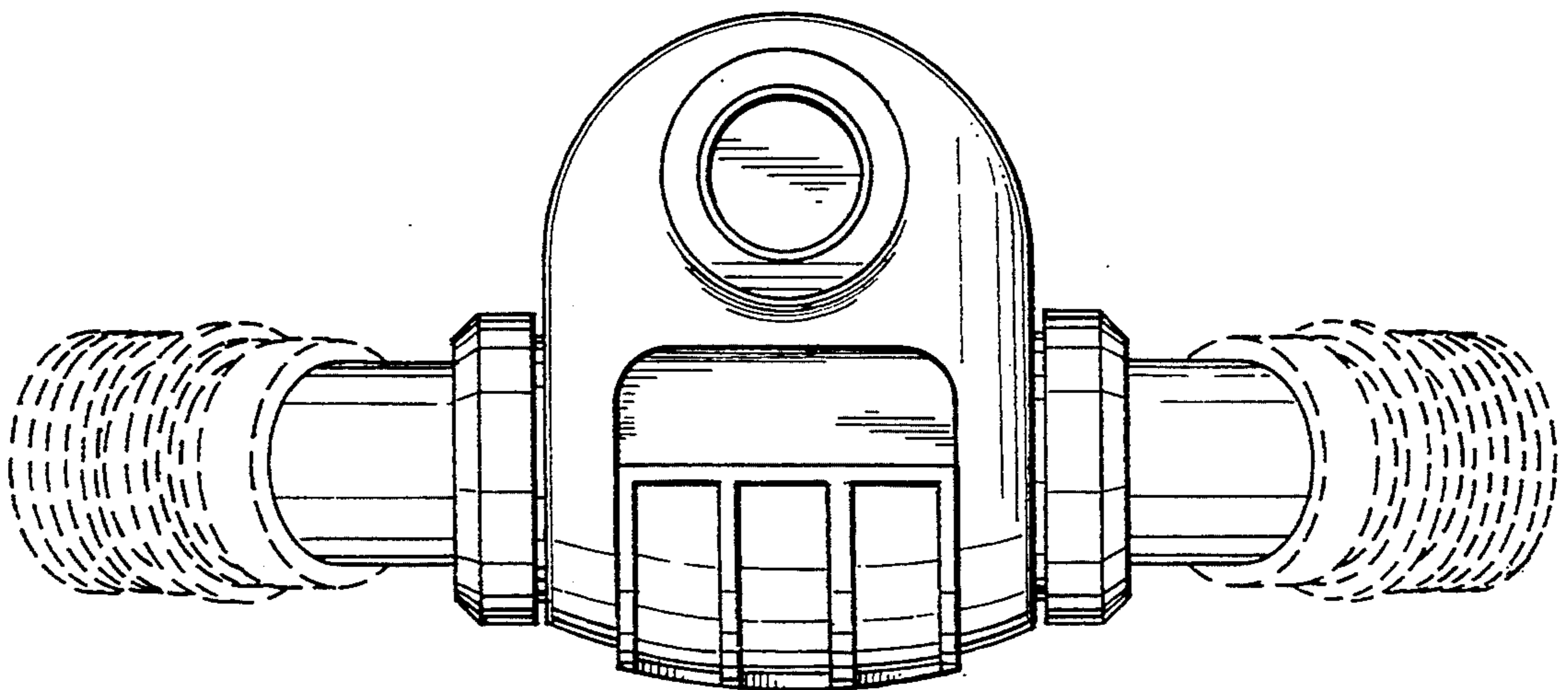


FIG. 5

FIG. 3

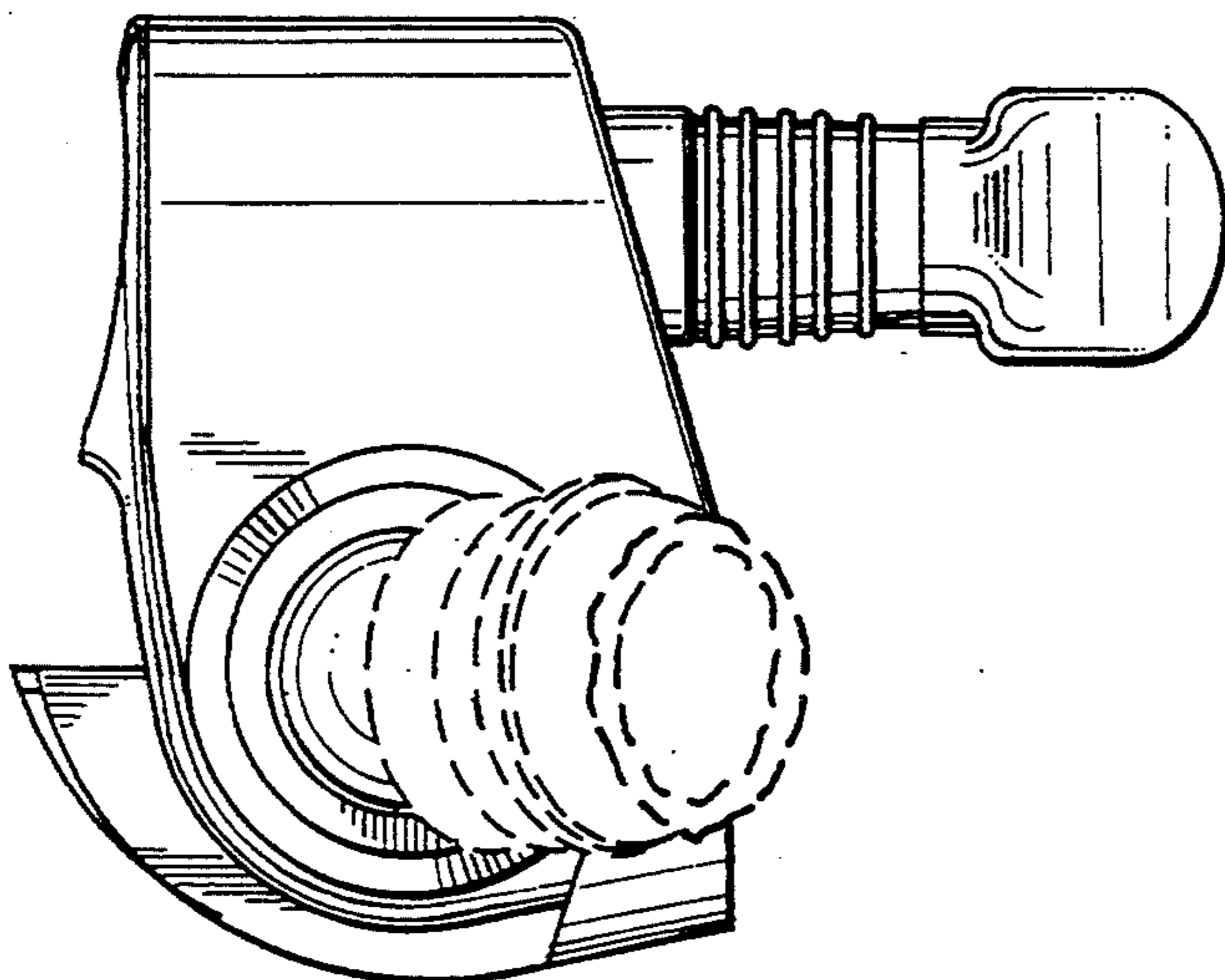
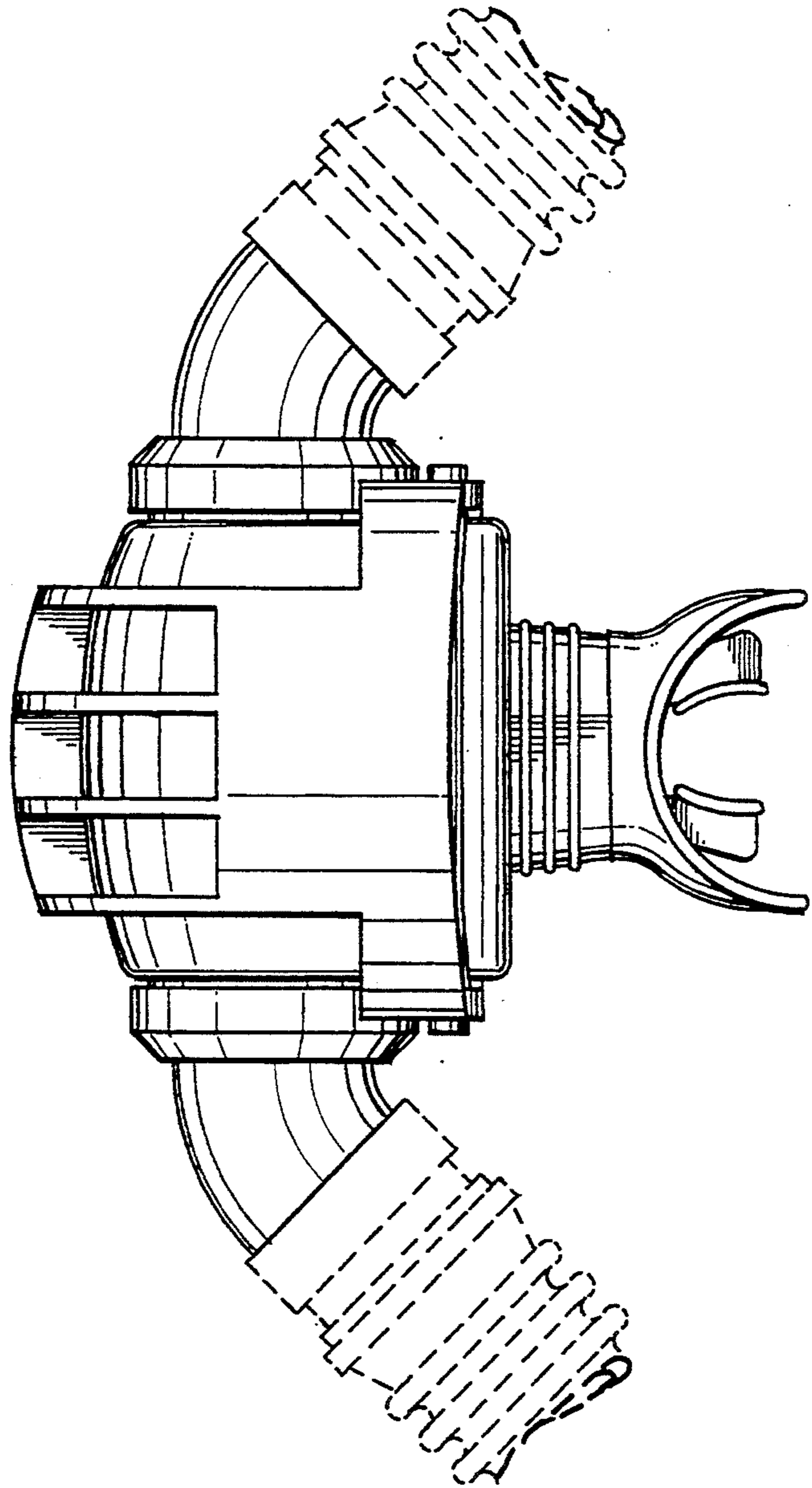


FIG. 4

FIG. 6

