



US00D362301S

**United States Patent** [19]  
**Kähönen**

[11] **Patent Number: Des. 362,301**

[45] **Date of Patent: \*\* Sep. 12, 1995**

[54] **DOOR OF A FIREPLACE**

[75] Inventor: **Hannu Kähönen, Helsinki, Finland**

[73] Assignee: **Tulikivi Oy, Jukka, Finland**

[\*\*] Term: **14 Years**

[21] Appl. No.: **23,304**

[22] Filed: **May 23, 1994**

[30] **Foreign Application Priority Data**

Nov. 22, 1993 [FI] Finland ..... 773/93  
[52] U.S. Cl. .... **D23/405; D23/350**  
[58] Field of Search ..... **D23/405, 350, 343-347;  
126/547, 544**

[56] **References Cited**

**FOREIGN PATENT DOCUMENTS**

53249 8/1984 Canada .

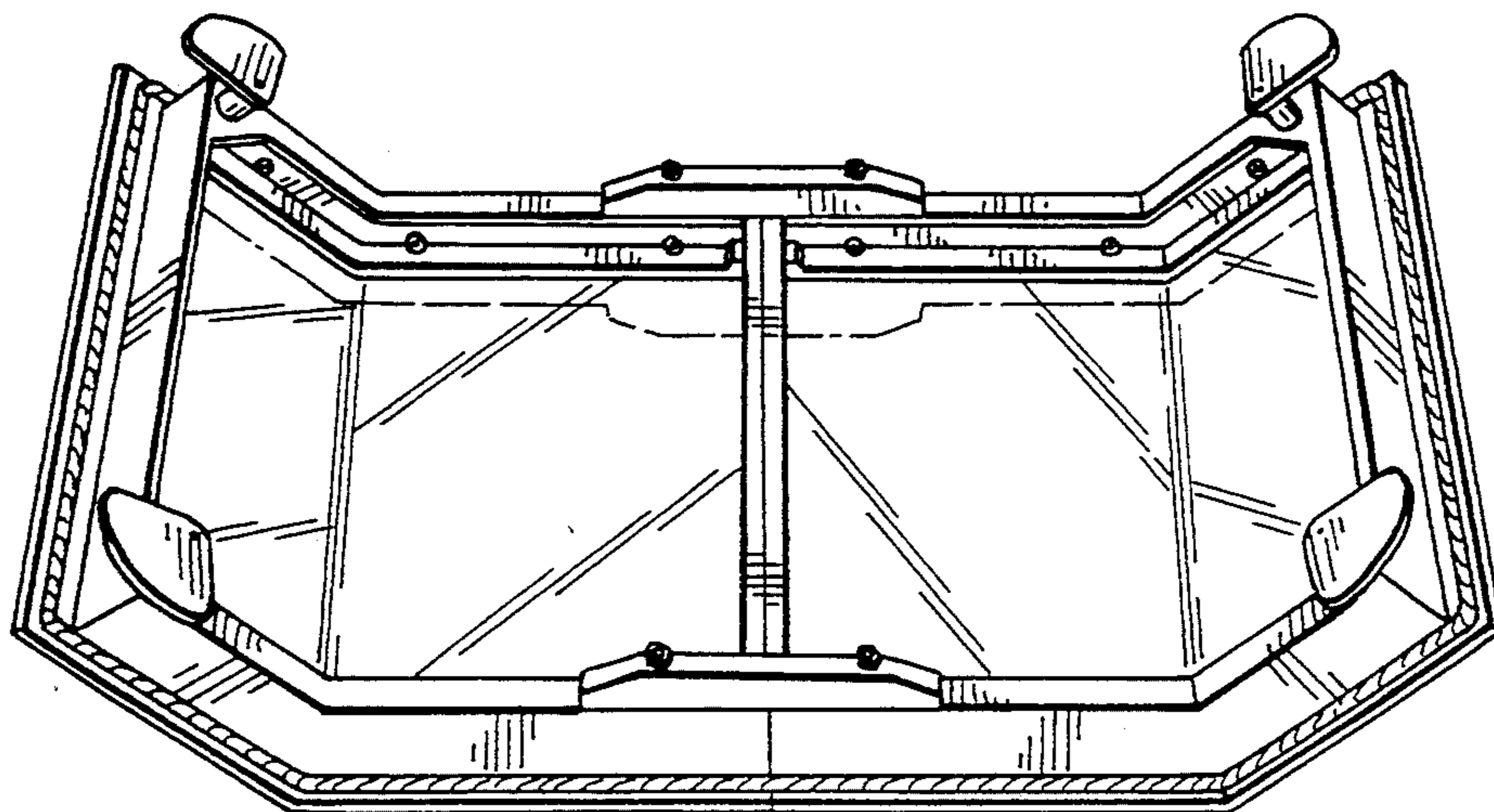
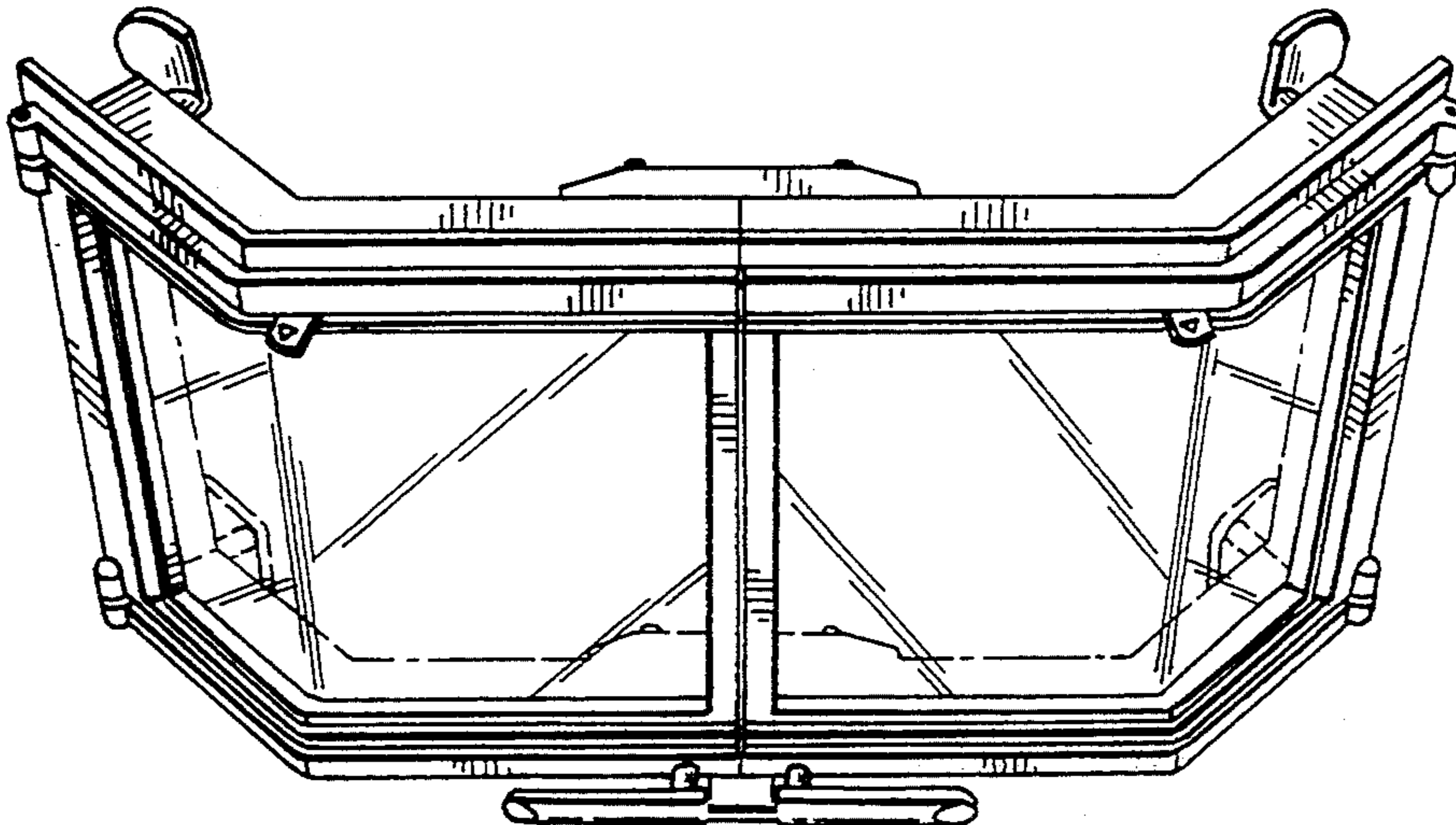
*Primary Examiner*—Lisa P. Lichtenstein  
*Attorney, Agent, or Firm*—Ladas & Parry

[57] **CLAIM**

The ornamental design for a door of a fireplace, as shown and described.

**DESCRIPTION**

FIG. 1 is a top and front perspective view of a door of a fireplace showing my new design;  
FIG. 2 is a bottom and rear perspective view thereof;  
FIG. 3 is a bottom view thereof;  
FIG. 4 is a left side elevation view thereof, the right side being a mirror image of that shown; and,  
FIG. 5 is a front view thereof.



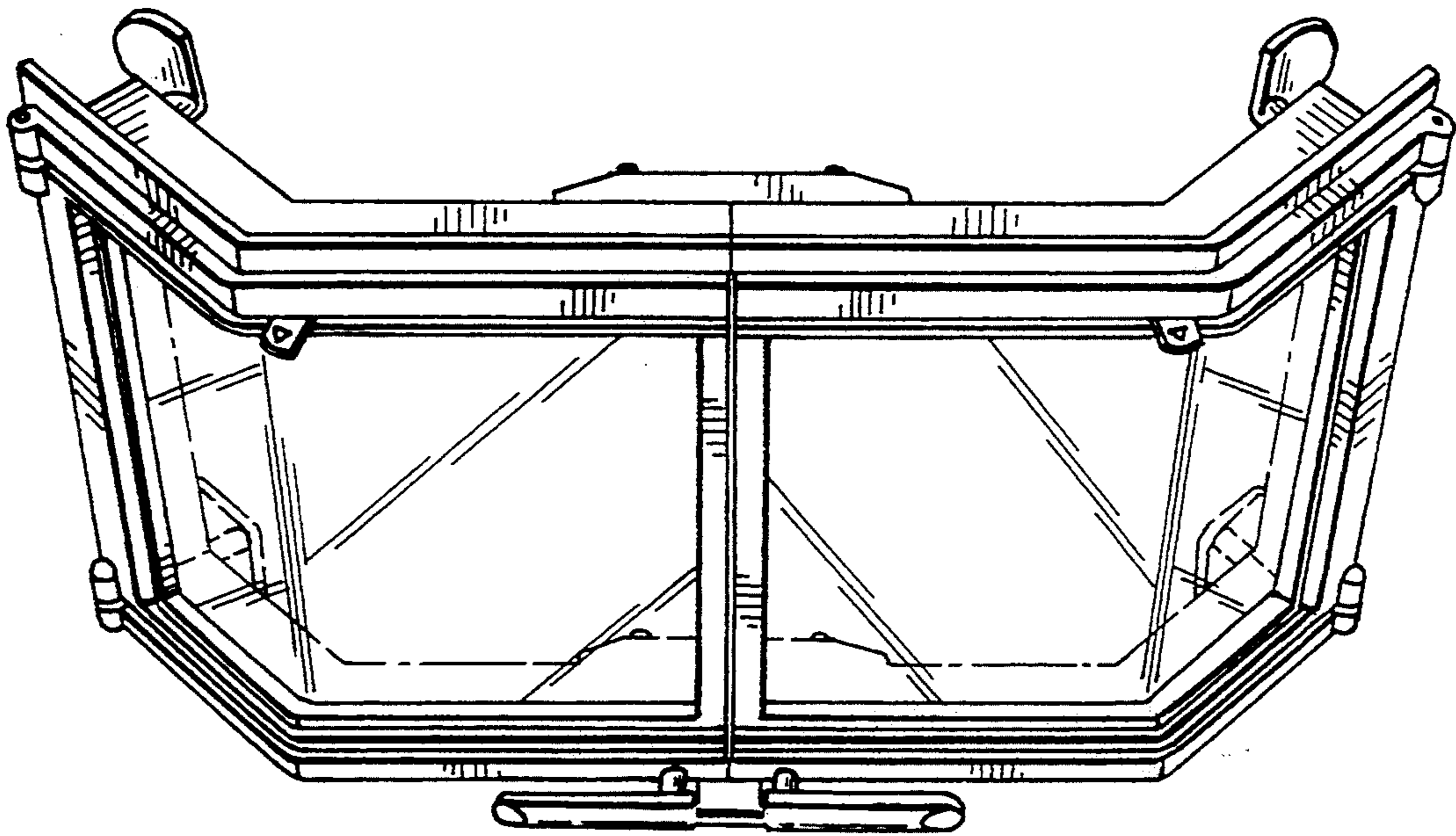


FIG. 1

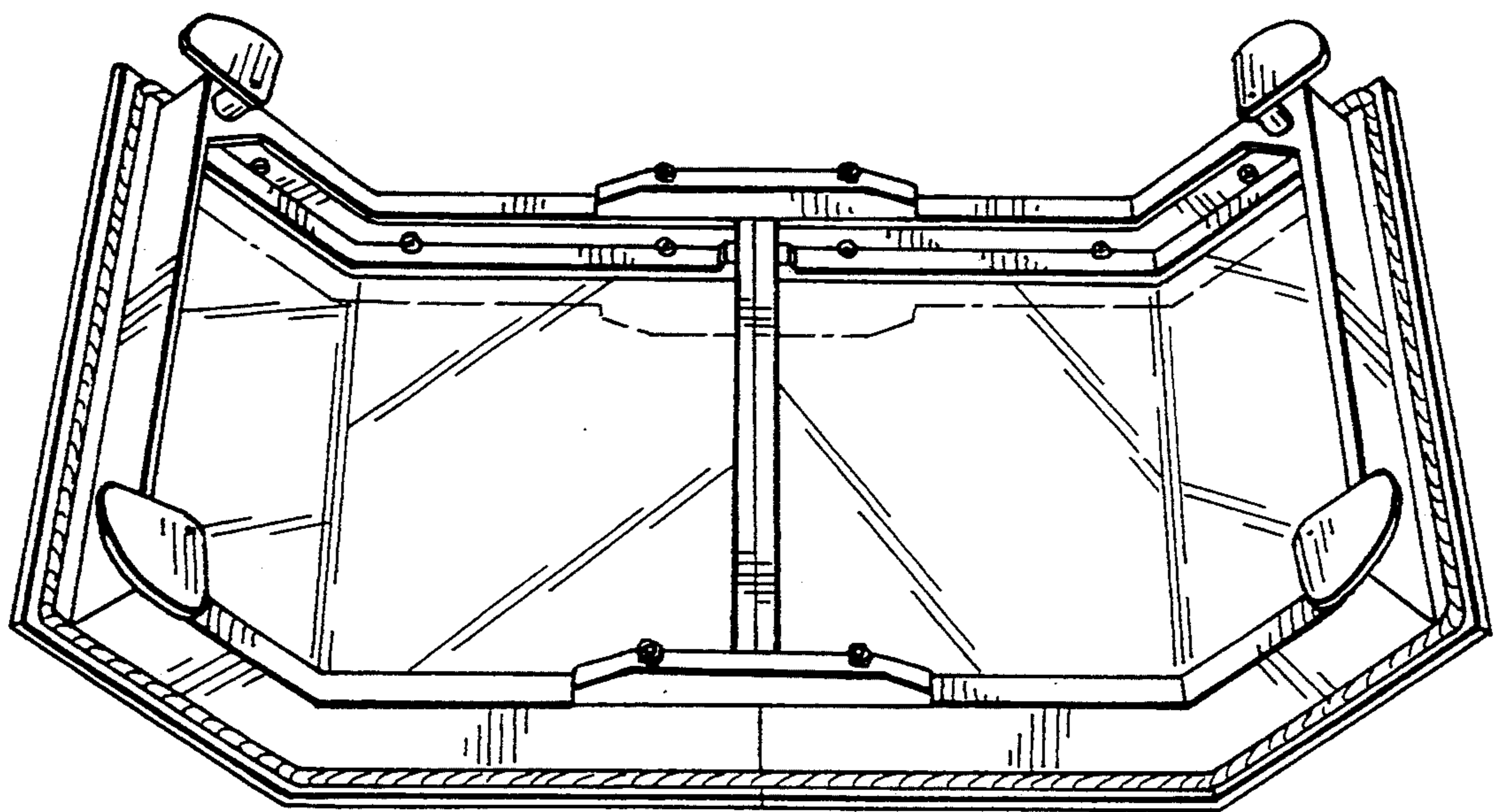


FIG. 2

FIG. 3

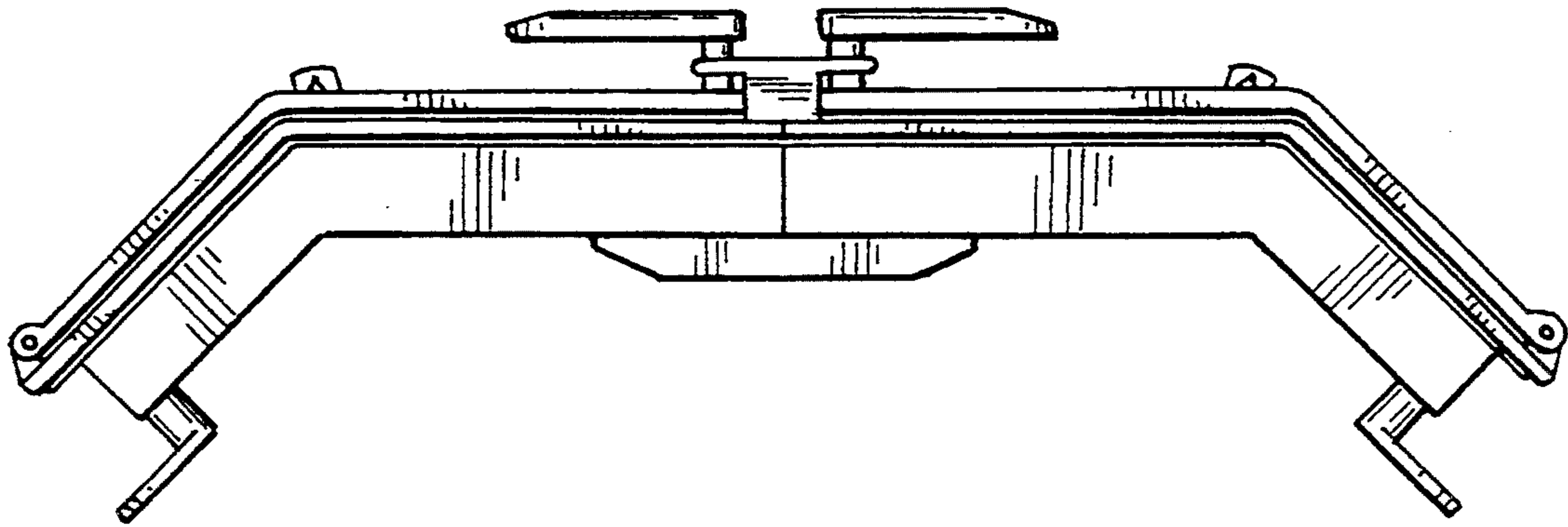


FIG. 4

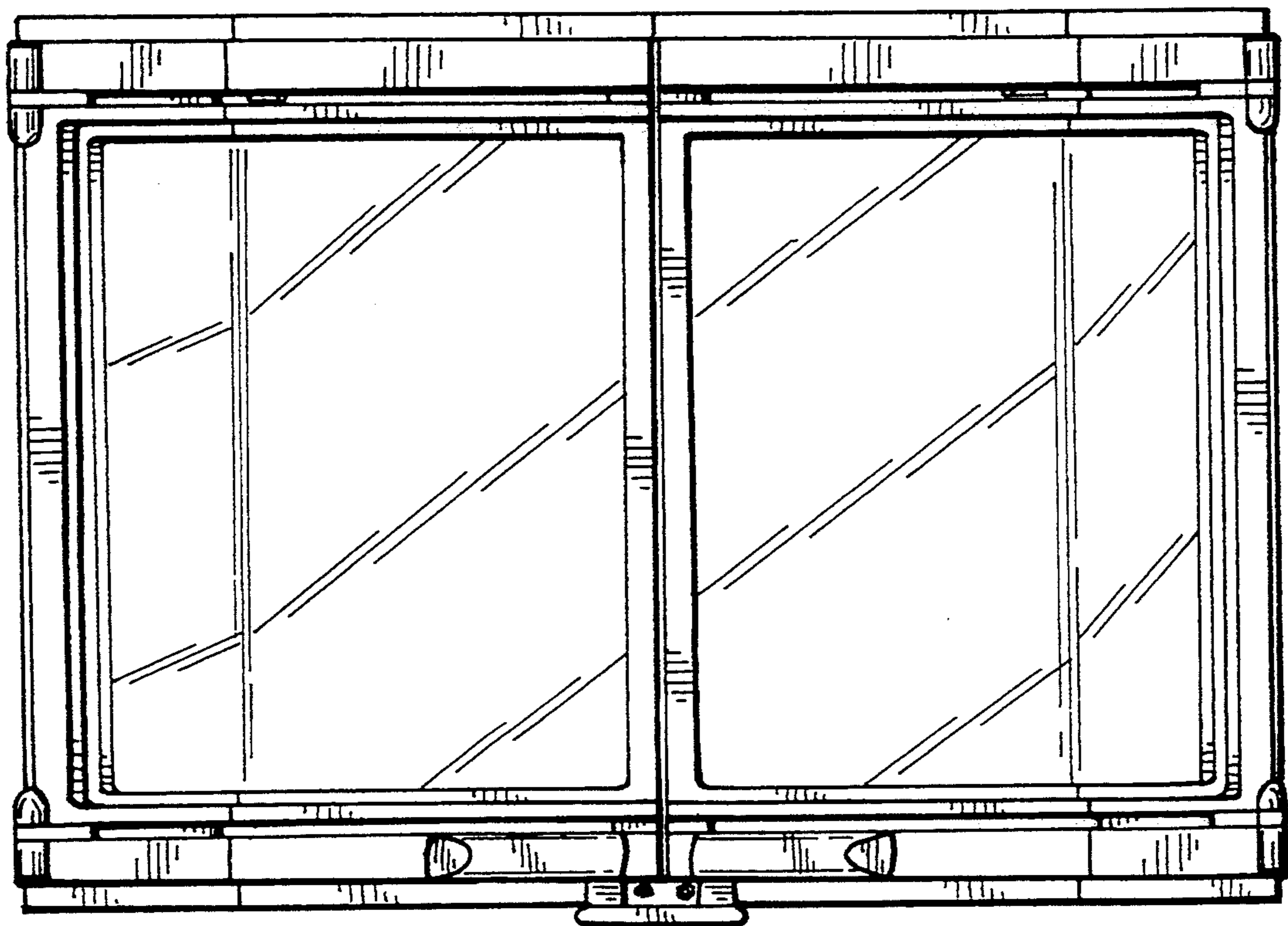
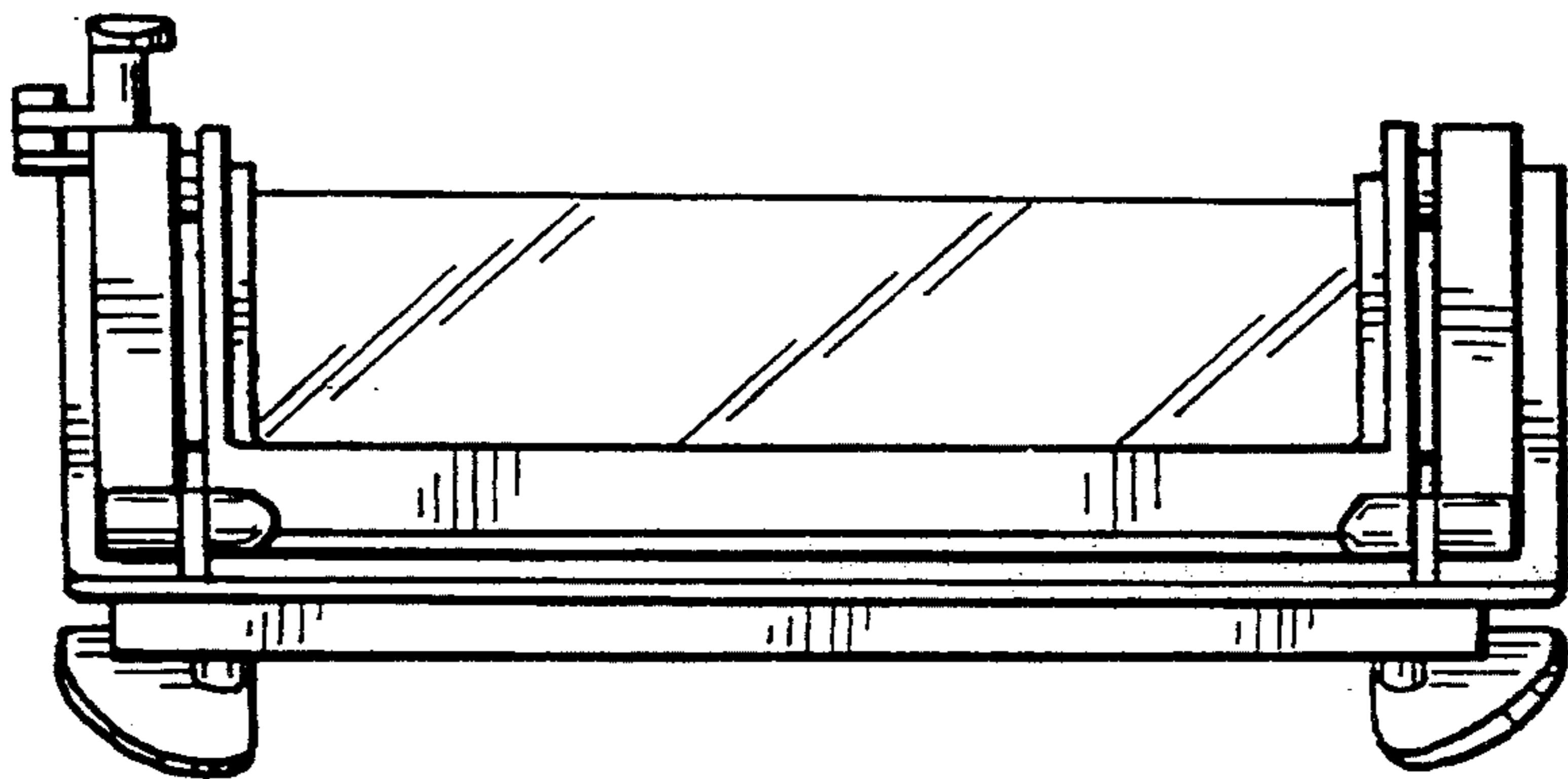


FIG. 5

UNITED STATES PATENT AND TRADEMARK OFFICE  
**CERTIFICATE OF CORRECTION**

PATENT NO. : DES. 362,301  
DATED : SEPTEMBER 12, 1995  
INVENTOR(S) : HANNU KAHONEN

Page 1 of 5

It is certified that error appears in the above-identified patent and that said Letters Patent is hereby corrected as shown below:

The title page should delete to appear as per attached title page,  
Drawing Figures 1-5 should be deleted and replaced with the attached sheets  
consisting of figs 1-5.

Signed and Sealed this  
Eighteenth Day of June, 1996



*Attest:*

BRUCE LEHMAN

*Attesting Officer*

*Commissioner of Patents and Trademarks*



US00D362301S

**United States Patent** [19]

[11] **Patent Number: Des. 362,301**

**Kähönen**

[45] **Date of Patent: \*\* Sep. 12, 1995**

[54] **DOOR OF A FIREPLACE**

[56] **References Cited**

[75] **Inventor: Hannu Kähönen, Helsinki, Finland**

**FOREIGN PATENT DOCUMENTS**

53249 8/1984 Canada

[73] **Assignee: Tulikivi Oy, Jukka, Finland**

*Primary Examiner—Lisa P. Lichtenstein  
Attorney, Agent, or Firm—Ladas & Parry*

[\*\*] **Term: 14 Years**

[57] **CLAIM**

[21] **Appl. No.: 23,304**

The ornamental design for a door of a fireplace, as shown and described.

[22] **Filed: May 23, 1994**

**DESCRIPTION**

[30] **Foreign Application Priority Data**

Nov. 22, 1993 [FI] Finland ..... 773/93

[52] **U.S. Cl. .... D23/405; D23/350**

FIG. 1 is a top and front perspective view of a door of a fireplace showing my new design;

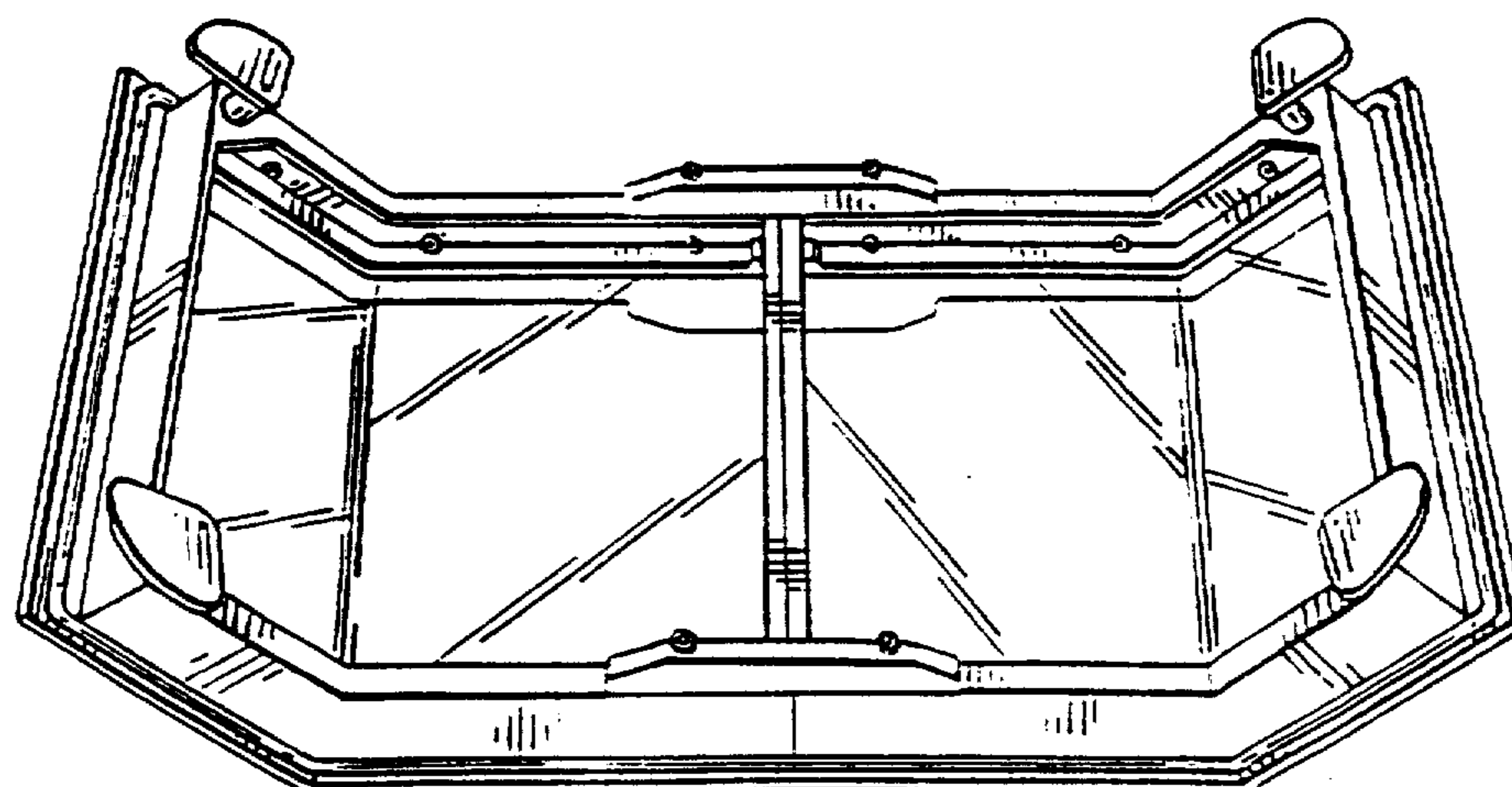
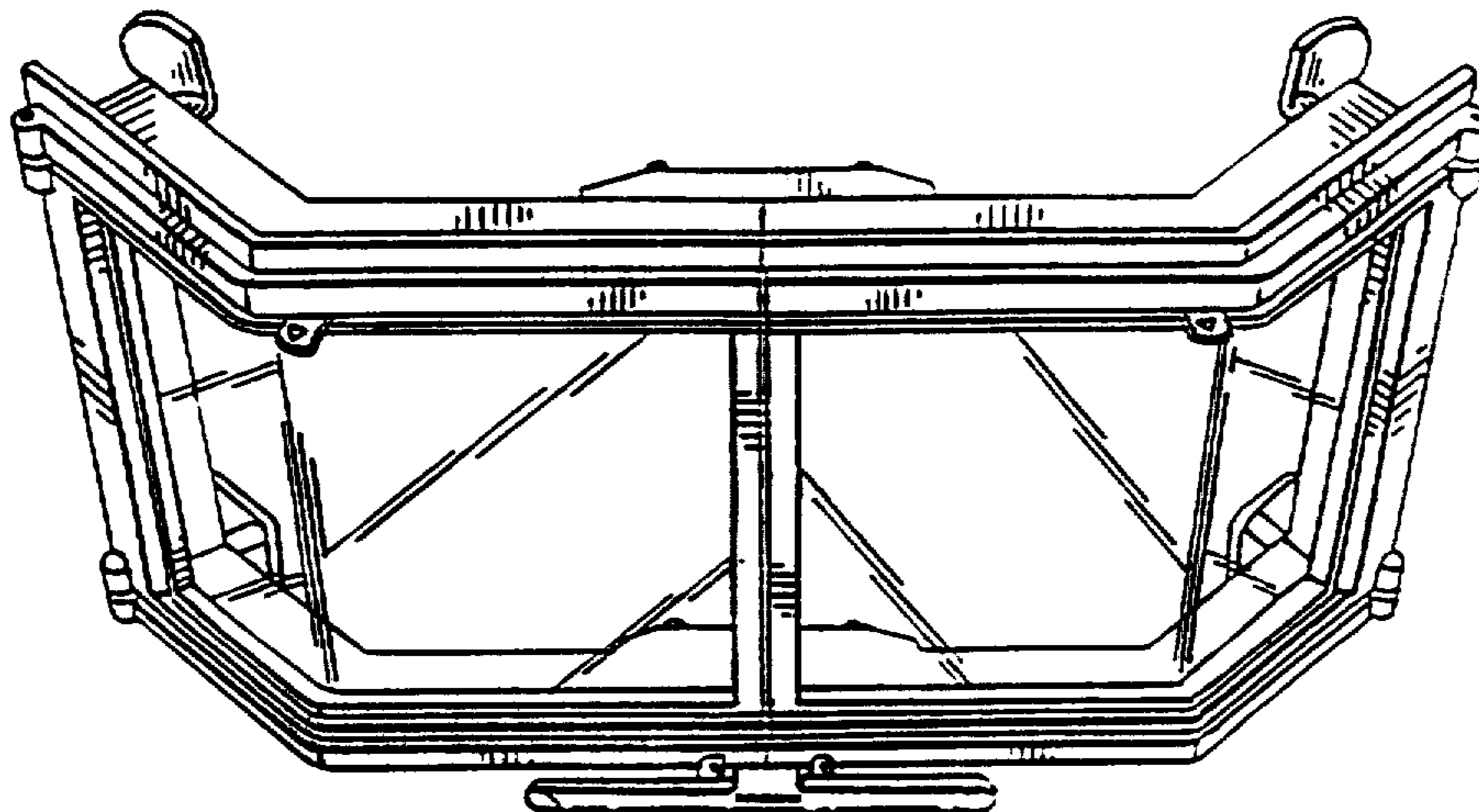
FIG. 2 is a bottom and rear perspective view thereof;

FIG. 3 is a bottom view thereof;

FIG. 4 is a left side elevation view thereof, the right side being a mirror image of that shown; and,

FIG. 5 is a front view thereof.

[58] **Field of Search ..... D23/405, 350, 343-347; 126/547, 544**



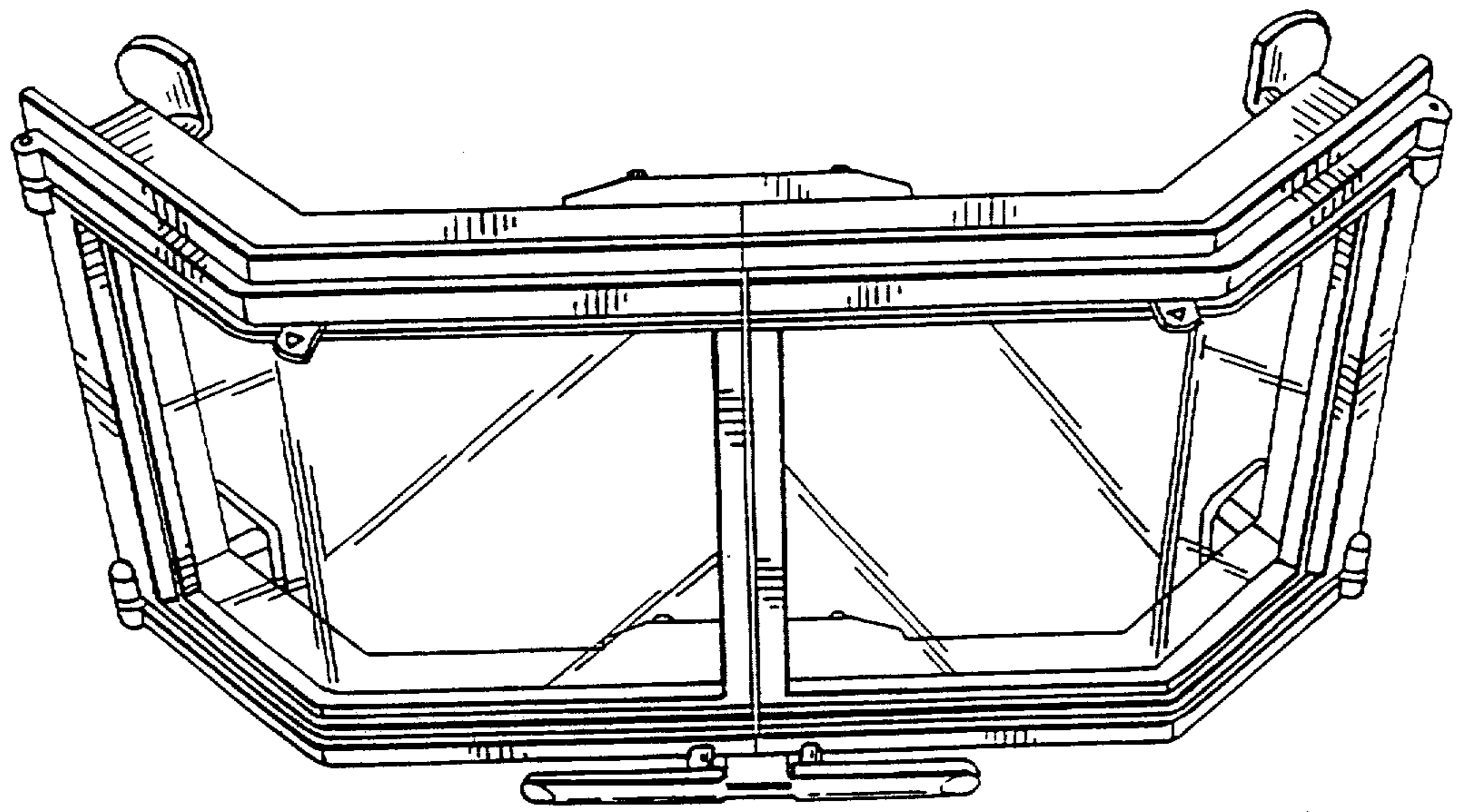


FIG. 1

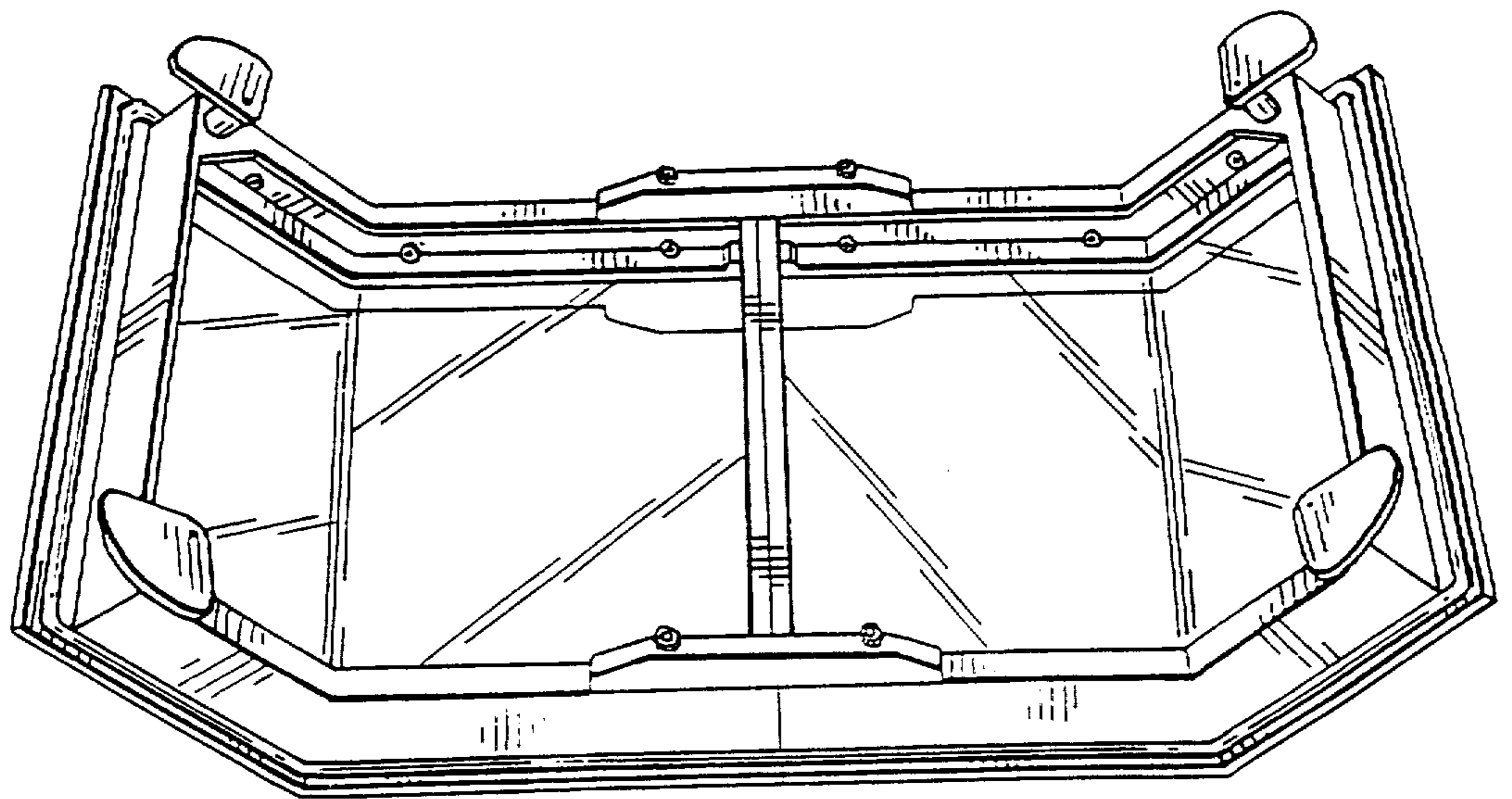


FIG. 2

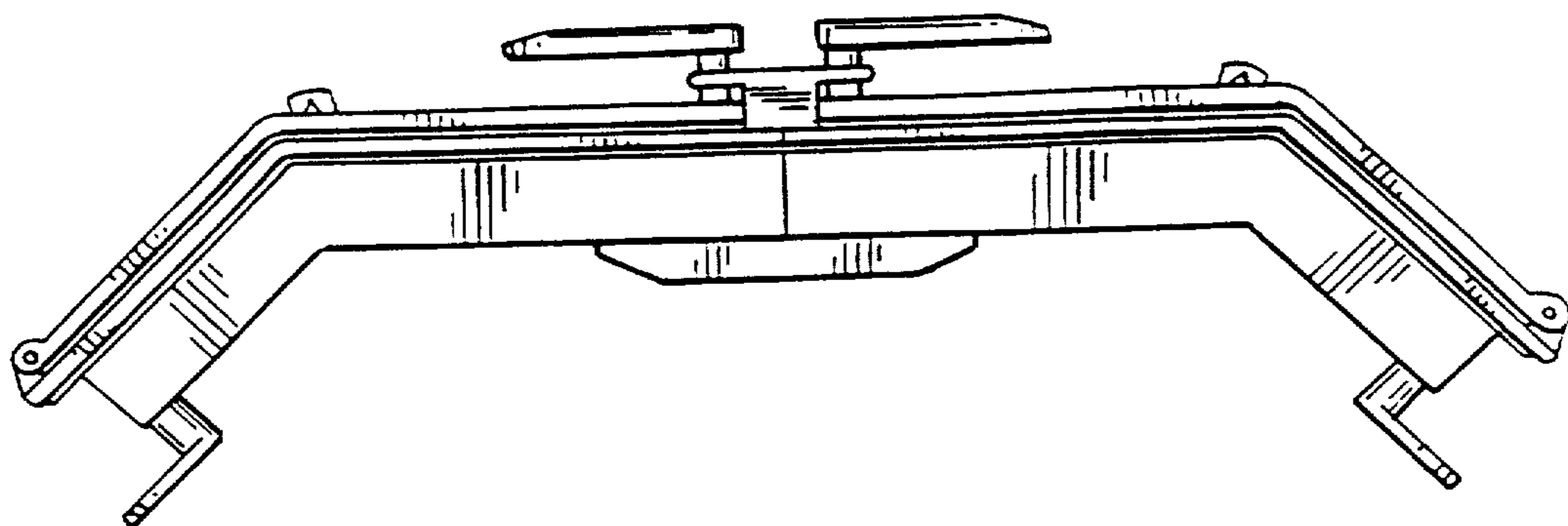


FIG. 3

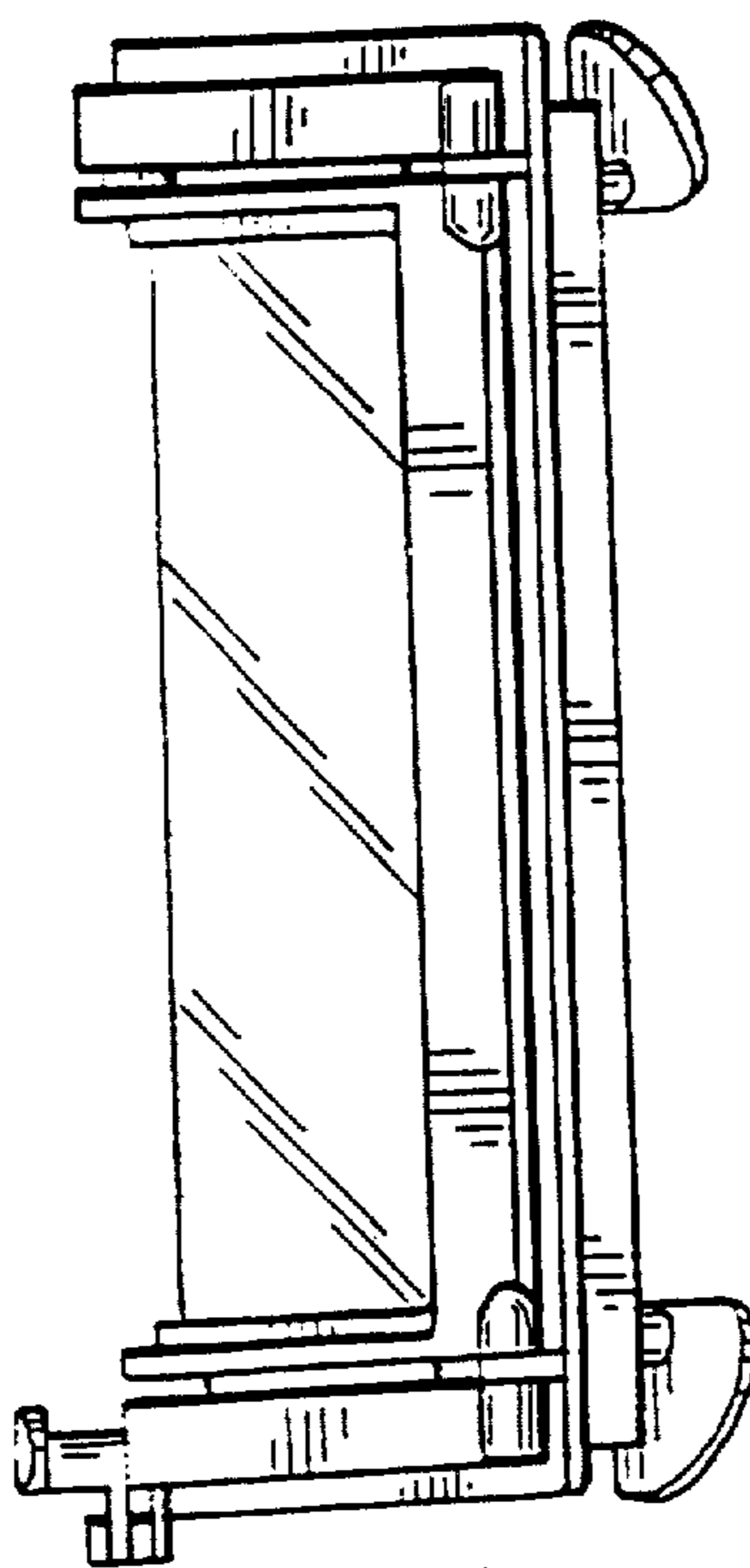


FIG. 4

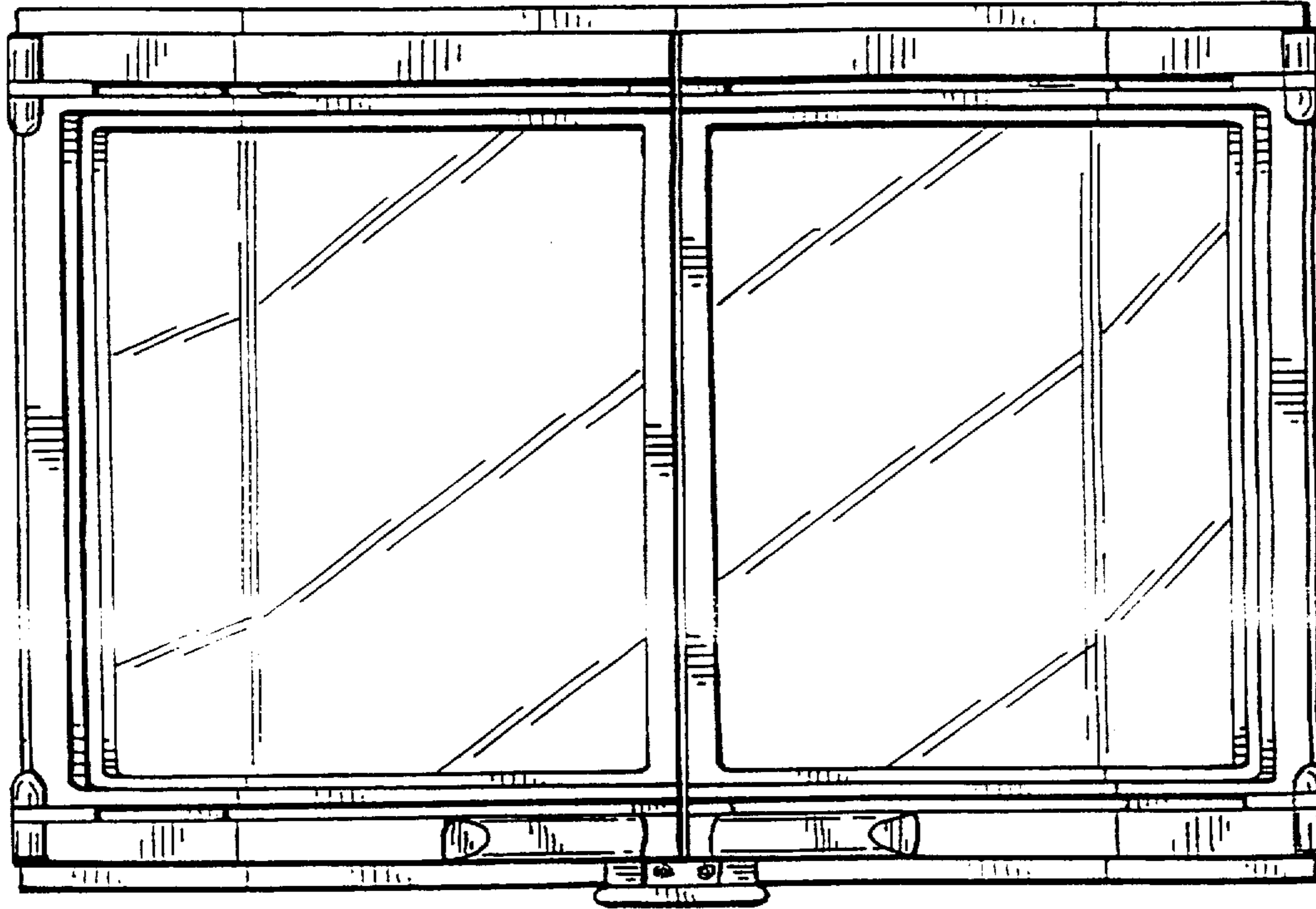


FIG. 5