



US00D362294S

# United States Patent [19]

[11] Patent Number: **Des. 362,294**

Skaer et al.

[45] Date of Patent: **\*\* Sep. 12, 1995**

[54] **VALVE BODY**

[75] Inventors: **Richard A. Skaer; Jose M. Robaina,**  
both of Simi Valley, Calif.

[73] Assignee: **ITT Corporation,** New York, N.Y.

[\*\*] Term: **14 Years**

[21] Appl. No.: **23,045**

[22] Filed: **May 17, 1994**

[52] U.S. Cl. .... **D23/233**

[58] Field of Search ..... **D23/233-237,**  
**D23/244-249; 137/883, 884; 251/329, 331**

[56] **References Cited**

**U.S. PATENT DOCUMENTS**

D. 218,032	7/1970	Mullins	.....	D23/247
D. 218,033	7/1970	Mullins	.....	D23/247
3,300,844	1/1967	Boteler	.....	251/331
4,505,451	3/1985	Jonas	.....	251/331 X

*Primary Examiner*—A. Hugo Word

*Assistant Examiner*—Eric Watterson  
*Attorney, Agent, or Firm*—Menotti J. Lombardi

[57] **CLAIM**

The ornamental design for a valve body, as shown and described.

**DESCRIPTION**

FIG. 1 is a top, front, and right side perspective of a valve body showing our new design;

FIG. 2 is a top, rear, and left side perspective view body showing our new design;

FIG. 3 is a planar right side view thereof with actuators shown in dashed lines assembled to the body;

FIG. 4 is a planar left view thereof, with actuators shown in dashed lines assembled to the body;

FIG. 5 is a front elevation view thereof, the rear elevation view being a mirror image;

FIG. 6 is a top plan view thereof; and,

FIG. 7 is a bottom plan view thereof.

The broken line showing is for illustrative purposes only and forms no part of the claimed design.

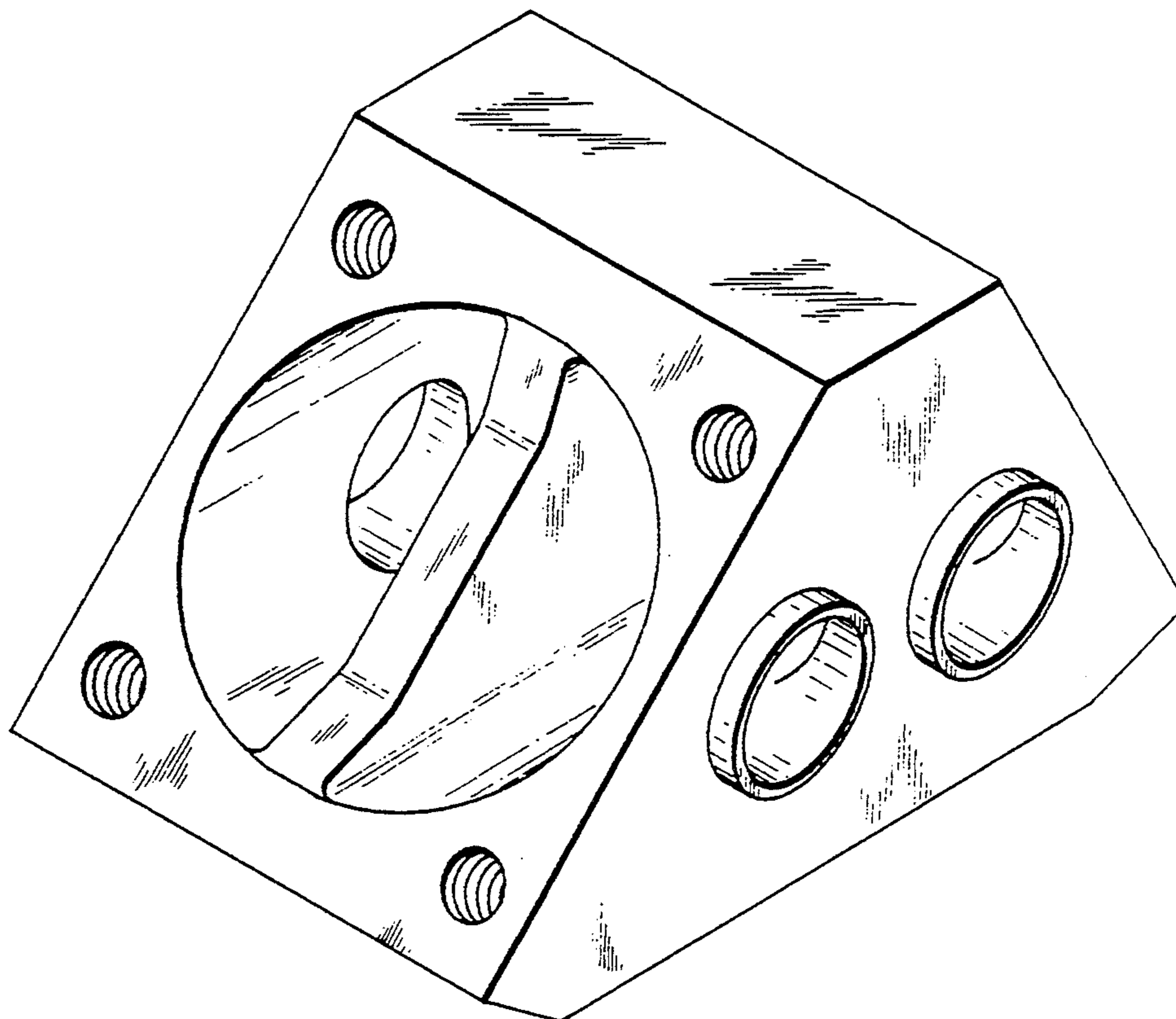


FIG. 1

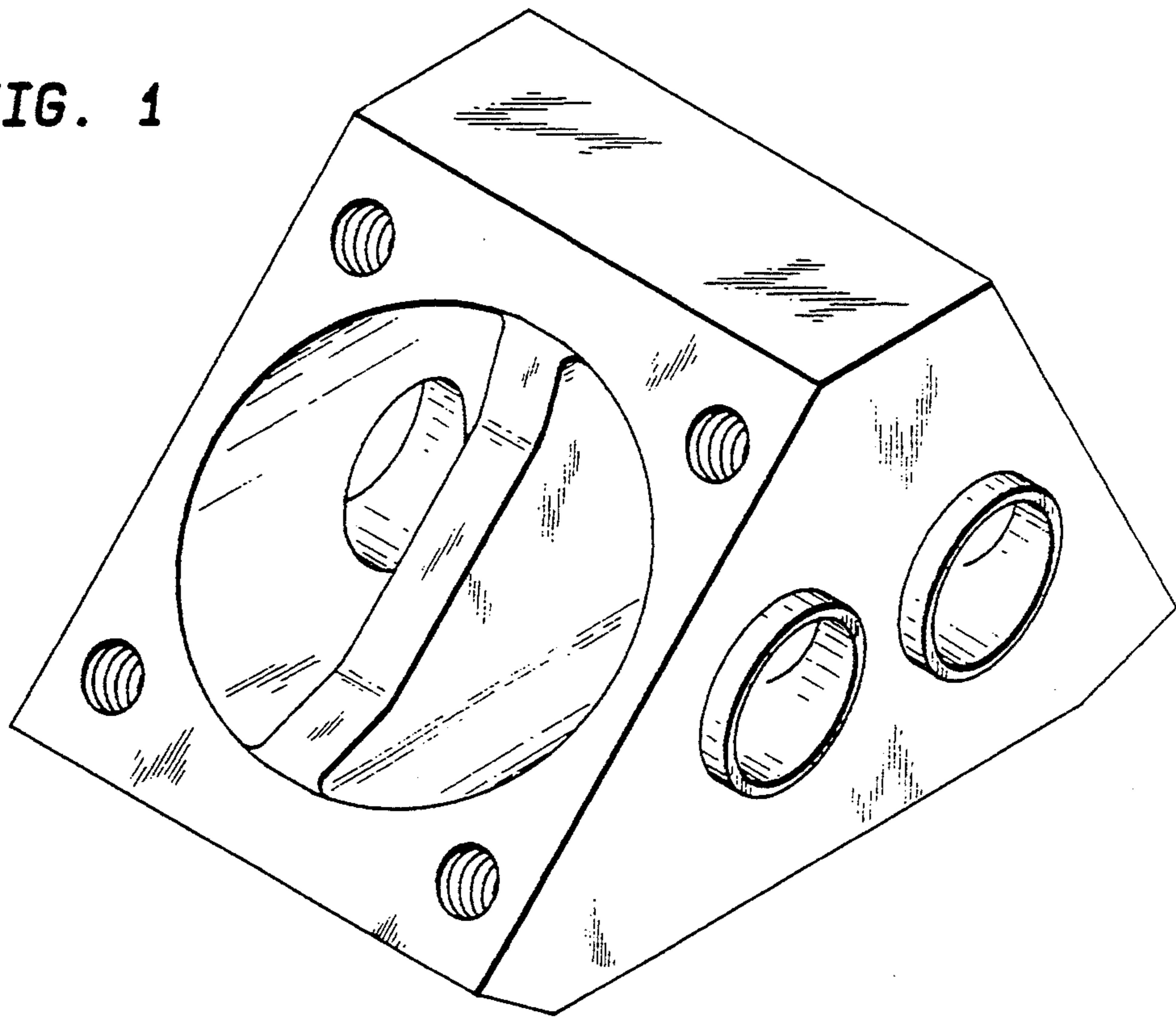
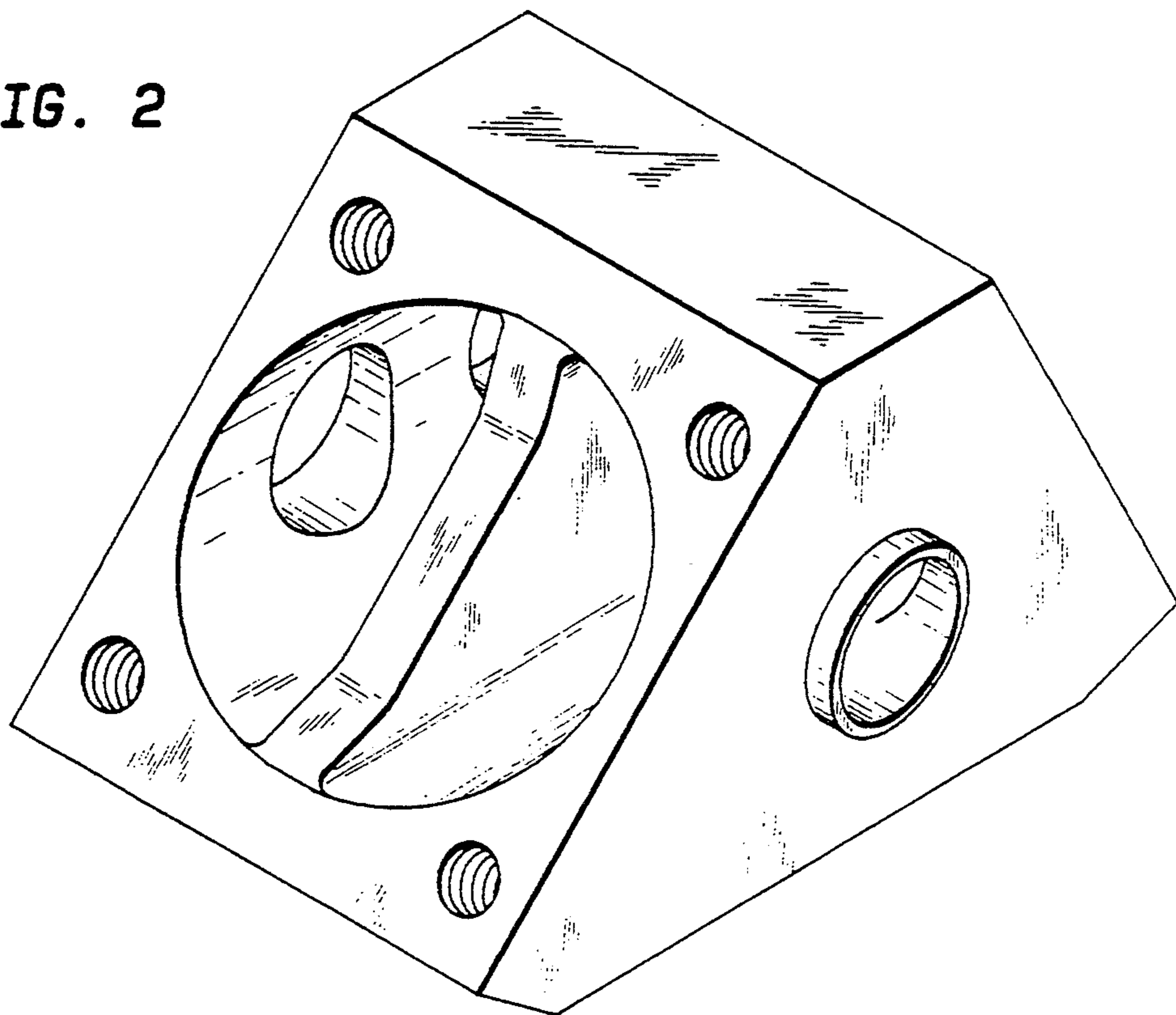


FIG. 2



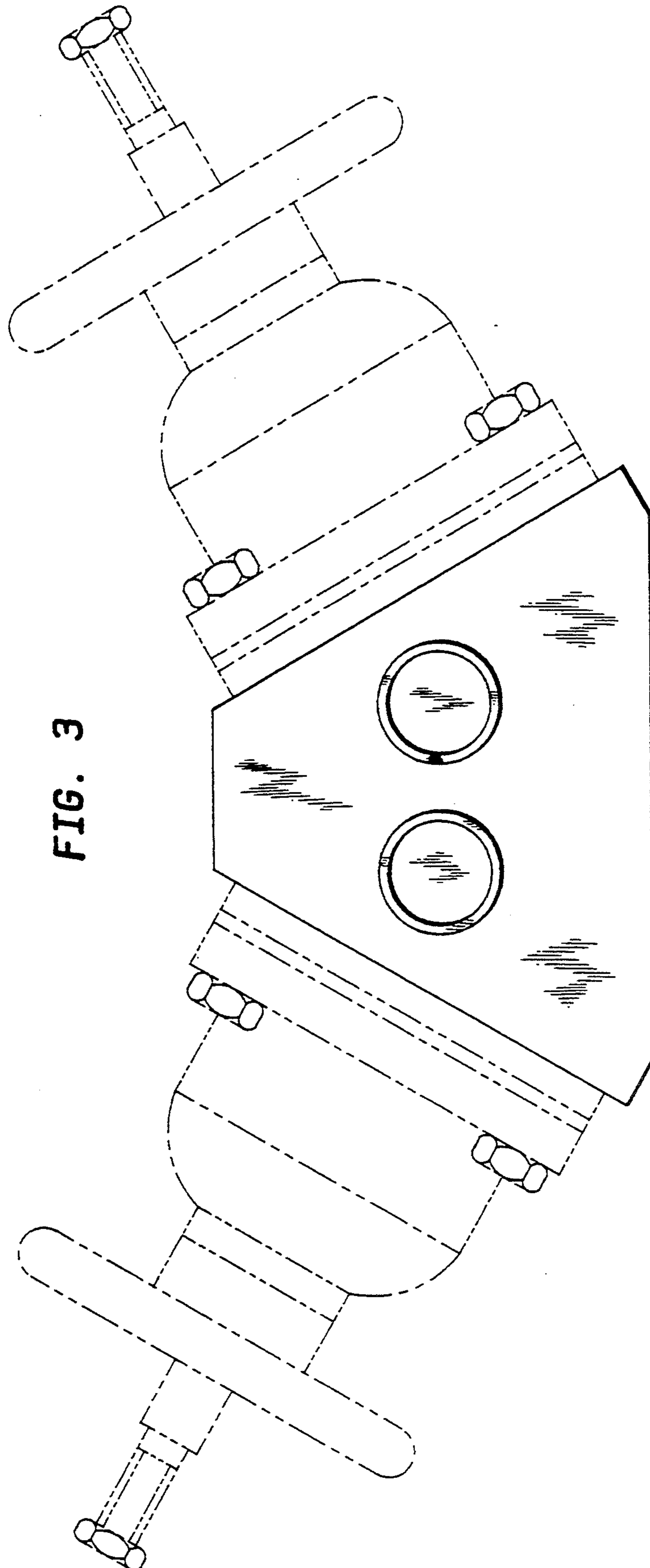


FIG. 3

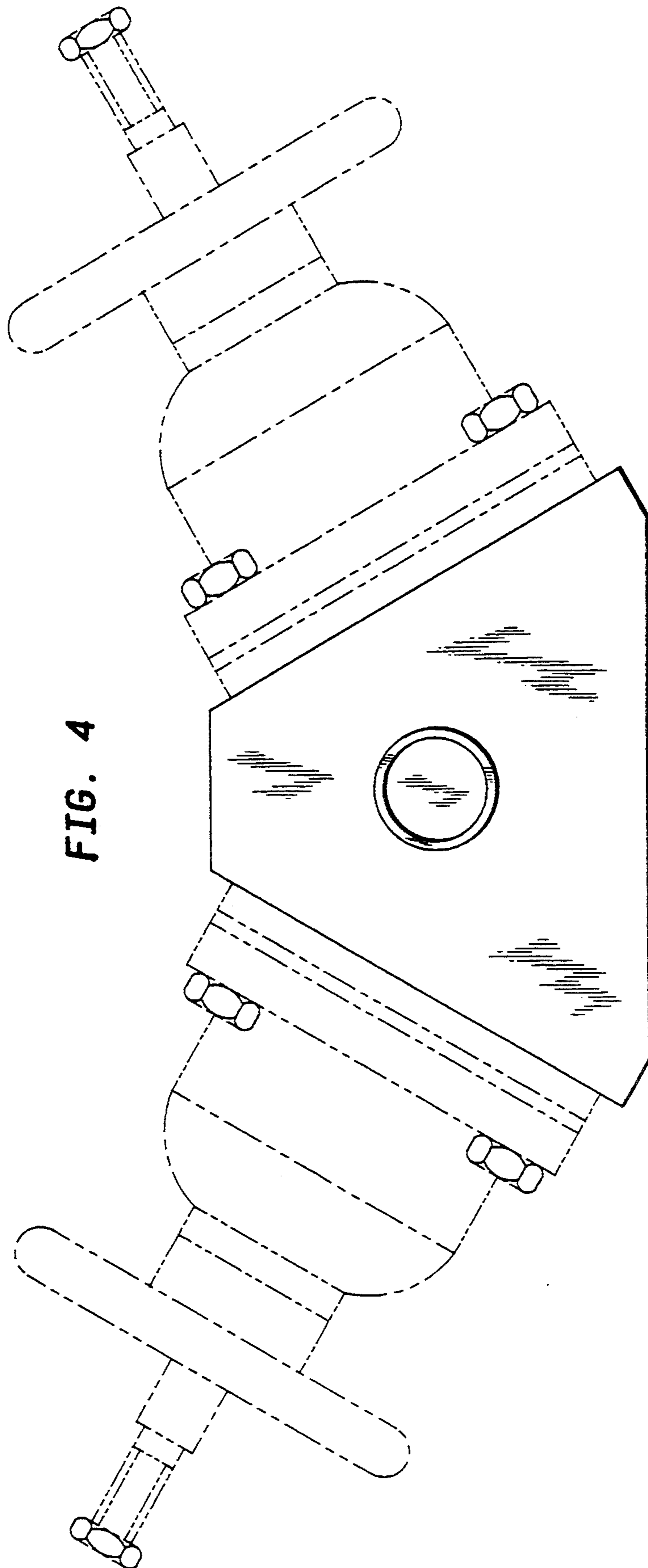


FIG. 4

FIG. 5

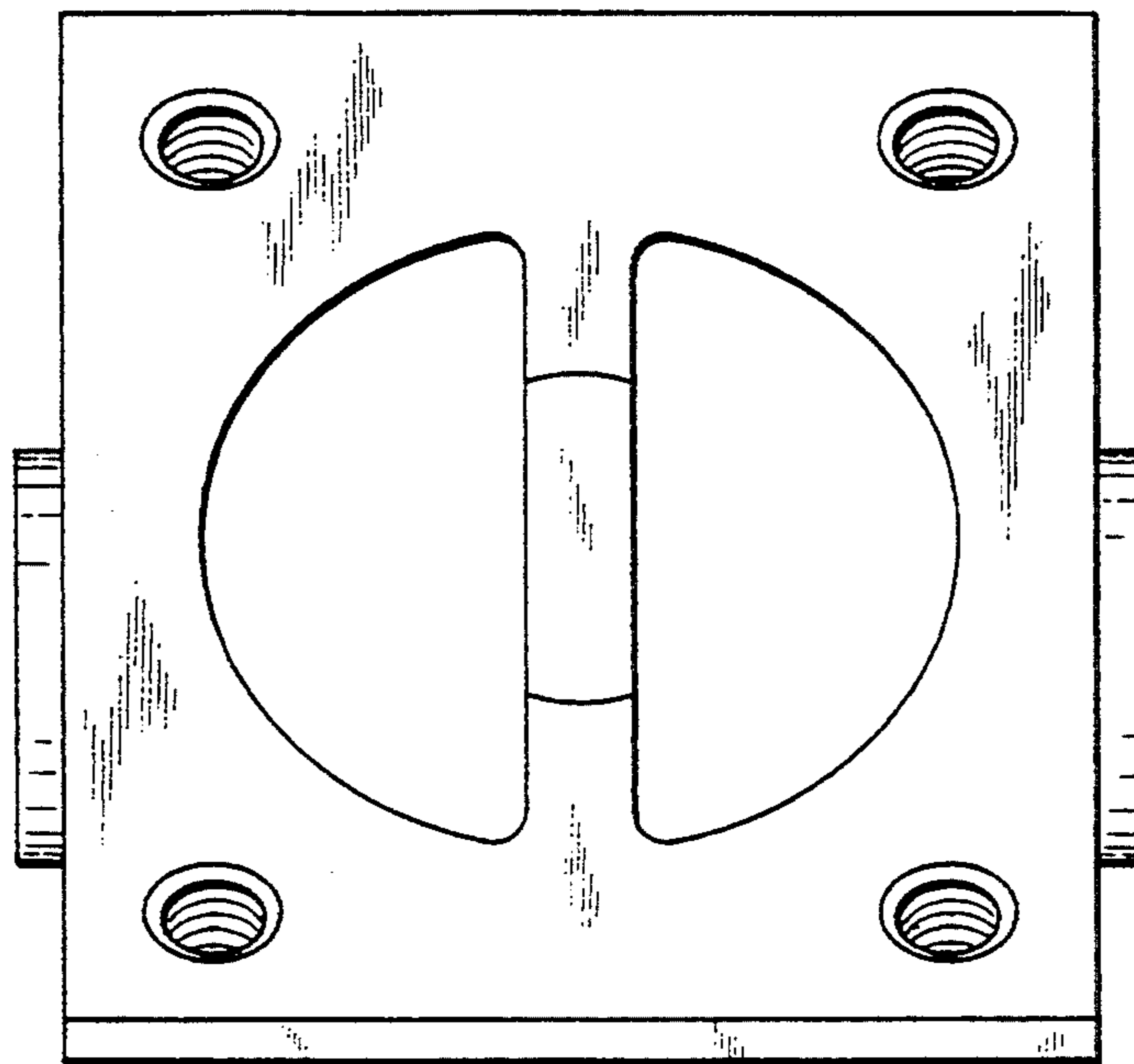


FIG. 7

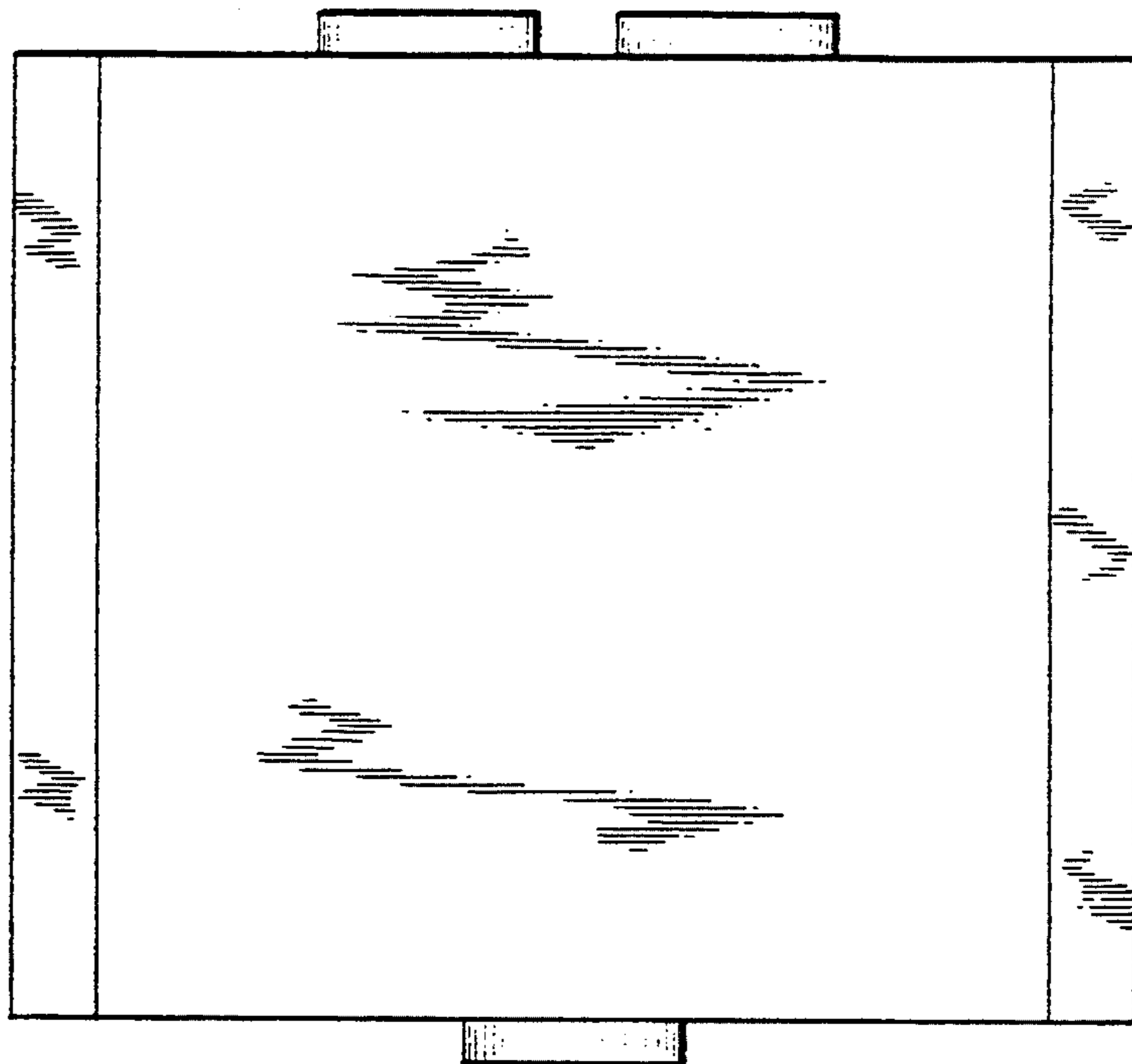


FIG. 6

