



US00D362292S

United States Patent [19]

[11] Patent Number: **Des. 362,292**

Pinch et al.

[45] Date of Patent: **** Sep. 12, 1995**

[54] CHILD SWING HANDLE

[75] Inventors: **Daniel R. Pinch, Hope; Dennis M. Turner, Scipio, both of Ind.**

[73] Assignee: **Cosco, Inc., Columbus, Ind.**

[**] Term: **14 Years**

[21] Appl. No.: **33,760**

[22] Filed: **Jan. 19, 1995**

3,806,117	4/1974	Foster	472/119
4,165,872	8/1979	Saint .	
4,323,233	4/1982	Gebhard .	
4,452,446	6/1984	Saint .	
4,589,657	5/1986	Saint .	
4,616,824	10/1986	Quinlan, Jr. et al. .	
4,807,872	2/1989	Spilman et al. .	
5,083,773	1/1992	Saint .	
5,139,462	8/1992	Gabe .	

FOREIGN PATENT DOCUMENTS

738233	7/1966	Canada	472/119
--------	--------	--------------	---------

Related U.S. Application Data

[62] Division of Ser. No. 17,751, Jan. 21, 1994, Pat. No. Des. 356,848, which is a division of Ser. No. 941,933, Sep. 15, 1992, Pat. No. Des. 345,777.

[52] U.S. Cl. **D21/246; D6/344**

[58] Field of Search **D21/246-250, D21/244; 472/118-125, 137; D6/344-348; 185/39, 40 C, 44**

OTHER PUBLICATIONS

Gym-Dandy Sesame Street Indoor/Outdoor Fun Center® No. 752, Best Products Buyer Book No. 117, 1974, p. 372, Items A through C.

Primary Examiner—Prabhakar G. Deshmukh
Attorney, Agent, or Firm—Barnes & Thornburg

[56] References Cited

U.S. PATENT DOCUMENTS

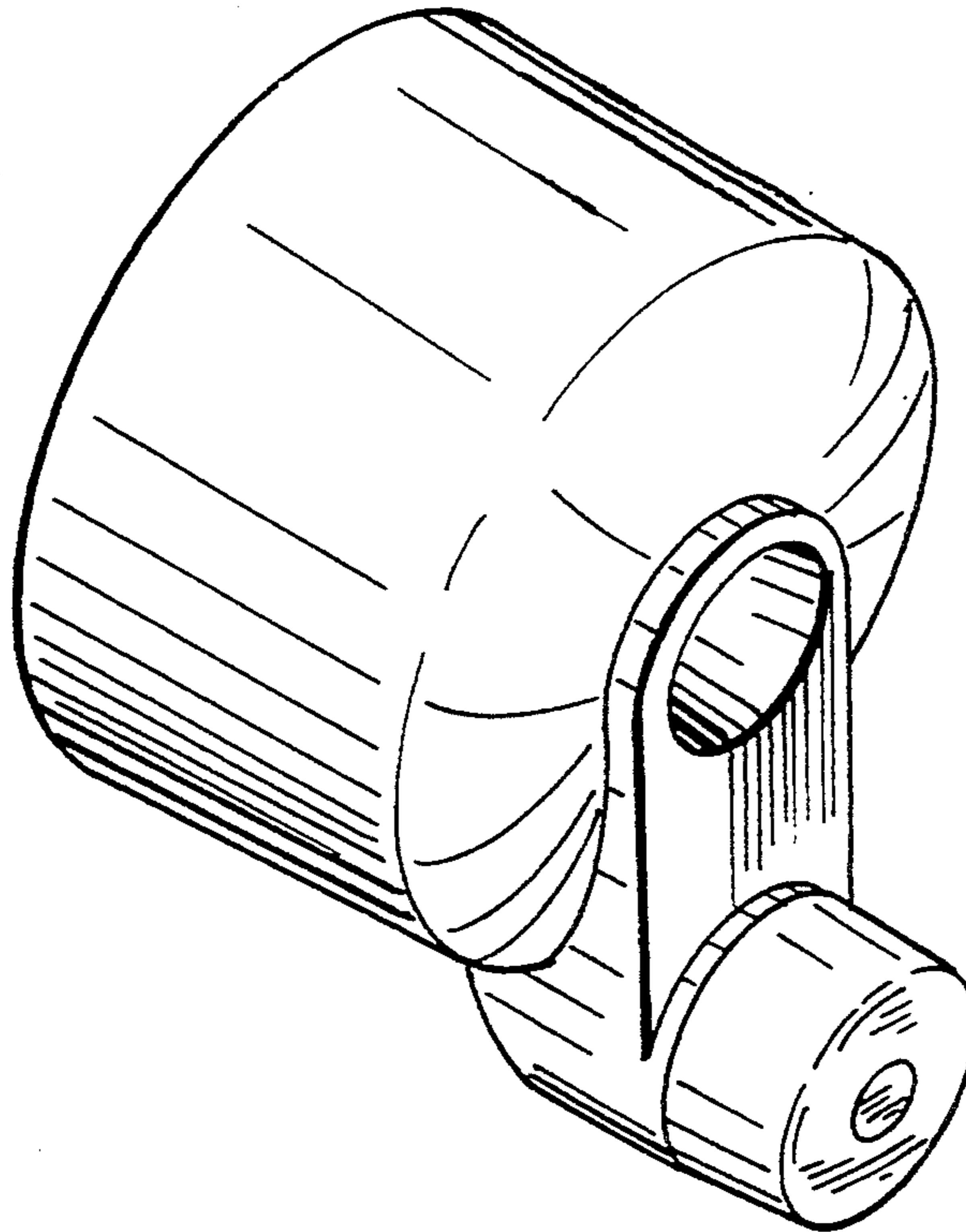
D. 228,433	9/1973	Saint	D6/347
D. 229,130	11/1973	Foster	D6/347
D. 264,148	5/1982	Gebhard .	
D. 298,187	10/1988	Lacewell .	
2,975,866	3/1961	Worthington .	
3,166,287	1/1965	Pasqua	472/119 X
3,256,016	6/1966	Berlin .	
3,361,405	1/1968	Gottlieb	472/119 X
3,459,423	8/1969	Meade	472/119
3,667,756	6/1972	Barrett .	

[57] CLAIM

The ornamental design for a child swing handle, as shown and described.

DESCRIPTION

FIG. 1 is a perspective view of a first embodiment of a child swing handle showing our new design; FIG. 2 is a front elevational view thereof; FIG. 3 is a left-side elevational view thereof; FIG. 4 is a top plan view thereof; FIG. 5 is a bottom plan view thereof; and, FIG. 6 is a perspective view of a second embodiment of a child swing handle showing our new design.



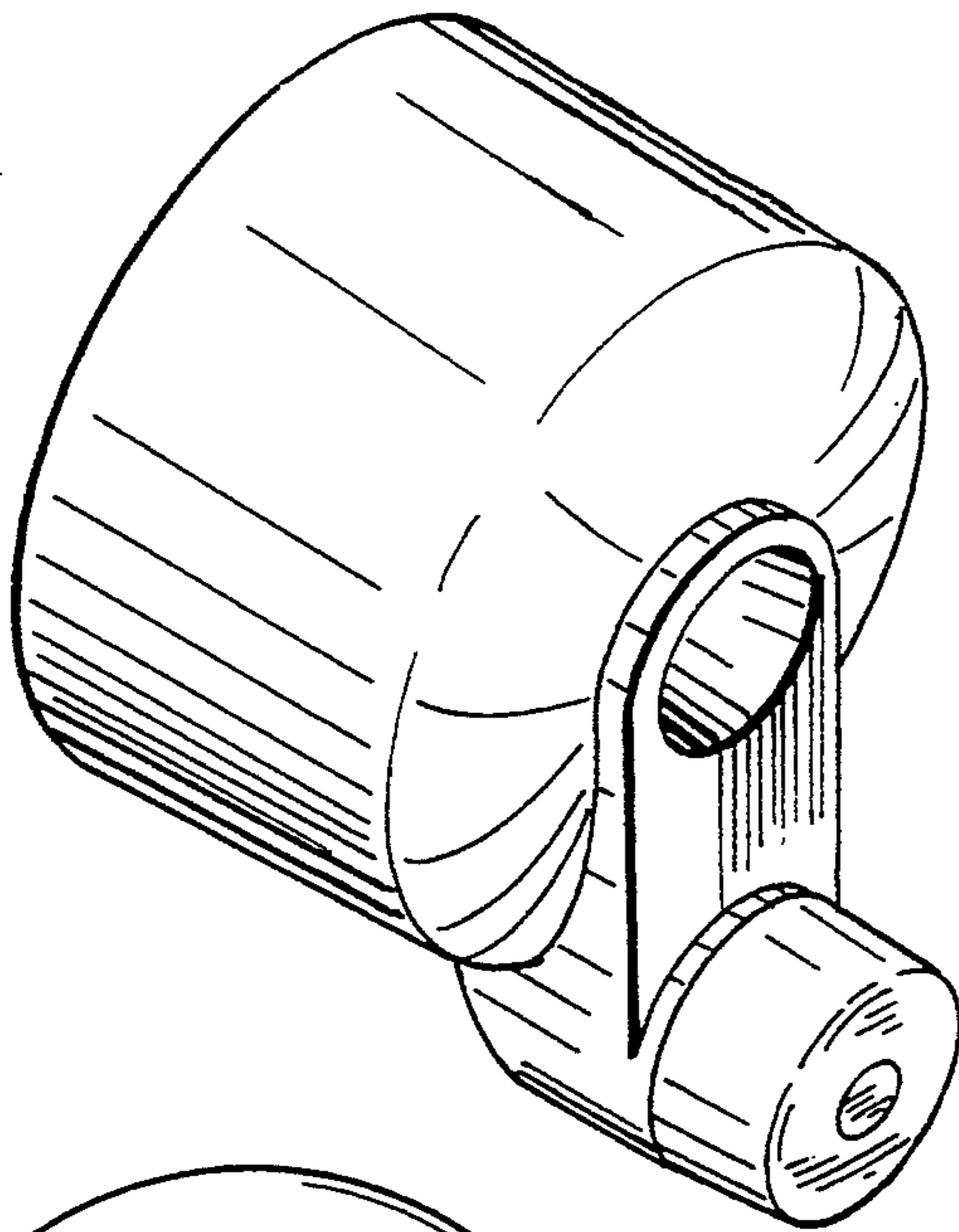


FIG. 1

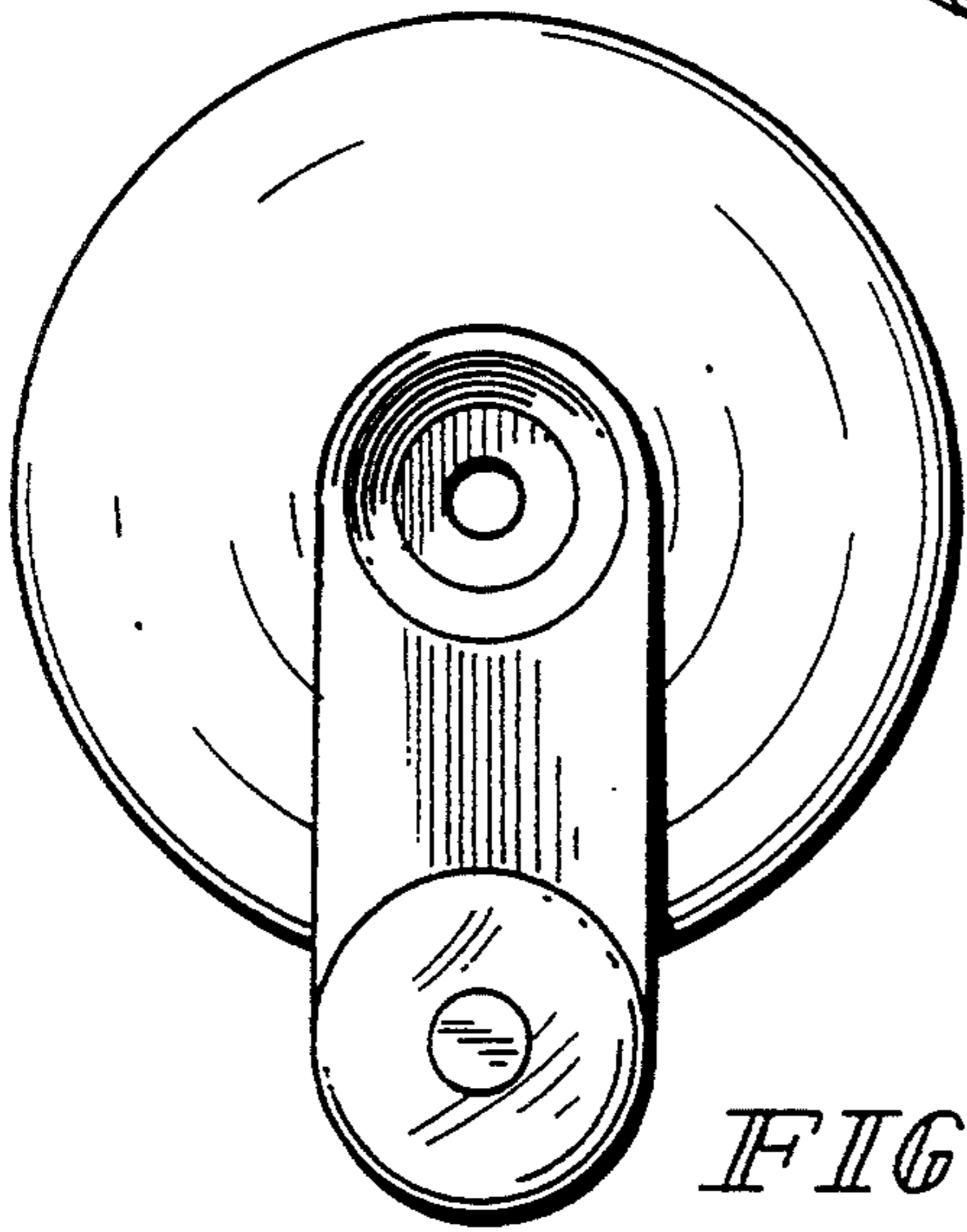


FIG. 2

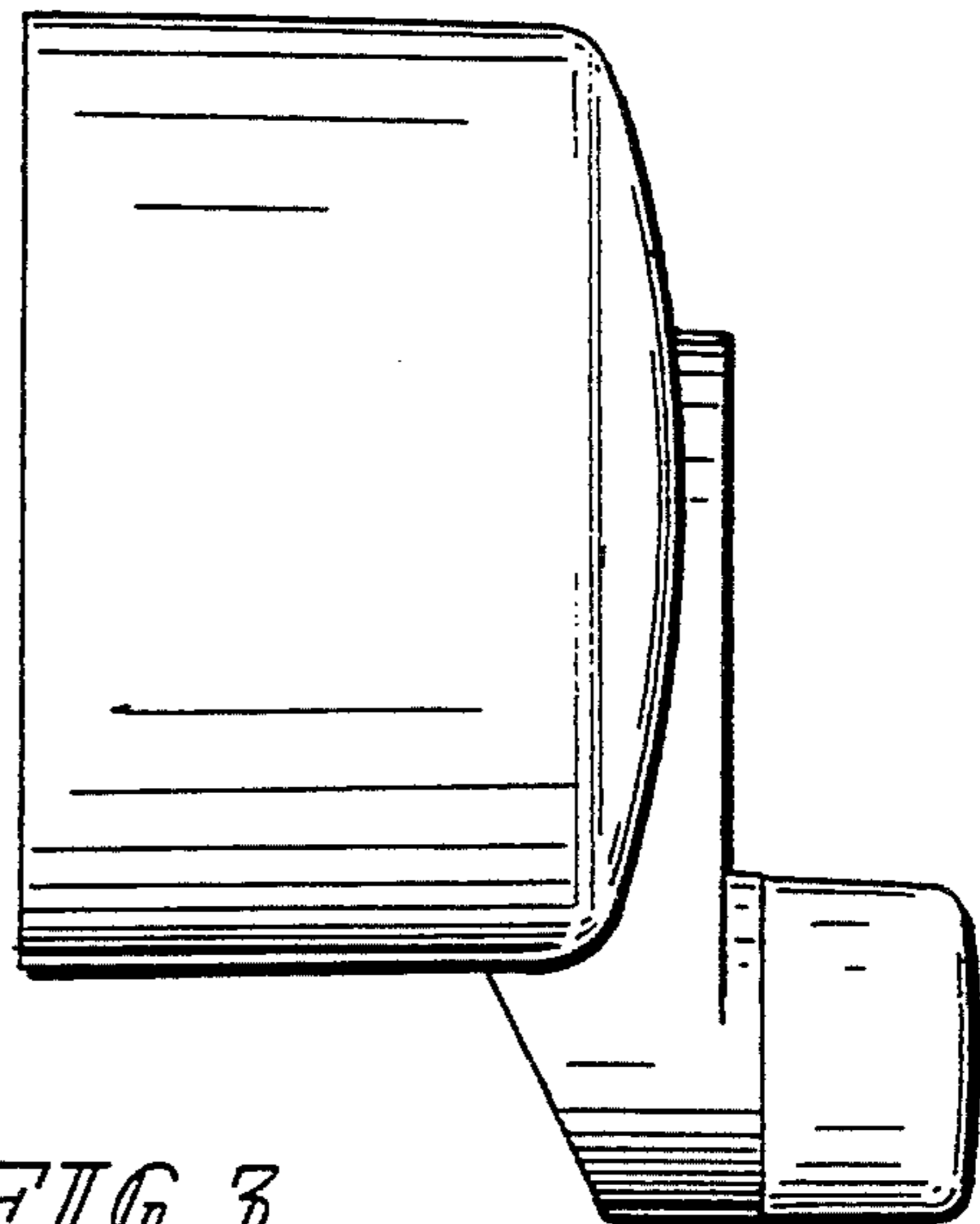


FIG. 3

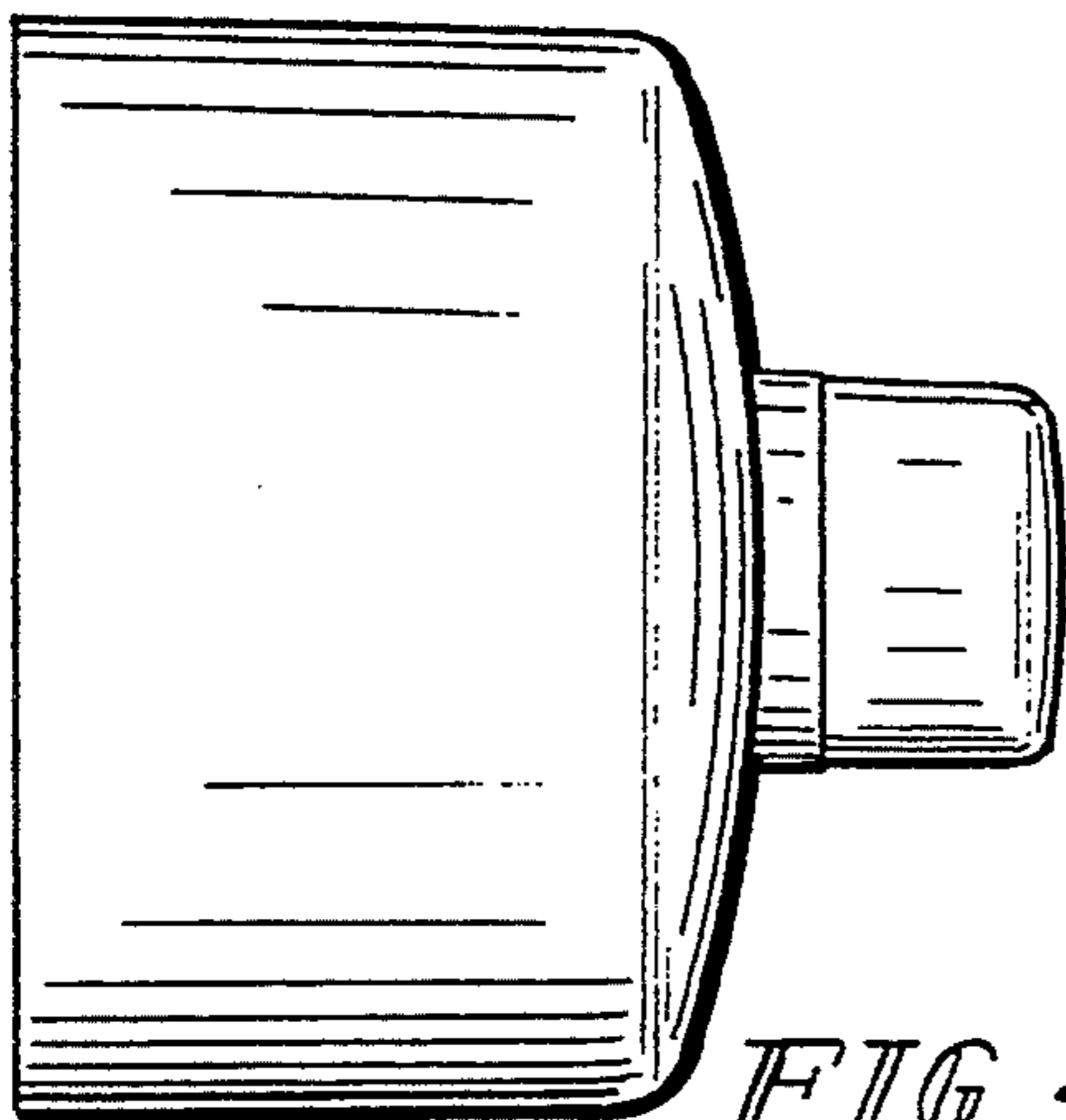


FIG. 4

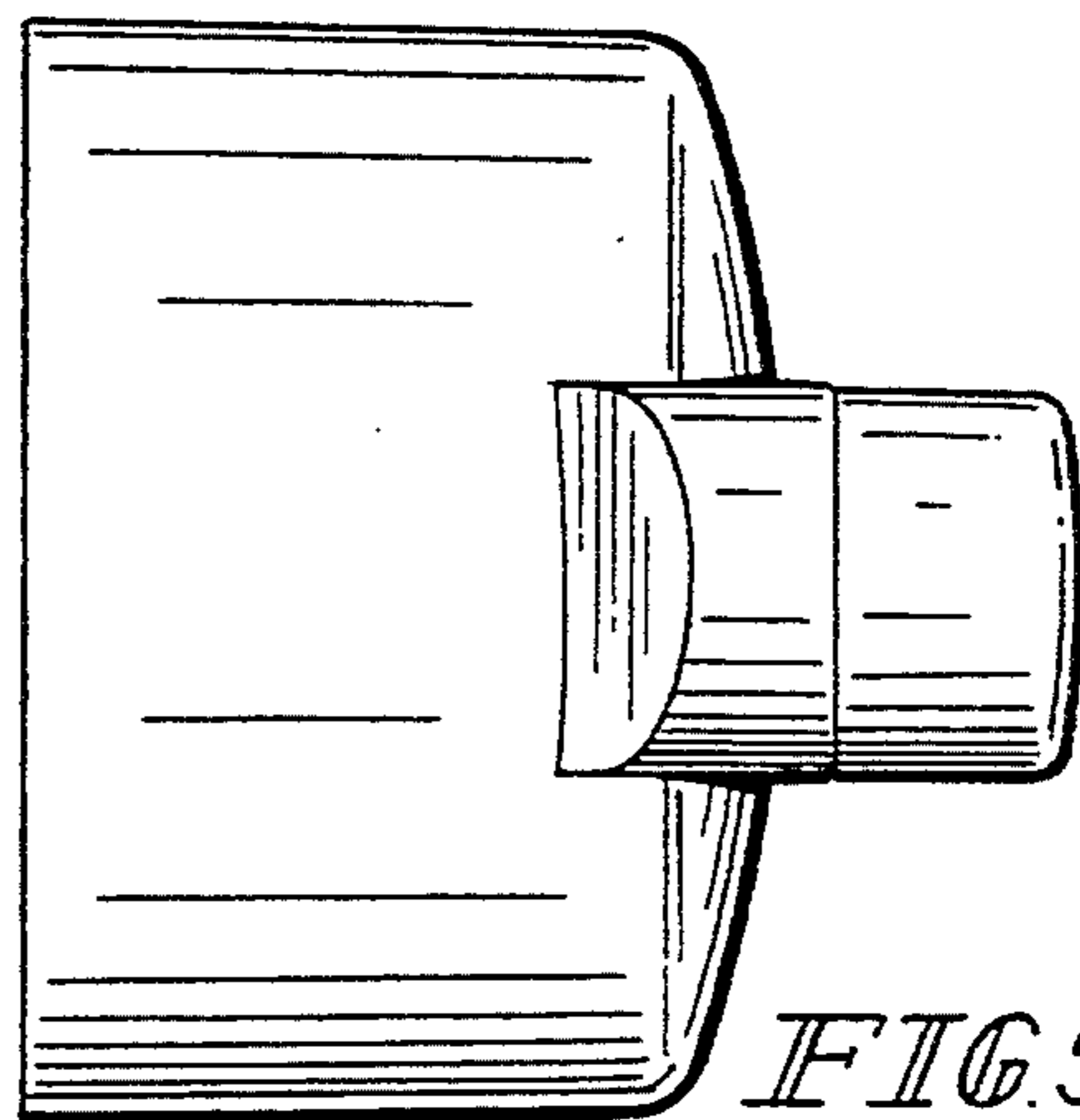


FIG. 5

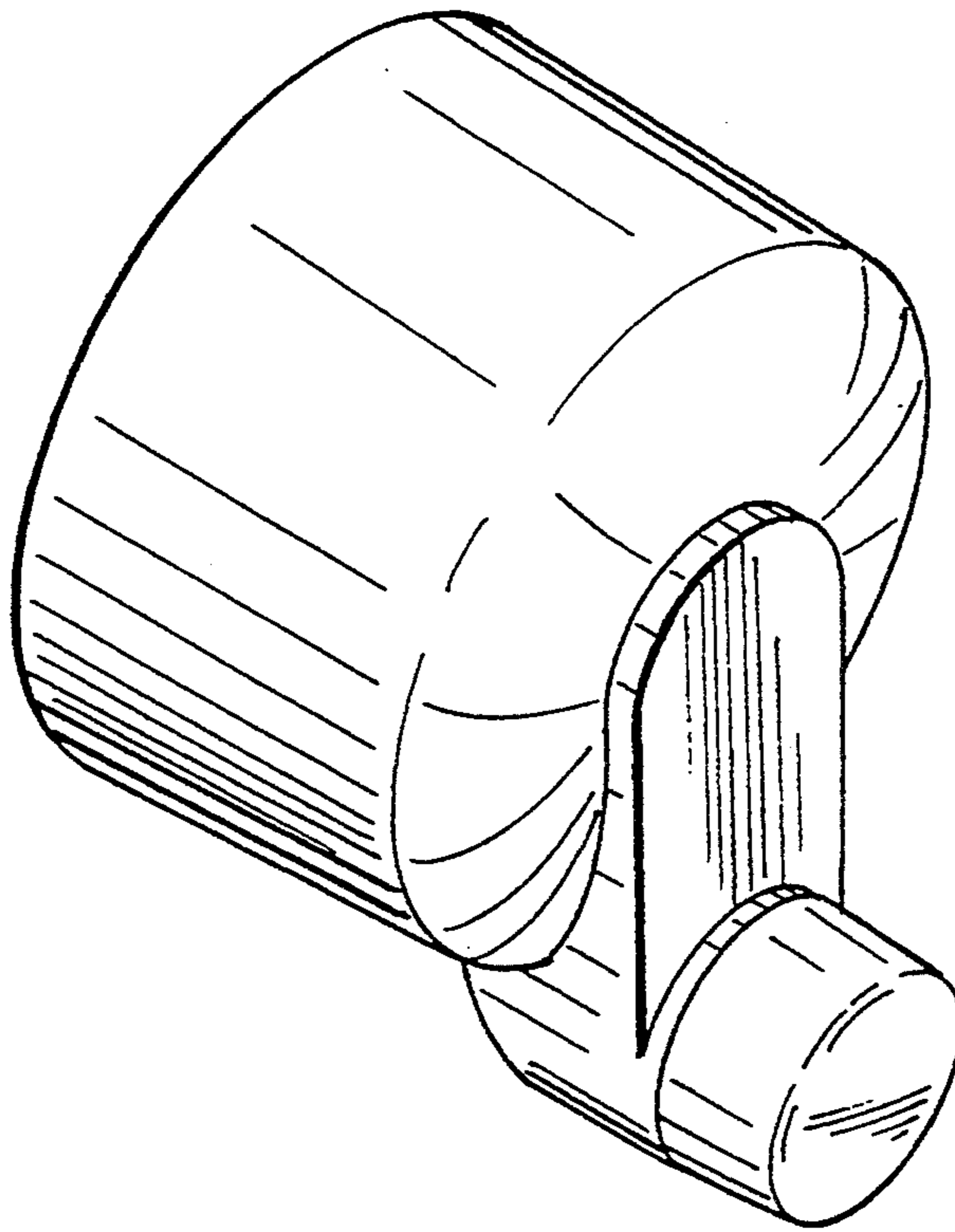


FIG. 6