



US00D362283S

# United States Patent [19]

[11] Patent Number: **Des. 362,283**

Lee

[45] Date of Patent: **\*\* Sep. 12, 1995**

[54] **ROWING MACHINE EXERCISER**

[76] Inventor: **Long-Huei Lee**, No. 1, Lane 1561,  
Sec. 1, Chung-San Rd., 437, Ta-Chia  
Chen, Taichung Hsien, Taiwan

[\*\*] Term: **14 Years**

[21] Appl. No.: **28,057**

[22] Filed: **Sep. 6, 1994**

[52] U.S. Cl. .... **D21/195**

[58] Field of Search ..... **D21/195, 191; 482/72,**  
**482/73, 51, 133, 135, 142**

D. 291,923 9/1987 Smith et al. .... D21/195  
 D. 297,853 9/1988 Ostrom ..... D21/195  
 D. 306,750 3/1990 Kiiski ..... D21/195  
 4,743,010 5/1988 Geraci ..... 482/72  
 4,974,832 12/1990 Dalebout ..... 482/72

*Primary Examiner*—Prabhakar G. Deshmukh  
*Assistant Examiner*—Philip Hyder  
*Attorney, Agent, or Firm*—Cushman Darby & Cushman

### [57] CLAIM

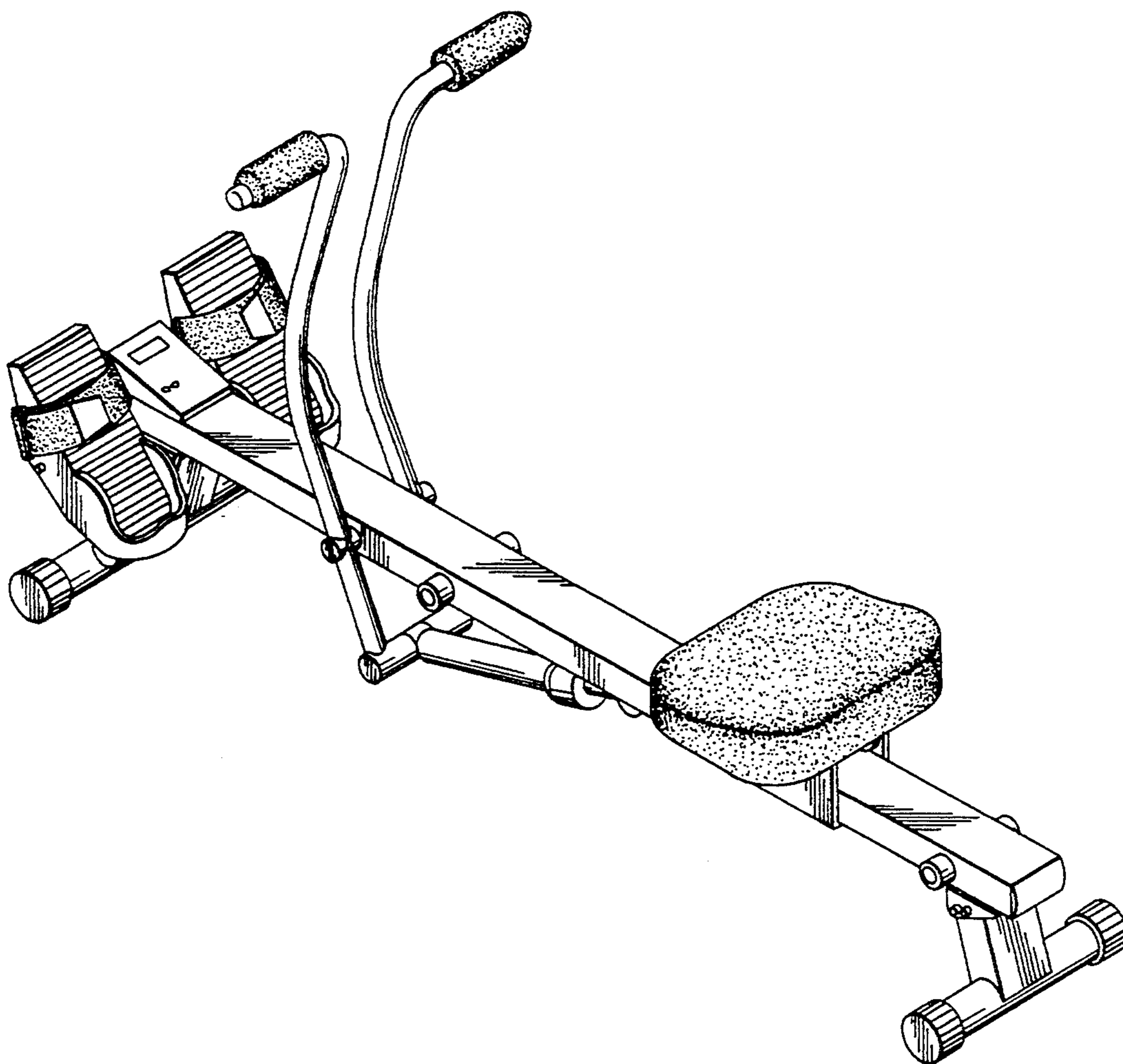
The ornamental design for a rowing machine exercise, as shown and described.

### DESCRIPTION

FIG. 1 is a perspective view of rowing machine exerciser showing my new design;  
 FIG. 2 is a front elevational view thereof;  
 FIG. 3 is a rear elevational view thereof;  
 FIG. 4 is a left side elevational view thereof;  
 FIG. 5 is a right side elevational view thereof;  
 FIG. 6 is a top plan view thereof; and,  
 FIG. 7 is a bottom view thereof.

[56] **References Cited**  
**U.S. PATENT DOCUMENTS**

D. 268,194 3/1983 Smith ..... D21/195  
 D. 268,278 3/1983 Smith ..... D21/195  
 D. 277,304 1/1985 Smith et al. .... D21/195  
 D. 285,472 9/1986 Grenomprez ..... D21/195  
 D. 287,388 12/1986 Cheng ..... D21/195  
 D. 287,389 12/1986 Nadeau ..... D21/195



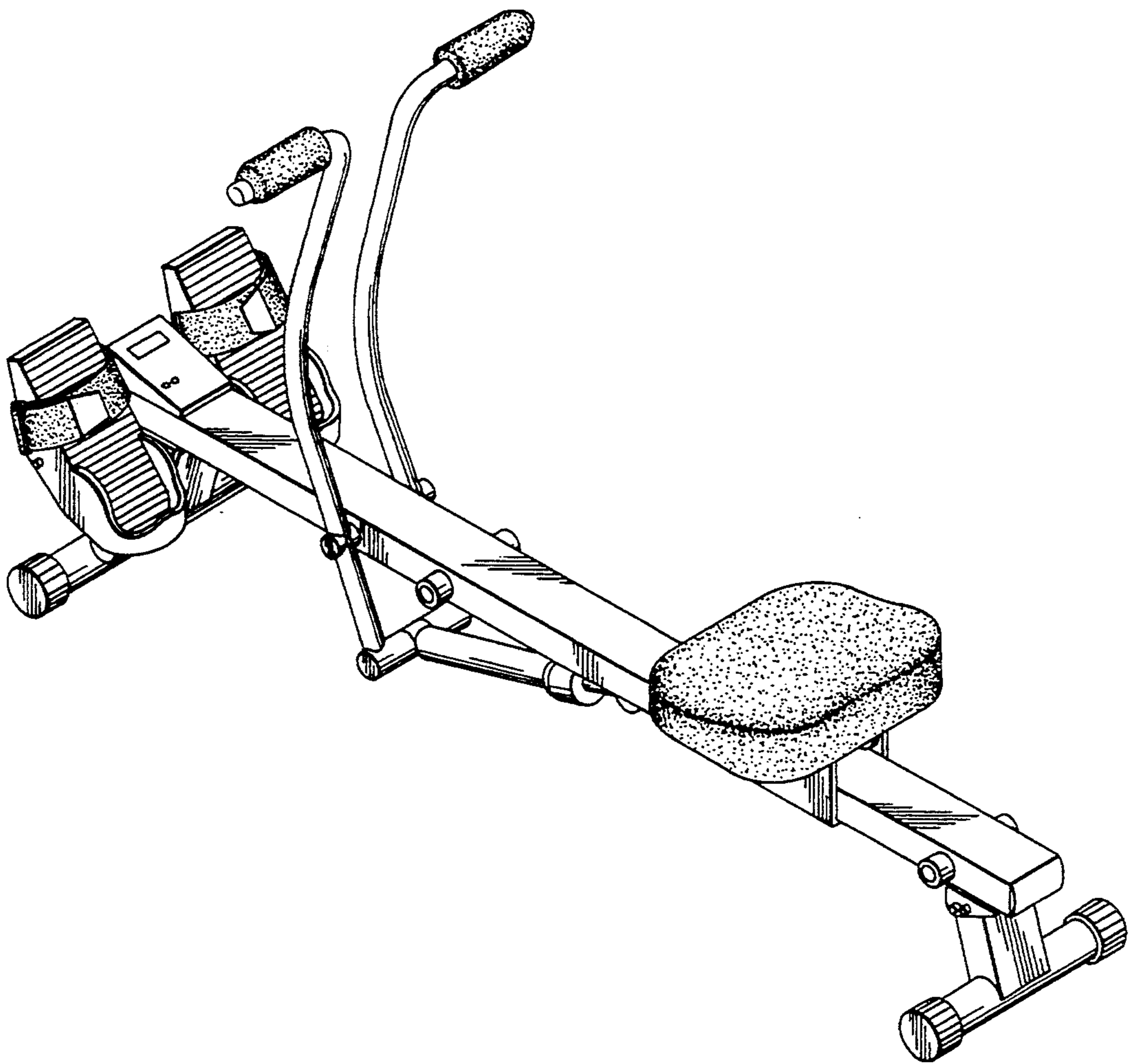


FIG. 1

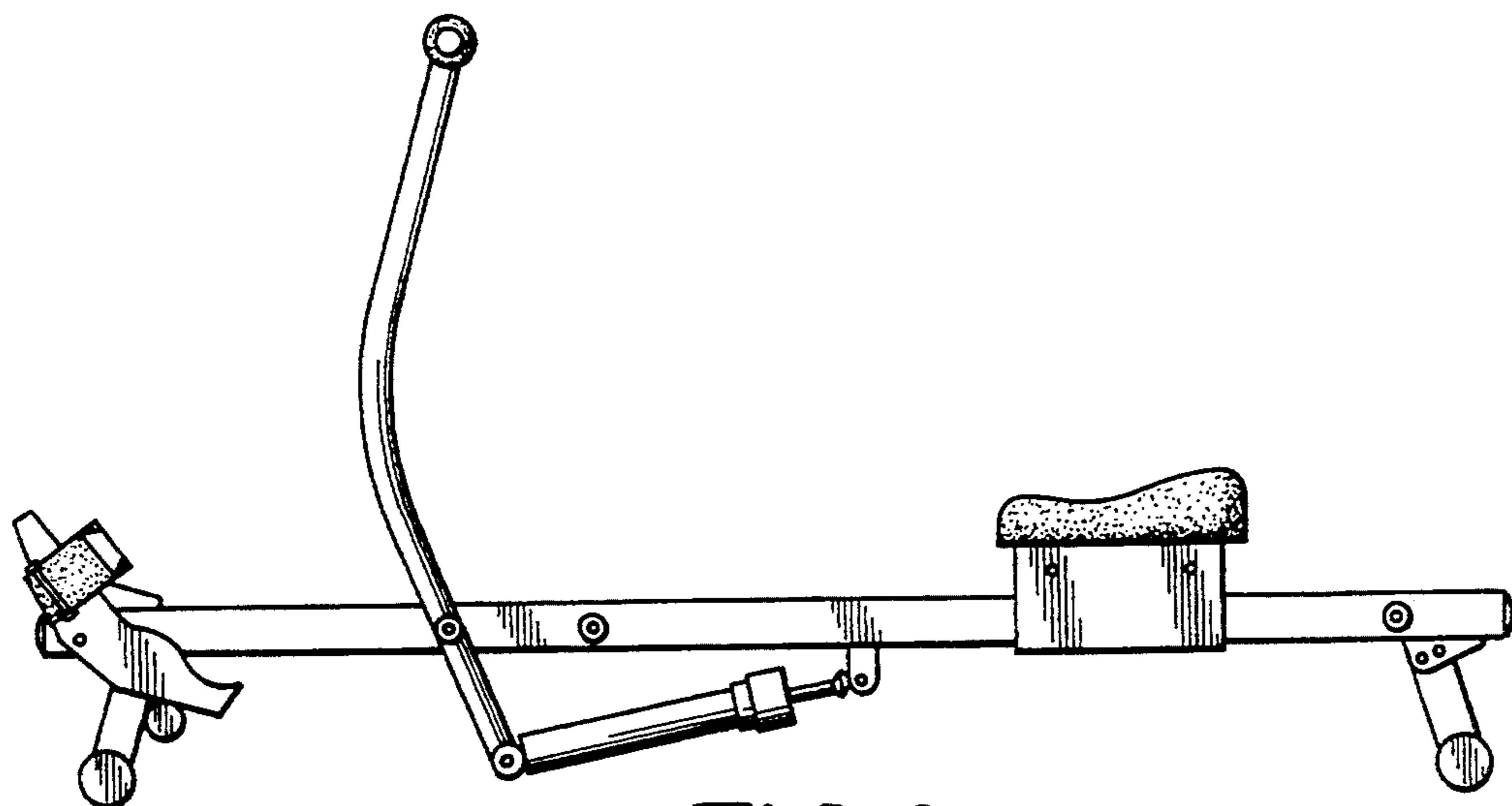


FIG. 2

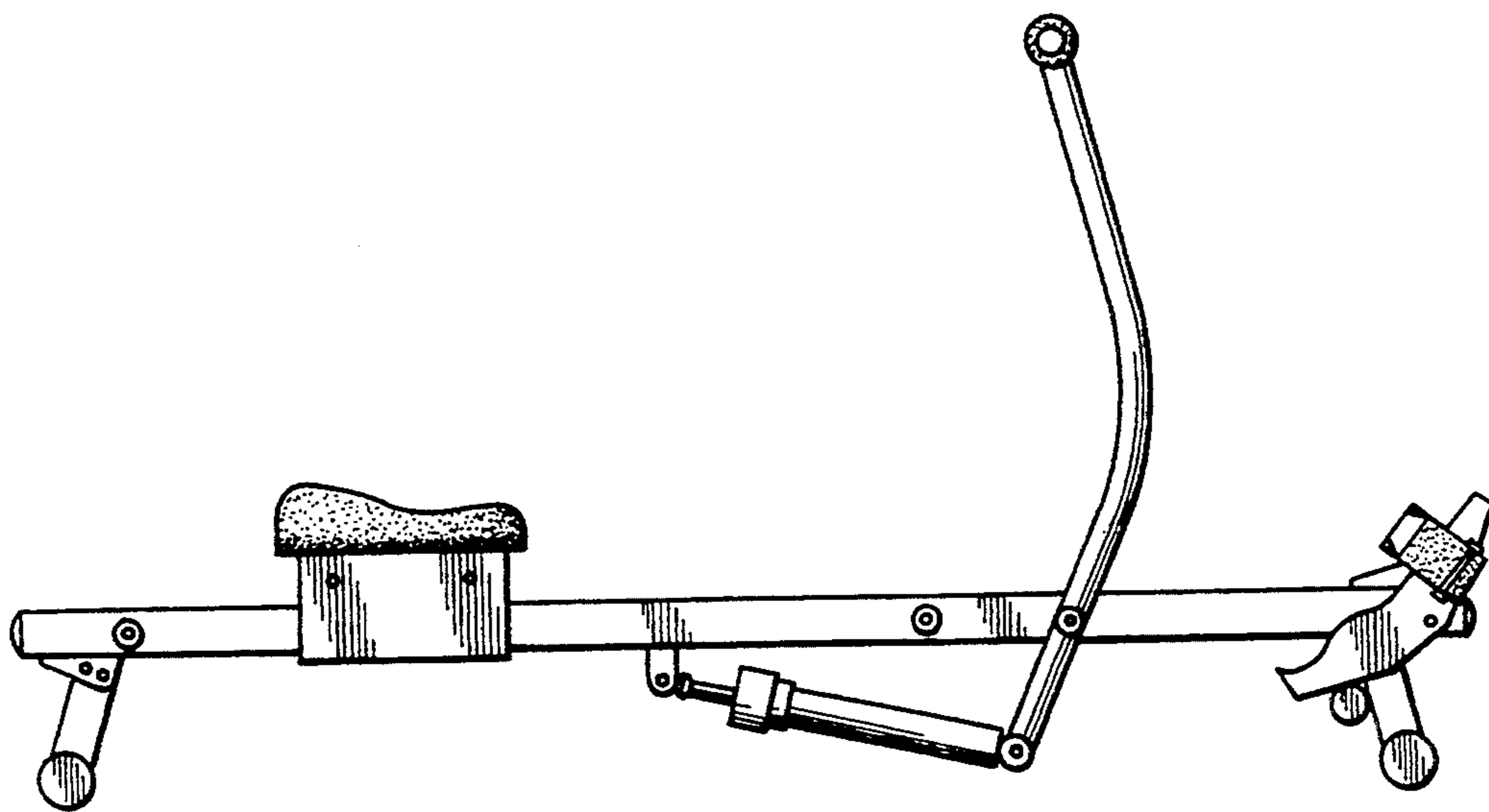


FIG. 3

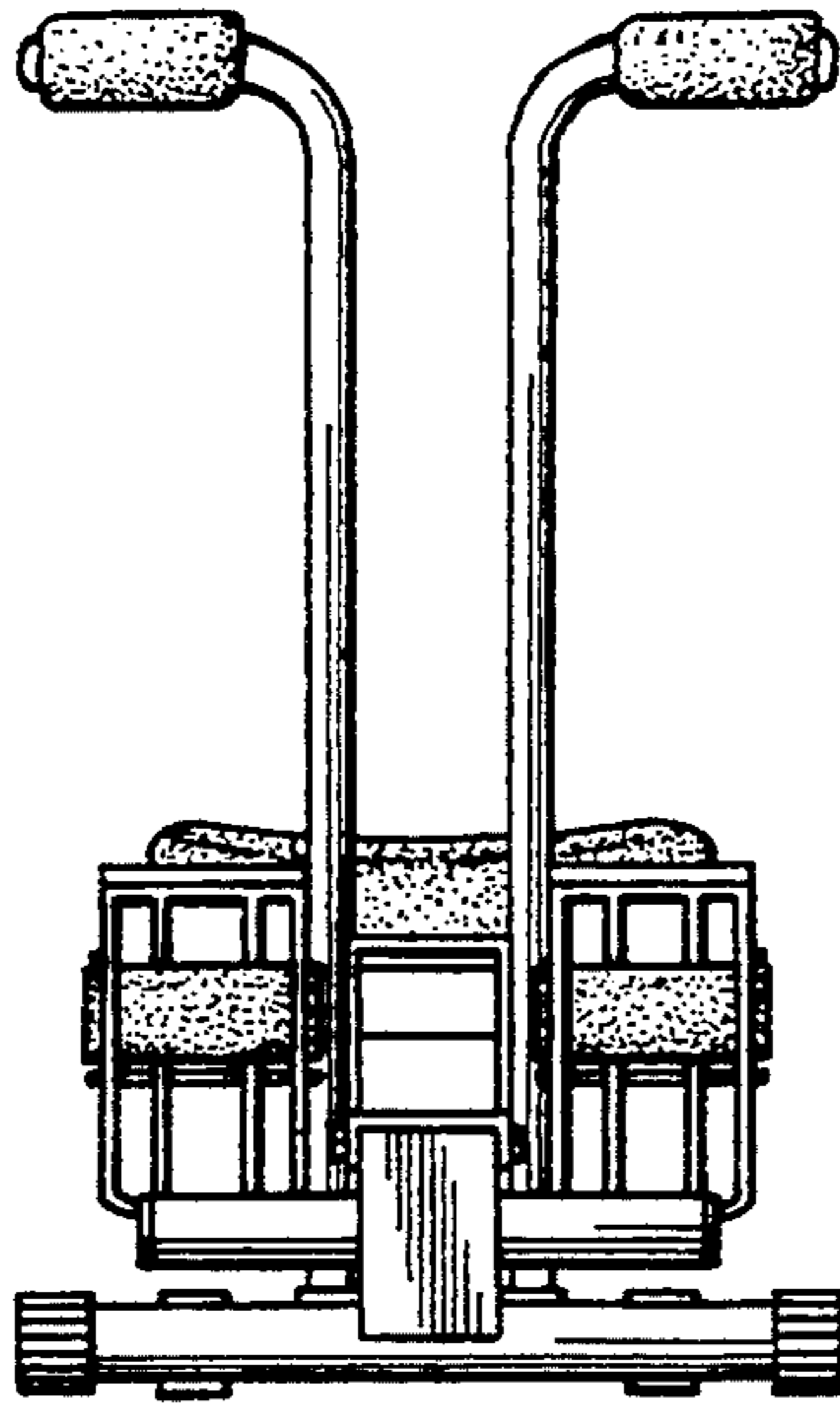


FIG. 4

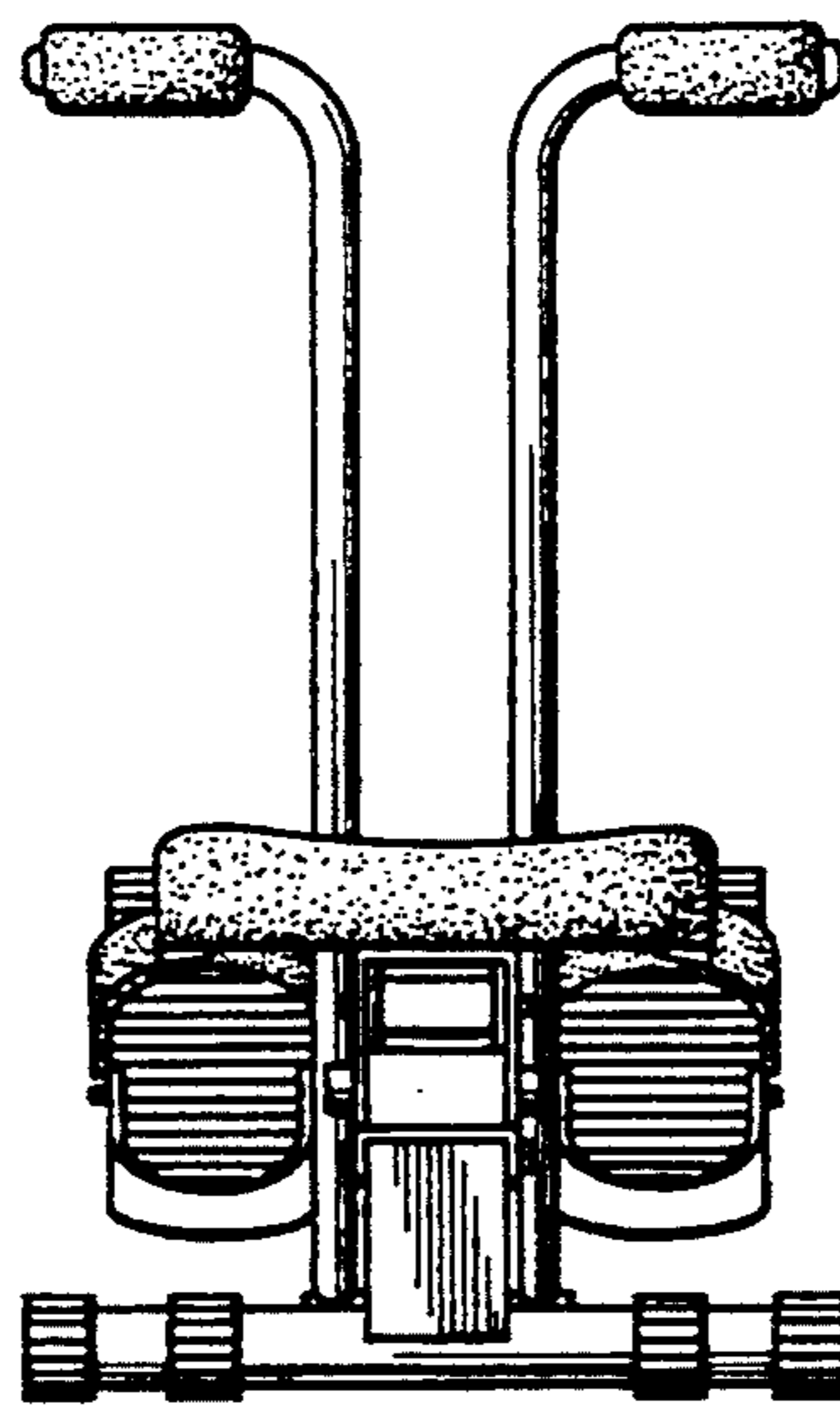


FIG. 5



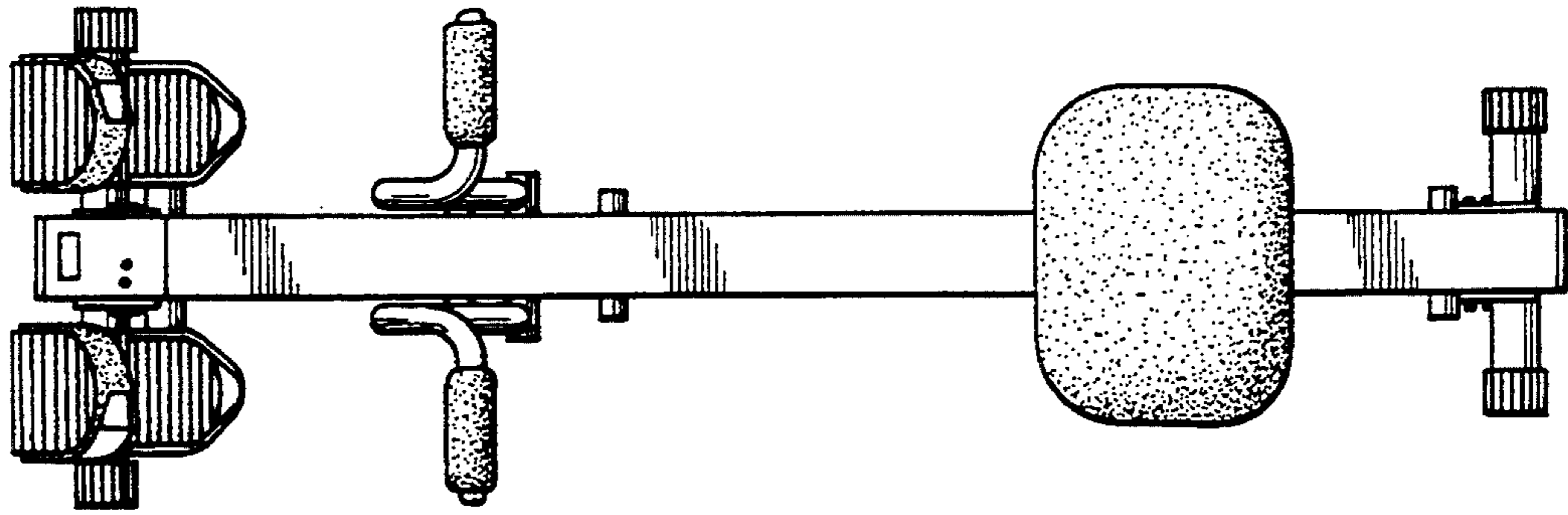


FIG. 6

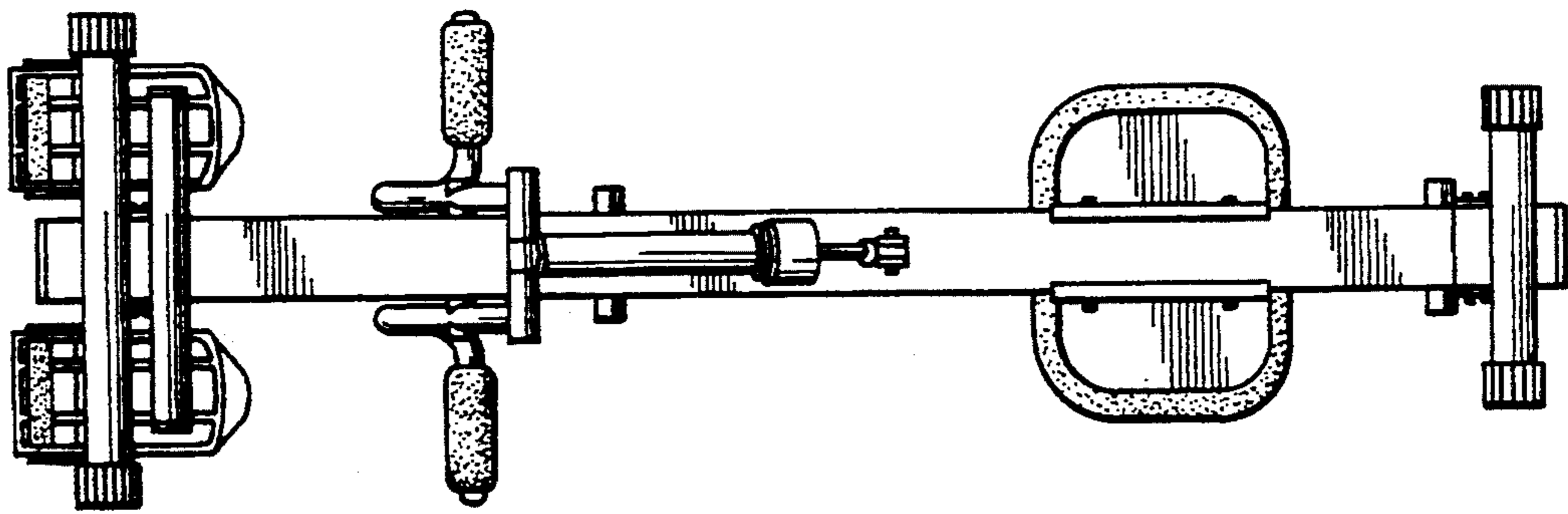


FIG. 7