



US00D362282S

United States Patent [19]

Patterson

[11] Patent Number: Des. 362,282

[45] Date of Patent: ** Sep. 12, 1995

[54] BENCH FOR EXERCISING HAMSTRING MUSCLES

[76] Inventor: Charles Patterson, 2673 Brown Rd., Grove City, Ohio 43123

[**] Term: 14 Years

[21] Appl. No.: 21,022

[22] Filed: Apr. 7, 1994

[52] U.S. Cl. D21/195

[58] Field of Search D21/191, 195; 482/92, 482/95, 97, 121, 129, 130, 137

4,830,363	5/1989	Kennedy .	
4,948,119	8/1990	Robertson .	
5,074,551	12/1991	Olschansky et al.	482/137
5,336,153	8/1994	Chen	482/137

Primary Examiner—Theodore M. Shooman
Assistant Examiner—Philip Hyder
Attorney, Agent, or Firm—Terry M. Gernstein

[57] CLAIM

The ornamental design for a bench for exercising hamstring muscles, as shown and described.

DESCRIPTION

FIG. 1 is a front, top and side perspective view of the bench for exercising hamstring muscles showing my new design;

FIG. 2 is a front elevational view thereof, the rear being a mirror image of the front shown in FIG. 2;

FIG. 3 is a left side elevational view thereof;

FIG. 4 is a right side elevational view thereof;

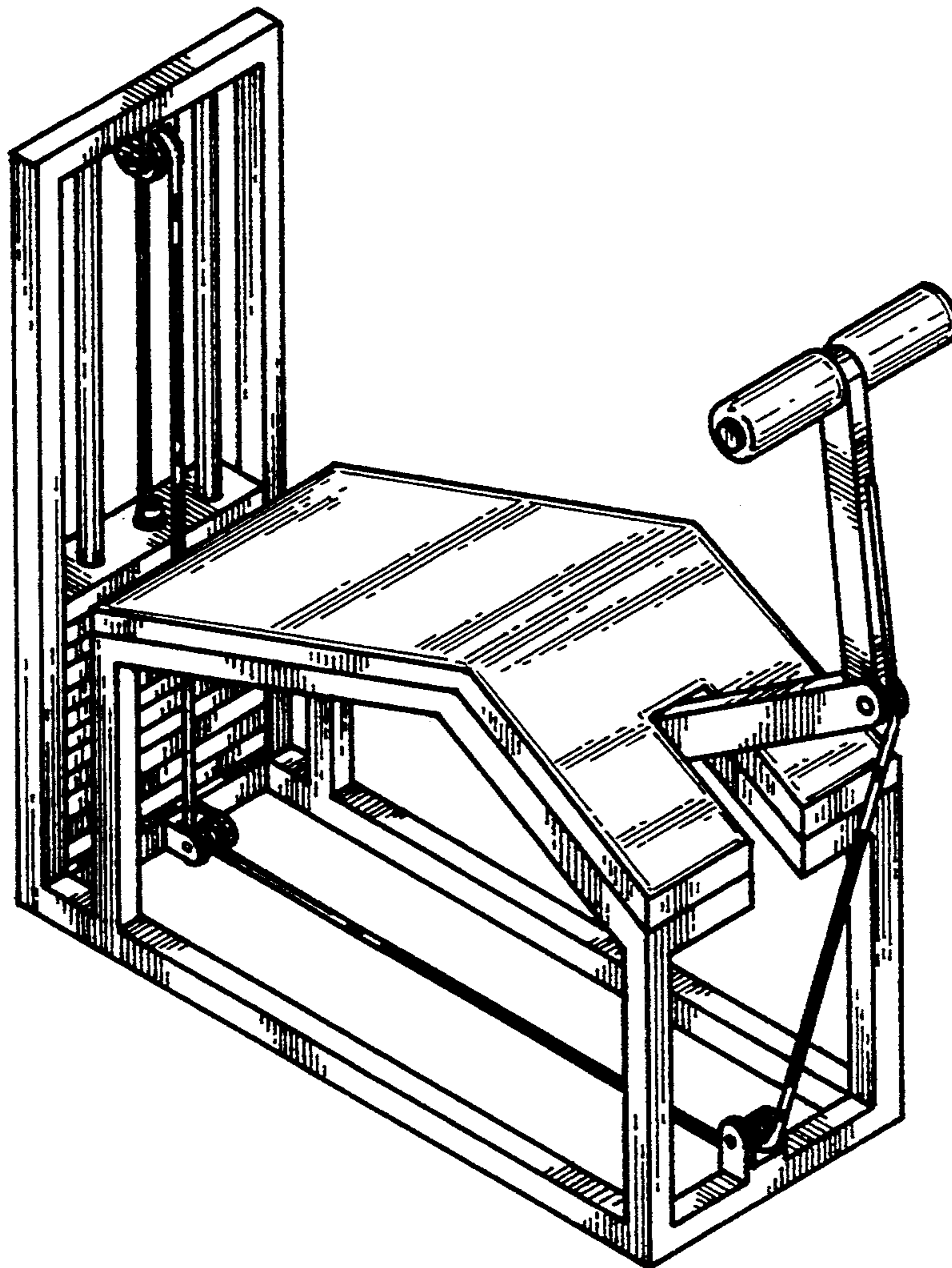
FIG. 5 is a top plan view thereof; and,

FIG. 6 is a bottom plan view thereof.

[56] References Cited

U.S. PATENT DOCUMENTS

D. 239,306	3/1976	Clarke	D21/195
D. 266,444	10/1982	Fry	D21/195
D. 288,451	2/1987	Irvine et al.	D21/195
D. 289,783	5/1987	Pappinen	D21/195
D. 296,709	7/1988	Gvoich et al.	D21/195
D. 306,053	2/1990	Beistegui	D21/195
4,696,469	9/1987	Elder .	



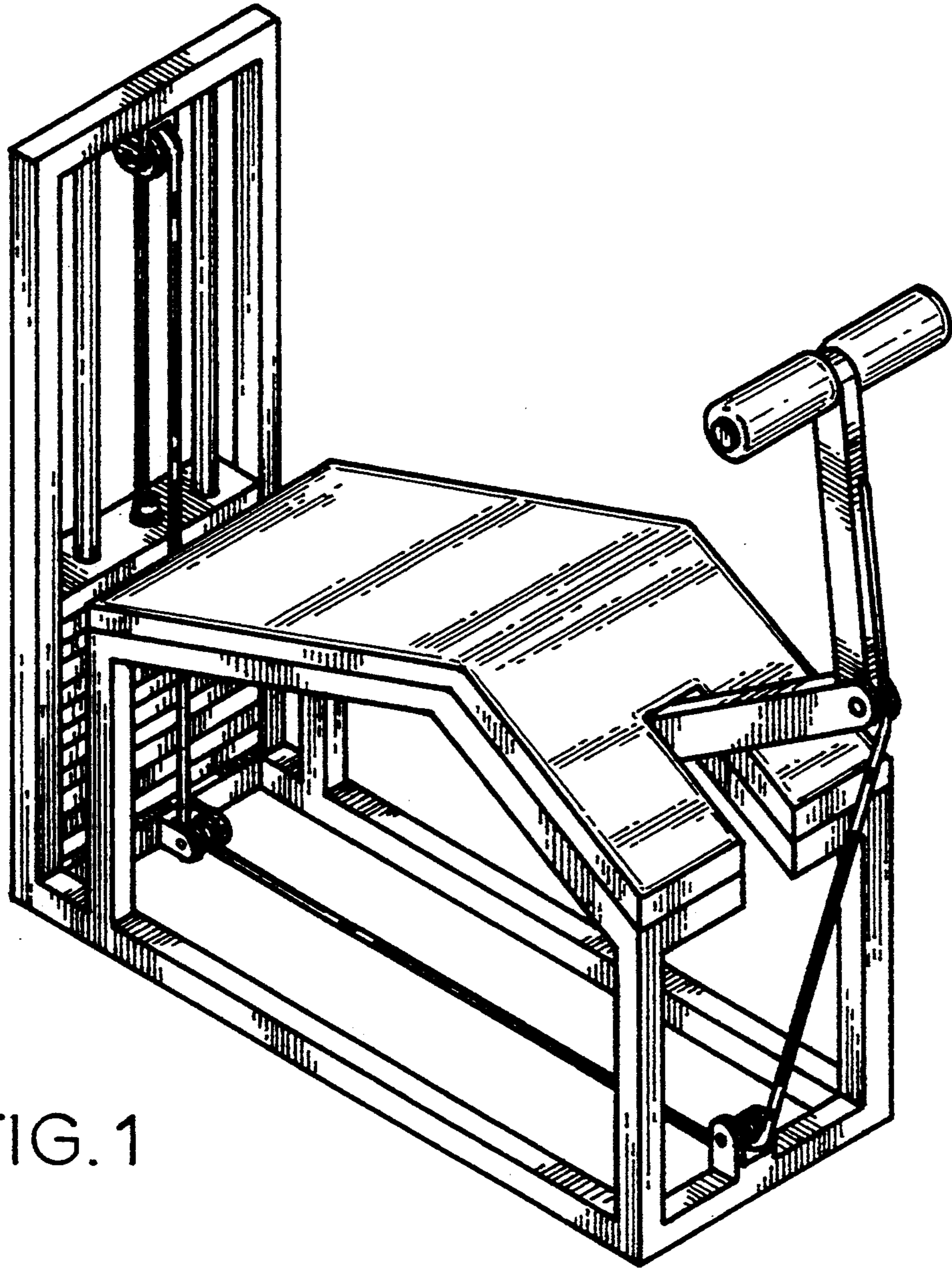


FIG. 1

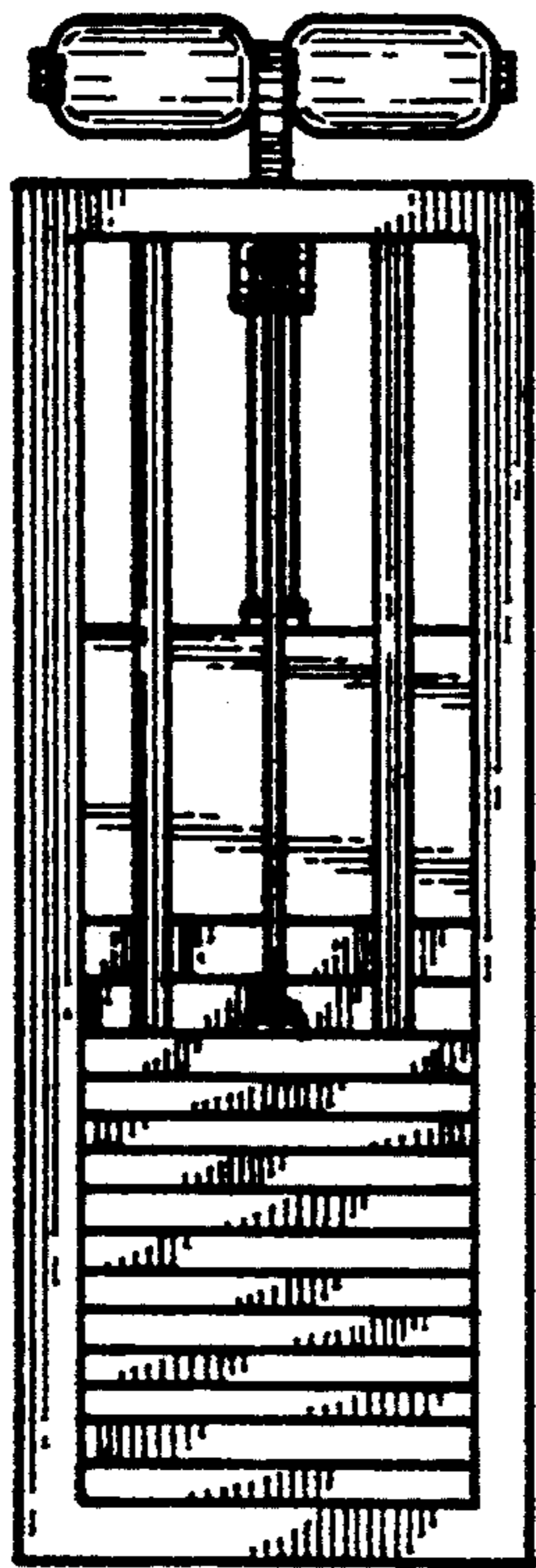
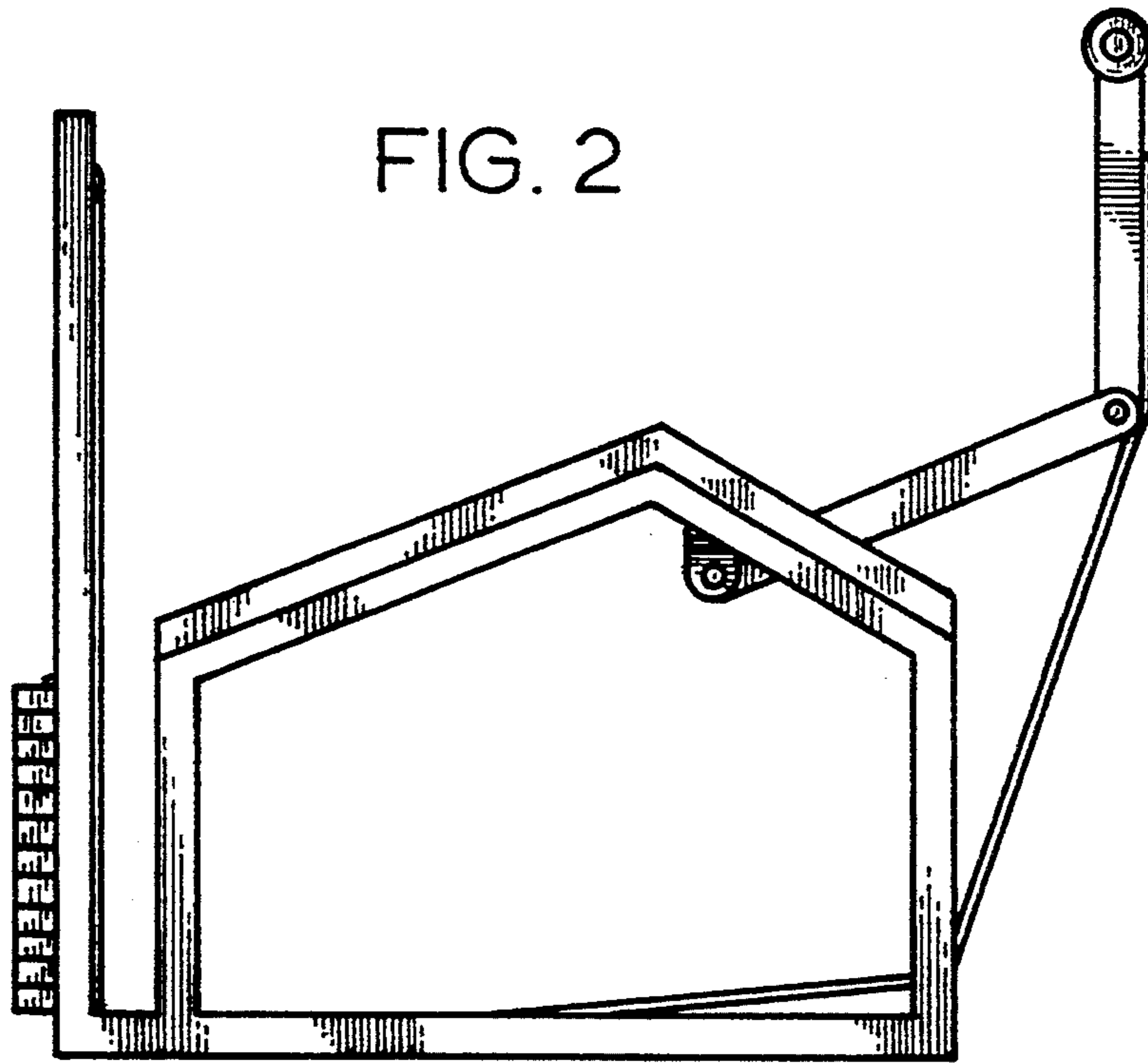


FIG. 3

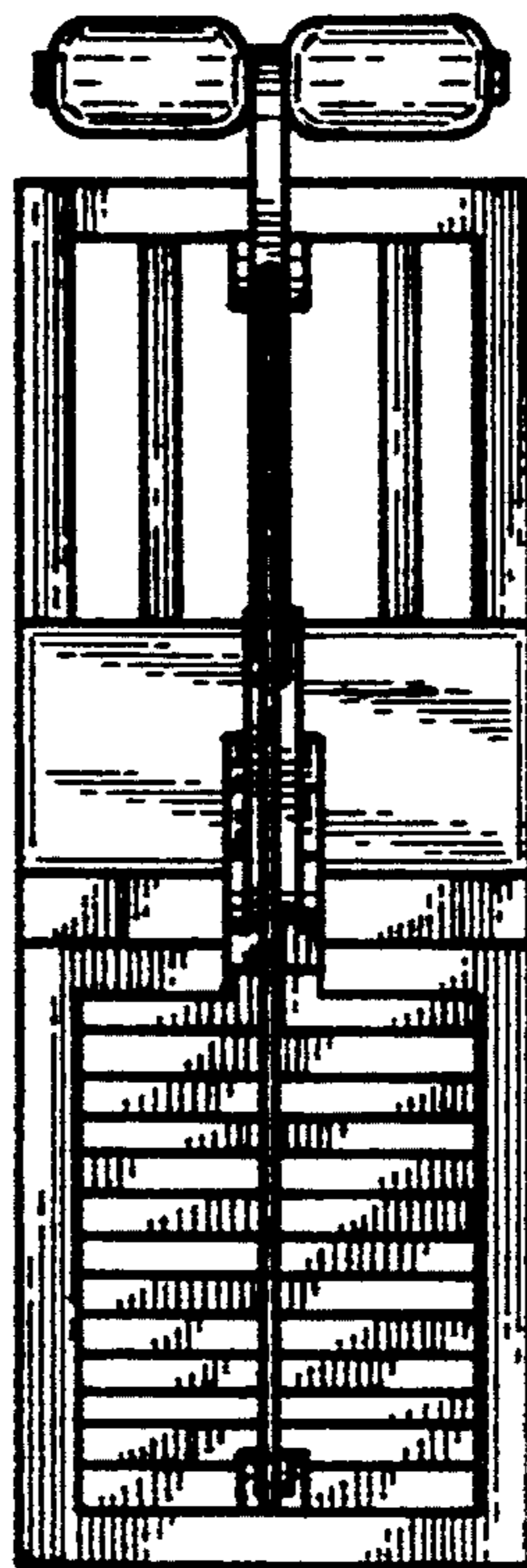


FIG. 4

FIG. 5

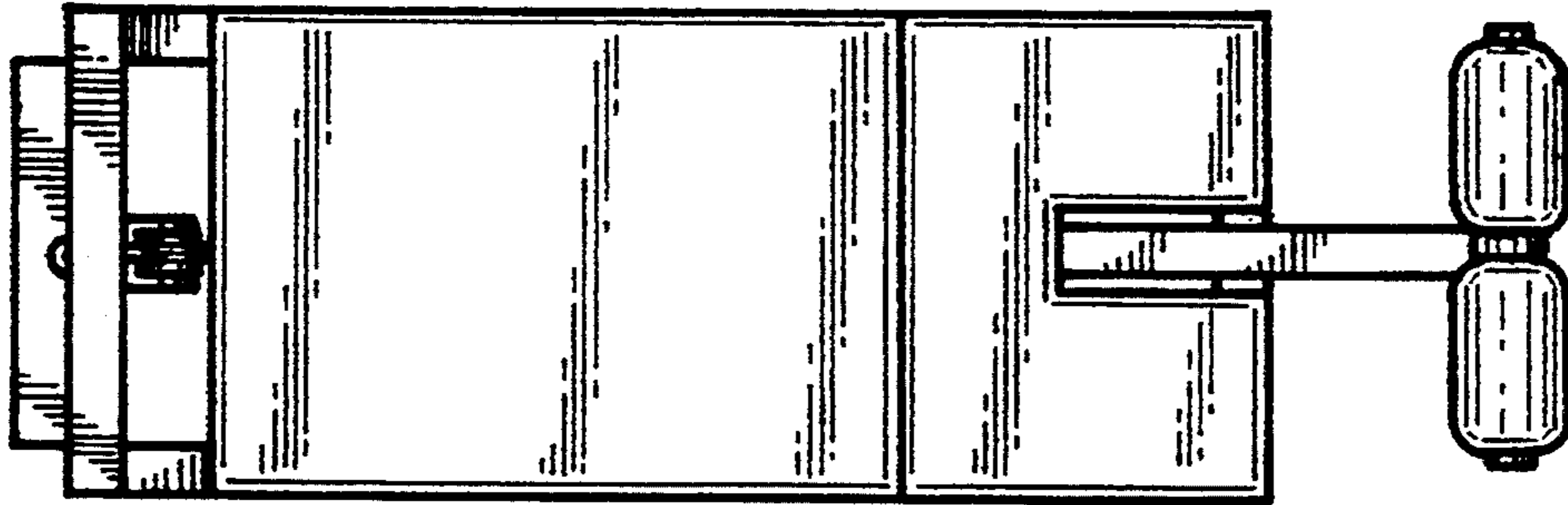


FIG. 6

