



US00D362279S

United States Patent [19]
Fuligni

[11] **Patent Number: Des. 362,279**

[45] **Date of Patent: ** Sep. 12, 1995**

[54] **TOY VEHICLE**

[75] **Inventor: Matthew R. Fuligni, Twinsburg, Ohio**

[73] **Assignee: The Little Tikes Company, Hudson, Ohio**

[**] **Term: 14 Years**

[21] **Appl. No.: 25,214**

[22] **Filed: Jul. 29, 1994**

[52] **U.S. Cl. D21/78**

[58] **Field of Search D21/71, 76, 78, 133, D21/134, 136, 137, 140; D12/90-92; 446/93, 95, 128, 470, 465, 468; 280/87.01, 87.021, 87.051, 828**

[56] **References Cited**

U.S. PATENT DOCUMENTS

D. 215,317	9/1969	Hood	D21/78
D. 221,567	8/1971	Cook	D21/78
D. 236,607	9/1975	Bundschuh et al.	D12/107
D. 242,701	12/1976	Viniegra	D12/91
D. 256,150	7/1980	Lofton et al.	D21/76
D. 264,608	5/1982	Mariol	D21/78
D. 269,098	5/1983	Mariol	D21/78
D. 299,666	1/1989	Harrod	D21/134
D. 303,776	10/1989	Aker	D21/134
D. 328,317	7/1992	Harrod	D21/76
D. 328,925	8/1993	VanHuystee	D21/78
D. 333,327	2/1993	Plater-Zyberk	D21/76
D. 348,288	6/1994	Ballew et al.	D21/78
D. 374,528	6/1994	Lee	D21/76
3,036,857	5/1962	Douglas	280/828
4,513,981	4/1985	DeGraaff et al.	280/828
4,709,958	12/1987	Harrod	D296/177

OTHER PUBLICATIONS

P. 119, Ride-on vehicles; Montgomery Ward, address unknown. Publication date 1983.

P. 48, Pick-up truck; Buddy L, a Division of SLM, Patch Road RD1, P.O. Box 1070, Gloversville, N.Y., 12078. Publication date 1993.

P. 27, Ride-on vehicle; Today's Kids, Inc., Highway 10 East, Bonneville, Ark. 72927. Publication date 1993.

P. 9, Ride-on vehicle; Power Wheels; A Kransco Group Company, 3405 Meyer Road, P.O. Box 6700, Fort Wayne, Ind. 46896-0700. Publication date 1991.

Catalog page, Ride-on vehicle; Power Wheels, A Kransco Group Company, 3405 Meyer Road, P.O. Box 6700, Fort Wayne, Ind. 46896-0700. Publication date 1991.

P. 12, 4x4 Truck; Blazon-Flexible Flyer Inc., 100 Tubb Avenue, West Point, Miss., 39773. Publication date 1988.

Primary Examiner—Terry A. Wallace

Assistant Examiner—R. Barkai

Attorney, Agent, or Firm—Richard B. O'Planick; Lisa B. Riedesel

[57] **CLAIM**

The ornamental design for a toy vehicle, as shown and described.

DESCRIPTION

FIG. 1 is a top right front perspective view of a toy vehicle showing my new design;

FIG. 2 is a top plan view thereof;

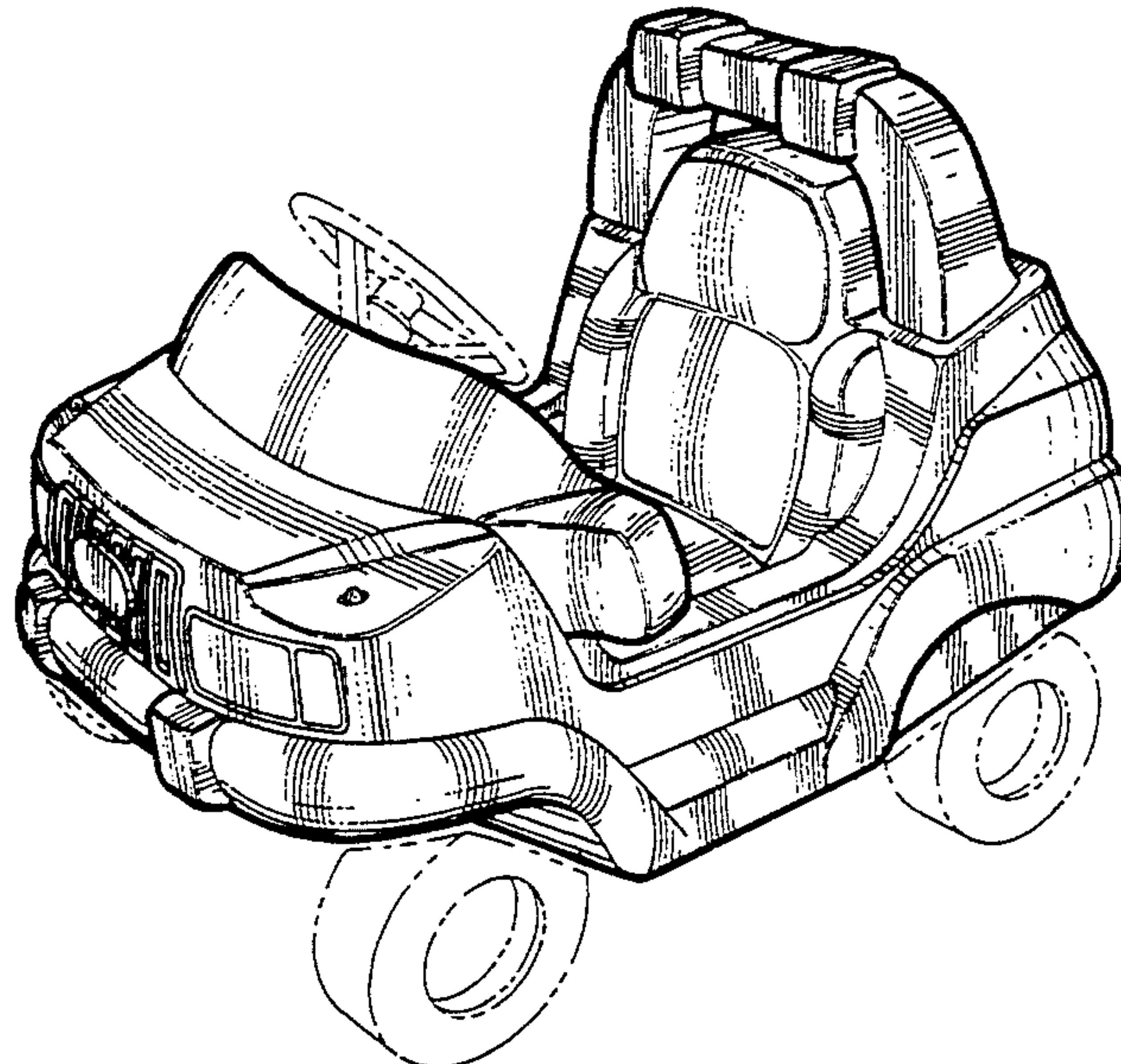
FIG. 3 is a front elevational view thereof;

FIG. 4 is a rear elevational view thereof;

FIG. 5 is a left side elevational view thereof; the right side elevational view being a mirror image; and,

FIG. 6 is a bottom plan view thereof.

The broken line showing of the wheels and steering wheel in FIGS. 1-6 is for illustrative purposes only and forms no part of the claimed design.



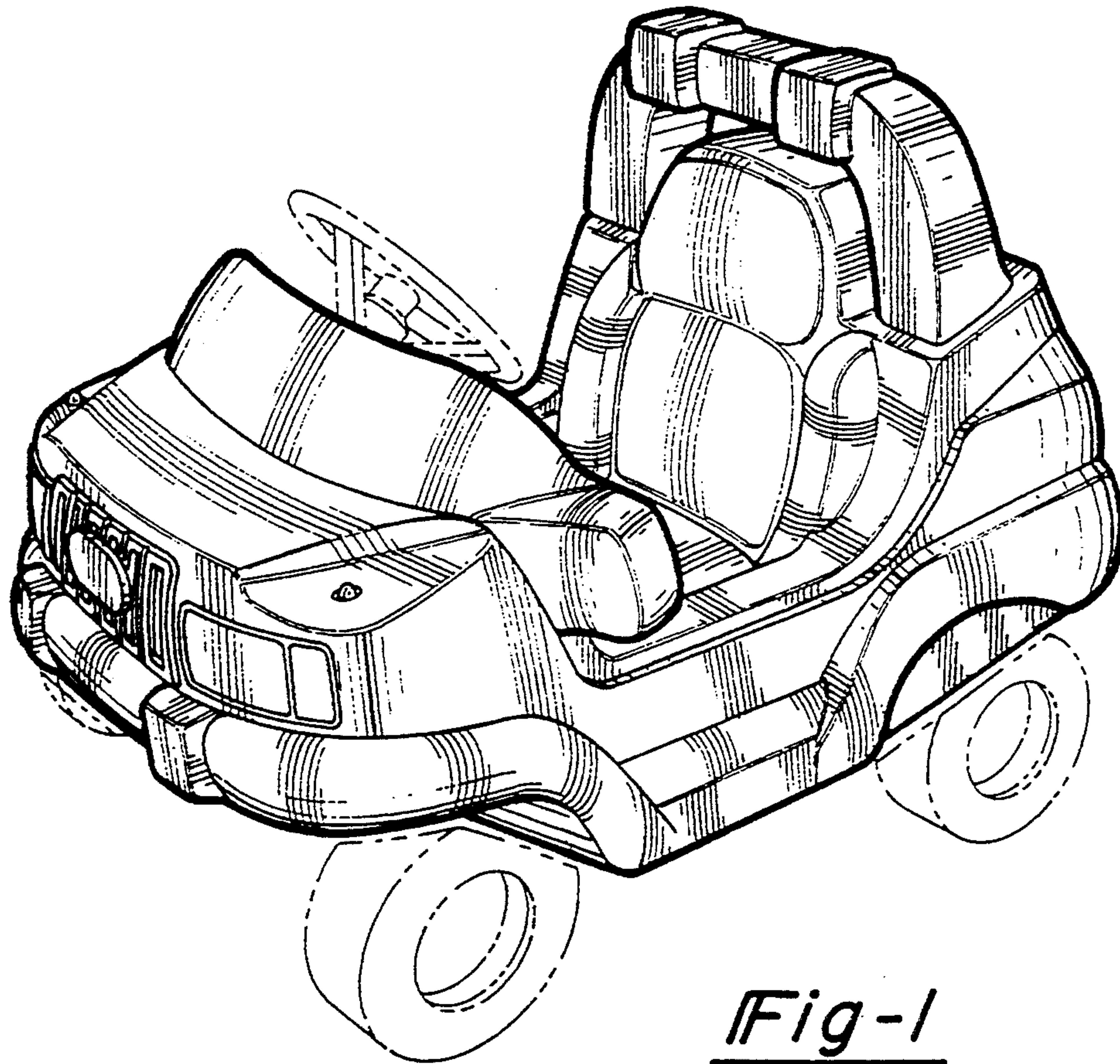


Fig-1

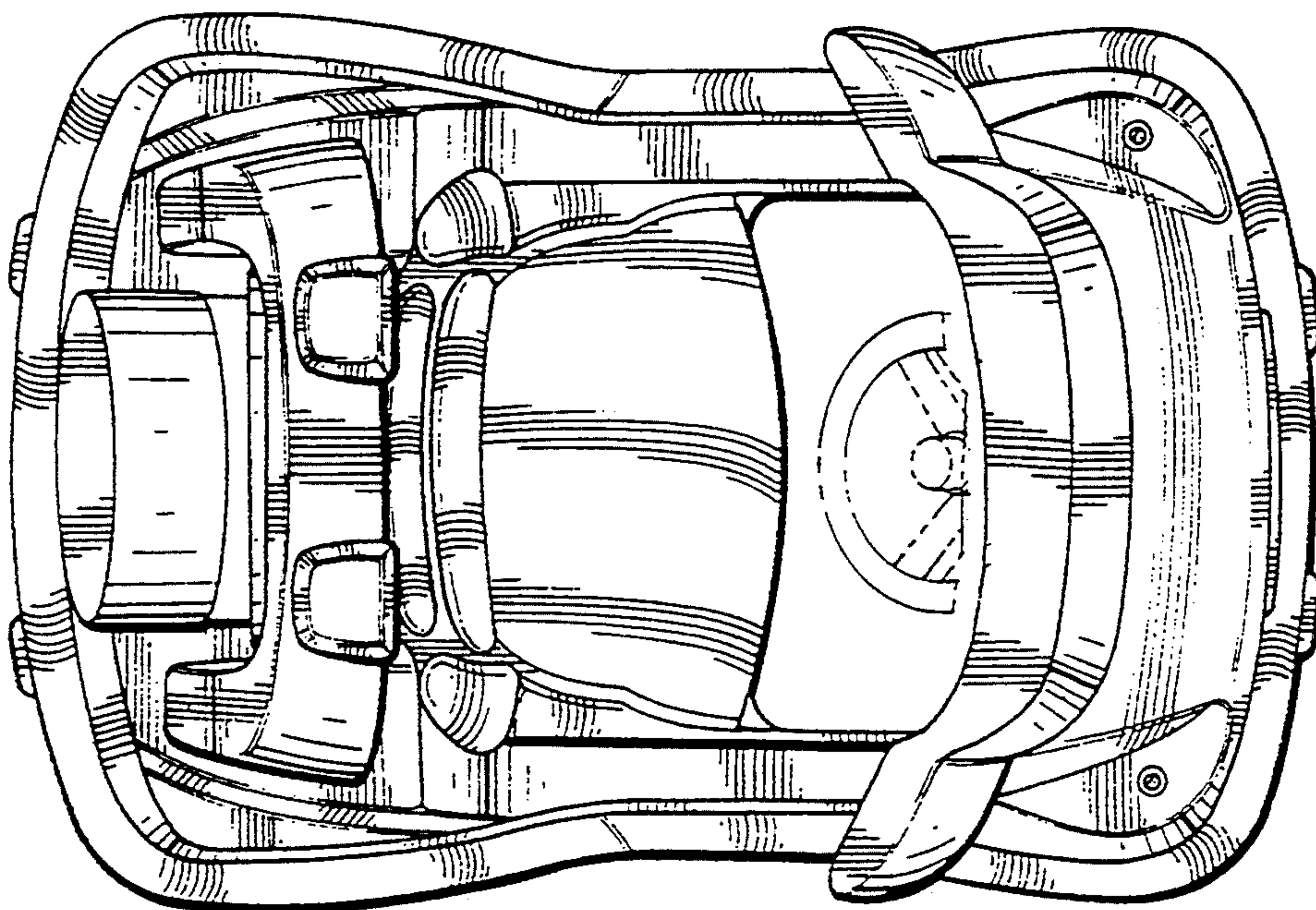


Fig-2

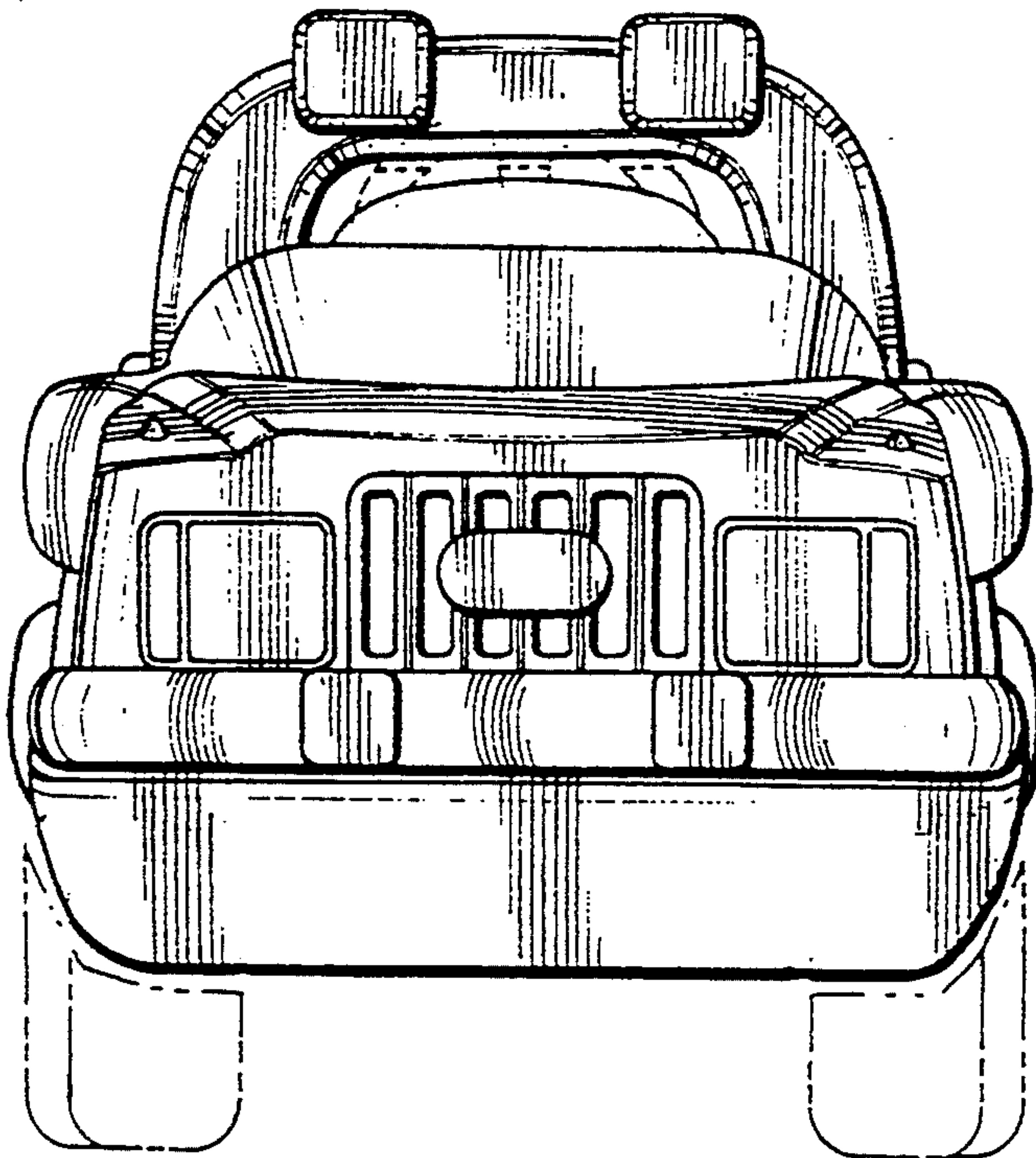


Fig-3

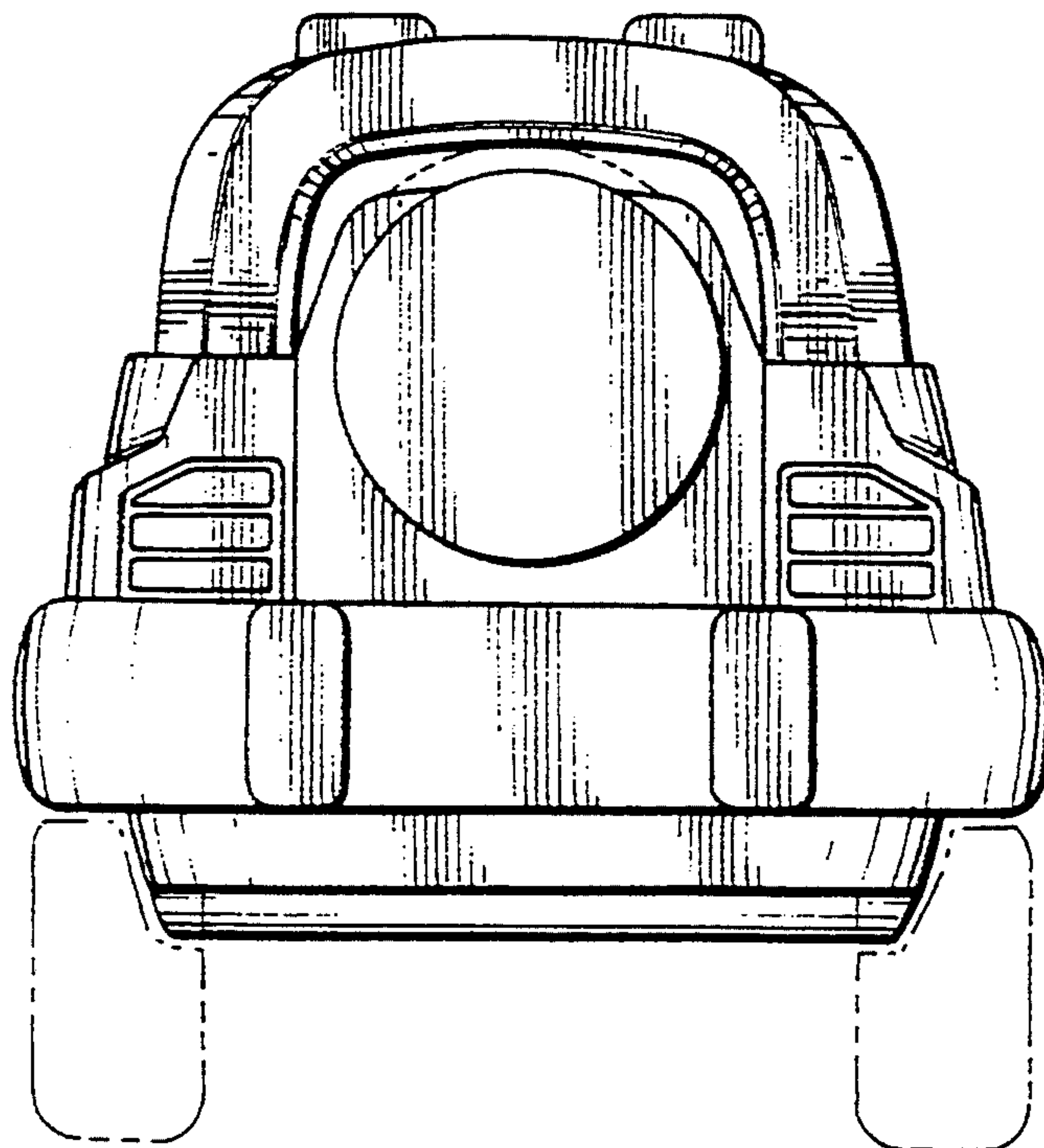


Fig-4

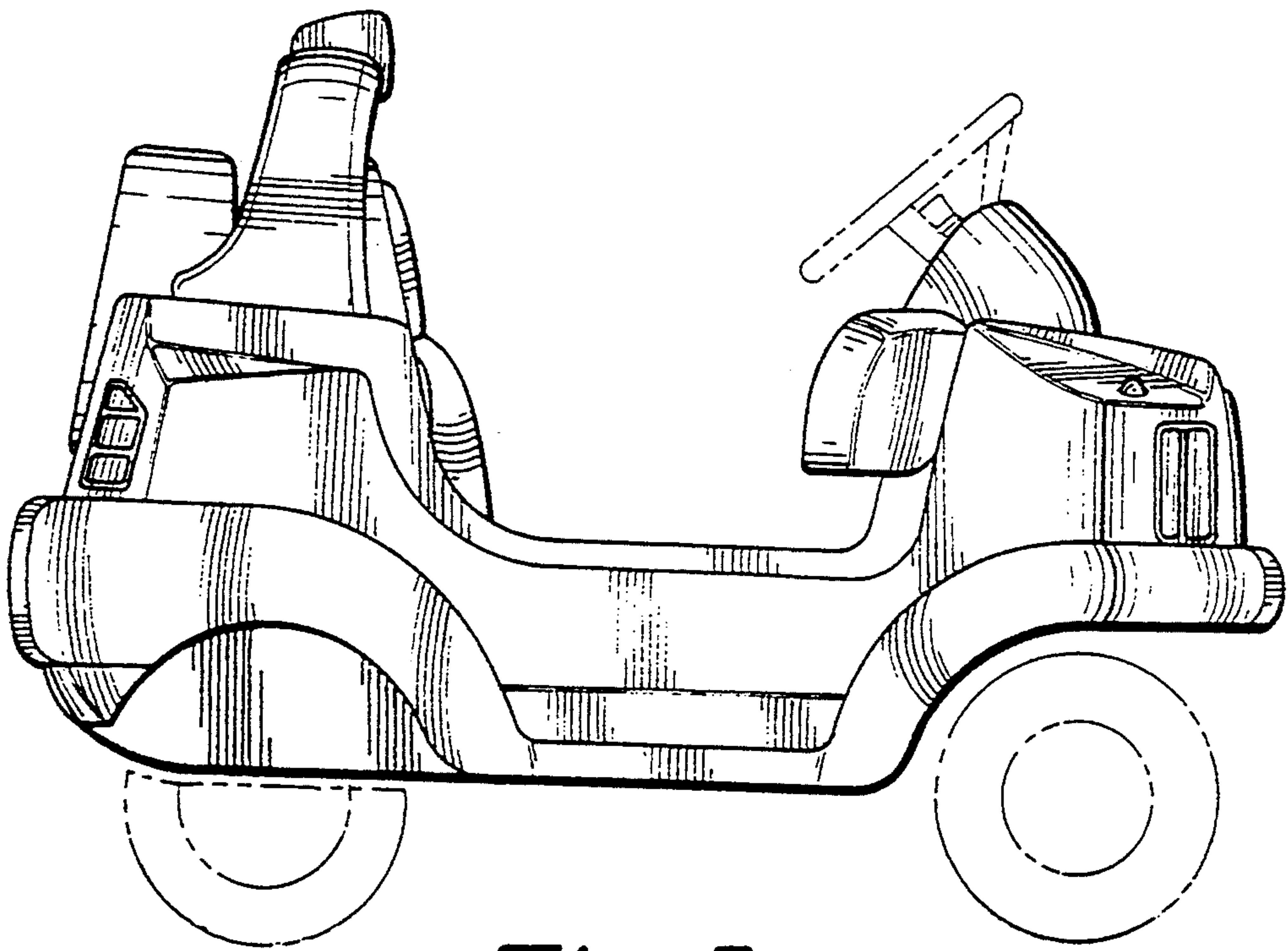


Fig-5

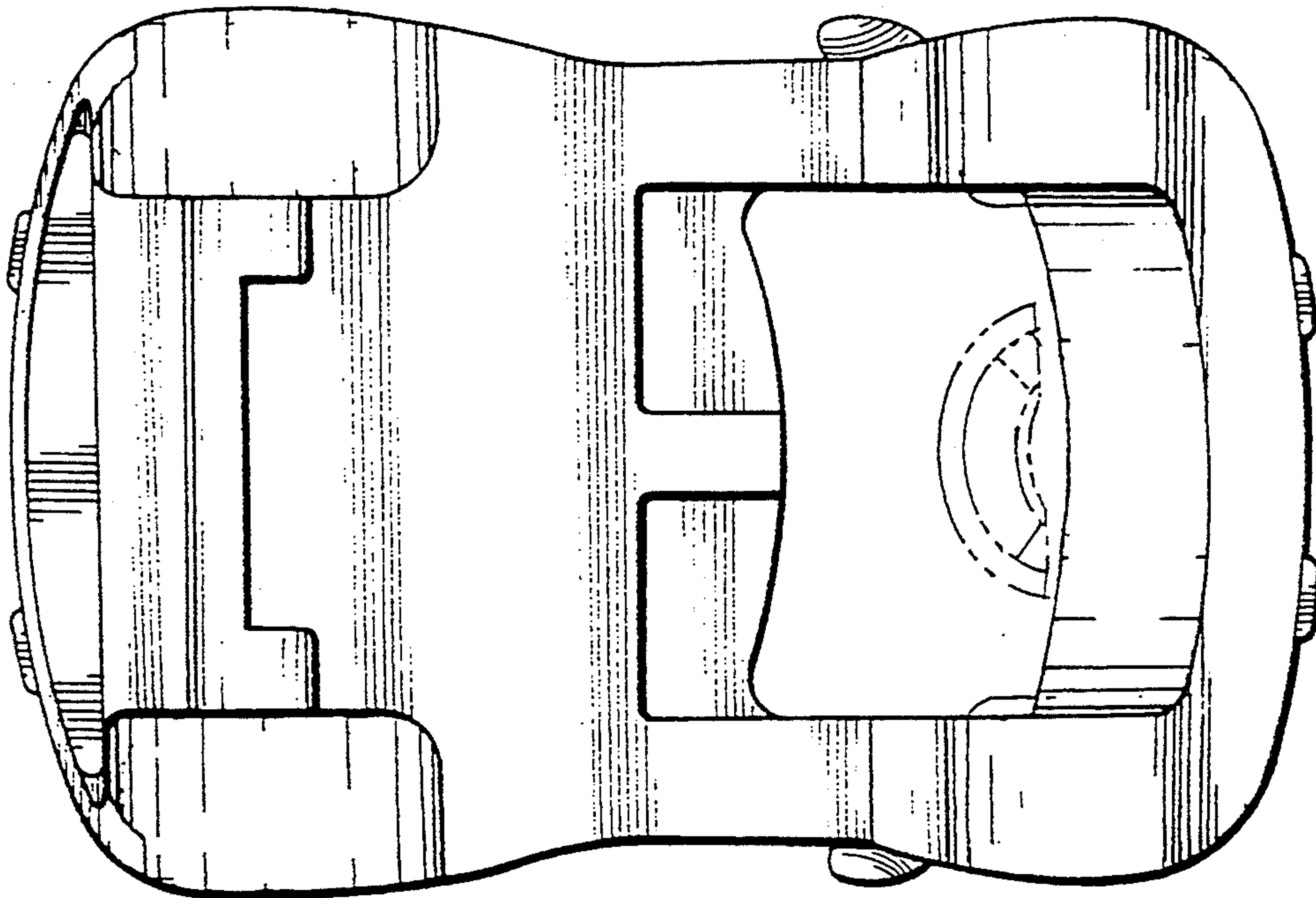


Fig-6