



US00D362278S

United States Patent [19]

[11] Patent Number: **Des. 362,278**

Hayes

[45] Date of Patent: **** Sep. 12, 1995**

[54] FOOT PEDAL FOR ELECTRONIC GAME

3,361,091 1/1968 Inman 273/148 B X
4,630,817 12/1986 Buckley 273/438 X
5,148,152 9/1992 Stueckle et al. 273/148 B X

[76] Inventor: **Charles L. Hayes**, 4421 Highland Ave., Carlsbad, Calif. 92008

[**] Term: **14 Years**

OTHER PUBLICATIONS

Vending Times, Jul. 1979, p. 76, Night Rider.

[21] Appl. No.: **28,089**

Primary Examiner—Prabhakar G. Deshmukh
Attorney, Agent, or Firm—Thomas J. Tighe

[22] Filed: **Sep. 7, 1994**

[52] U.S. Cl. **D21/48**

[57] CLAIM

[58] Field of Search D21/48, 13, 189;
273/433-438, 148 B, DIG. 28; D14/114, 126,
125

The ornamental design for foot pedal for electronic game, as shown and described.

DESCRIPTION

[56] References Cited

U.S. PATENT DOCUMENTS

D. 292,224	10/1987	Trumbull	D21/48 X
D. 311,392	10/1990	Hillary et al.	D14/114
D. 326,117	5/1992	Barr et al.	D21/48
D. 333,324	2/1993	Michael	D21/48
D. 339,612	9/1993	Carter et al.	D21/48

FIG. 1 is a top plan view of a foot pedal for electronic game showing my new design;

FIG. 2 is a left side elevational view thereof;

FIG. 3 is a right side elevational view thereof;

FIG. 4 is a rear elevational view thereof;

FIG. 5 is a front elevational view thereof; and,

FIG. 6 is a bottom plan view thereof.

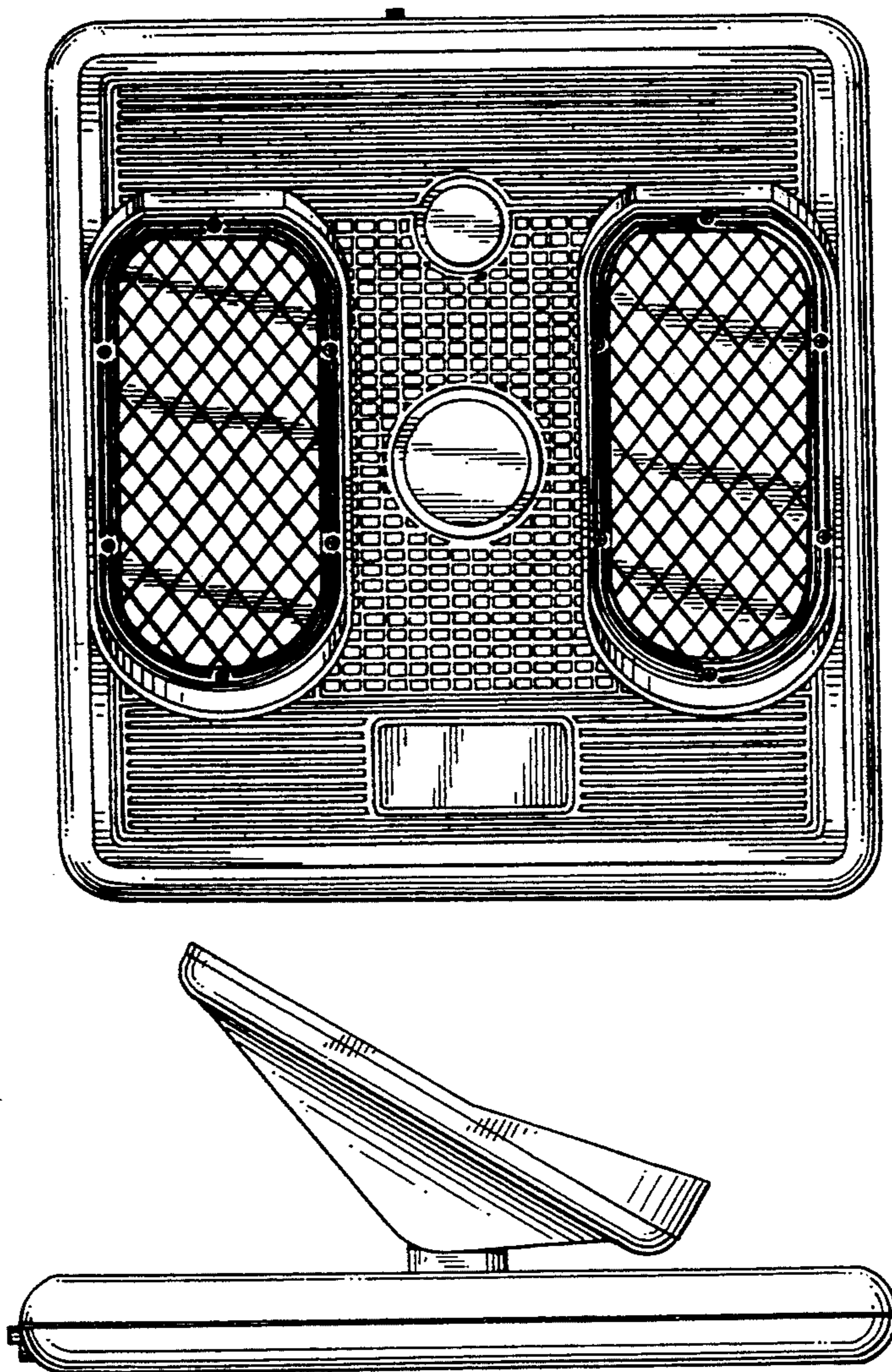


FIG. 1

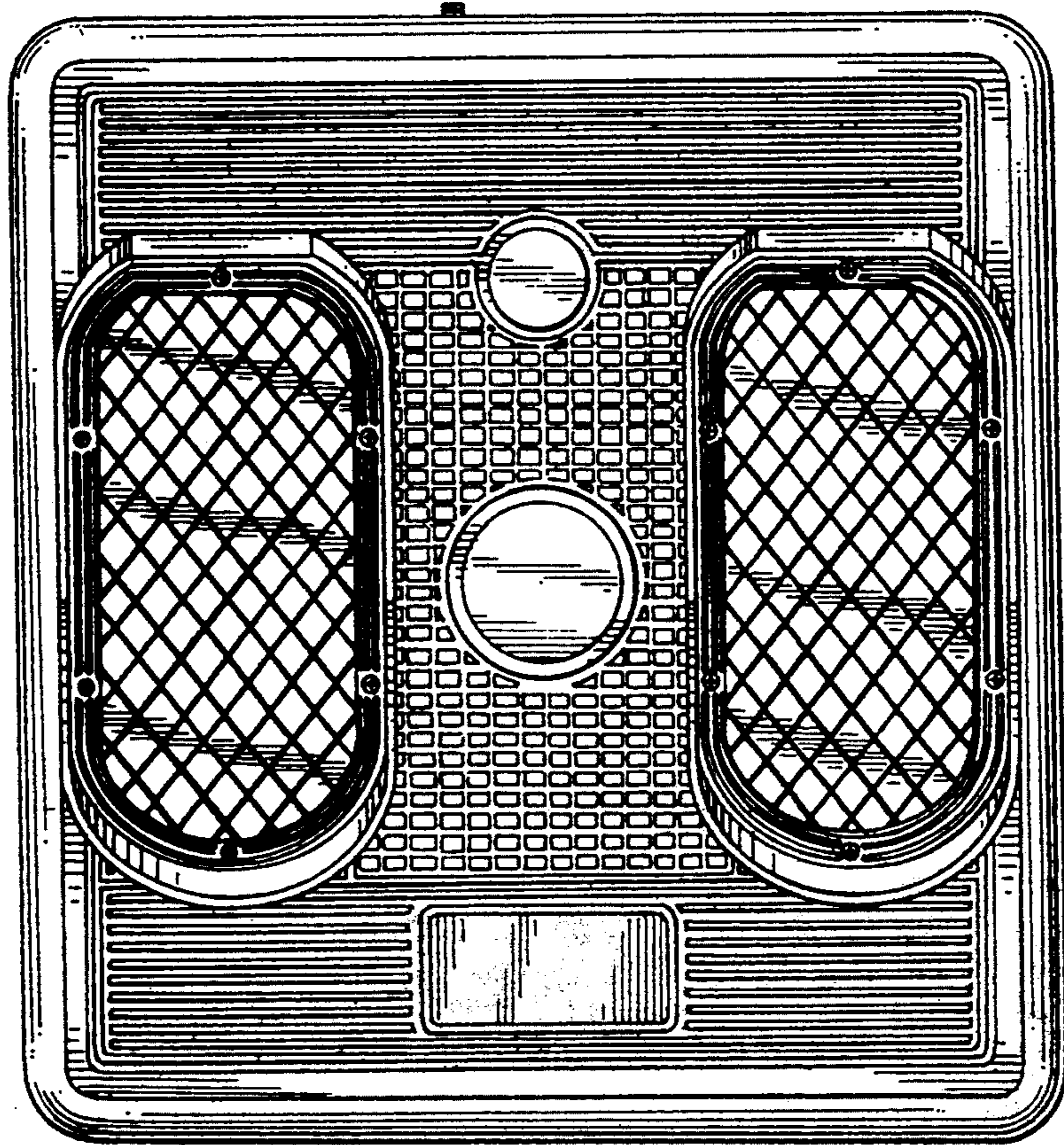


FIG. 2

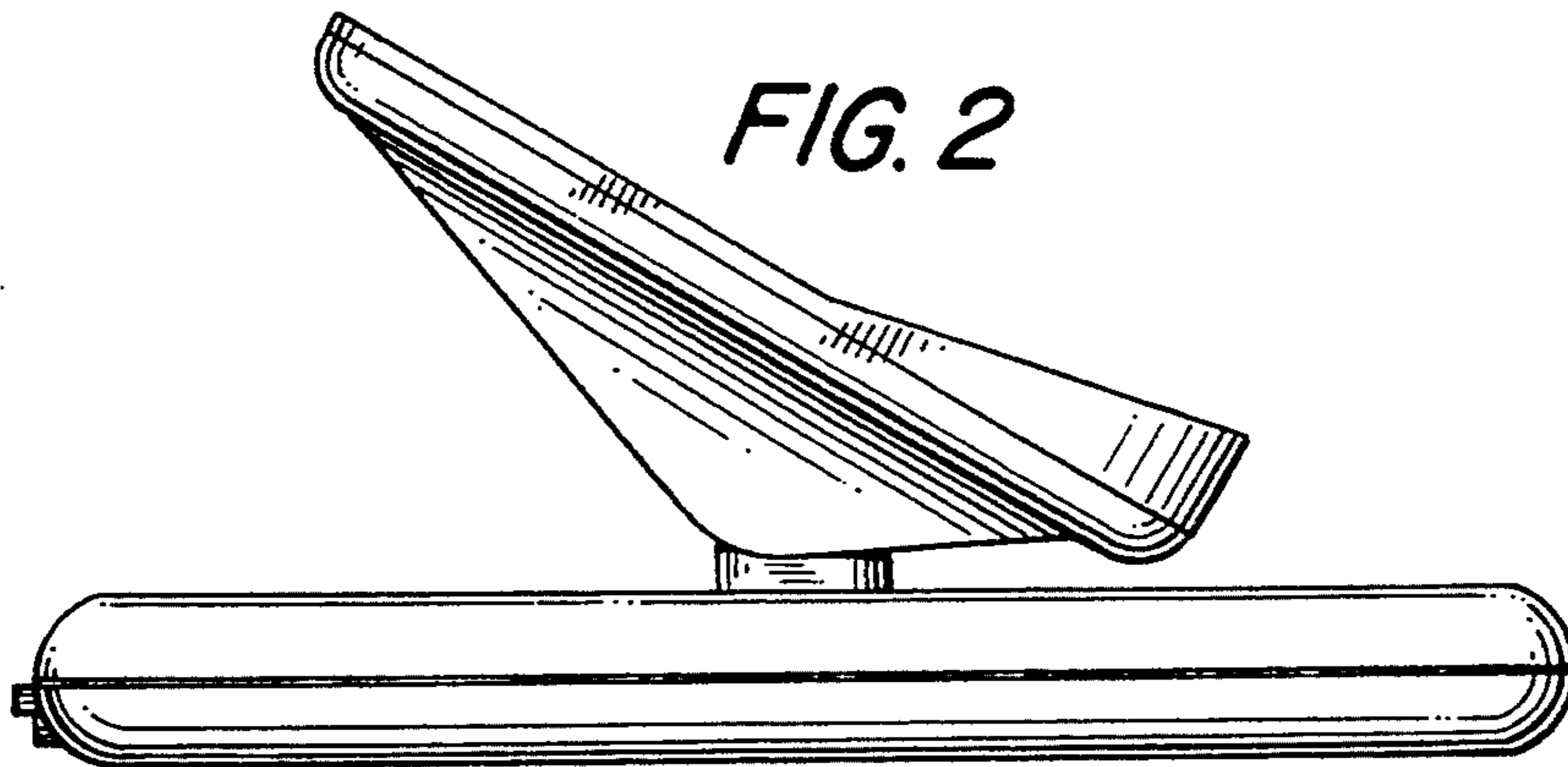


FIG. 3

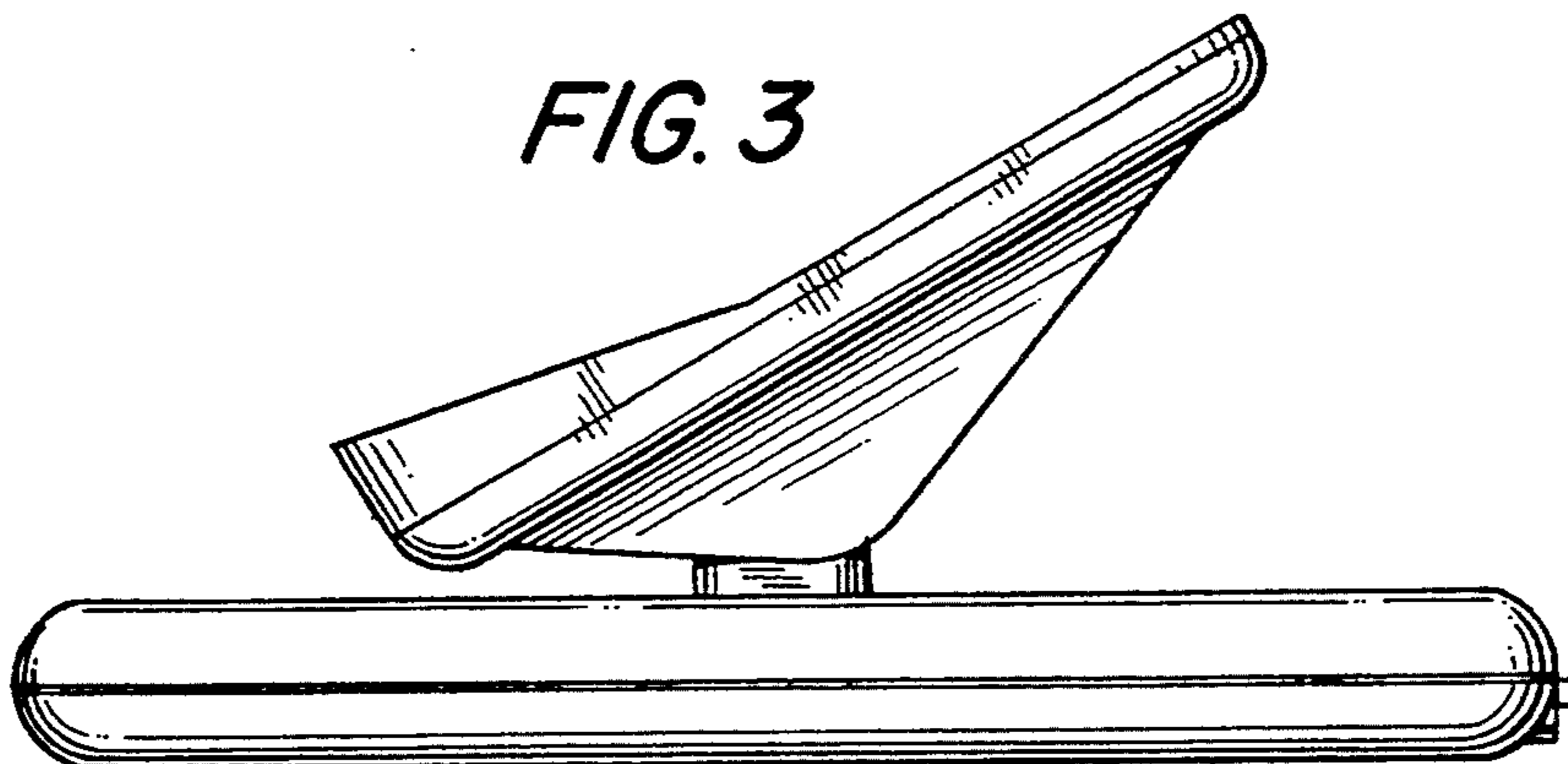


FIG. 4

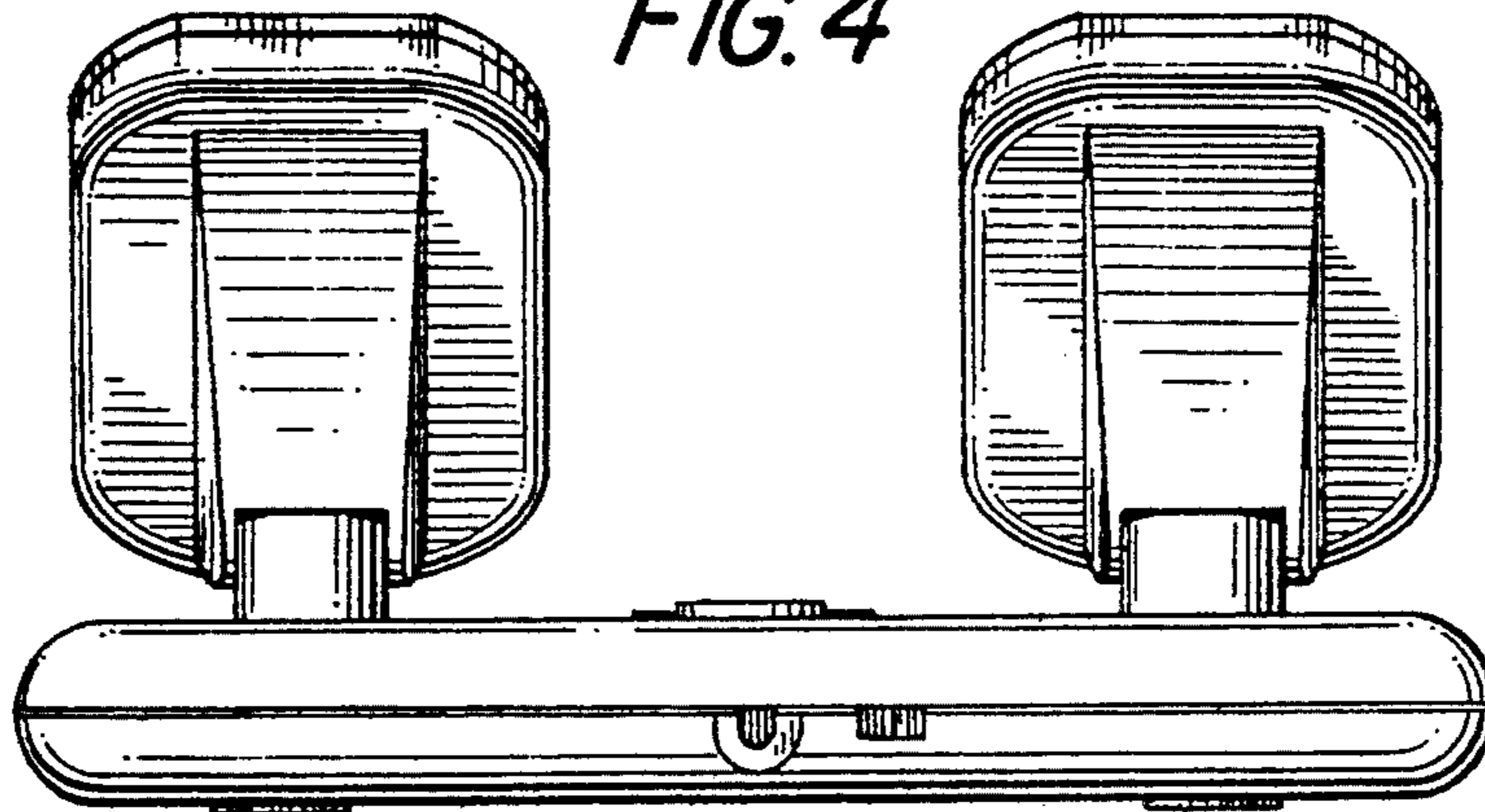


FIG. 5

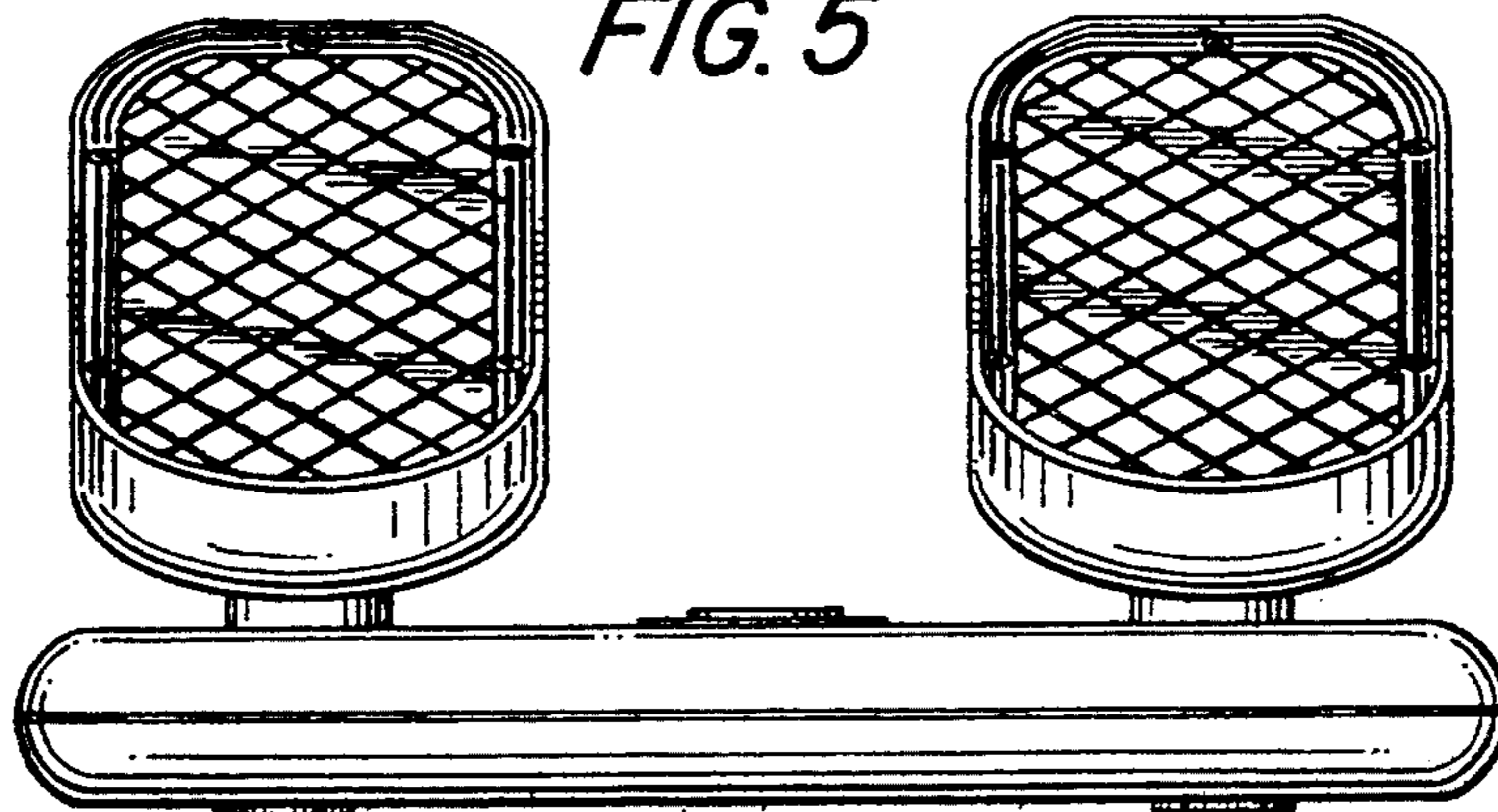


FIG. 6

