



US00D362277S

United States Patent [19]

Chan

[11] Patent Number: **Des. 362,277**

[45] Date of Patent: **** Sep. 12, 1995**

[54] **GAME CONTROL PAD**

[76] Inventor: **Wah L. Chan**, Room 1113, Po Tai House, Po Lam Estate, Junk Bay, Hong Kong

[**] Term: **14 Years**

[21] Appl. No.: **27,630**

[22] Filed: **Aug. 25, 1994**

[30] **Foreign Application Priority Data**

Jul. 26, 1994 [GB] United Kingdom 2040541

[52] U.S. Cl. **D21/48**

[58] Field of Search D21/1, 13, 48;
273/148 B, 433-438, DIG. 28

[56] **References Cited**

U.S. PATENT DOCUMENTS

- D. 343,649 1/1994 Ho D21/48
- D. 345,164 3/1994 Grae D21/48 X
- D. 352,970 11/1994 Ho D21/48
- D. 355,450 2/1995 Ho D21/48

- 4,924,216 5/1990 Leung 273/438 X
- 4,969,647 11/1990 Mical et al. 273/DIG. 28 X

OTHER PUBLICATIONS

HongKong Enterprise, Oct. 1992, p. 363.

HongKong Enterprise, Oct. 1992, p. 375.

Primary Examiner—Prabhakar G. Deshmukh

Attorney, Agent, or Firm—Samuels, Gauthier & Stevens

[57] CLAIM

The ornamental design for a game control pad, as shown.

DESCRIPTION

FIG. 1 is a perspective view of a game control pad showing my new design;

FIG. 2 is a top plan view thereof;

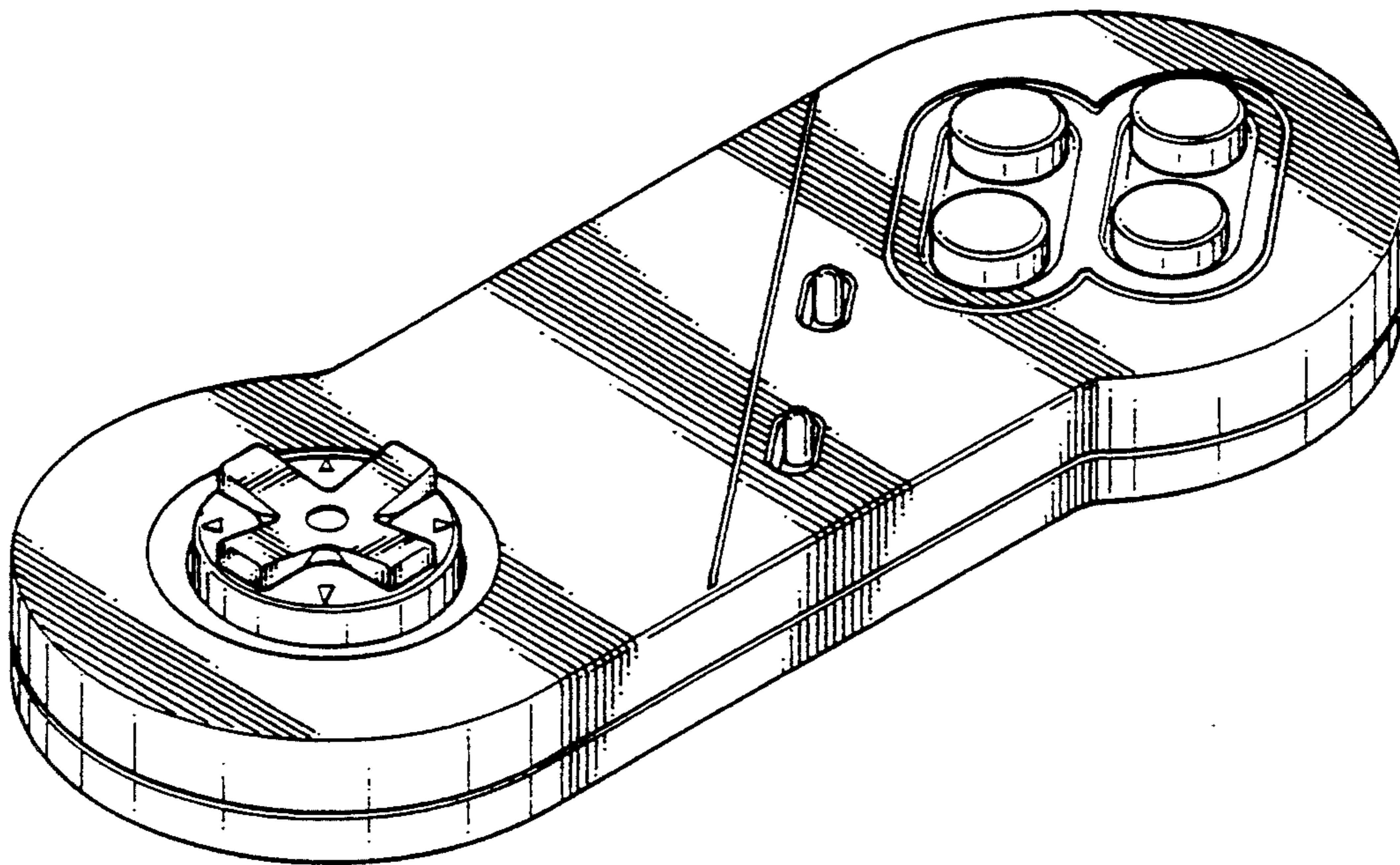
FIG. 3 is a bottom plan view thereof;

FIG. 4 is a rear elevational view thereof;

FIG. 5 is a front elevational view thereof;

FIG. 6 is a left side view thereof; and,

FIG. 7 is a right side view thereof.



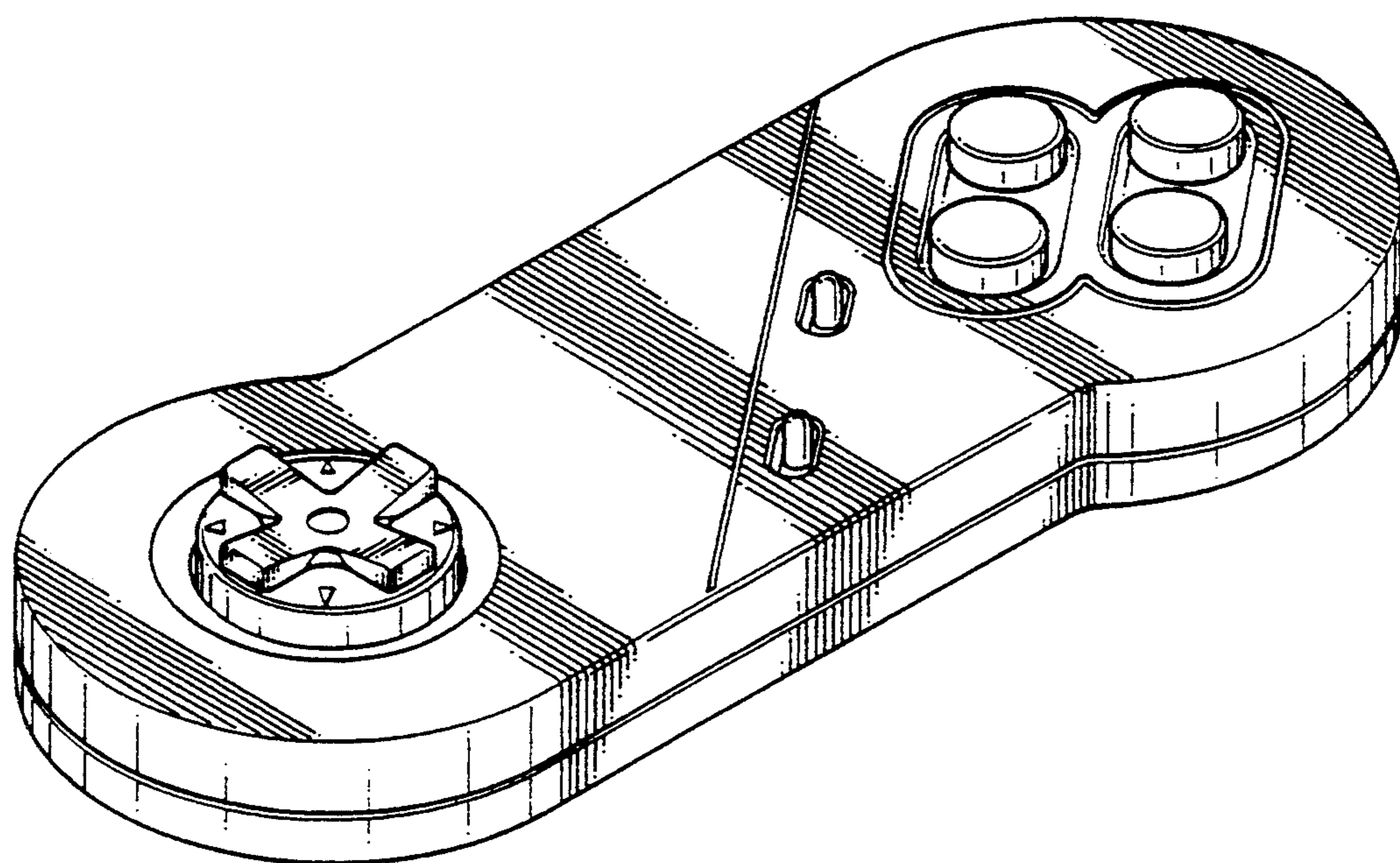


Fig. 1

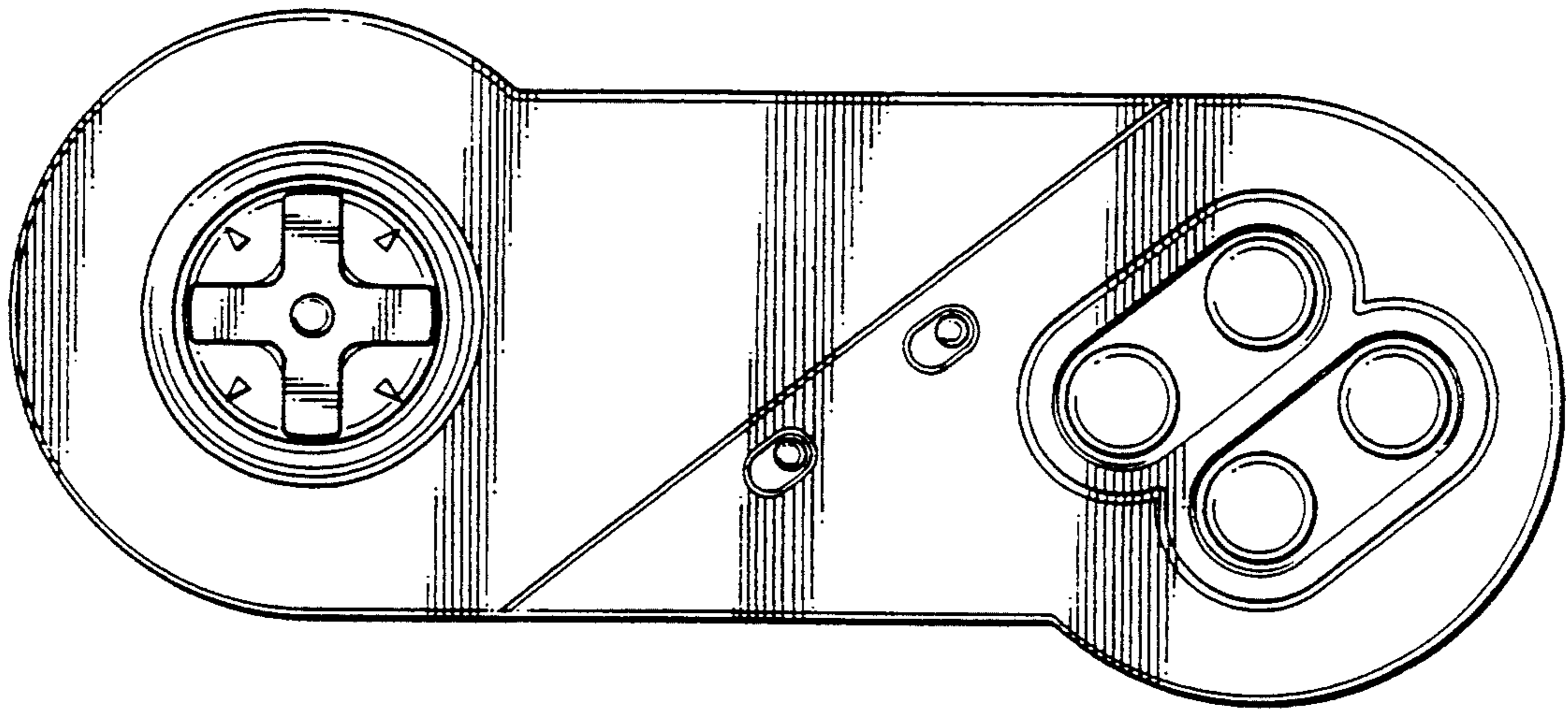


Fig. 2

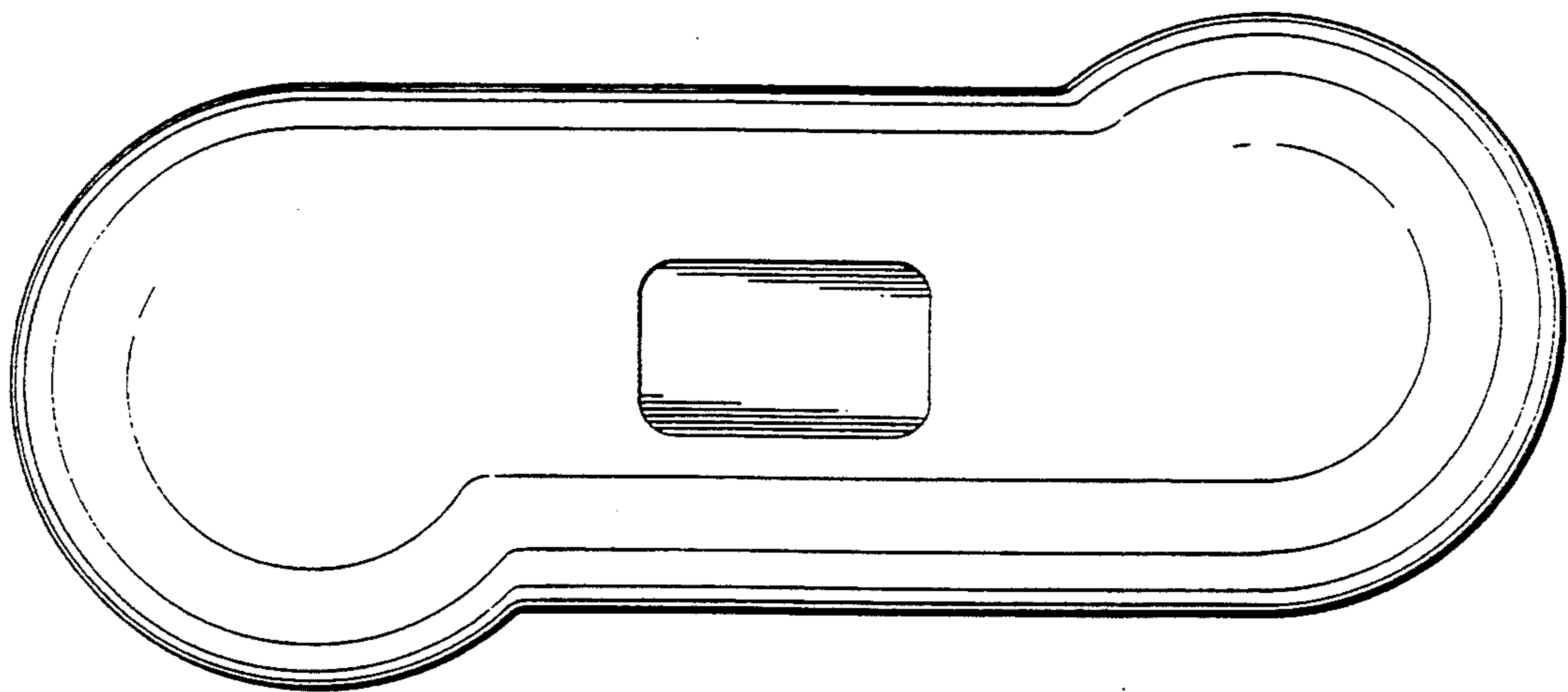


Fig. 3

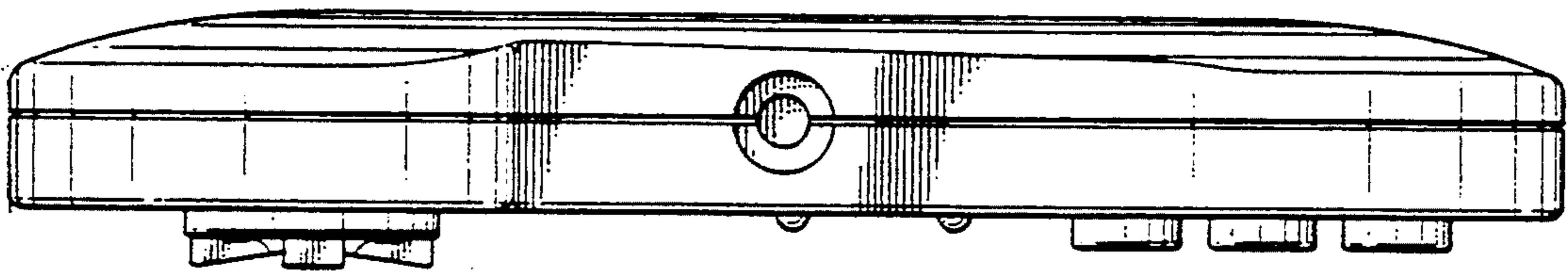


Fig. 4

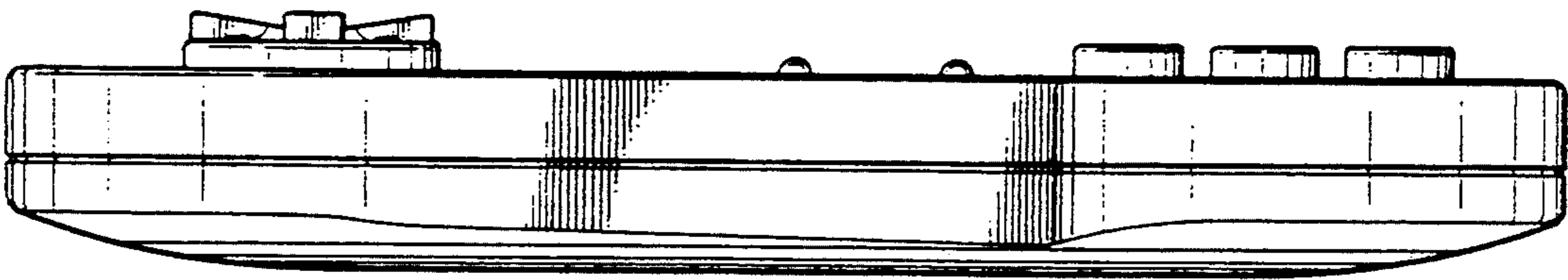


Fig. 5

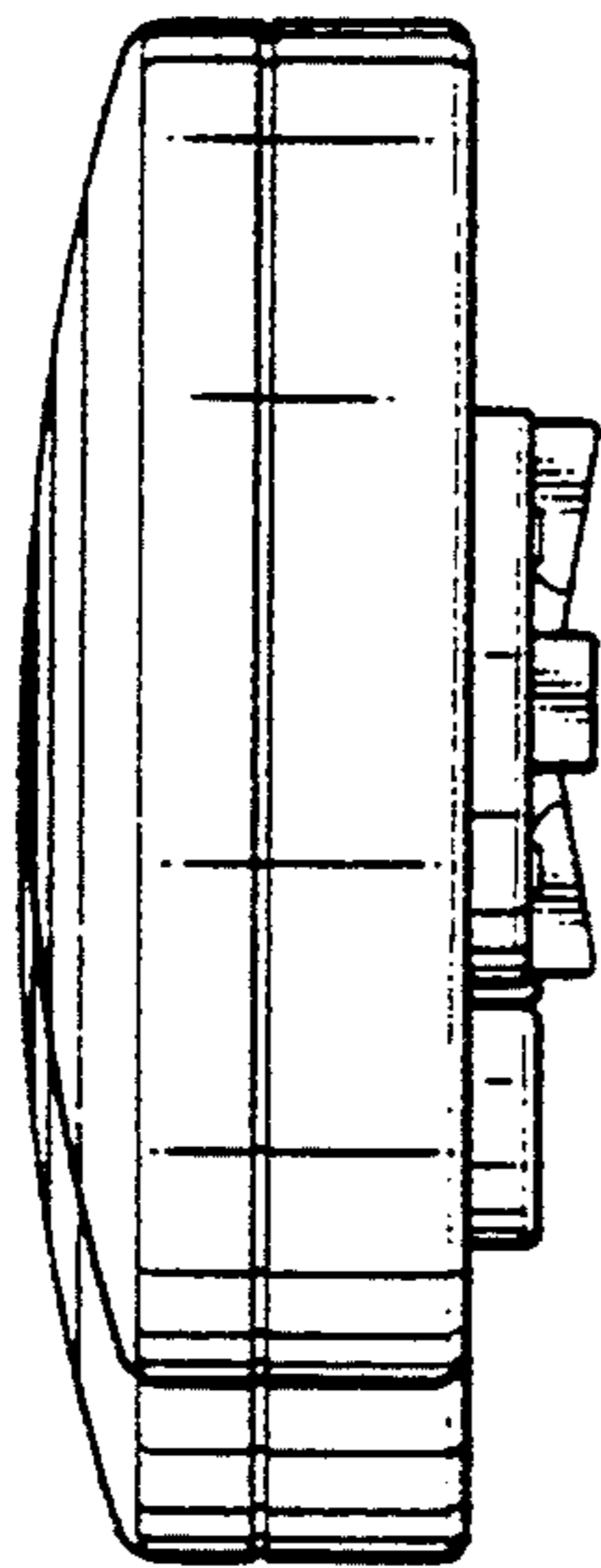


Fig. 6

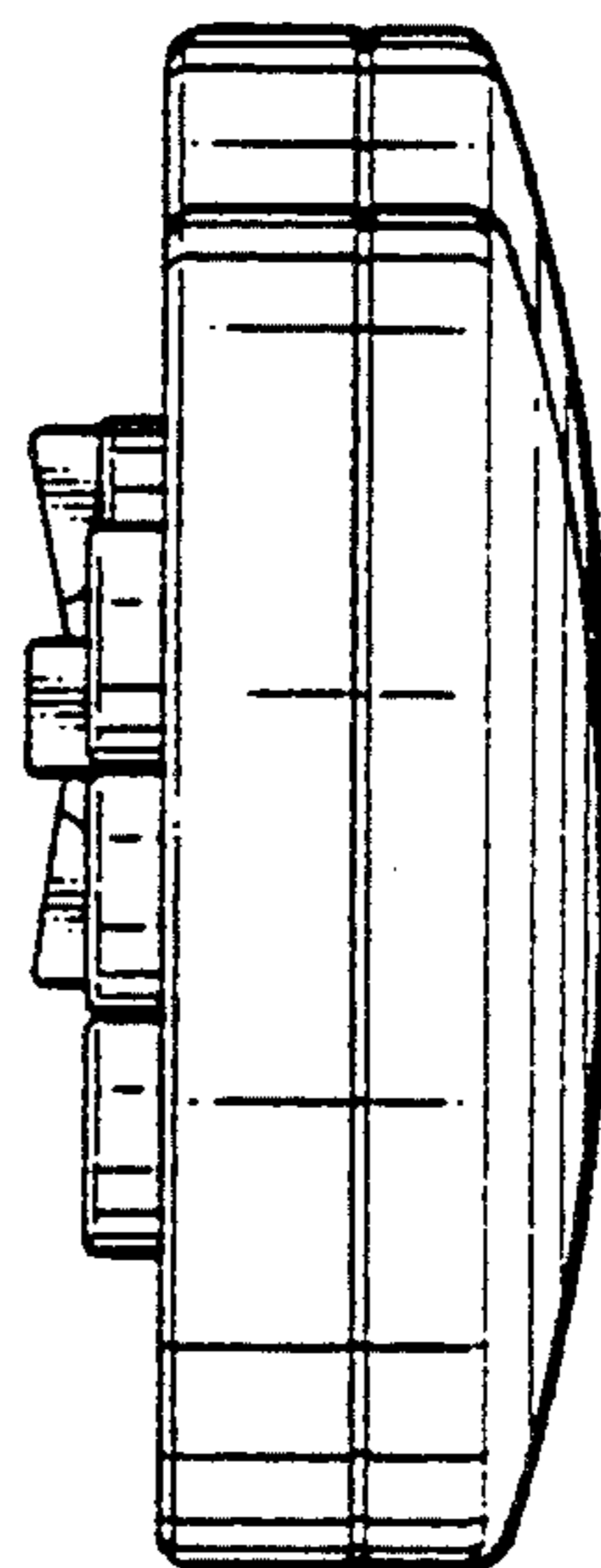


Fig. 7