



US00D362276S

United States Patent [19]

[11] Patent Number: **Des. 362,276**

Murakami

[45] Date of Patent: **** Sep. 12, 1995**

[54] **CARD HOLDER FOR STORAGE RACKS**

D. 301,523 6/1989 Barbieri et al. D6/323
D. 338,846 8/1993 Jewell D10/106
D. 346,182 4/1994 Sherwood, Sr. D20/18

[75] Inventor: **Takeyasu Murakami**, Shizuoka, Japan

Primary Examiner—A. Hugo Word
Assistant Examiner—Marcus Jackson
Attorney, Agent, or Firm—Smith-Hill and Bedell

[73] Assignee: **Yazaki Industrial Chemical Co., Ltd.**, Shizuoka, Japan

[**] Term: **14 Years**

[57] CLAIM

[21] Appl. No.: **21,308**

The ornamental design for a card holder for storage racks, as shown and described.

[22] Filed: **Apr. 12, 1994**

DESCRIPTION

[52] U.S. Cl. **D20/43**

FIG. 1 is a rear perspective view of a card holder for storage racks showing my new design;
FIG. 2 is a front elevational view thereof;
FIG. 3 is a top plan view thereof;
FIG. 4 is a rear elevational view thereof;
FIG. 5 is a bottom end view thereof;
FIG. 6 is a left side elevational view thereof with the opposite side being a mirror image; and,
FIG. 7 is a perspective view thereof, with the broken lines being for illustrative purpose only and forming no part of the claimed design.

[58] **Field of Search** D20/10, 40, 41, 42, D20/43; 40/1, 124, 124.1, 124.2, 124.4, 152, 584, 591, 592, 593, 617, 624; D6/323, 324, 325, 396; 211/134, 86, 90, 87; D8/367, 370, 372

[56] References Cited

U.S. PATENT DOCUMENTS

D. 245,351 8/1977 Hyde et al. D20/40
D. 261,013 9/1981 DesMars D20/42
D. 271,545 11/1983 Zicari et al. D8/367

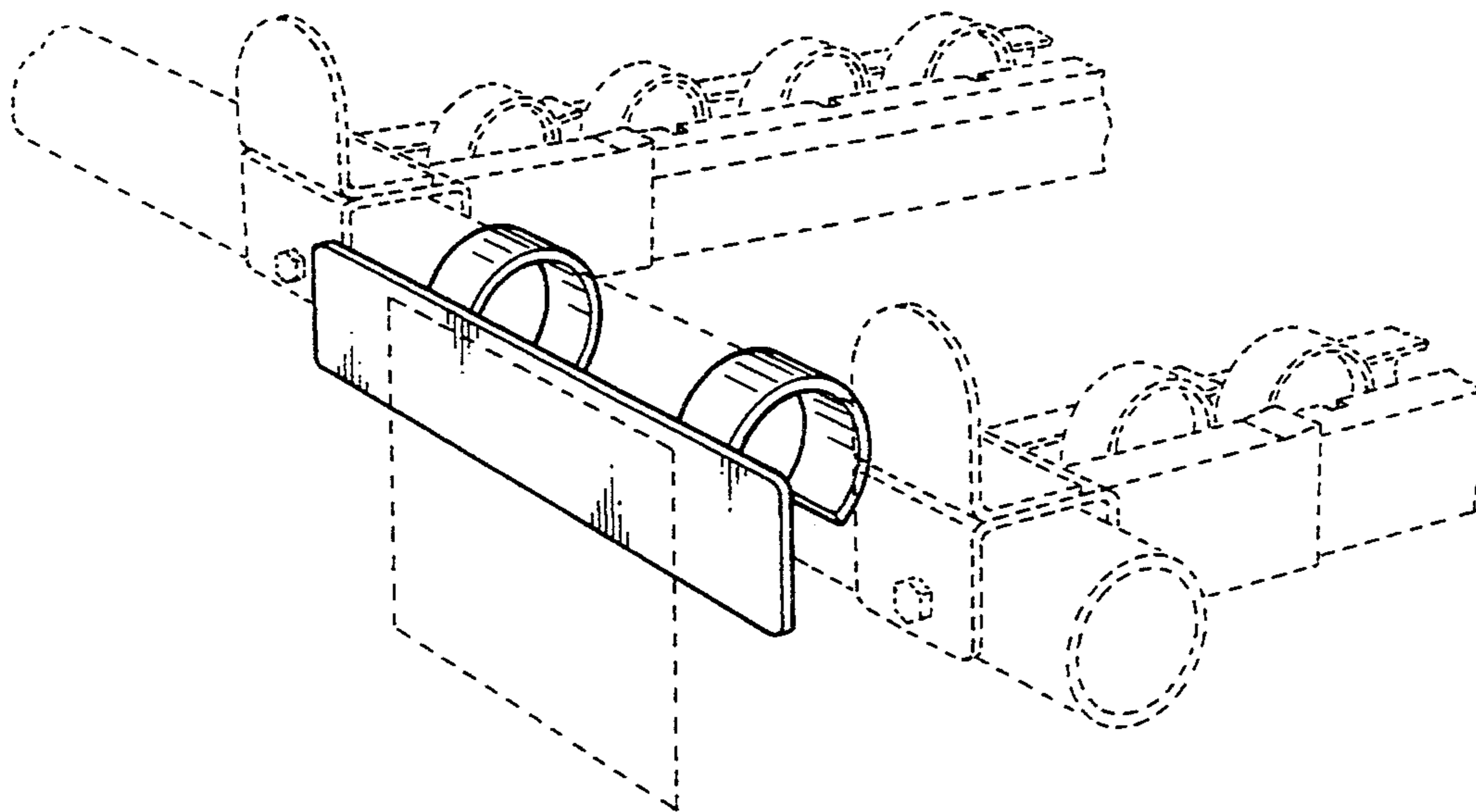


FIG. 1

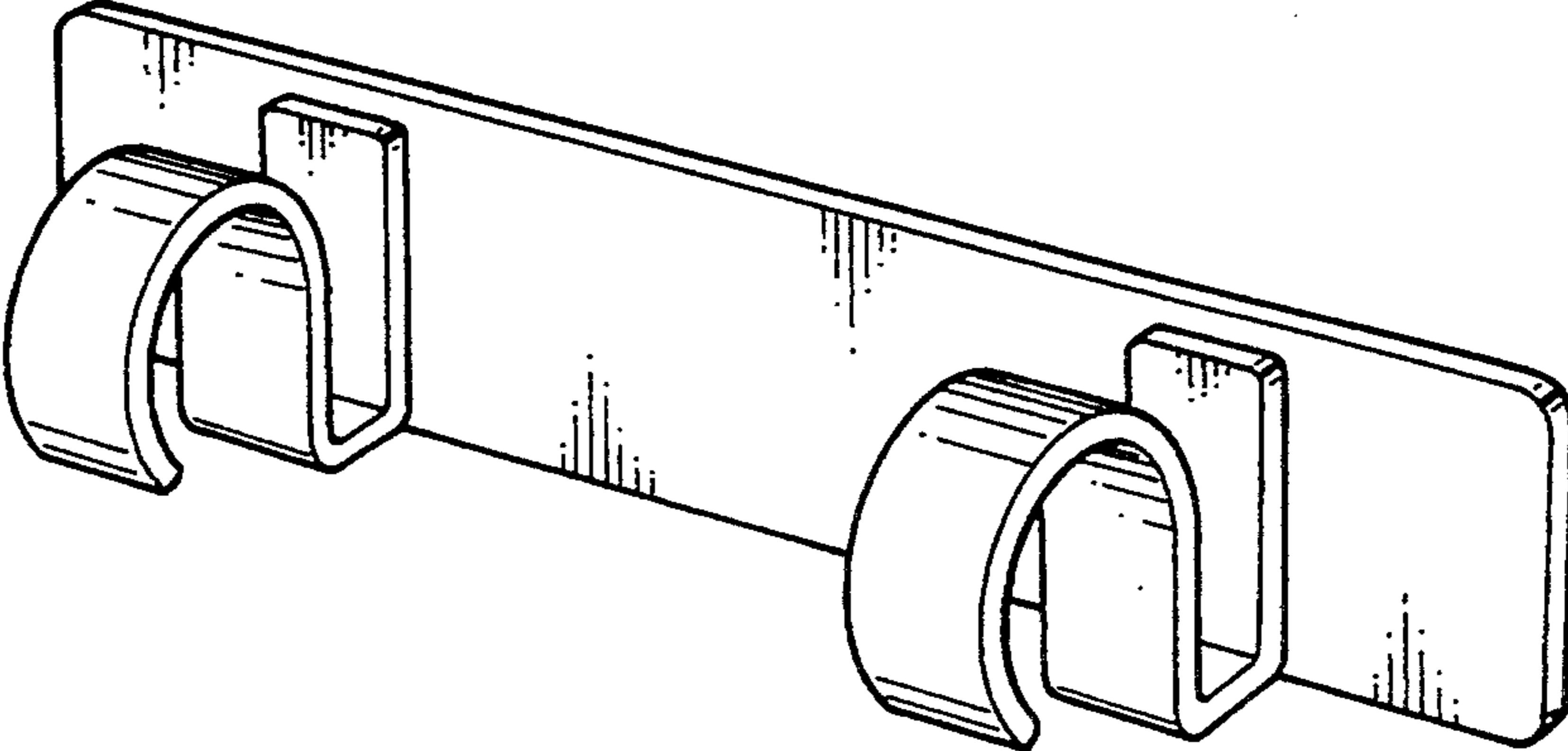


FIG. 2

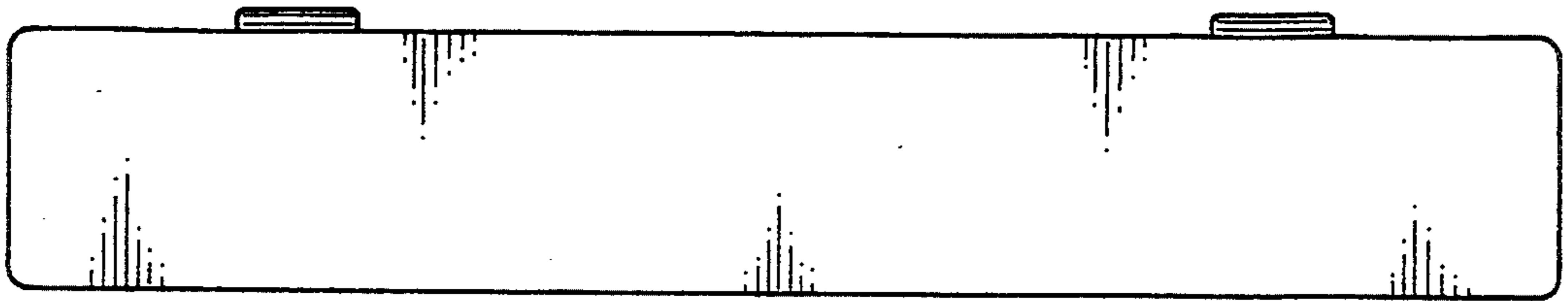


FIG. 3

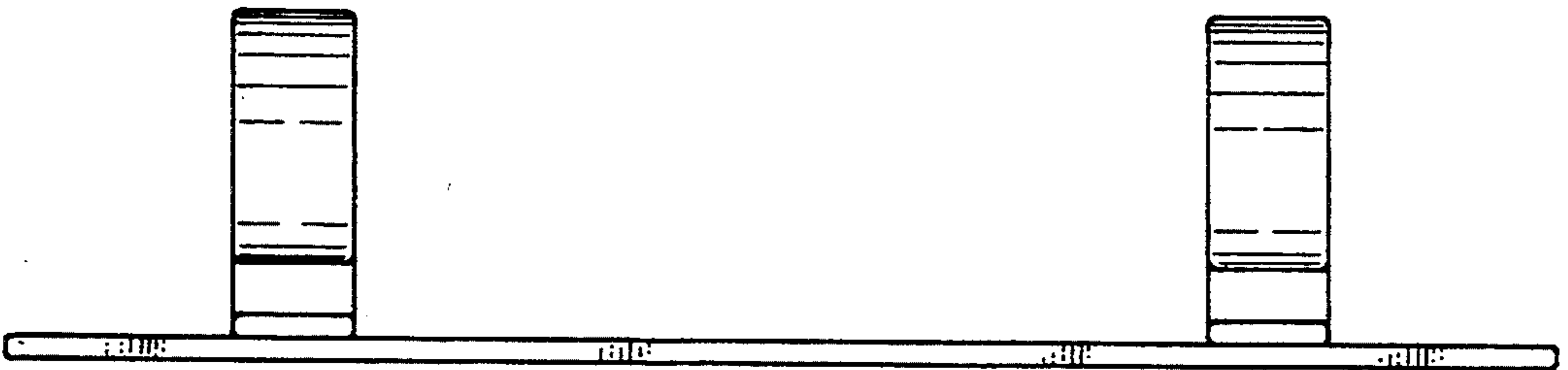


FIG. 4

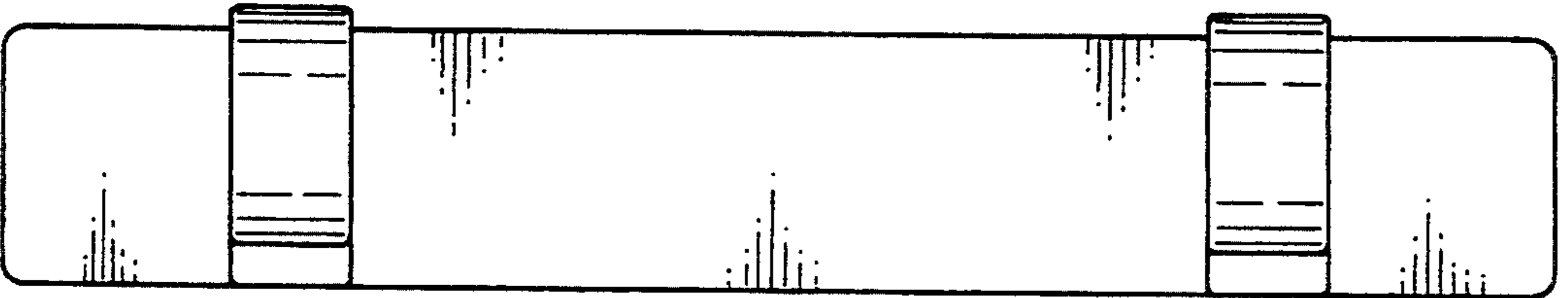


FIG. 5

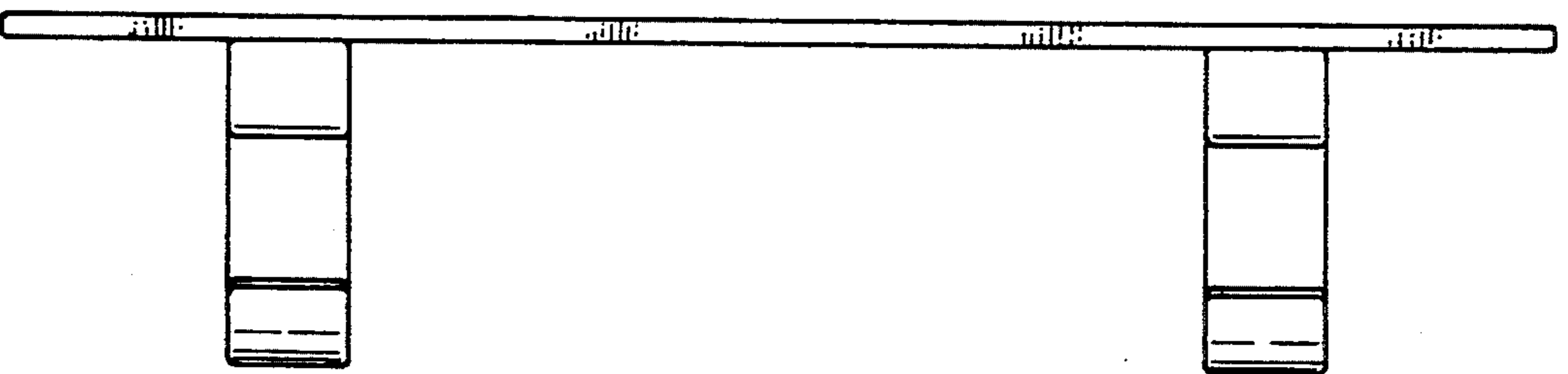


FIG. 6

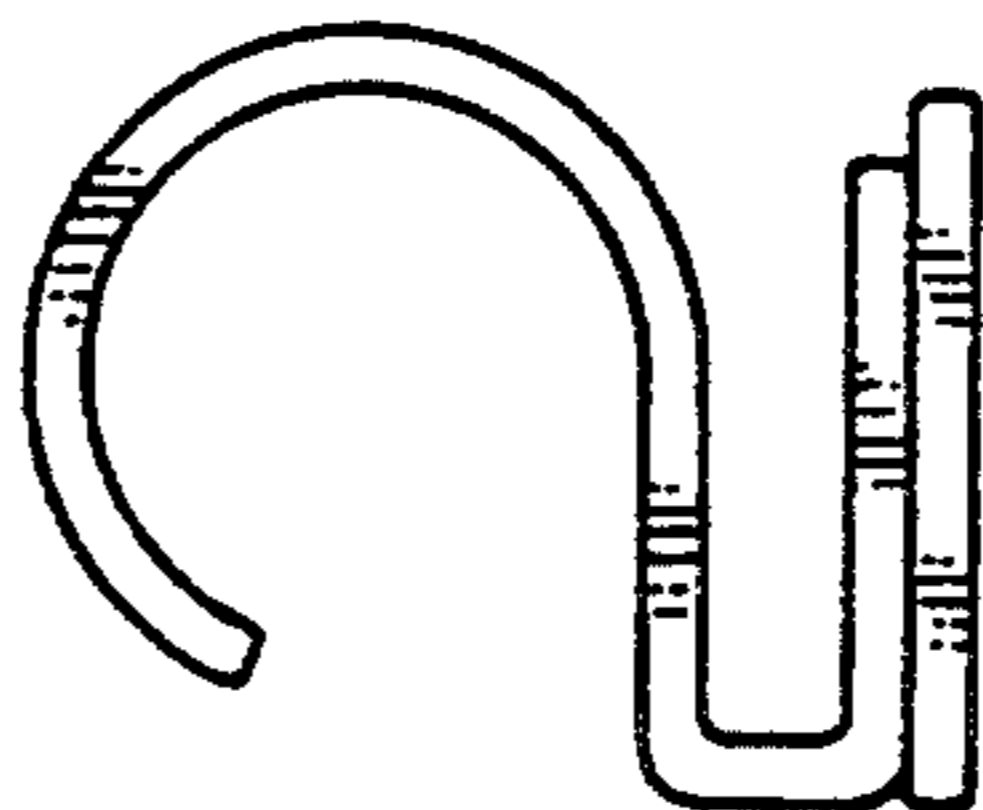


FIG. 7

