



US00D362275S

United States Patent [19] Brittain

[11] Patent Number: **Des. 362,275**

[45] Date of Patent: **** Sep. 12, 1995**

[54] **ADVERTISING SIGN BOARD**

[76] Inventor: **Joe R. Brittain**, 8822 Merritt Rd.,
Rowlett, Tex. 75088

[**] Term: **14 Years**

[21] Appl. No.: **31,766**

[22] Filed: **Dec. 5, 1994**

[52] U.S. Cl. **D20/10; D21/137**

[58] Field of Search **D20/10, 39, 40, 42,
D20/99, 18; 40/1, 124, 124.1, 584, 591, 592,
593, 618, 624; D11/141; D21/136, 137**

[56] **References Cited**

U.S. PATENT DOCUMENTS

D. 219,860 2/1971 Jones et al. D20/10
D. 236,017 7/1975 Korpijaako D21/137

D. 242,581 11/1976 Morris, Jr. D20/10
D. 341,790 11/1993 Wanek D11/141

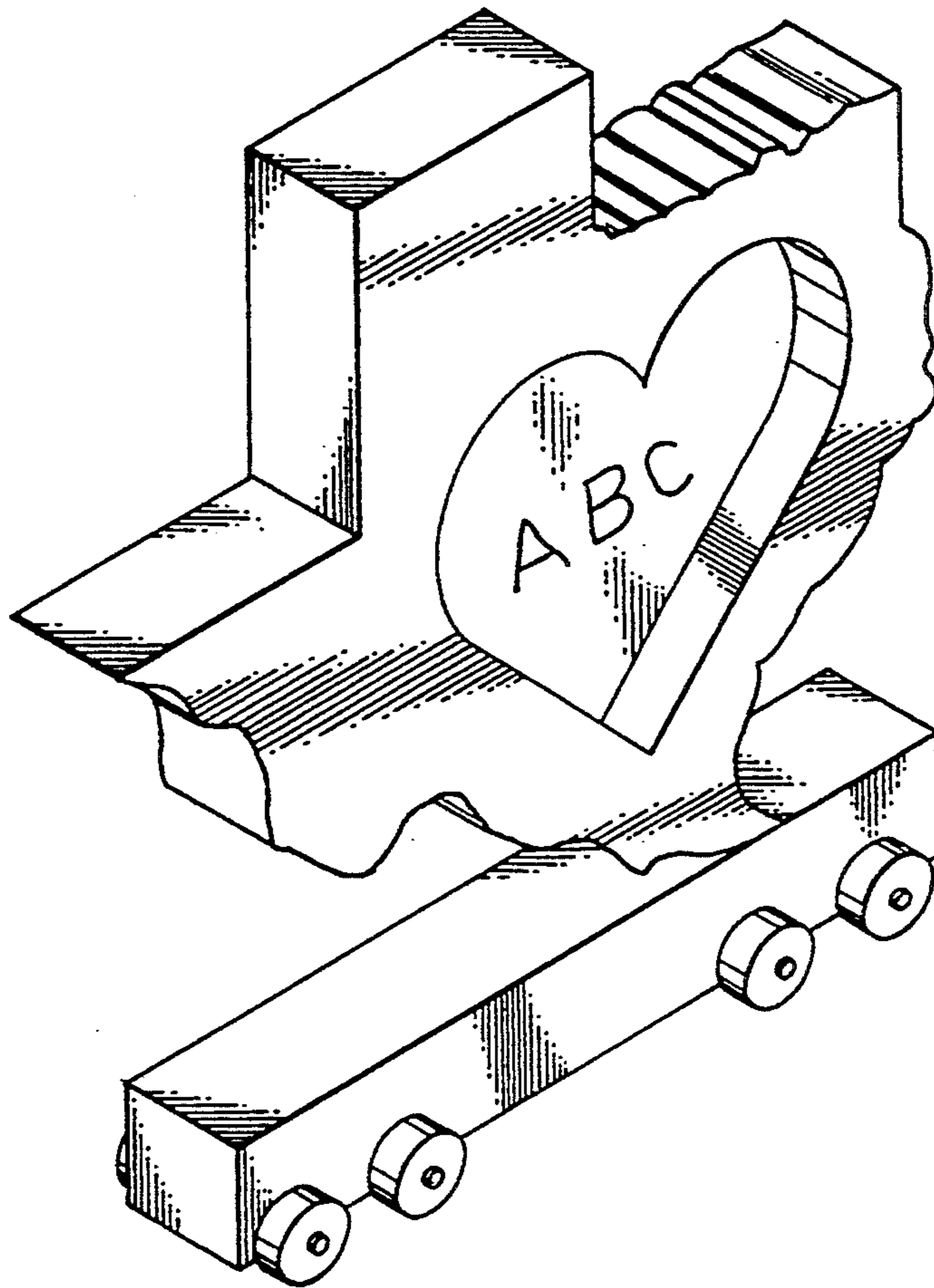
Primary Examiner—A. Hugo Word
Assistant Examiner—Marcus Jackson
Attorney, Agent, or Firm—Daniel Rubin

[57] **CLAIM**

The ornamental design of an advertising sign board, as shown and described.

DESCRIPTION

FIG. 1 is a front perspective view thereof;
FIG. 2 is a front elevation view thereof;
FIG. 3 is a first side elevational view thereof;
FIG. 4 is a top plan view thereof;
FIG. 5 is a bottom plan view thereof;
FIG. 6 is a rear elevational view thereof; and,
FIG. 7 is a second side elevational view thereof.



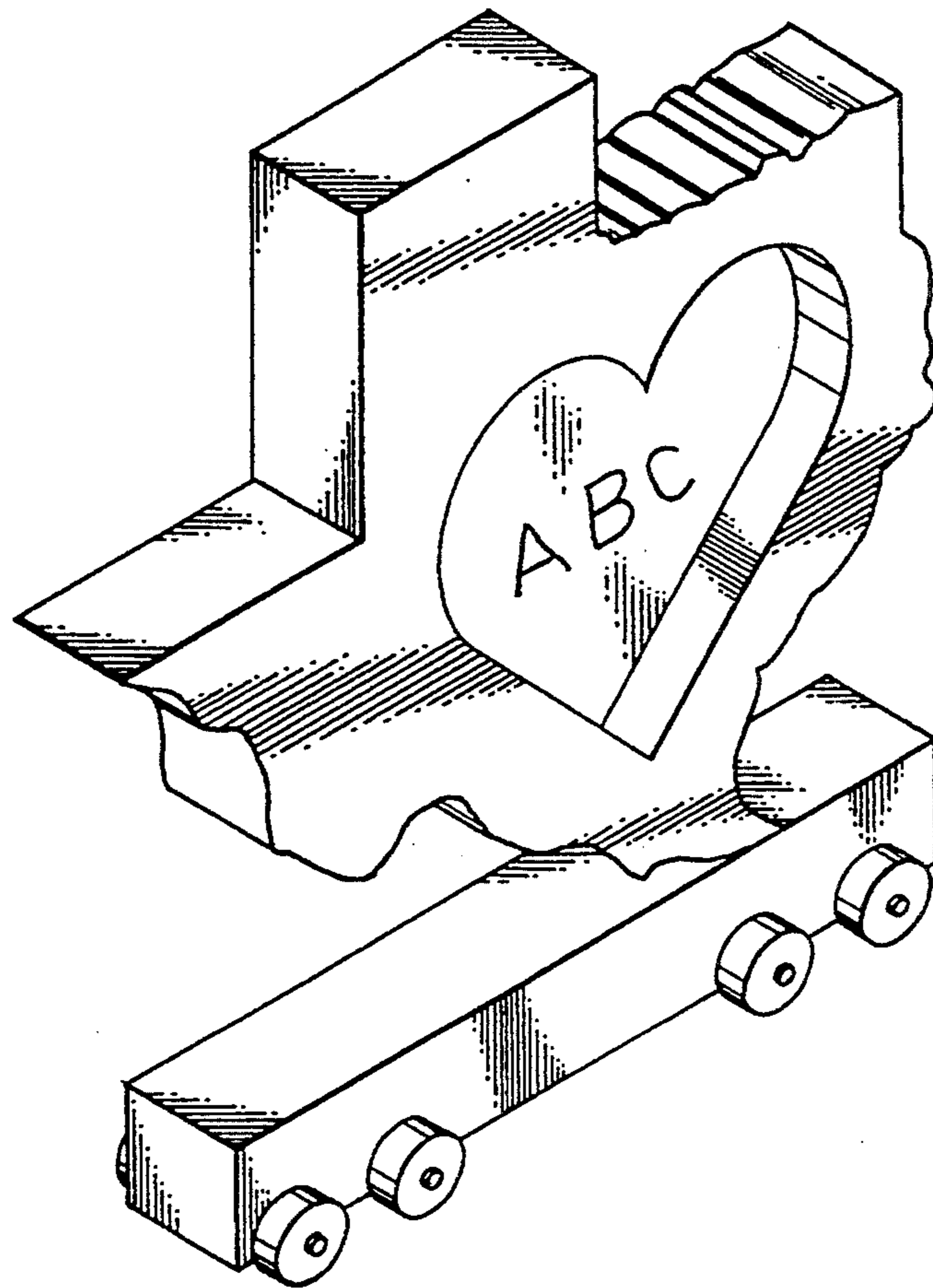


Fig. 1

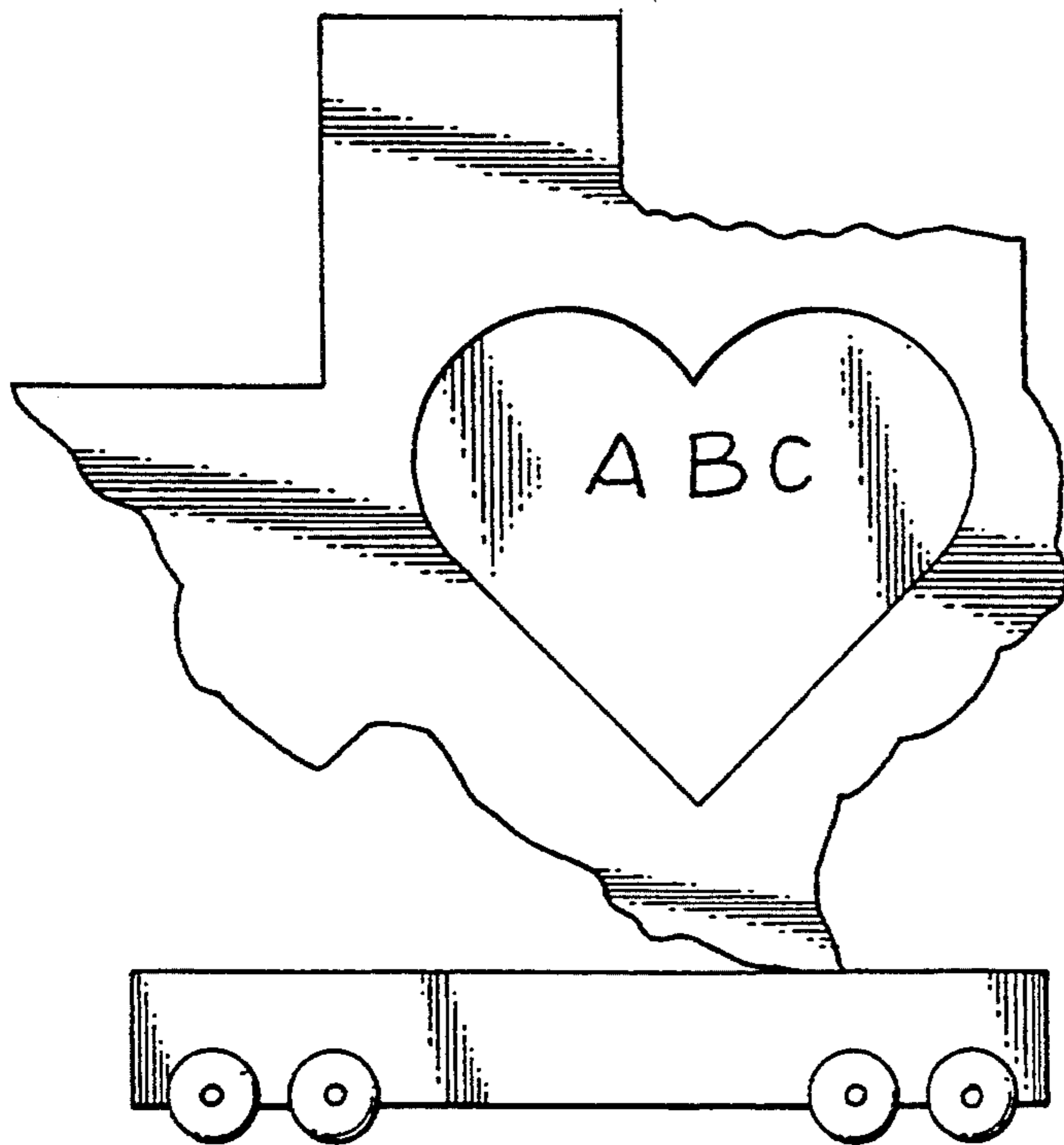


Fig. 2

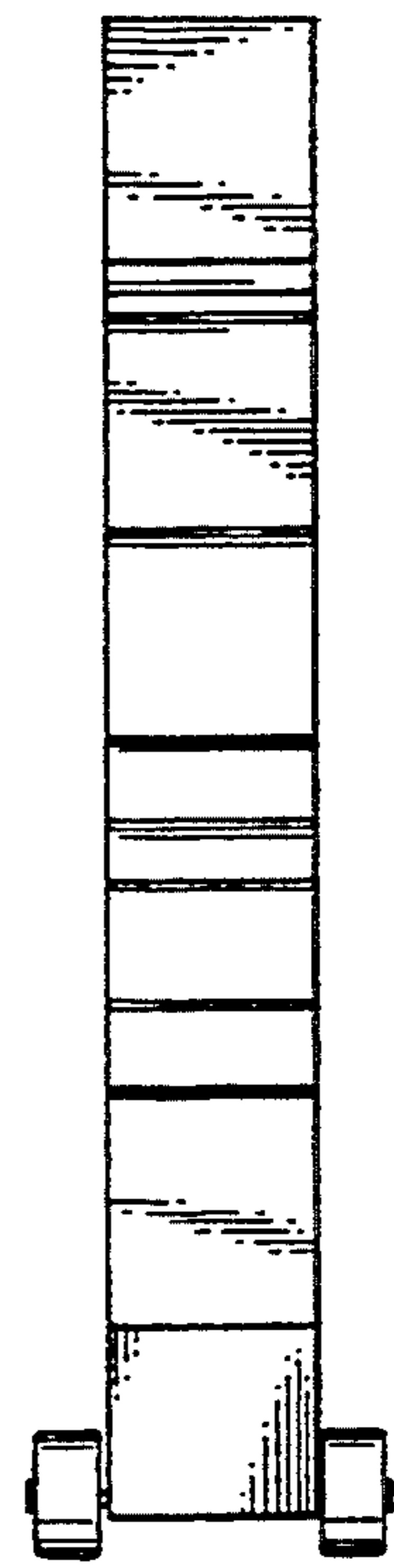


Fig. 3



Fig. 4

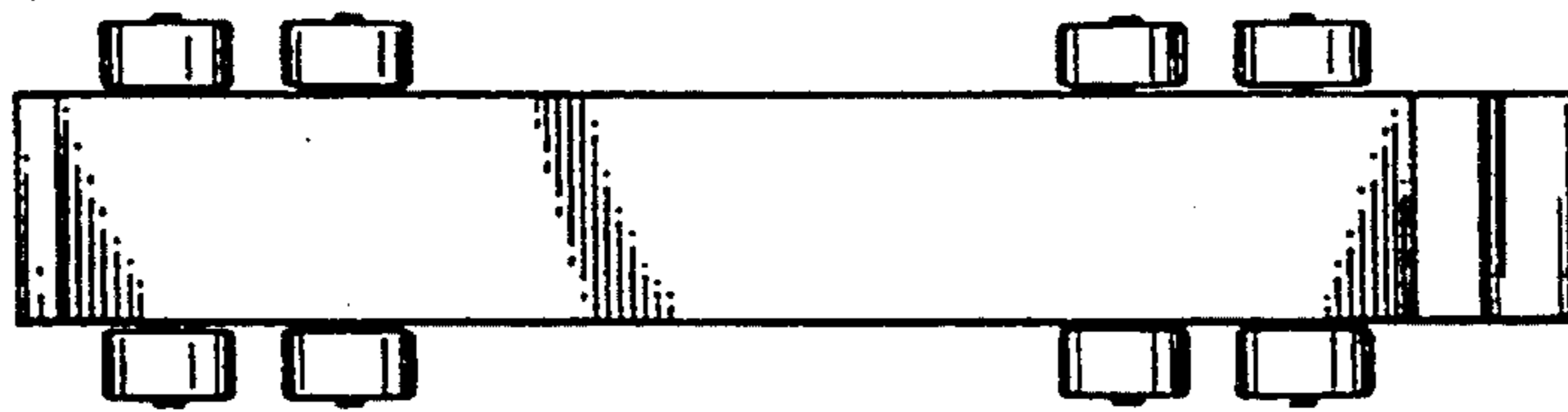


Fig. 5

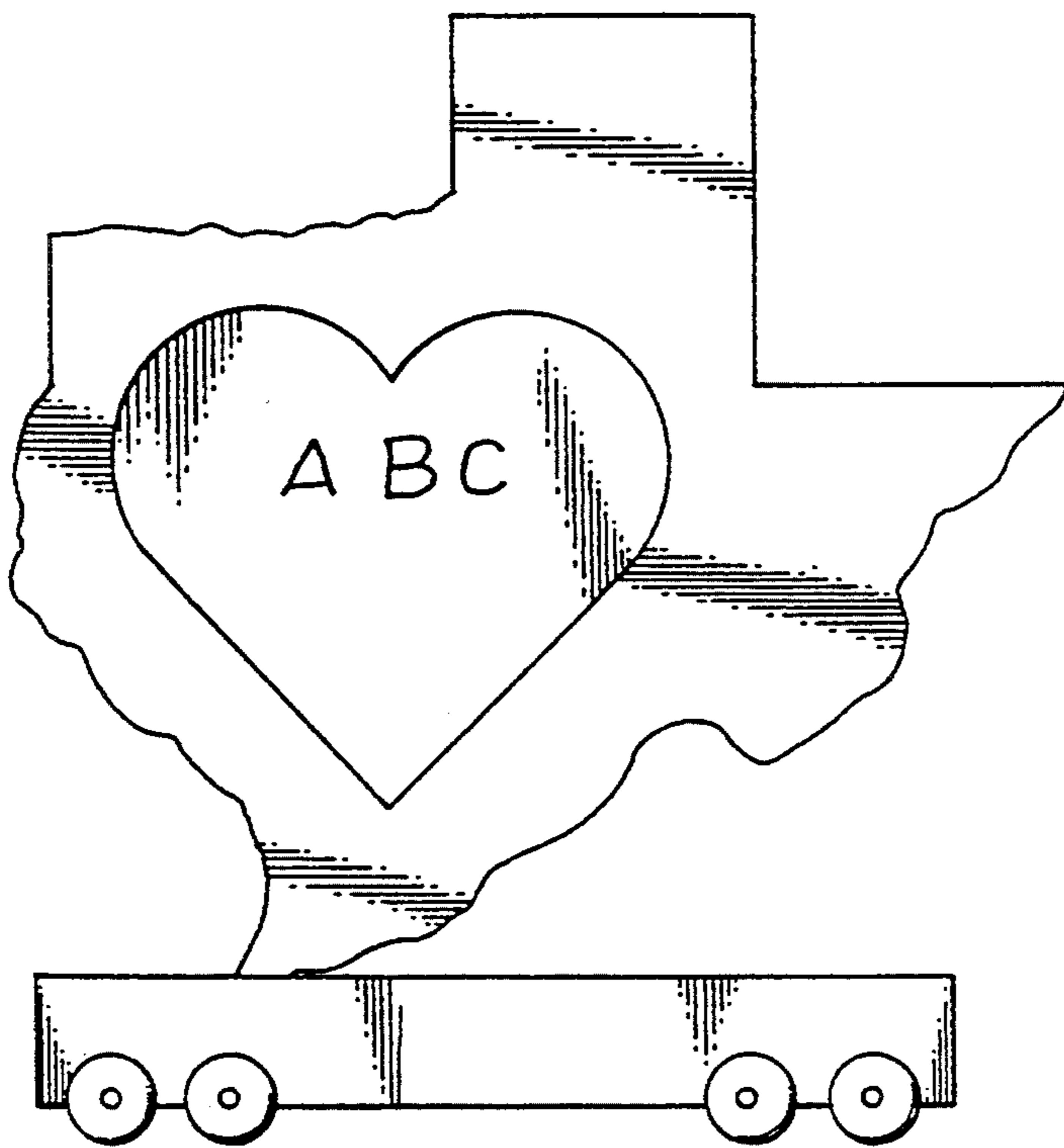


Fig. 6

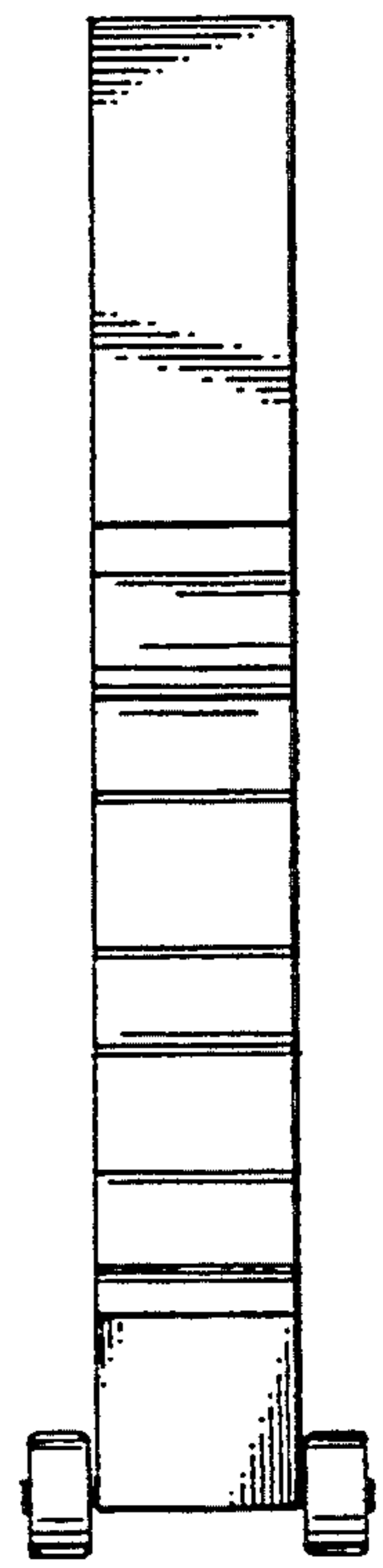


Fig. 7