



US00D362271S

United States Patent [19]

[11] Patent Number: **Des. 362,271**

Luong

[45] Date of Patent: **** Sep. 12, 1995**

[54] **ELECTRONIC BOOK WITH DISPLAY SCREEN AND FOLDING COVER**

D. 340,917 11/1993 Sakaguchi et al. D18/7 X
D. 341,573 11/1993 Sakaguchi et al. D18/7 X
D. 348,439 7/1994 Luong .
D. 349,278 8/1994 Wetrih D14/106

[75] Inventor: **Ngoc M. Luong**, Maple Shade, N.J.

[73] Assignee: **Franklin Electronic Publishers, Incorporated**, Mt. Holly, N.J.

Primary Examiner—A. Hugo Word
Assistant Examiner—Pamela Burgess
Attorney, Agent, or Firm—McAulay Fisher Nissen
Goldberg & Kiel

[**] Term: **14 Years**

[21] Appl. No.: **27,906**

[57] CLAIM

[22] Filed: **Sep. 1, 1994**

The ornamental design for an electronic book with display screen and folding cover, as shown and described.

[52] U.S. Cl. **D19/60; D14/106; D21/13; D18/7**

[58] Field of Search **D19/59-64; D14/100, 106; D18/1, 6, 7, 11; D21/13; 434/322, 323, 324, 327, 317, 339; 235/145 A, 145 R; 341/22, 23**

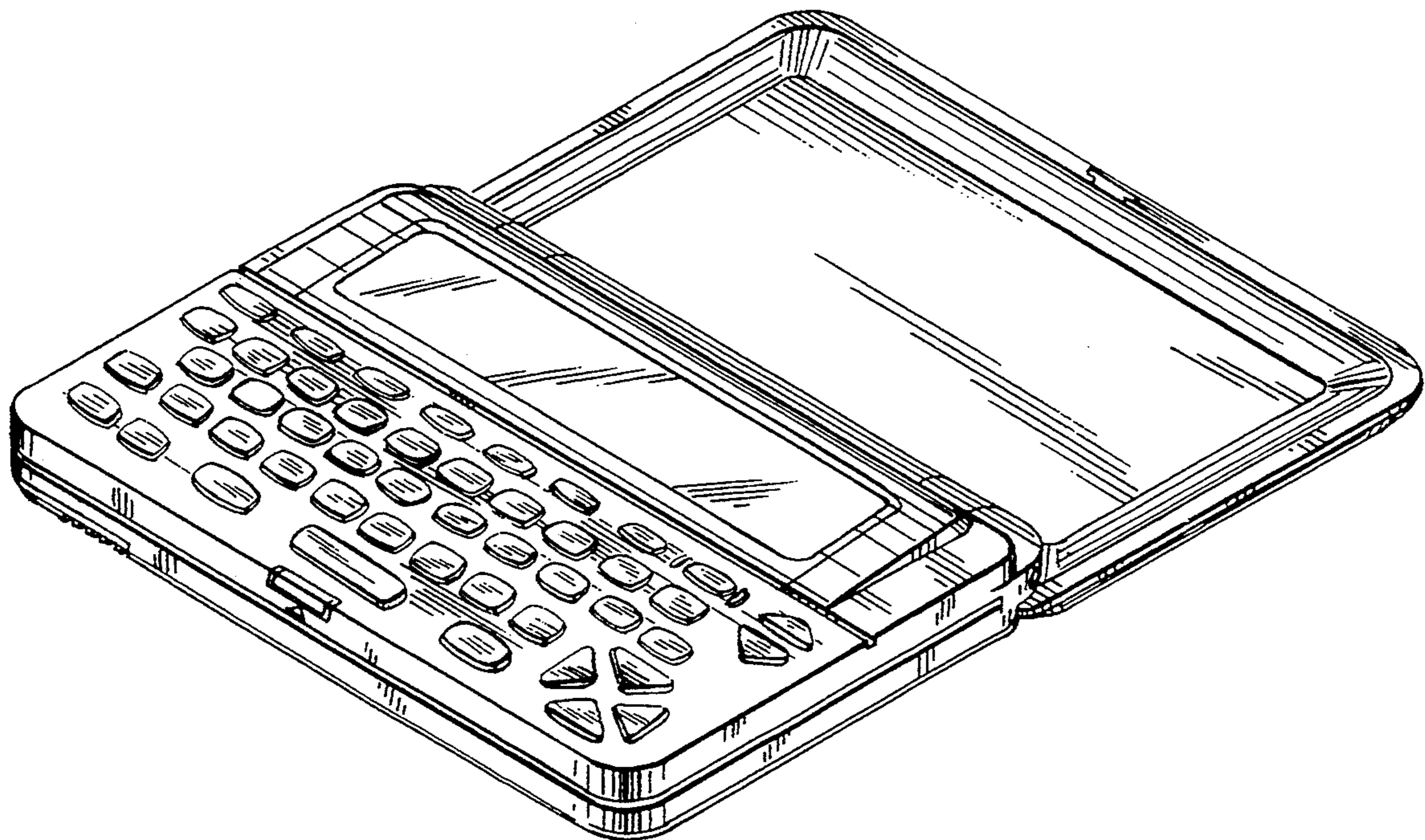
DESCRIPTION

[56] References Cited

U.S. PATENT DOCUMENTS

D. 300,534 4/1989 Luong .
D. 312,831 12/1990 Sawada et al. D18/7 X
D. 321,016 10/1991 Leung D21/13
D. 324,513 3/1992 Sakaguchi et al. D18/7 X
D. 324,673 3/1992 Iins D14/106
D. 337,099 6/1993 Dornback et al. D14/106
D. 339,112 9/1993 Foy et al. D14/106

FIG. 1 is a top perspective view of an electronic book with display screen and folding cover showing my new design with the cover closed;
FIG. 2 is a front elevational view thereof;
FIG. 3 is a top plan view thereof;
FIG. 4 is a left side elevational view thereof;
FIG. 5 is a right side elevational view thereof;
FIG. 6 is a bottom plan view thereof;
FIG. 7 is a rear elevational view thereof;
FIG. 8 is a top perspective view thereof, with the cover opened; and,
FIG. 9 is a right side elevational view thereof.



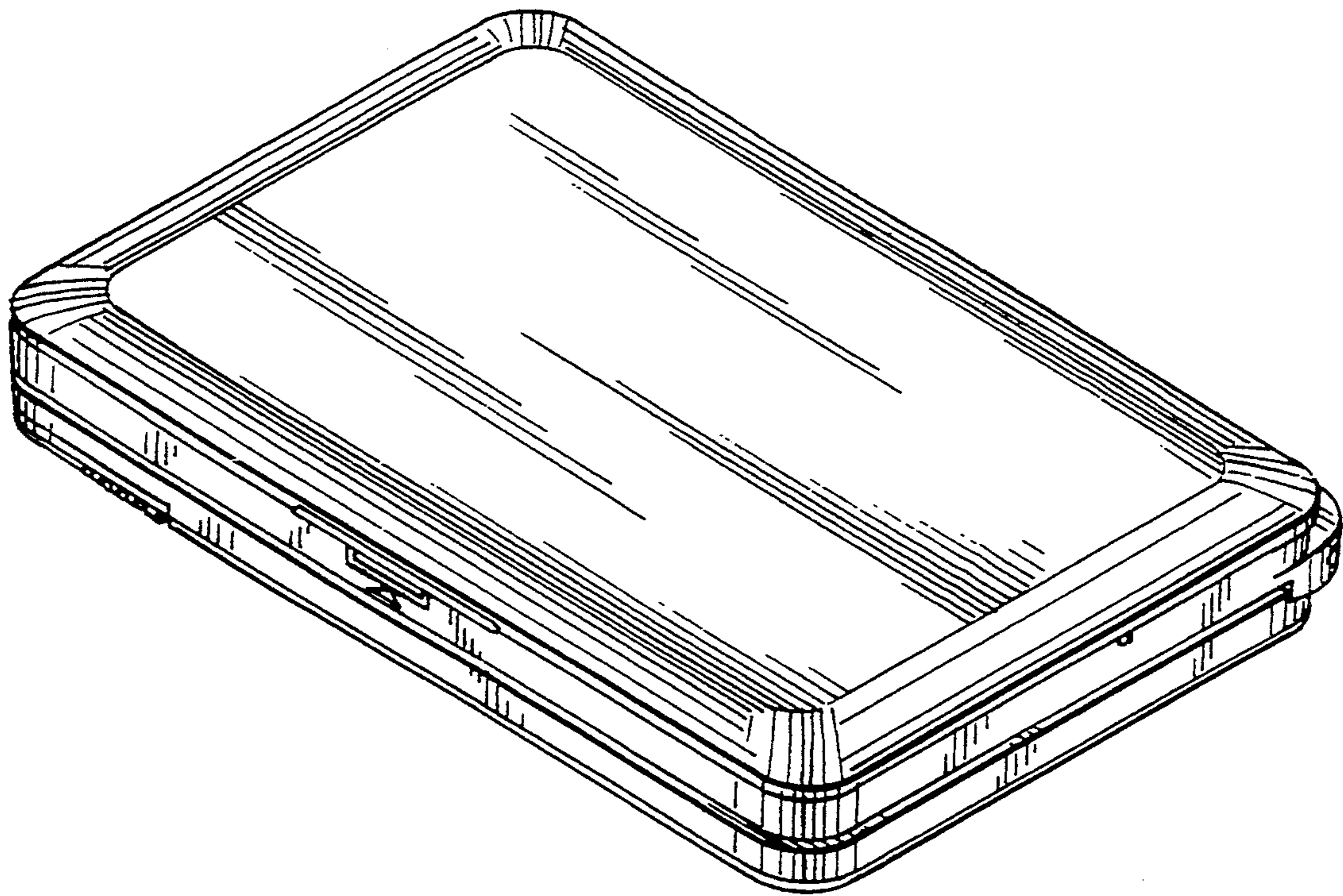


FIG. 1

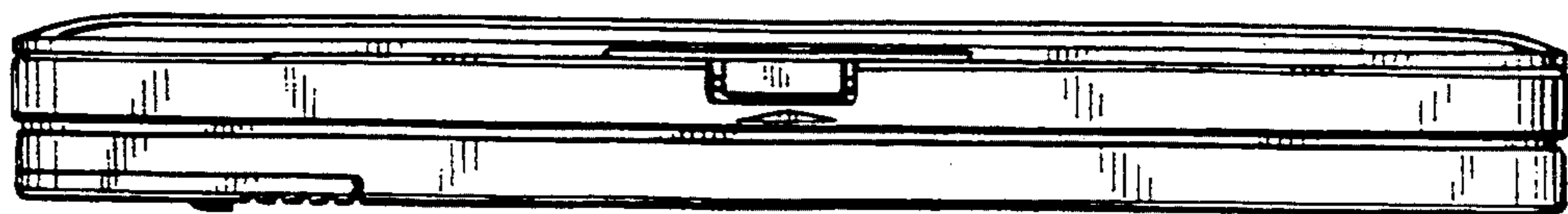


FIG. 2

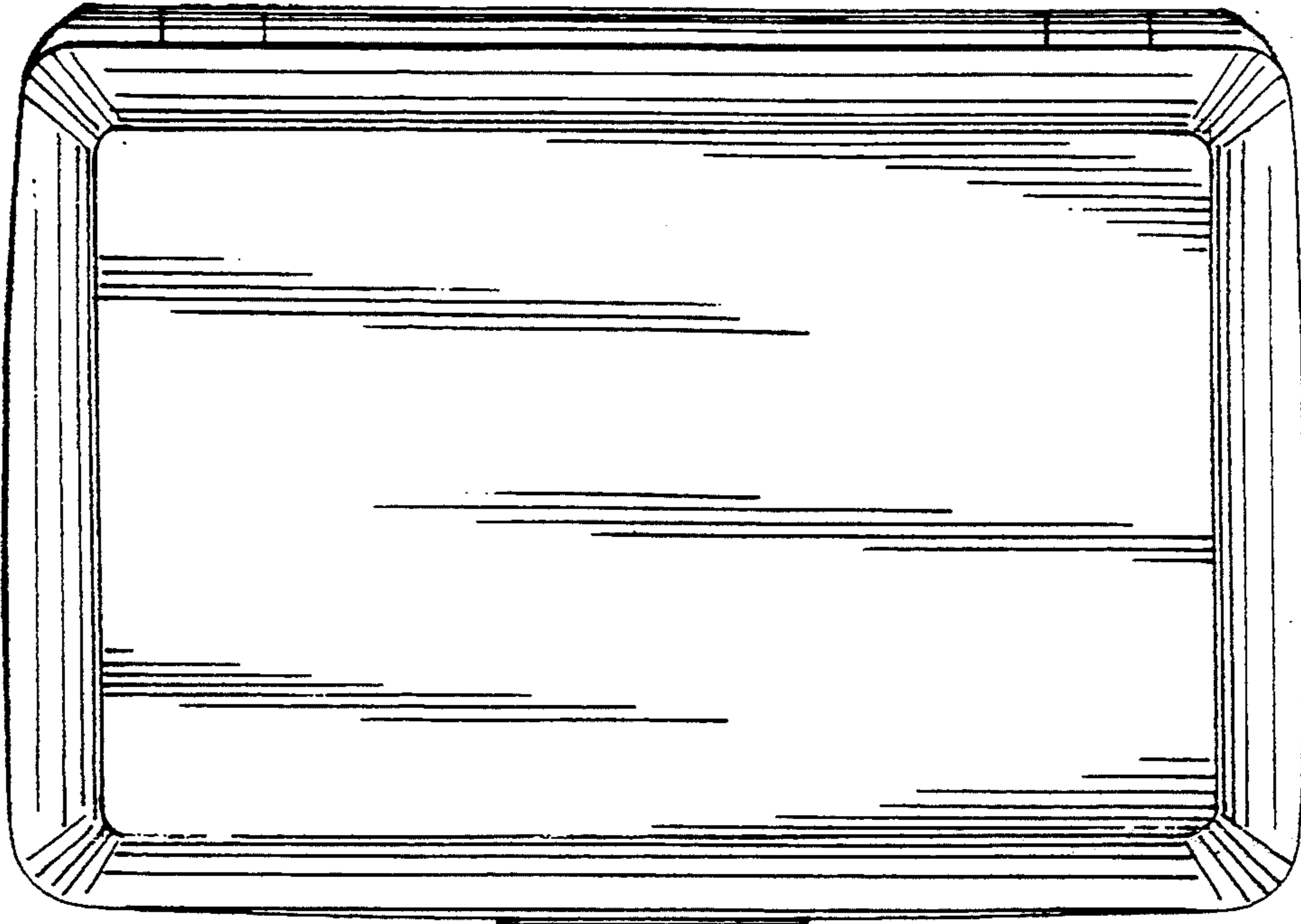


FIG. 3



FIG. 4

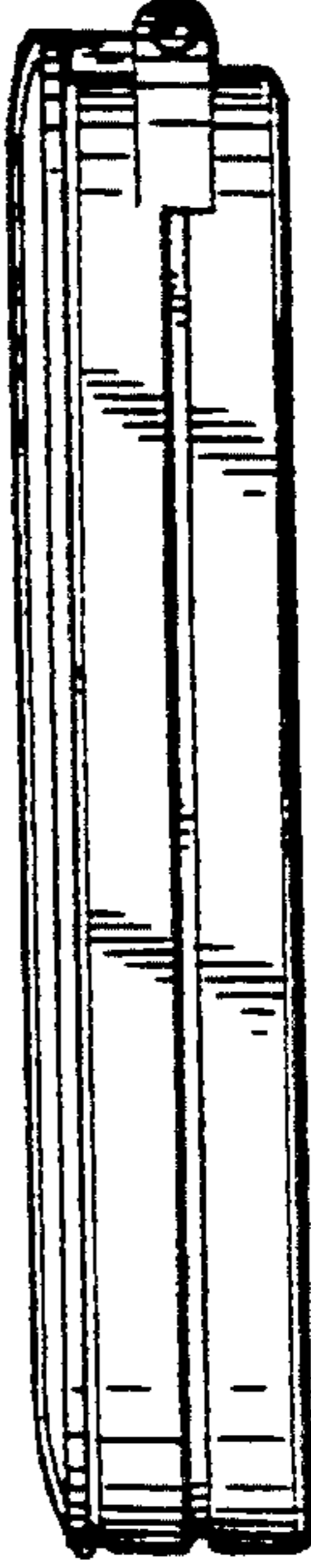


FIG. 5

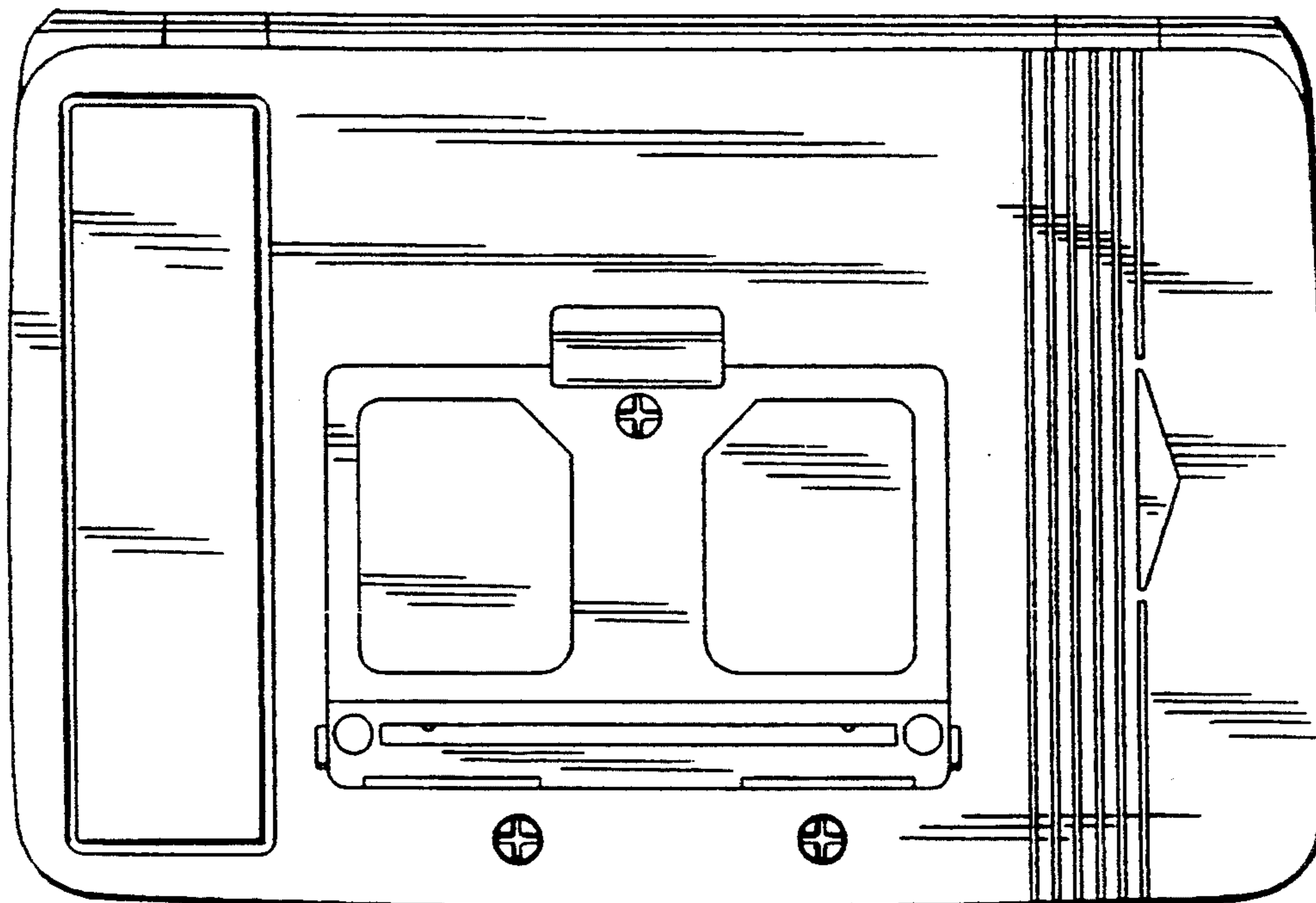


FIG. 6

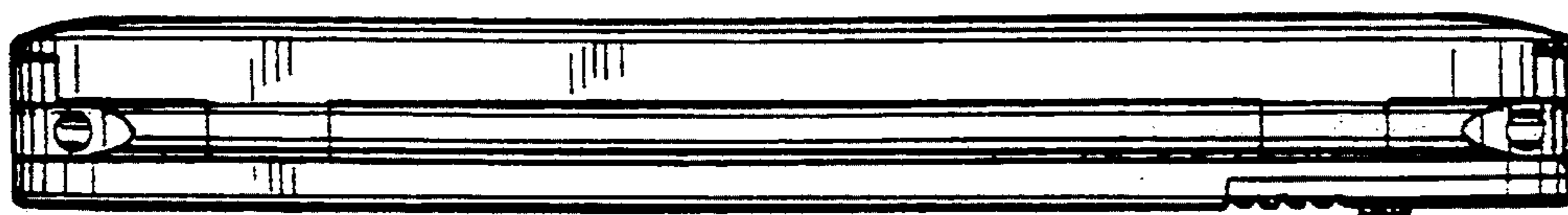


FIG. 7

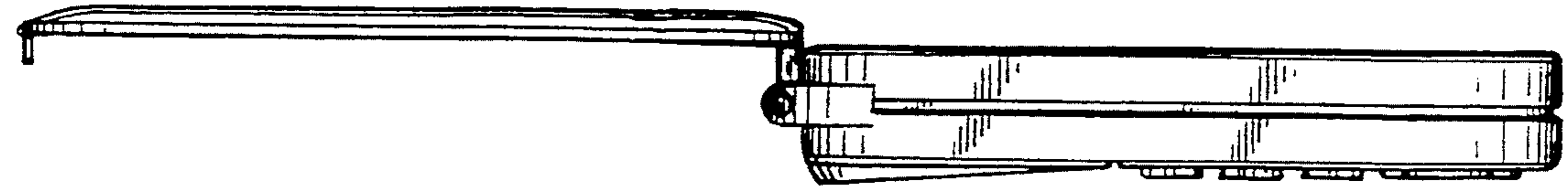


FIG. 9

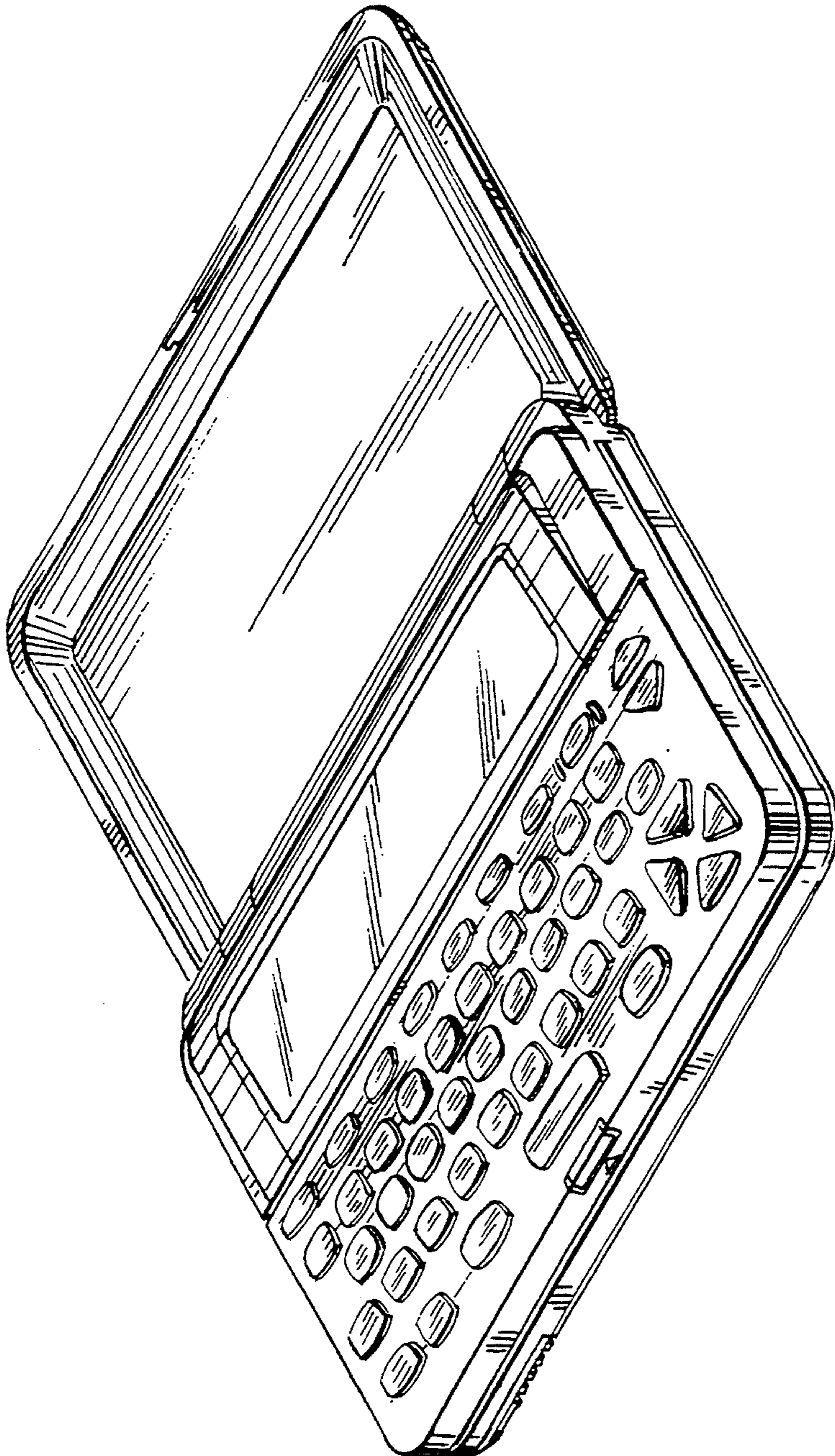


FIG. 8