



US00D362270S

United States Patent [19]

[11] Patent Number: **Des. 362,270**

Allen

[45] Date of Patent: **** Sep. 12, 1995**

[54] **ELECTRONIC INSTRUMENT FOR TEACHING THE ALPHABET**

4,664,633 5/1987 Garda 33/564
5,027,523 7/1991 MacLeod 33/564

[76] Inventor: **Irene Allen**, 4011 Creekwood Terrace La., Chattanooga, Tenn. 37421

Primary Examiner—A. Hugo Word
Assistant Examiner—Pamela Burgess
Attorney, Agent, or Firm—Terry M. Gernstein

[**] Term: **14 Years**

[57] **CLAIM**

[21] Appl. No.: **25,808**

The ornamental design for an electronic instrument for teaching the alphabet.

[22] Filed: **Jul. 12, 1994**

DESCRIPTION

[52] U.S. Cl. **D19/60; D14/100**

FIG. 1 is a front, top and side perspective view of the electronic instrument for teaching the alphabet showing my new design;

[58] Field of Search **D19/59, 60; D14/100; D21/13; D18/7; 434/169, 323, 324, 327**

FIG. 2 is a top plan view thereof;

FIG. 3 is a rear plan view thereof;

FIG. 4 is a side elevational view thereof;

FIG. 5 is a side elevational view thereof;

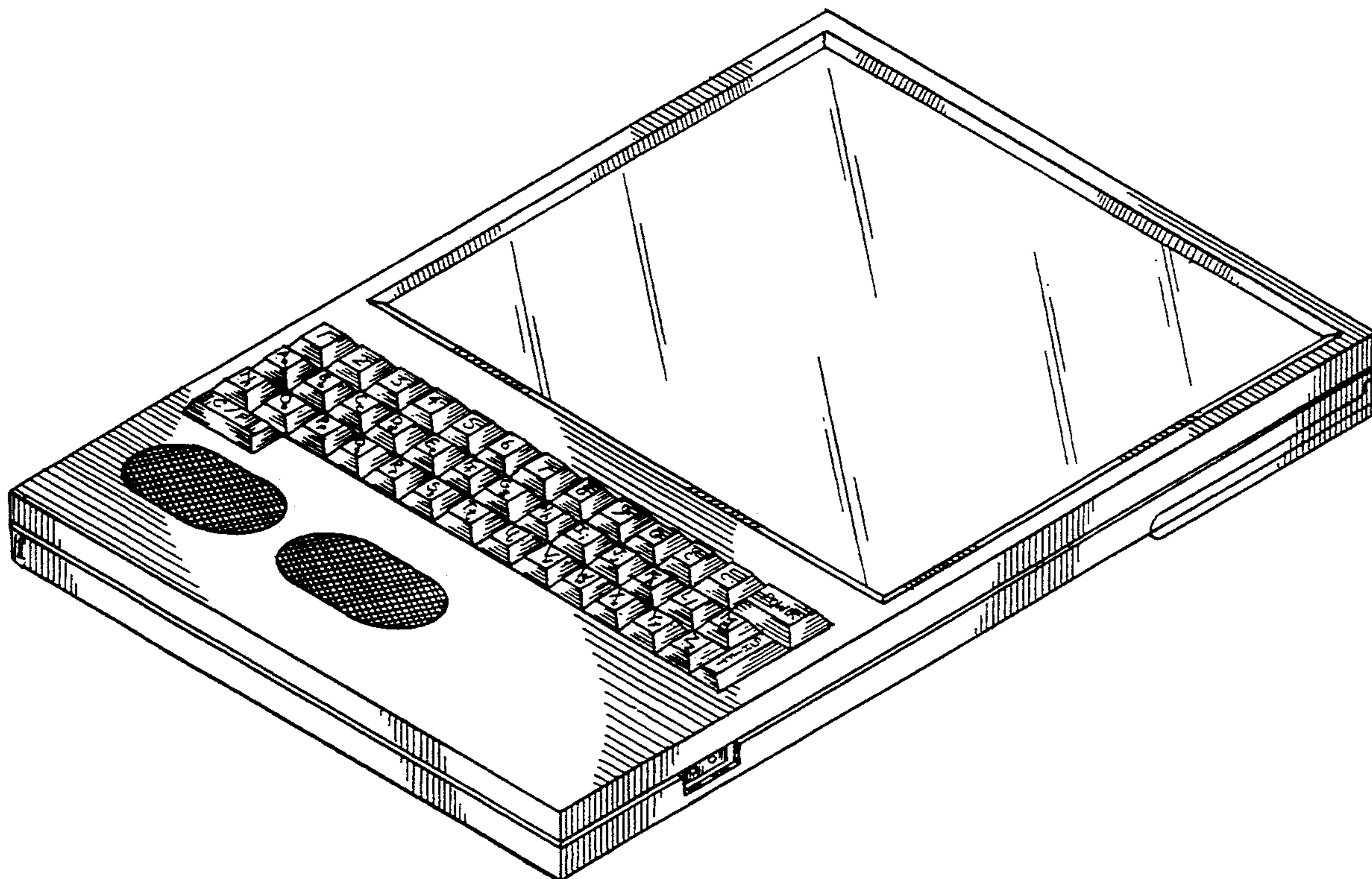
FIG. 6 is a top end elevational view thereof; and,

FIG. 7 is a bottom end elevational view thereof.

[56] **References Cited**

U.S. PATENT DOCUMENTS

- D. 137,905 5/1944 Kardux 33/565
- D. 354,742 1/1995 Hamilton D19/26 X
- 4,142,236 2/1979 Martz et al. D18/7 X



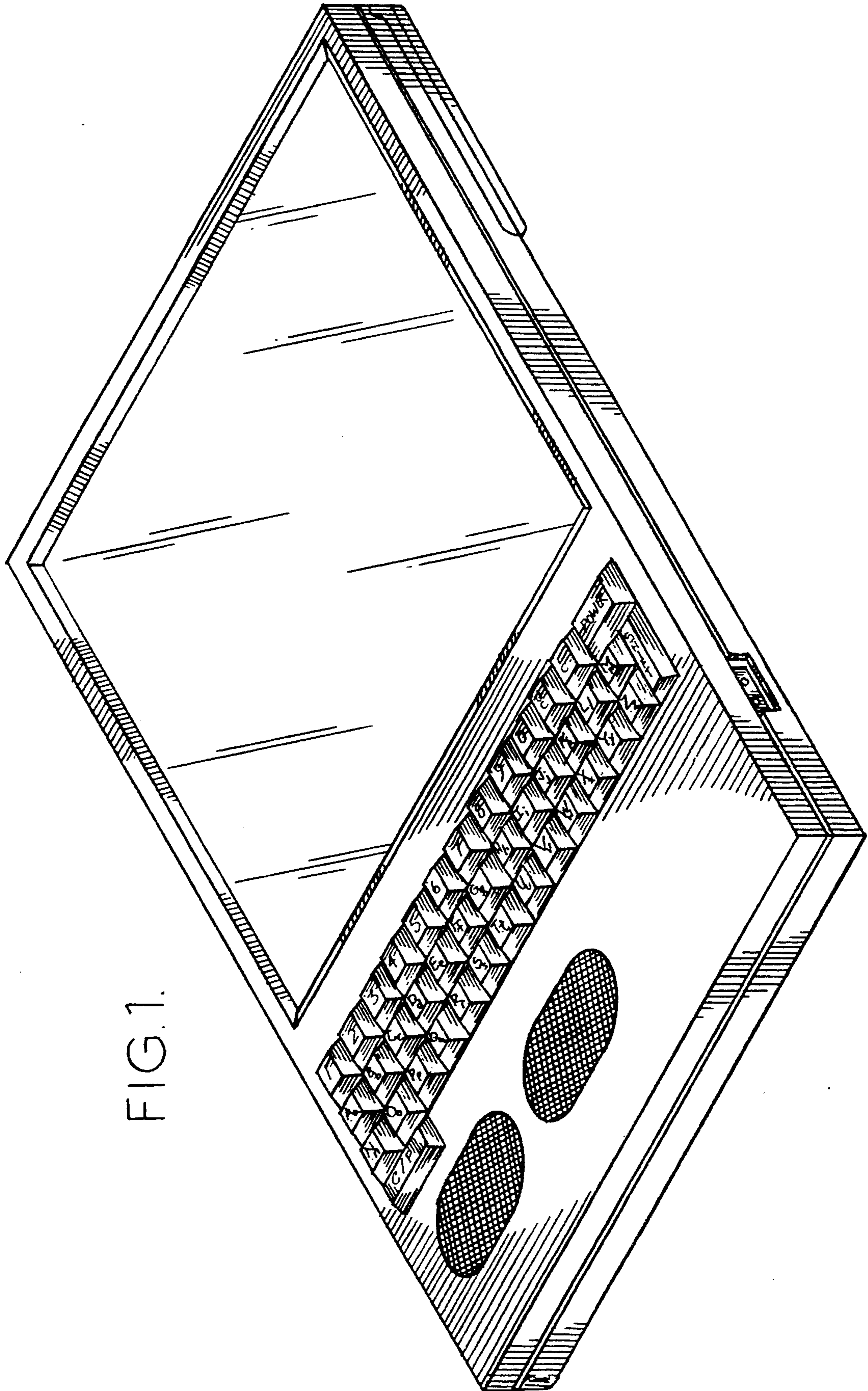


FIG. 1.

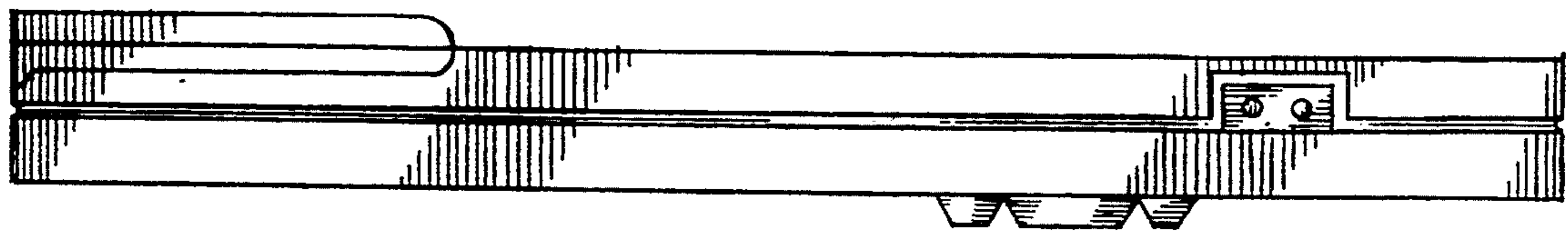


FIG. 4.

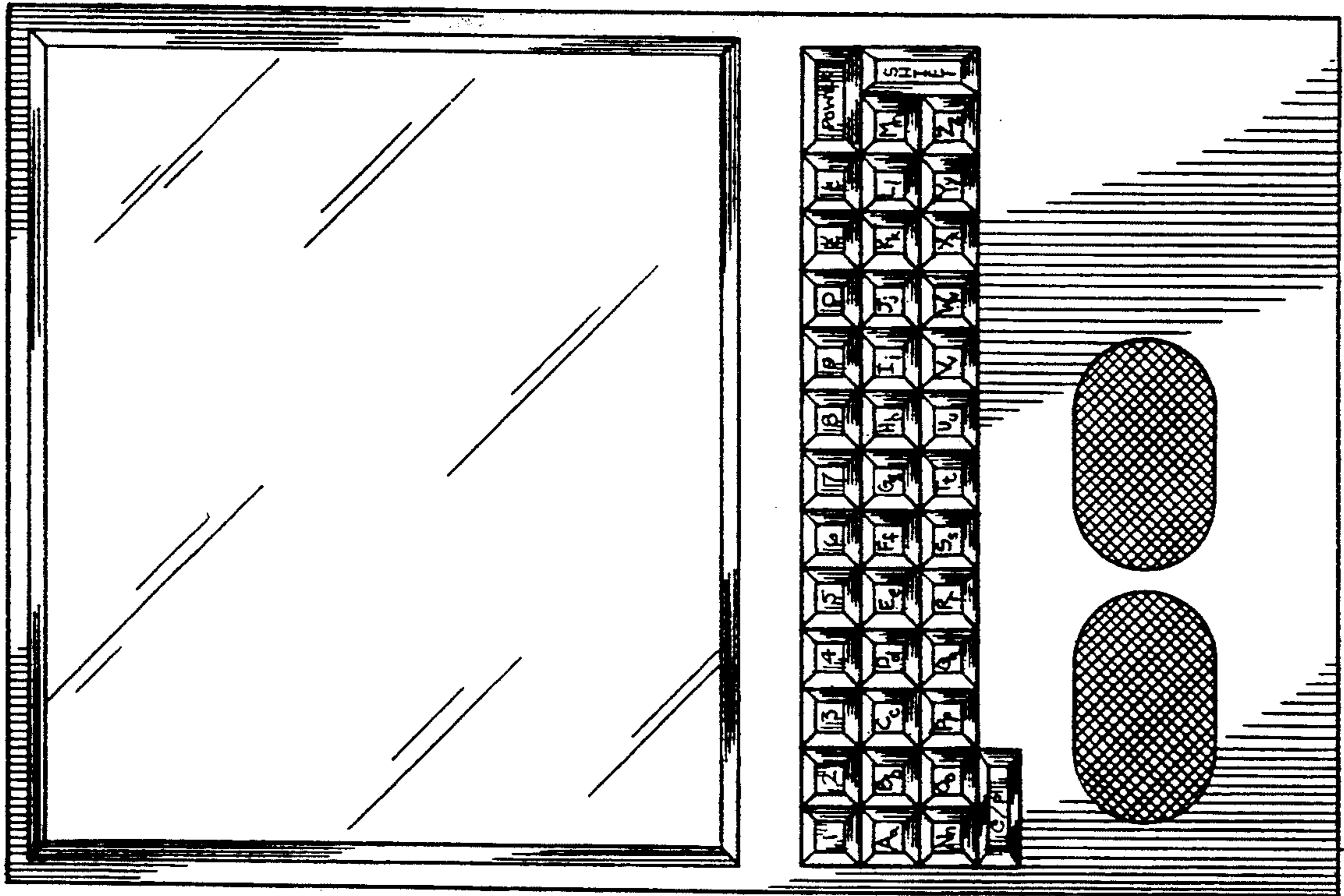


FIG. 2.

FIG. 5.

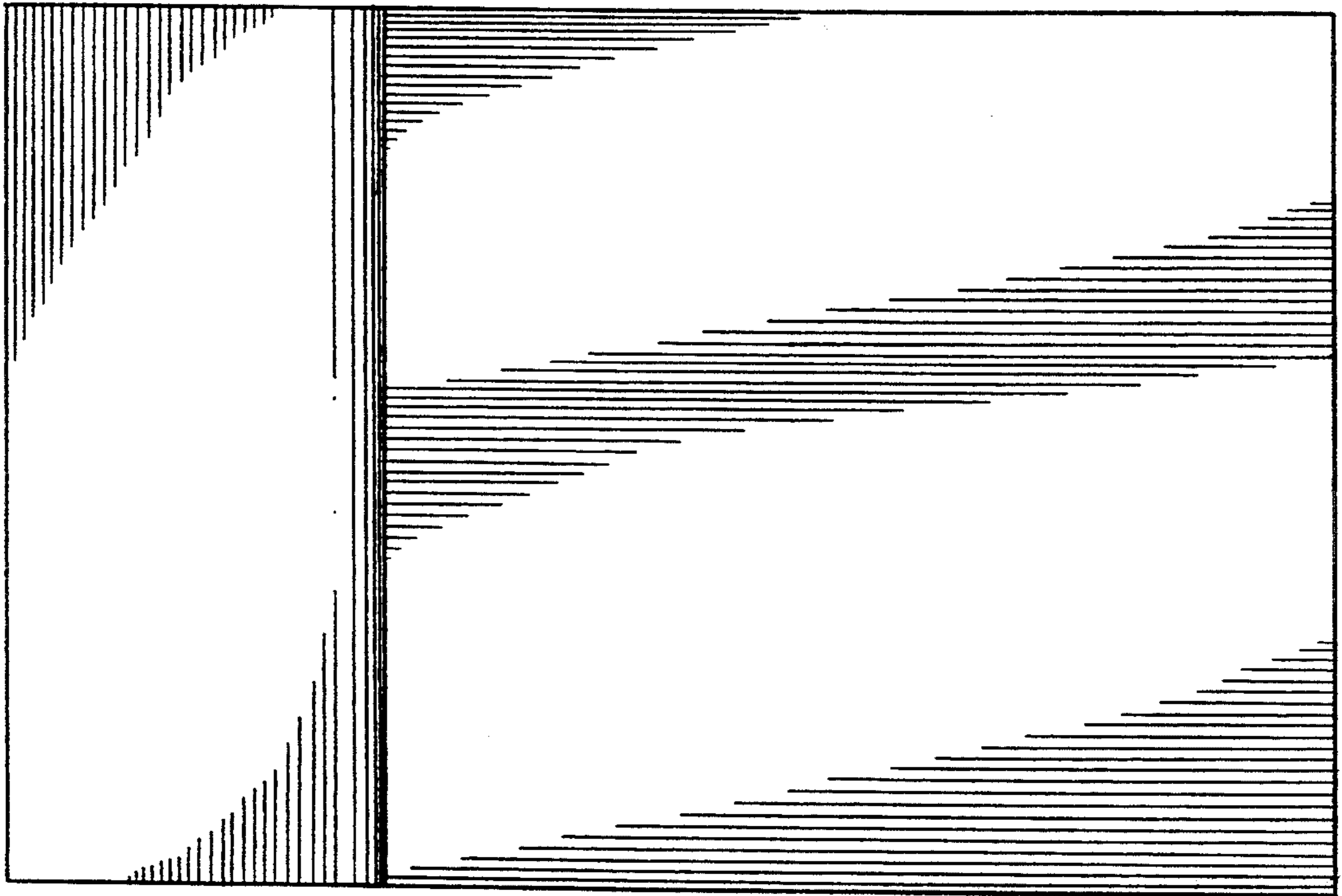
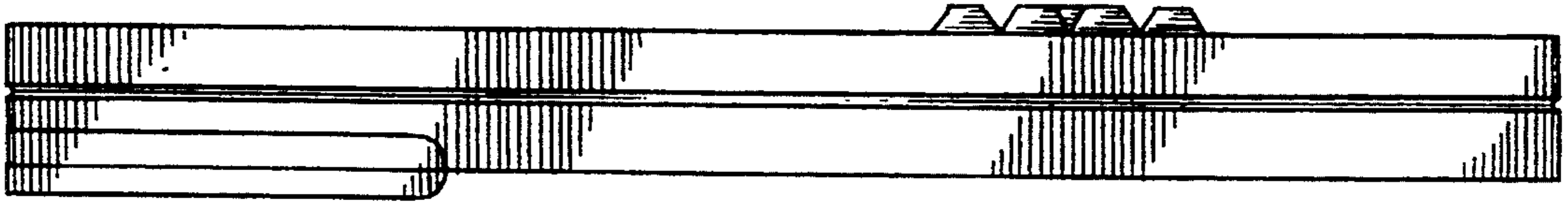


FIG. 3.

FIG. 6.

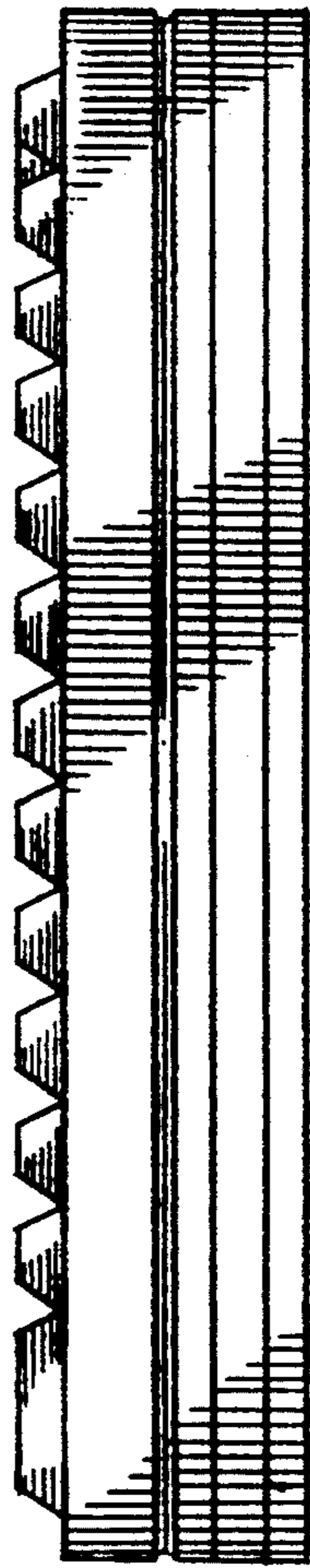


FIG. 7.

