



US00D362268S

# United States Patent [19]

[11] Patent Number: **Des. 362,268**

Williams et al.

[45] Date of Patent: **\*\* Sep. 12, 1995**

[54] **GREENWARE SEAM FINISHING TOOL**

4,951,423 8/1990 Johnson .  
5,109,637 5/1992 Calafut .

[76] Inventors: **Darlene G. Williams; Darrold V. Williams**, both of 821 N. Benton Dr., Sauk Rapids, Minn. 56379

### OTHER PUBLICATIONS

Visual Systems Catalog 1988 p. 124 Wire End Modeling Tool #2.  
The Fine Tool Shops, Inc Spring 1988 Catalog p. 53 Carbide Grit Cutter #A.

[\*\*] Term: **14 Years**

*Primary Examiner*—Theodore M. Shooman  
*Assistant Examiner*—Richelle Shelton  
*Attorney, Agent, or Firm*—Jacobson, Price, Holman & Stern

[21] Appl. No.: **20,276**

[22] Filed: **Mar. 23, 1994**

[52] U.S. Cl. .... **D19/35; D28/7; D8/14; D4/136; D24/211**

[58] Field of Search ..... **D8/14; D4/128; 15/104.5, 105; D28/7; D24/211; D19/35, 36; D32/52; 451/523**

### [57] CLAIM

The ornamental design for a greenware seam finishing tool, as shown and described.

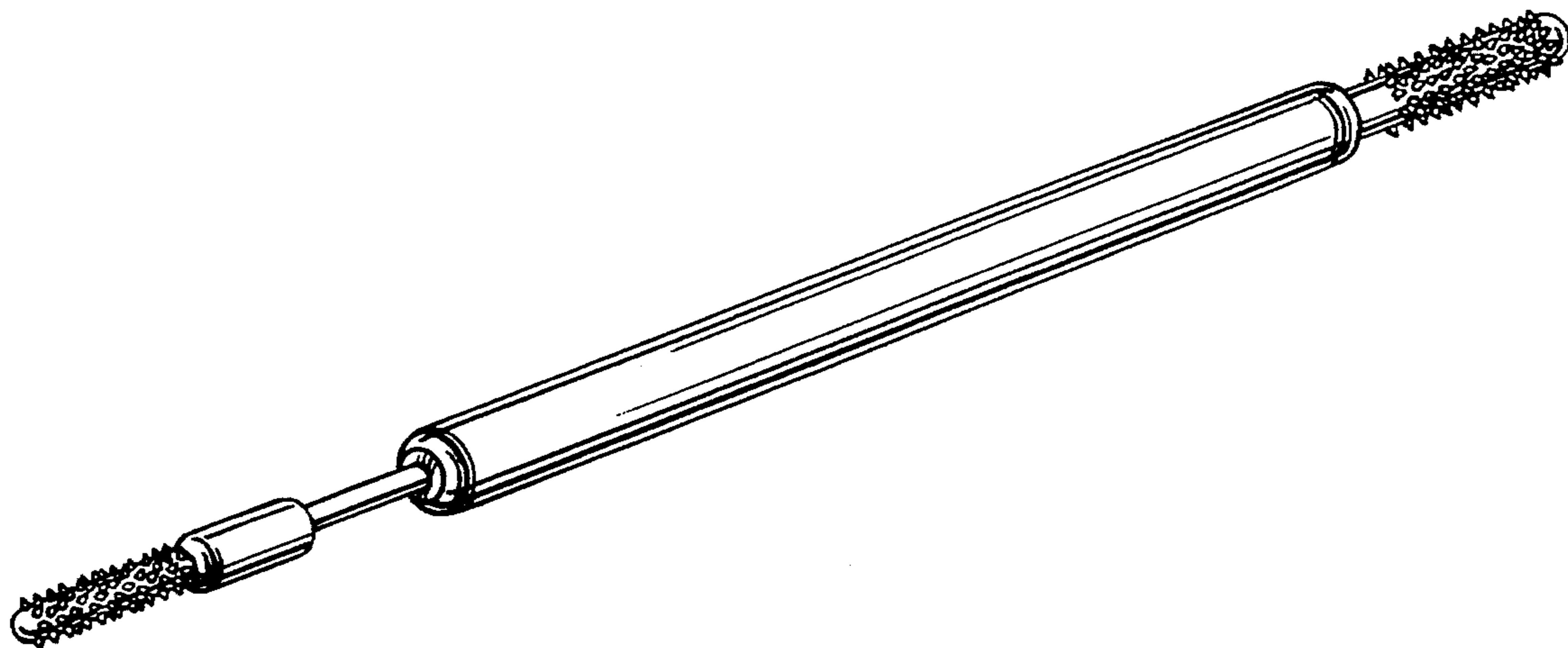
### [56] References Cited

#### U.S. PATENT DOCUMENTS

- D. 247,608 3/1978 Amiot ..... D8/14 X
- D. 249,772 10/1978 Amiot ..... D8/14
- D. 267,439 12/1982 Gibson ..... D32/52
- D. 267,591 1/1983 Gibson ..... D32/52
- D. 271,370 11/1983 San Antonio ..... D8/14
- D. 325,790 4/1992 Cassai ..... D28/7
- D. 351,658 10/1994 Beckman ..... D24/211
- 4,314,426 2/1982 Friend .
- 4,710,996 10/1987 Tarrson et al. .... 15/105

### DESCRIPTION

FIG. 1 is a perspective view of a greenware seam finishing tool showing our new design;  
FIG. 2 is a side elevational view with the center shaft in an alternate position, all side elevational views being identical;  
FIG. 3 is an enlarged right end elevational view thereof; and,  
FIG. 4 is an enlarged left end elevational view thereof.



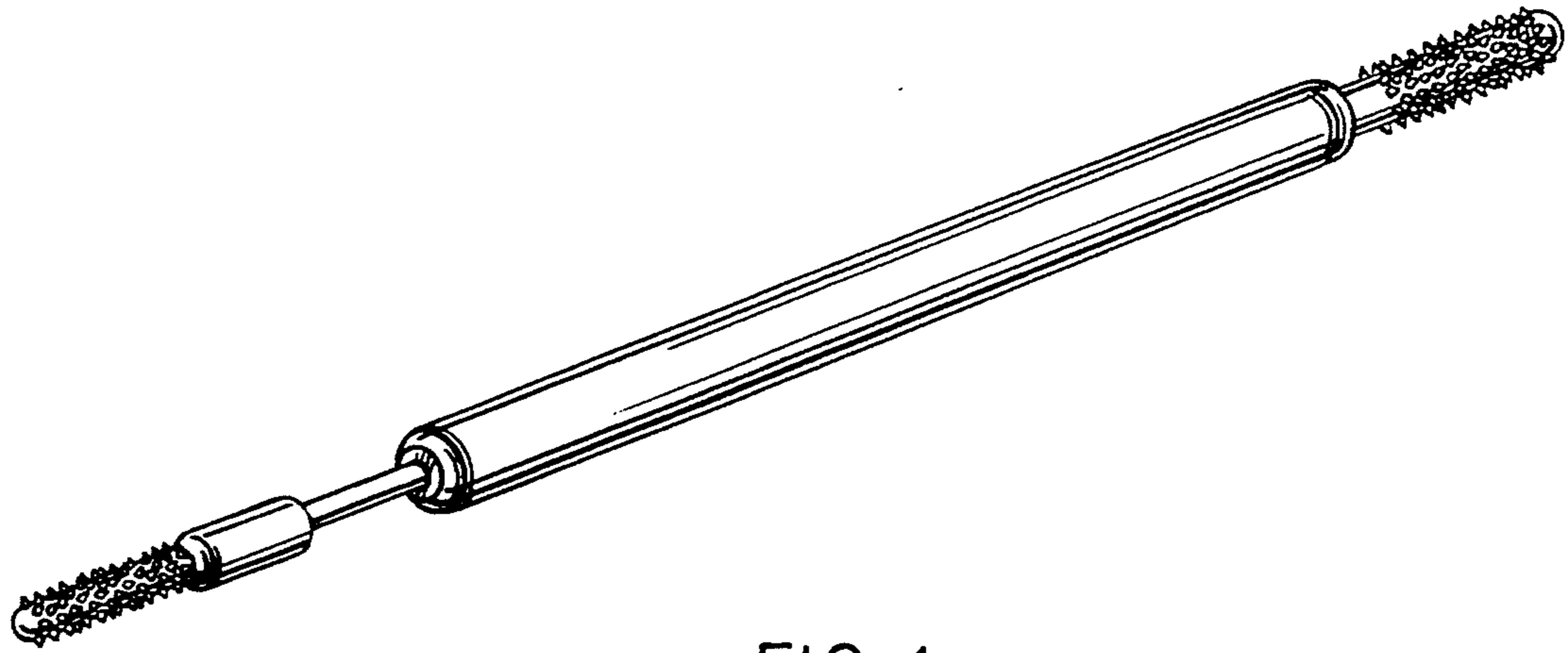


FIG. 1

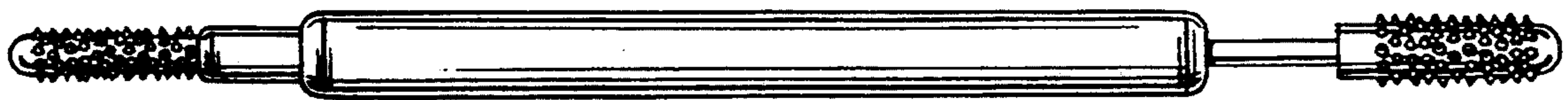


FIG. 2

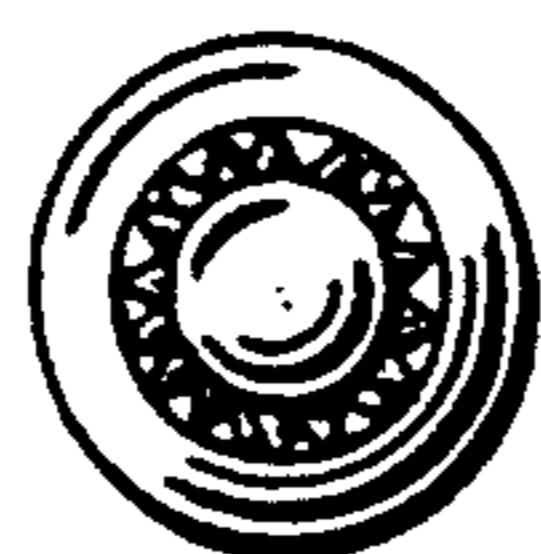


FIG. 3



FIG. 4