



US00D362259S

United States Patent [19]

[11] Patent Number: Des. 362,259

Izumi et al.

[45] Date of Patent: ** Sep. 12, 1995

[54] DISTANCE MEASURING UNIT FOR AN AUTOMATIC FOCUSING CAMERA

5,159,378 10/1992 Takada et al. 354/403
5,258,800 11/1993 Seki et al. 354/402

[75] Inventors: Akio Izumi; Takashi Nishibe, both of Kanagawa, Japan

Primary Examiner—Theodore M. Shooman
Assistant Examiner—Adir Aronovich
Attorney, Agent, or Firm—Sughrue, Mion, Zinn, Macpeak & Seas

[73] Assignee: Fuji Electric Co., Ltd., Kanagawa, Japan

[**] Term: 14 Years

[57] CLAIM

[21] Appl. No.: 11,024

The ornamental design for distance measuring unit for an automatic focusing camera, as shown and described.

[22] Filed: Jul. 23, 1993

DESCRIPTION

[52] U.S. Cl. D16/219

[58] Field of Search D16/219, 220, 237; D10/70; 354/402, 403; 356/1; D13/165

FIG. 1 is a perspective view of the top front and one side of a distance measuring unit for an automatic focusing camera showing our new design;
FIG. 2 is a front elevational view thereof;
FIG. 3 is a top plan view thereof;
FIG. 4 is a side elevational view of said one side;
FIG. 5 is a side elevational view of the opposite side thereof;
FIG. 6 is a rear elevational view thereof; and,
FIG. 7 is a bottom plan view thereof.

[56] References Cited

U.S. PATENT DOCUMENTS

D. 348,042 6/1994 Cook et al. D13/101
3,936,187 2/1976 Momose 356/1
4,419,011 12/1983 Matsuda et al. 356/1
4,494,847 1/1985 Yamada 354/403

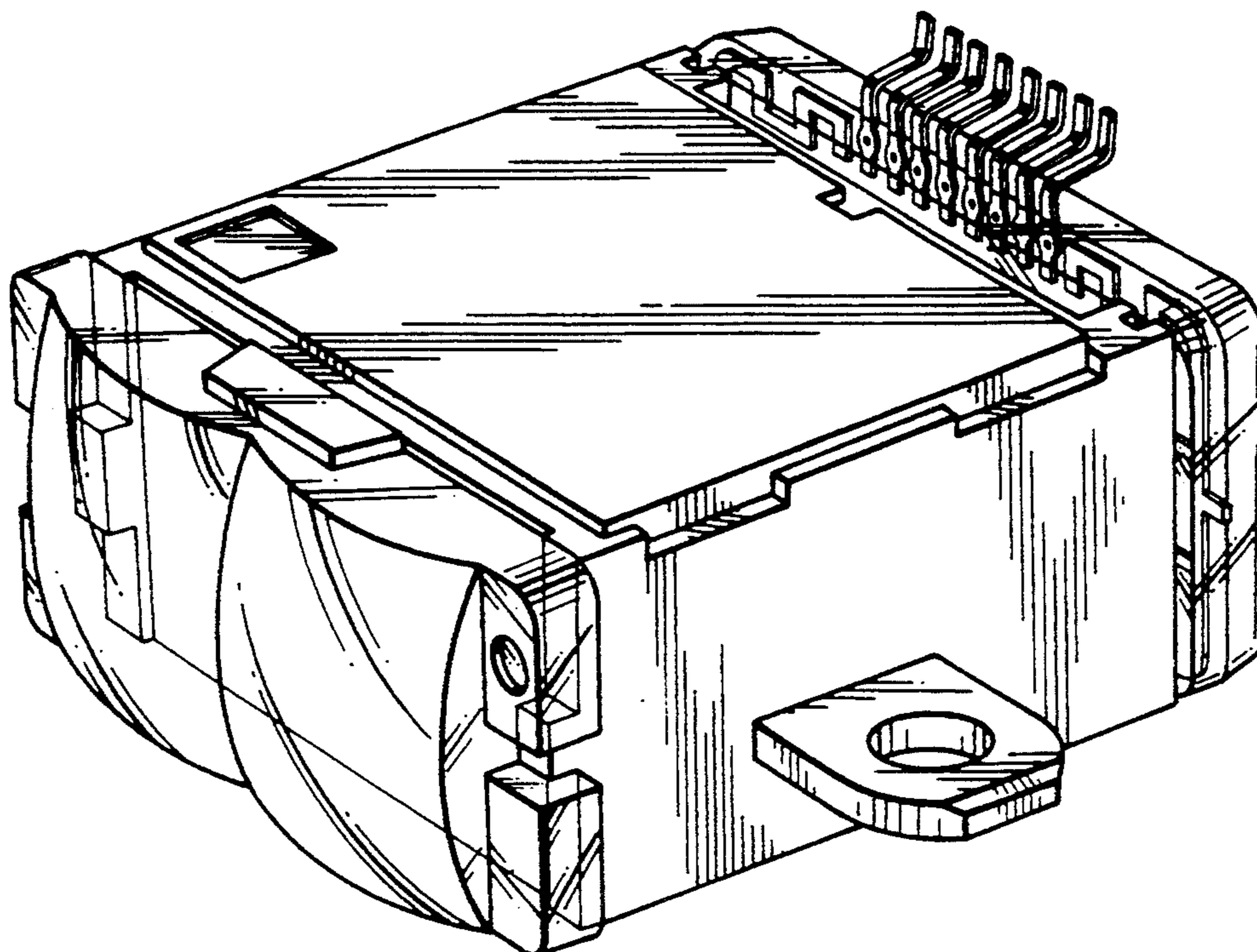


FIG. 1

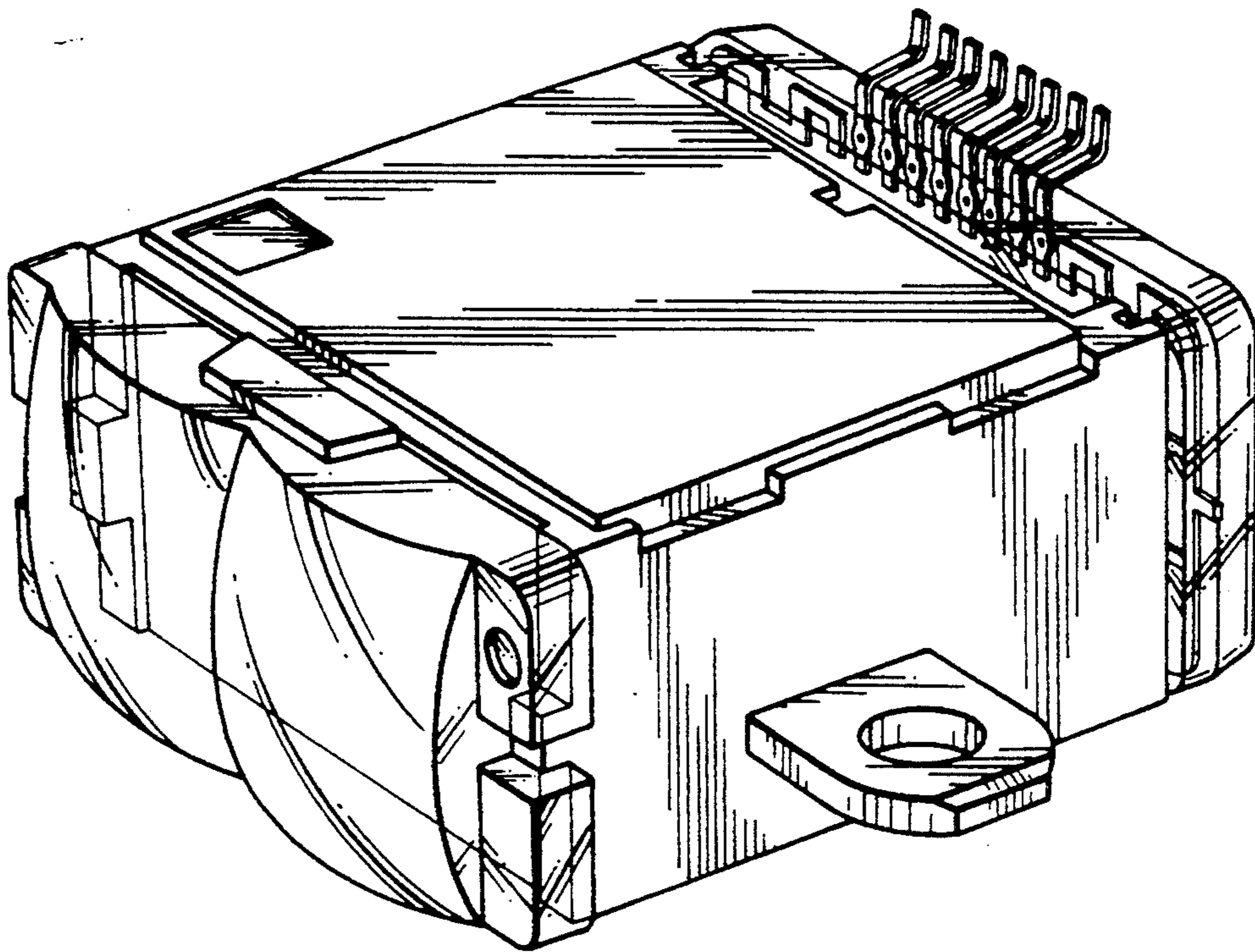


FIG. 2

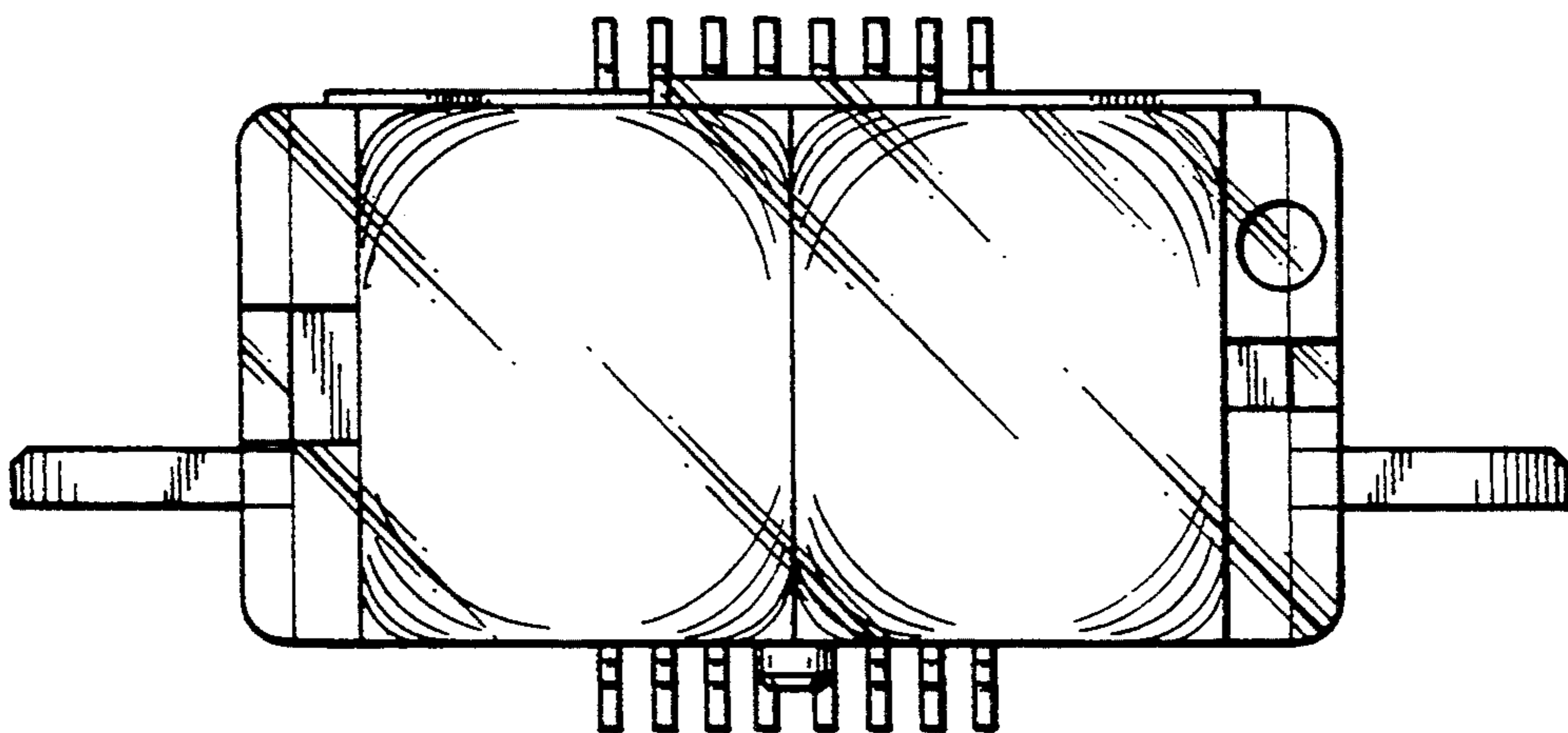


FIG. 3

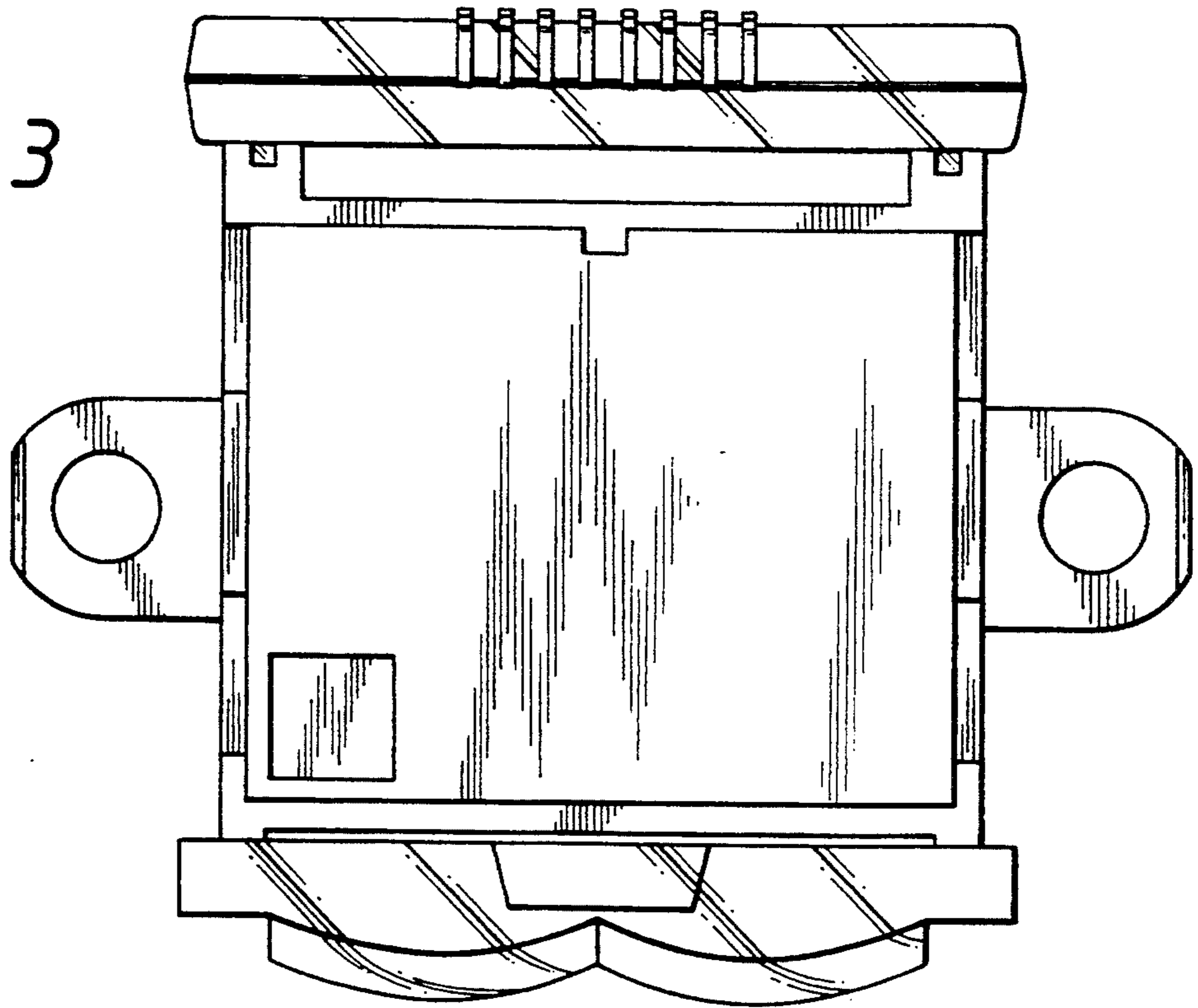


FIG. 4

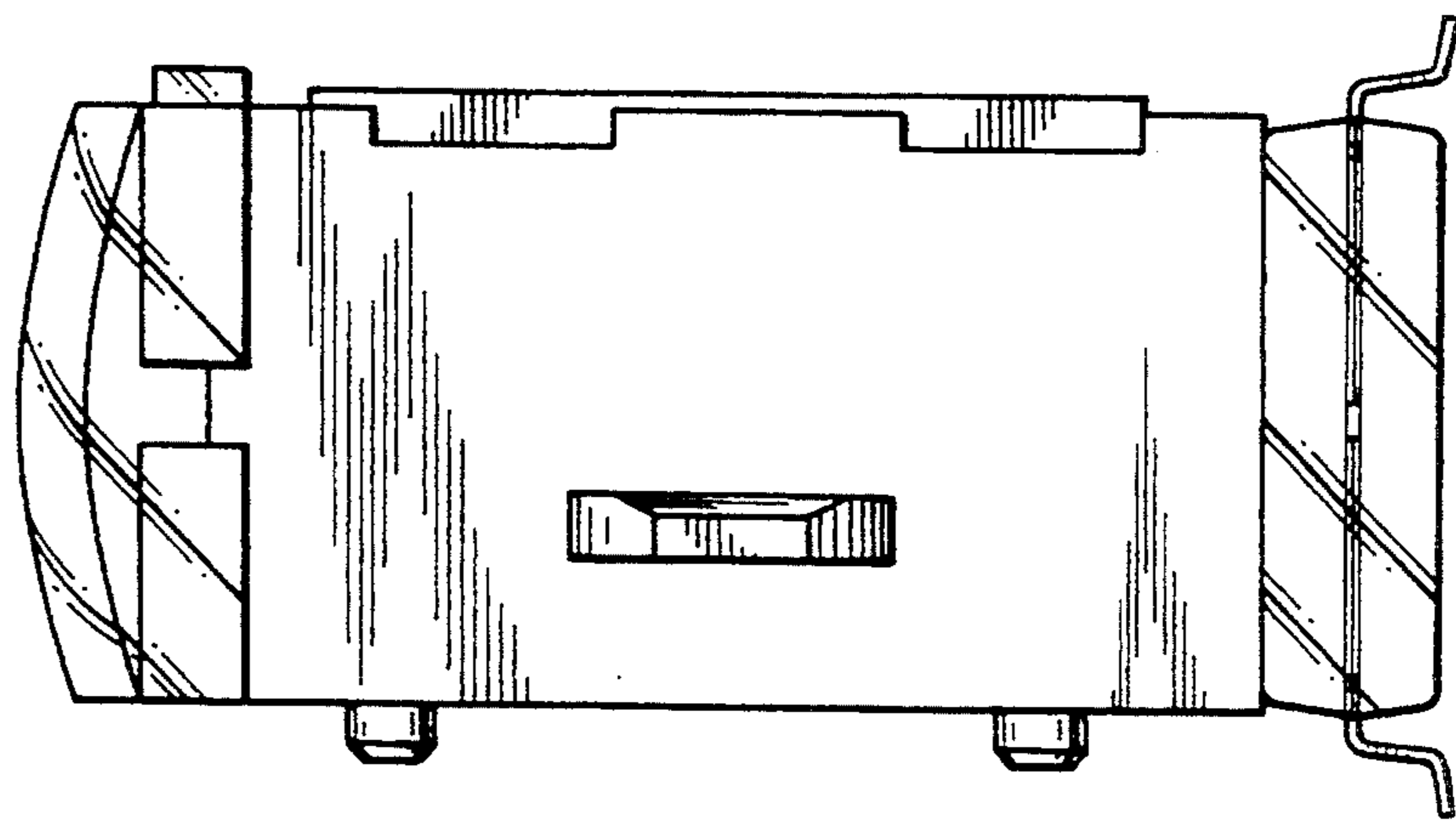


FIG. 5

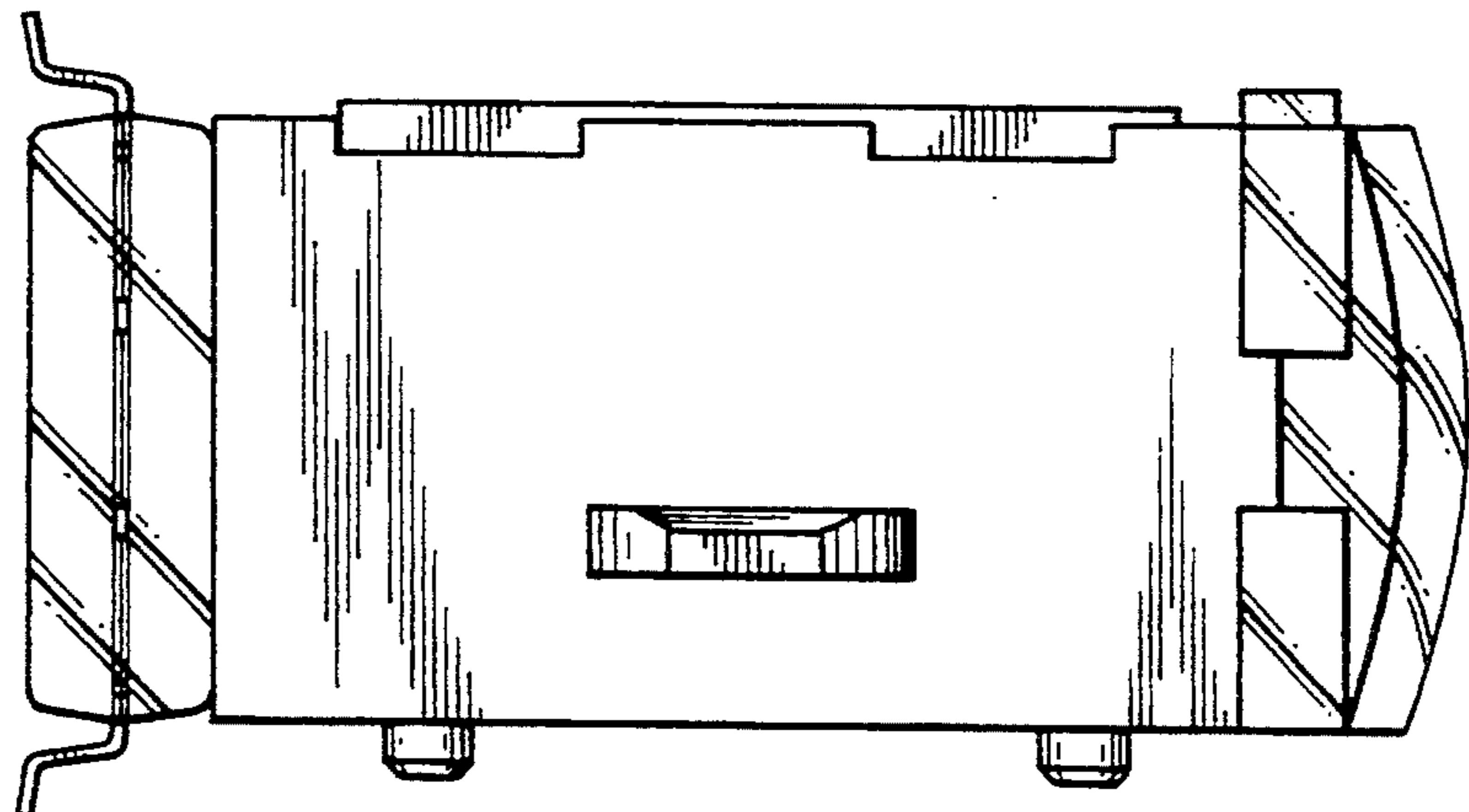


FIG. 6

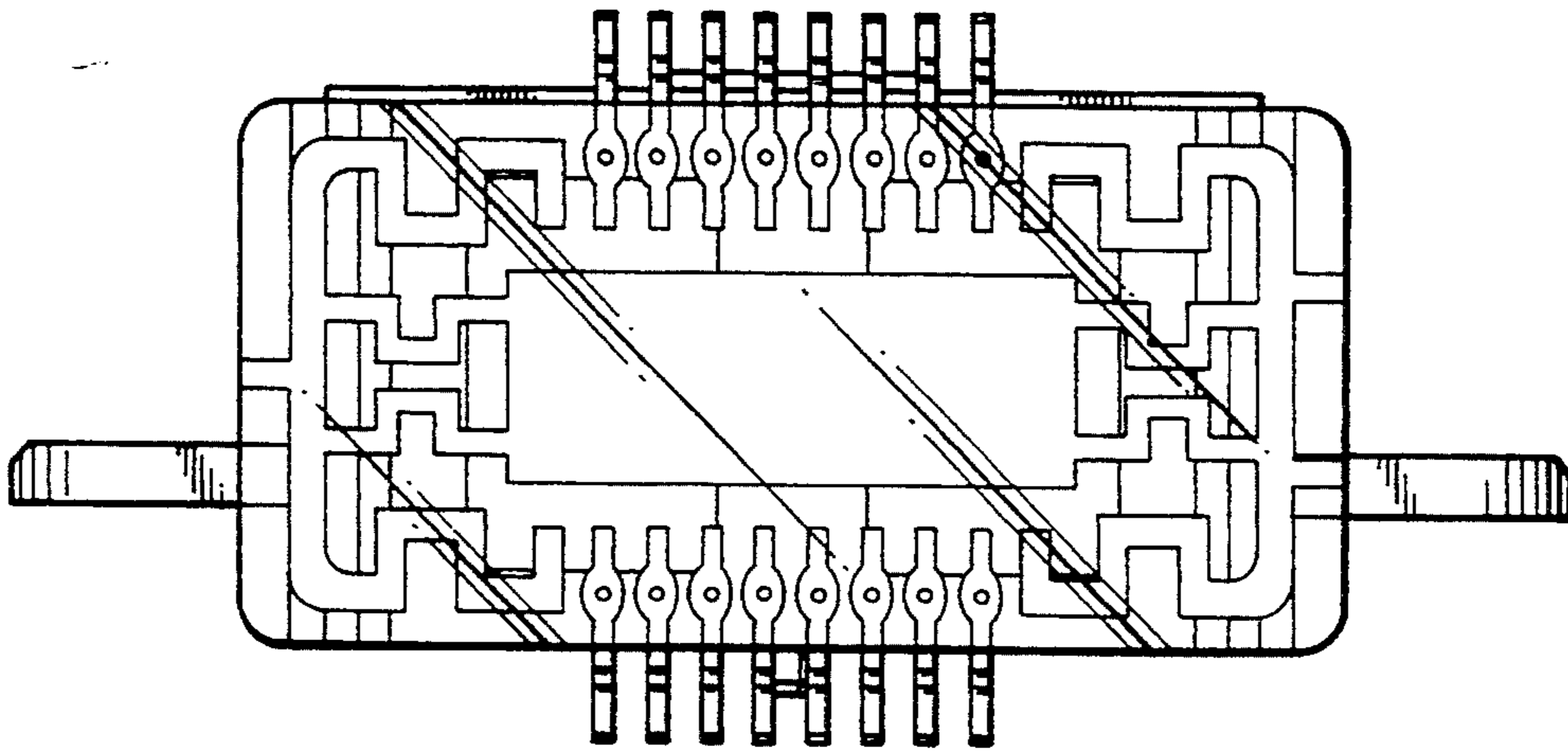


FIG. 7

