



US00D362258S

# United States Patent [19]

[11] Patent Number: **Des. 362,258**

Izumi et al.

[45] Date of Patent: **\*\* Sep. 12, 1995**

[54] **DISTANCE MEASURING UNIT FOR AN AUTOMATIC FOCUSING CAMERA**

5,159,378 10/1992 Takada et al. .... 354/403  
5,258,800 11/1993 Seki et al. .... 354/402

[75] Inventors: **Akio Izumi; Takashi Nishibe**, both of Kanagawa, Japan

*Primary Examiner*—Theodore M. Shooman  
*Assistant Examiner*—Adir Aronovich  
*Attorney, Agent, or Firm*—Sughrue, Mion, Zinn, Macpeak & Seas

[73] Assignee: **Fuji Electric Co., Ltd.**, Kanagawa, Japan

[\*\*] Term: **14 Years**

[57] **CLAIM**

[21] Appl. No.: **10,944**

The ornamental design for distance measuring unit for an automatic focusing camera, as shown and described.

[22] Filed: **Jul. 23, 1993**

**DESCRIPTION**

[52] U.S. Cl. .... **D16/219**

[58] Field of Search ..... D16/219, 220, 237; 354/402, 403; 356/1

FIG. 1 is a perspective view of the top front and one side of an distance measuring unit for an automatic focusing camera showing our new design; FIG. 2 is a front elevational view thereof; FIG. 3 is a top plan view thereof; FIG. 4 is a side elevational view of said one side; FIG. 5 is a side elevational view of the opposite side thereof; FIG. 6 is a rear elevational view thereof; and, FIG. 7 is a bottom plan view thereof.

[56] **References Cited**

**U.S. PATENT DOCUMENTS**

D. 348,042	6/1994	Cook et al. ....	D13/101
3,936,187	2/1976	Momose .....	356/1
4,419,011	12/1983	Matsuda et al. ....	356/1
4,494,847	1/1985	Yamada .....	354/403

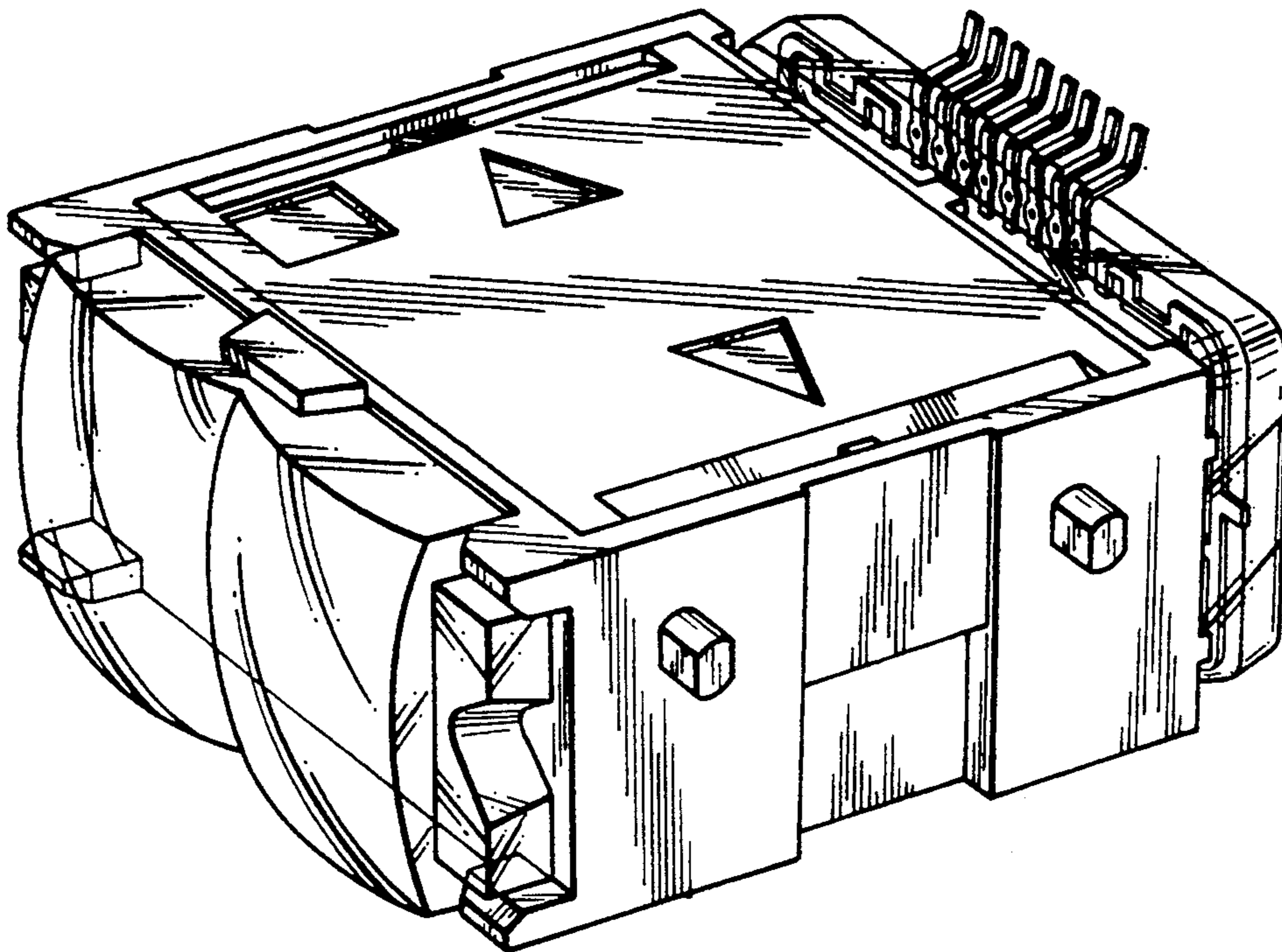


FIG. 1

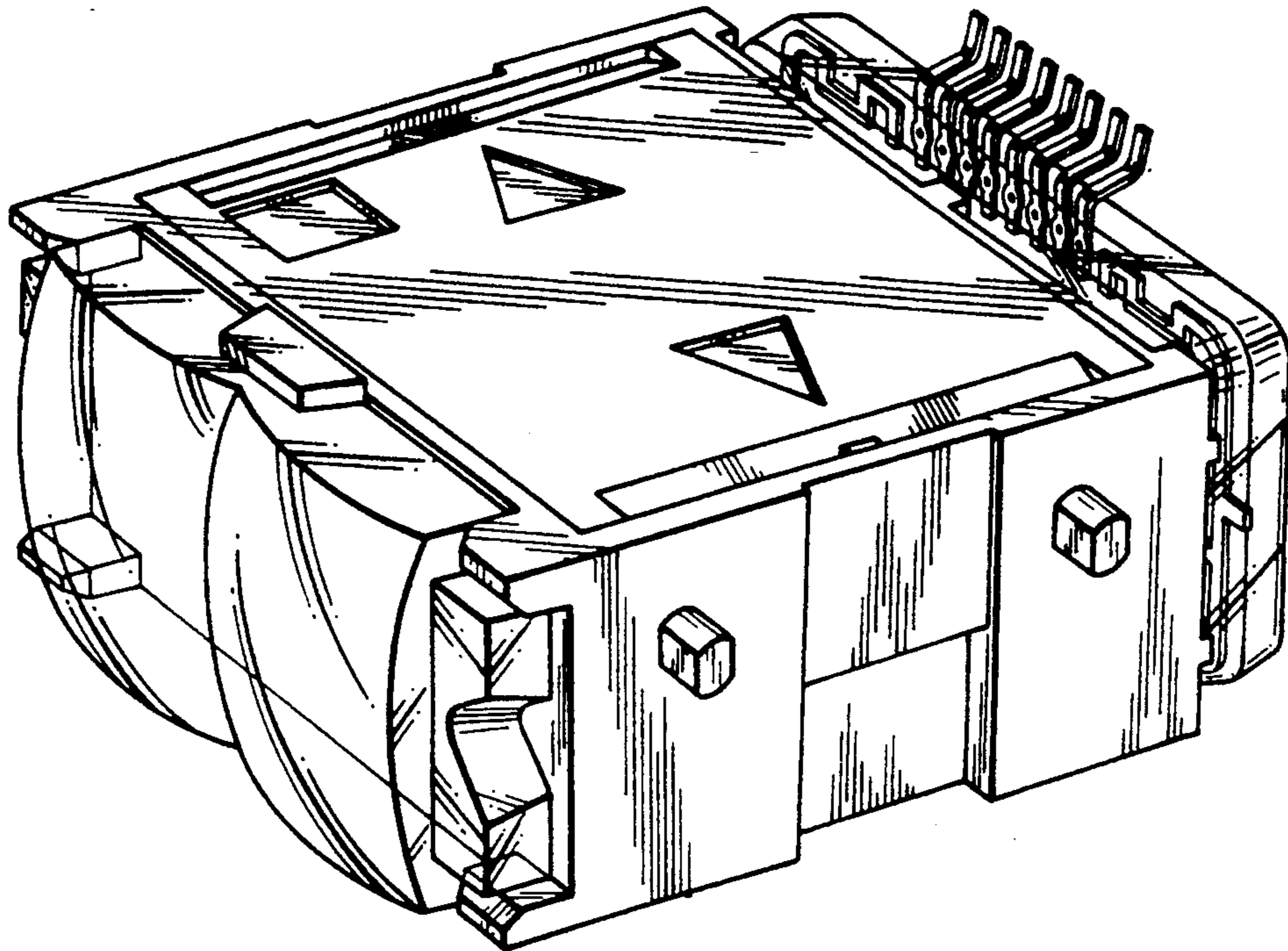


FIG. 2

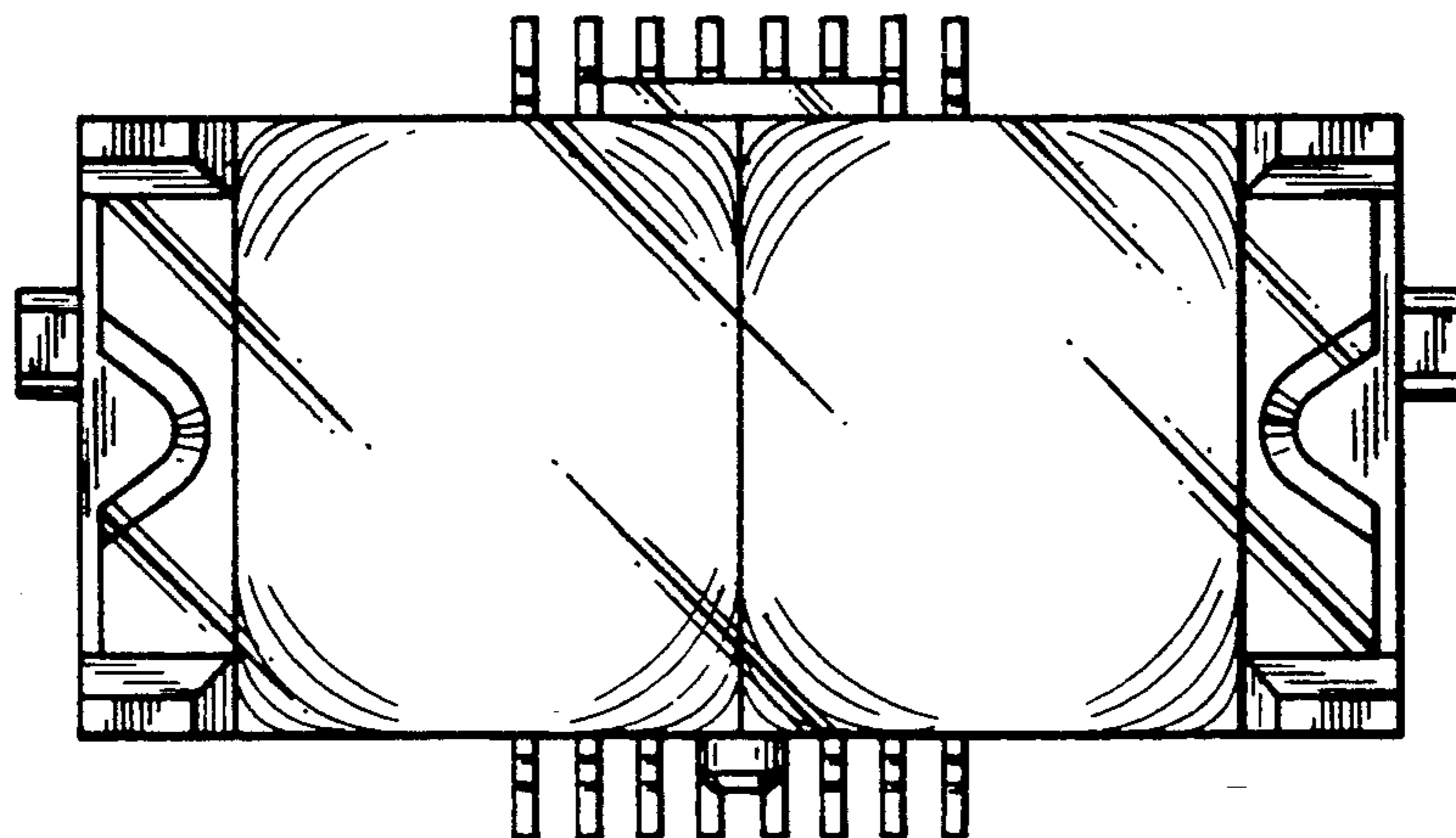


FIG. 3

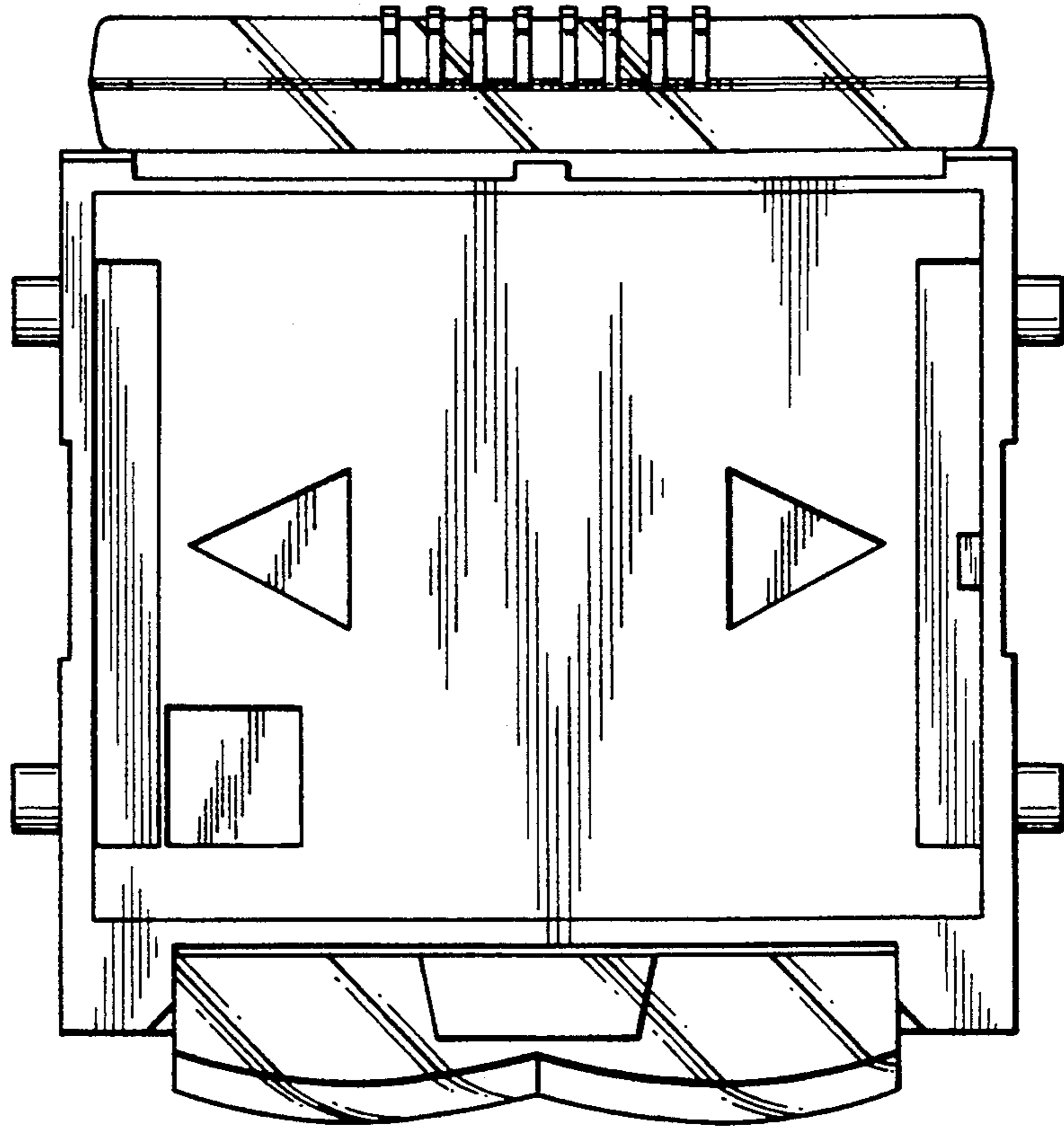


FIG. 4

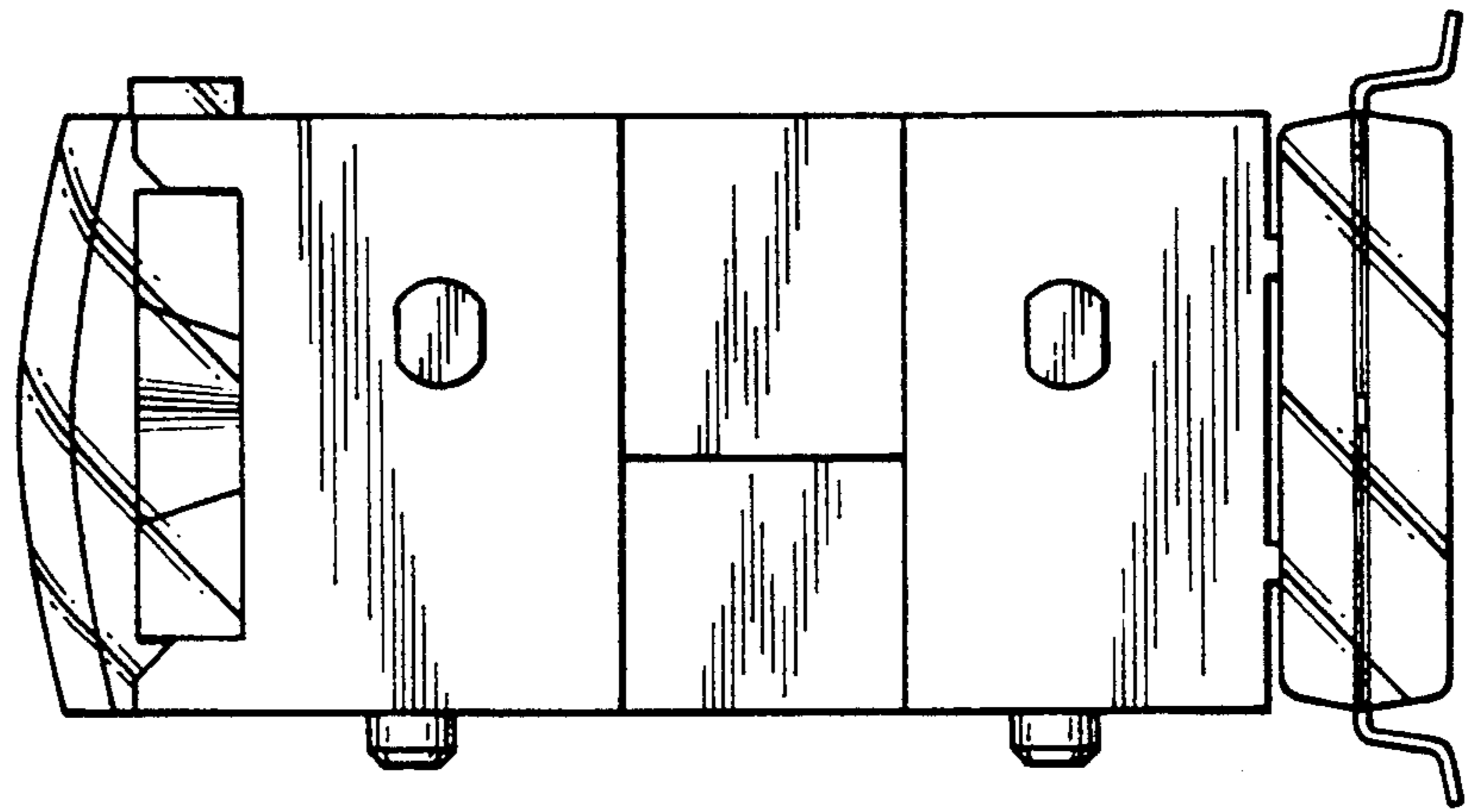


FIG. 5

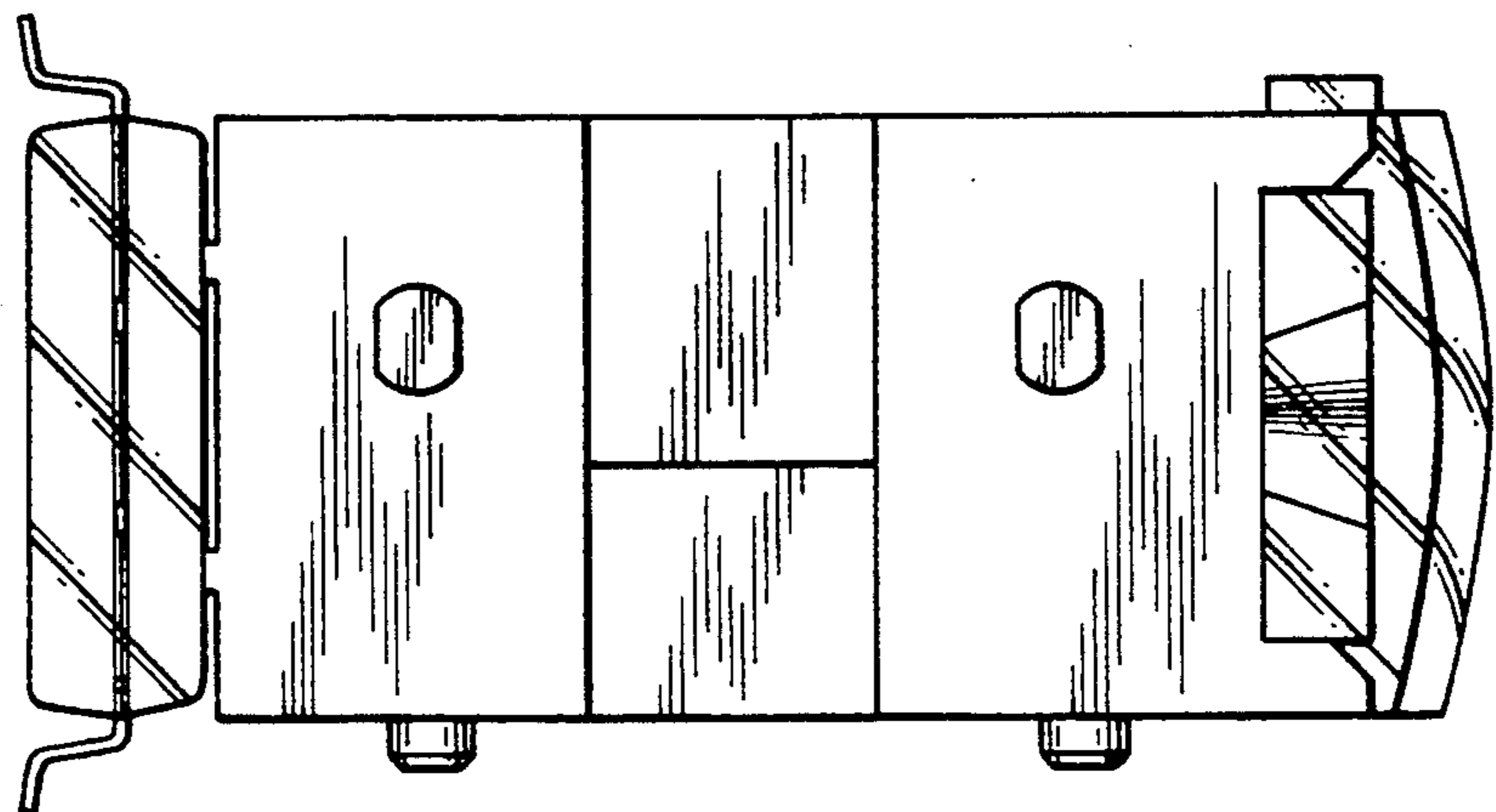


FIG. 6

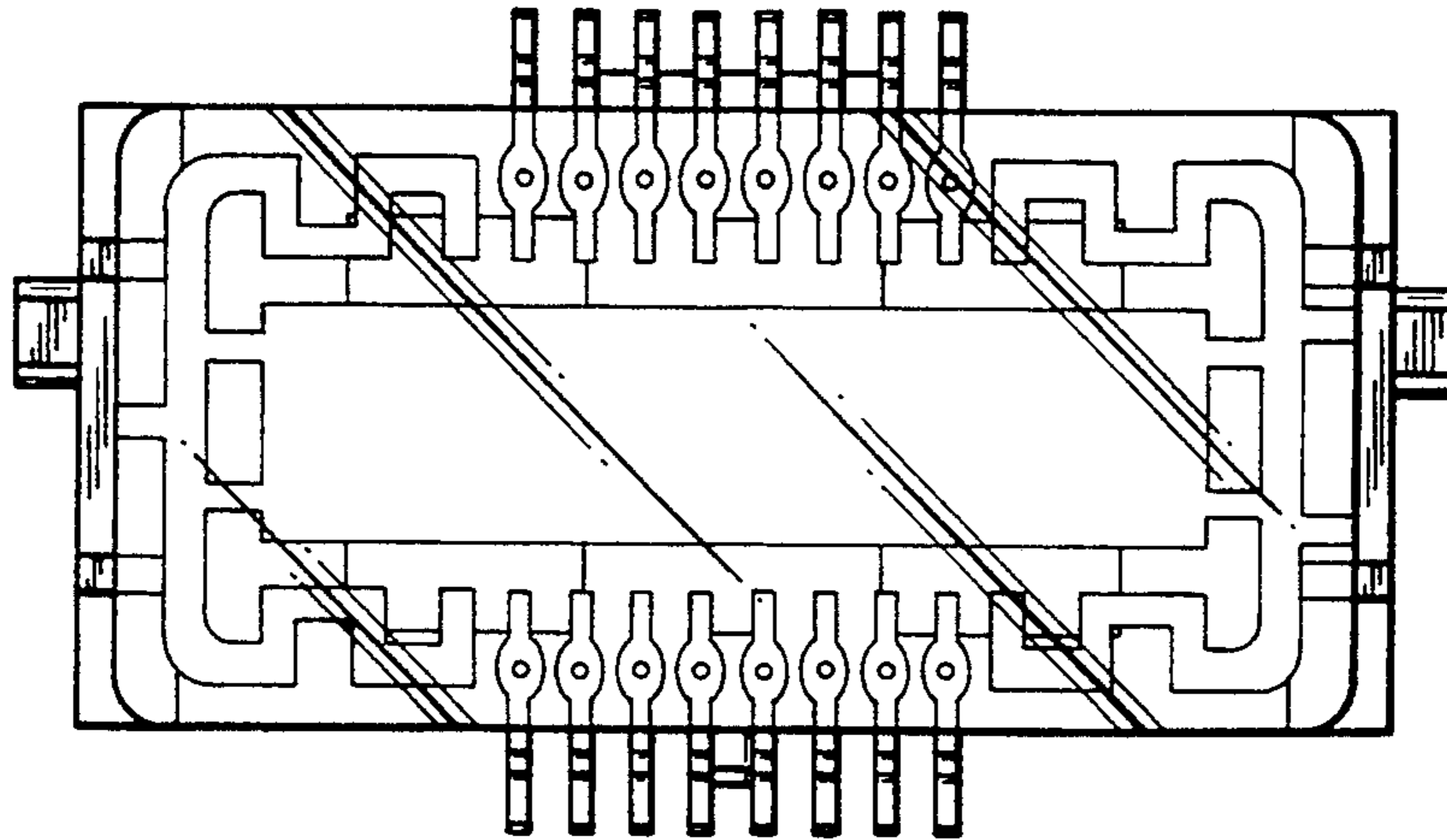


FIG. 7

