



US00D362256S

# United States Patent [19]

[11] Patent Number: **Des. 362,256**

Okamoto et al.

[45] Date of Patent: **\*\* Sep. 12, 1995**

[54] BEARING

[56] References Cited

### U.S. PATENT DOCUMENTS

[75] Inventors: **Junzo Okamoto**, 5-6-15, Minami-koshigaya, Koshigaya-shi, Saitama-ken, Japan, 343; **Uzuhiko Tsuboi**, Nagoya, Japan

D. 323,837	2/1992	Johnson	.....	D15/143
D. 329,441	9/1992	Yee	.....	D15/143
1,842,253	1/1932	Dlesk, Jr.	.....	384/532
5,230,570	7/1993	Burse, Jr. et al.	.....	384/527
5,388,918	2/1995	Williams	.....	384/523 X

[73] Assignees: **Junzo Okamoto**, Saitama; **Koyo Seiko Co., Ltd.**, Osaka, both of Japan

*Primary Examiner*—Antoine Duval Davis  
*Attorney, Agent, or Firm*—Wenderoth, Lind & Ponack

[\*\*] Term: **14 Years**

### [57] CLAIM

The ornamental design for a bearing, as shown and described.

[21] Appl. No.: **30,230**

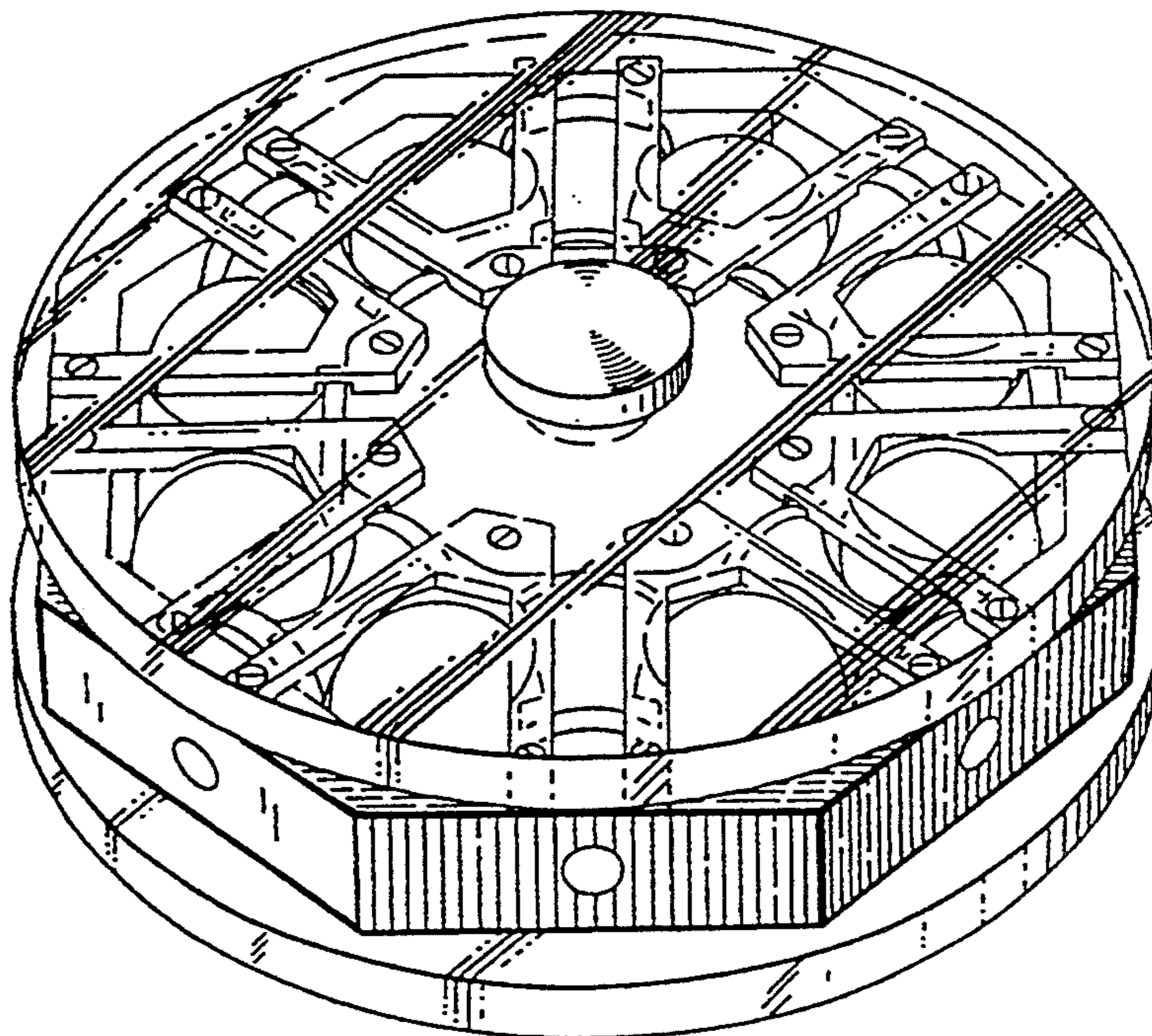
### DESCRIPTION

[22] Filed: **Oct. 24, 1994**

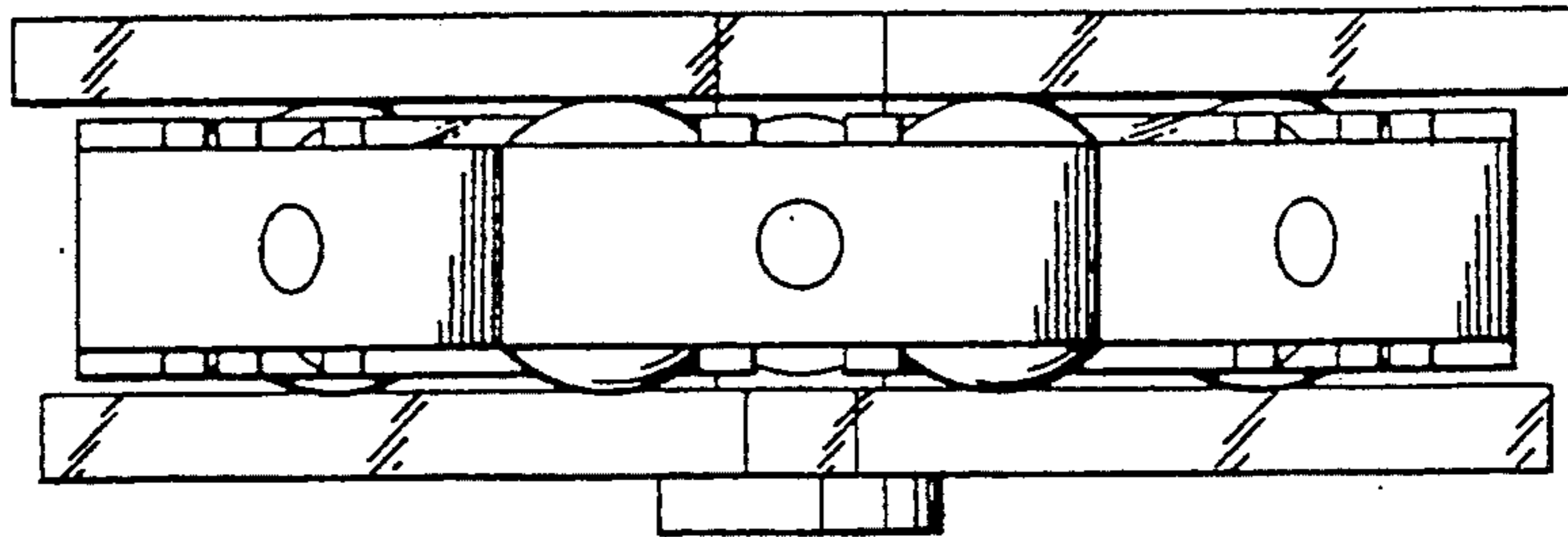
FIG. 1 is a top plan view of a bearing showing an embodiment of our new design, the bottom plan view being the same in appearance;  
FIG. 2 is a front elevational view thereof;  
FIG. 3 is a right-hand side elevational view thereof and is also a mirror image of a left-hand side elevational view thereof;  
FIG. 4 is a rear elevational view thereof; and,  
FIG. 5 is a perspective view thereof.

### [30] Foreign Application Priority Data

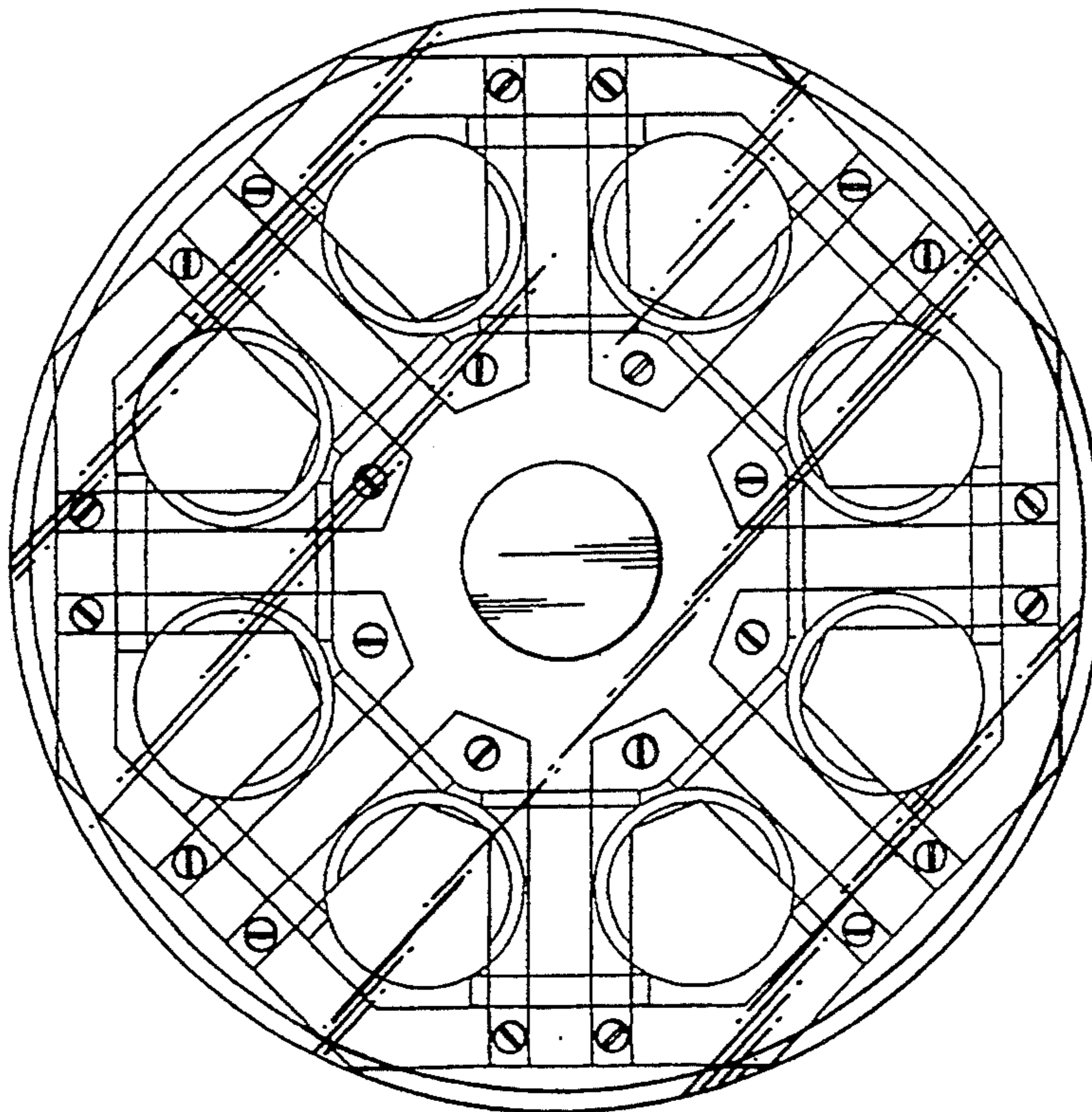
Aug. 29, 1994 [JP]	Japan	.....	6-26058
[52] U.S. Cl.	.....	<b>D15/143</b>	
[58] Field of Search	.....	D15/143; 384/523-534	



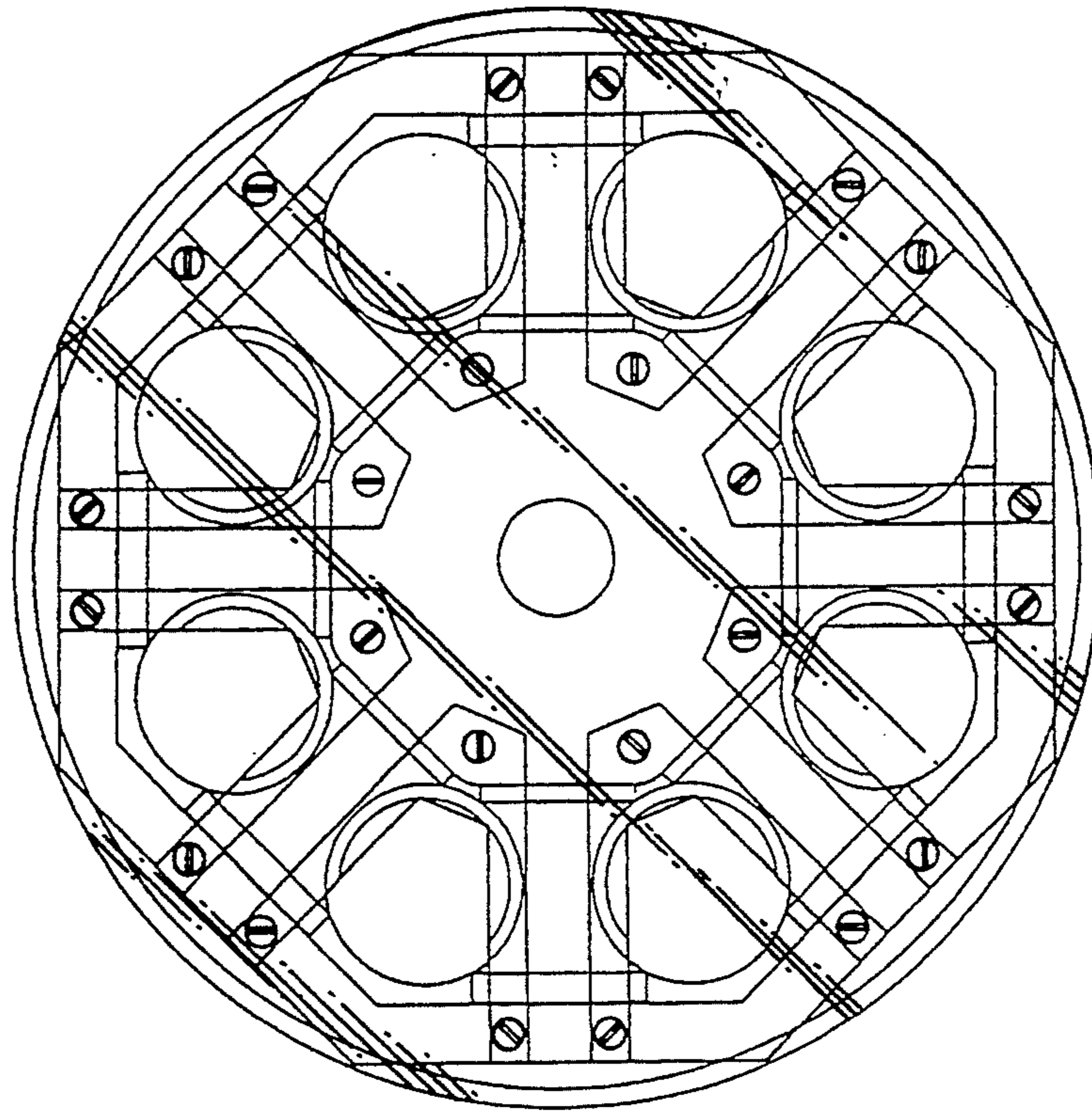
*Fig. 1*



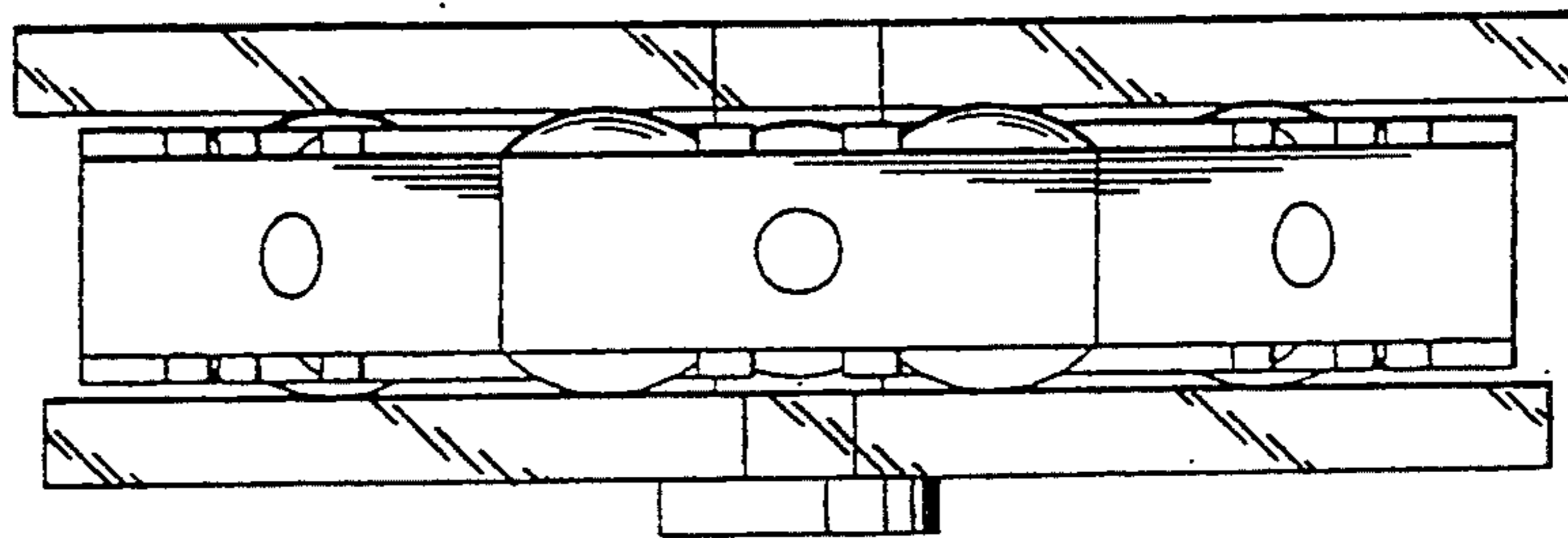
*Fig. 2*



*Fig. 4*



*Fig. 3*



*Fig. 5*

