



US00D362253S

United States Patent [19]

[11] Patent Number: **Des. 362,253**

Vogels

[45] Date of Patent: **** Sep. 12, 1995**

[54] **LOUDSPEAKER WALL SUPPORT**

[56] **References Cited**

U.S. PATENT DOCUMENTS

[75] Inventor: **Henricus H. Vogels**, Eindhoven, Netherlands

D. 251,045	2/1979	Grube	D8/373 X
D. 340,376	10/1993	Klose	D8/373 X
4,696,447	9/1987	Strecker	248/309.1 X
5,194,717	3/1993	Cowen et al.	248/309.1 X

[73] Assignee: **Vogel's Holding B.V.**, Eindhoven, Netherlands

Primary Examiner—Terry A. Wallace
Assistant Examiner—Nanda Bondade
Attorney, Agent, or Firm—Ladas & Parry

[**] Term: **14 Years**

[57] **CLAIM**

[21] Appl. No.: **17,161**

The ornamental design for a loudspeaker wall support, as shown and described.

[22] Filed: **Jan. 5, 1994**

DESCRIPTION

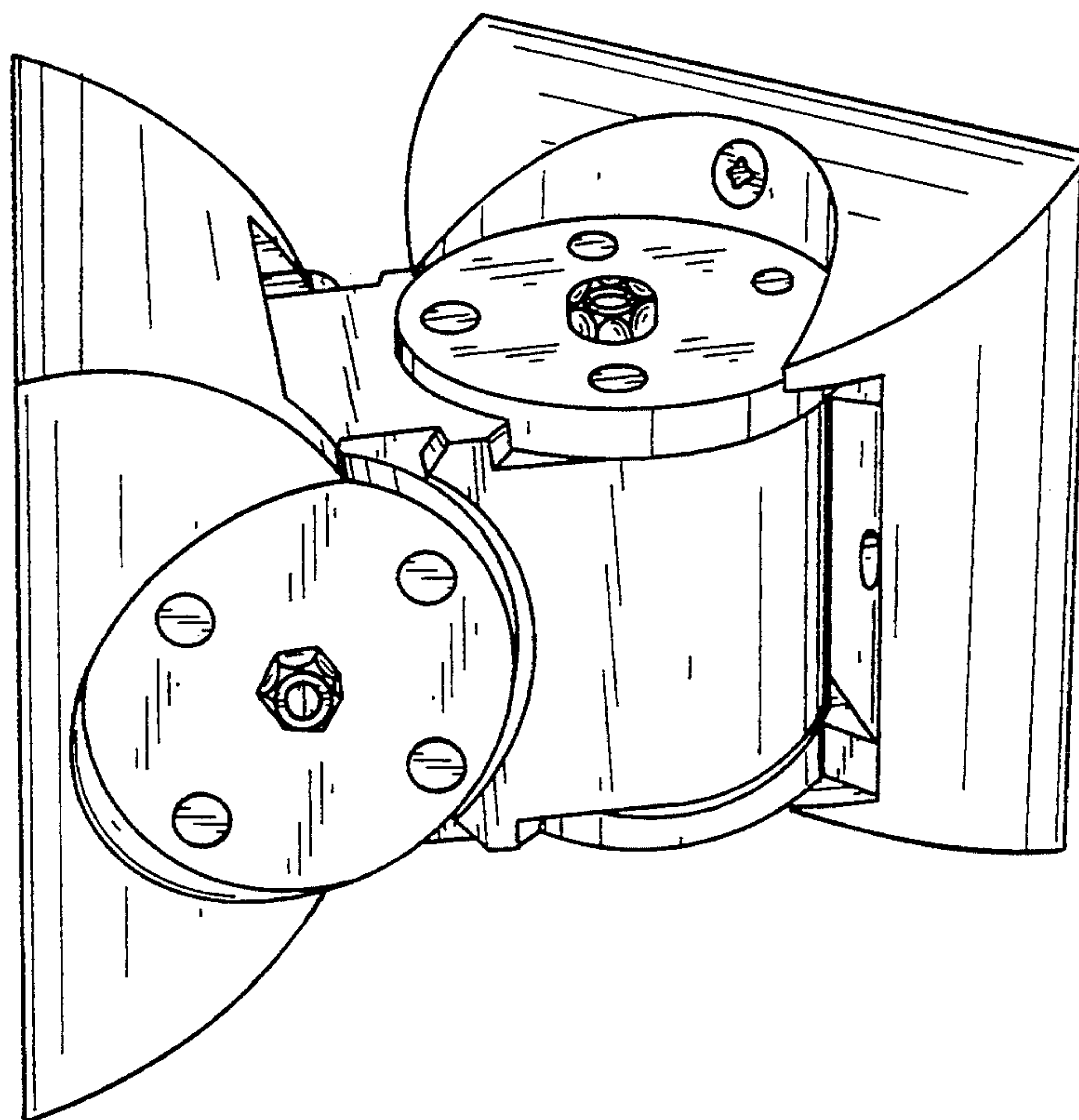
[30] Foreign Application Priority Data

Jul. 7, 1993 [XH] Hague Agreement DMA/002209

[52] U.S. Cl. **D14/224; D8/354**

[58] Field of Search **D8/349, 354, 373; D14/224; 248/200, 205.1, 300, 309.1**

FIG. 1 is a perspective view of a loudspeaker wall support showing my new design;
FIG. 2 is a typical end view thereof when the ends are aligned to lie in parallel planes, the opposite end view being identical thereto; and,
FIG. 3 is a side view thereof when the ends are aligned to lie in parallel planes, the opposite side view, the top view, and the bottom view being identical thereto.



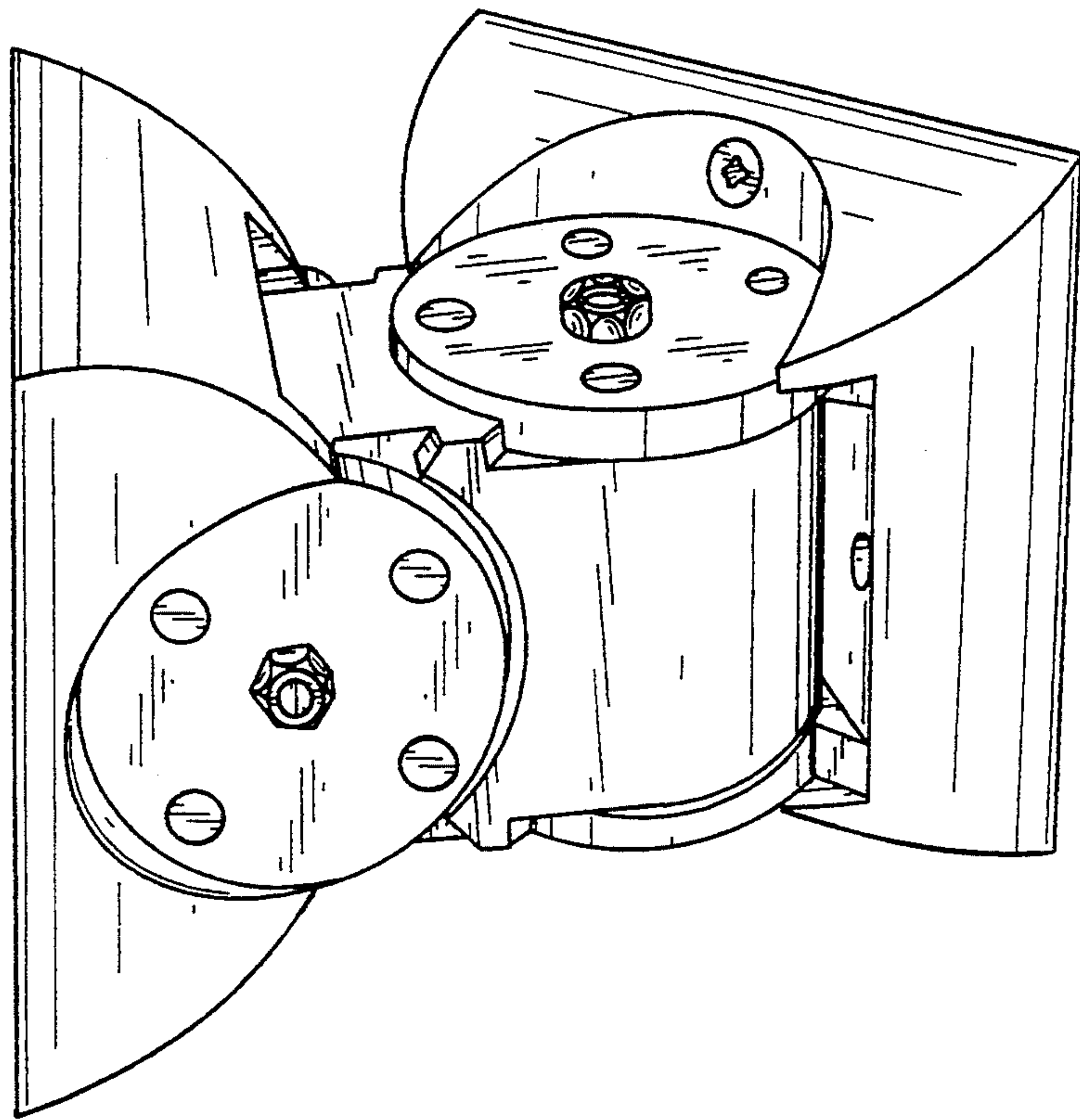


FIG. 1

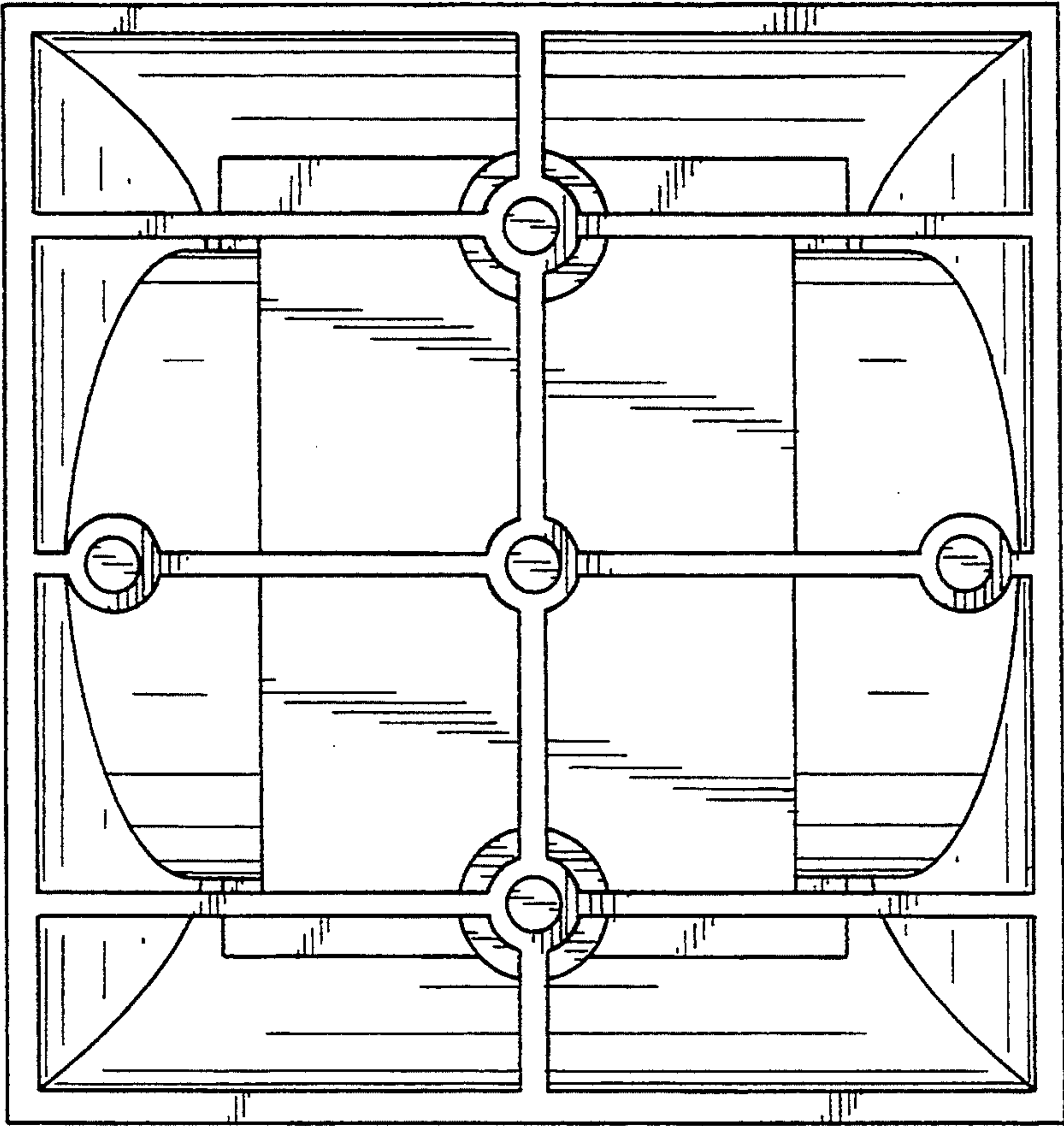


FIG. 2

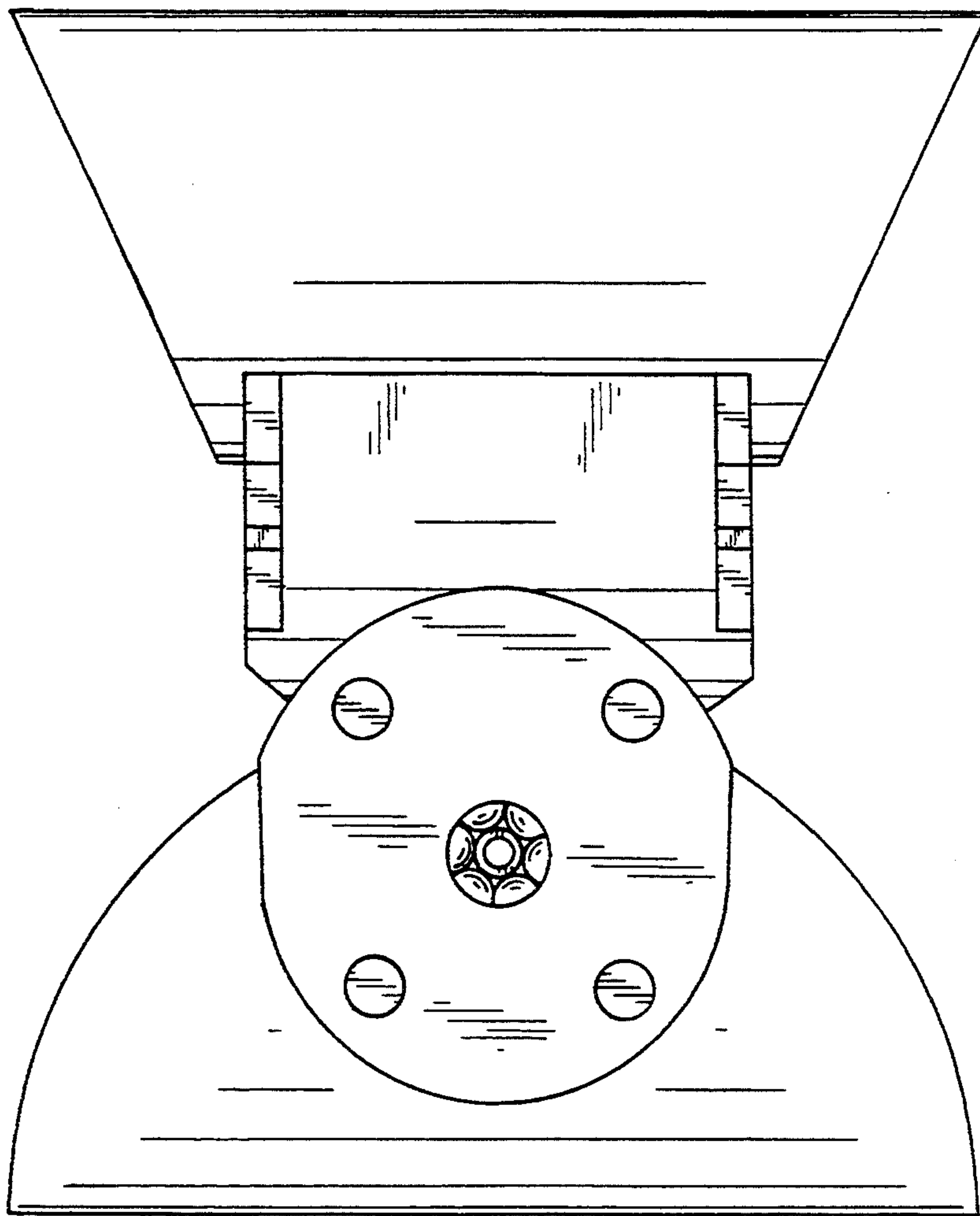


FIG. 3