



US00D362252S

United States Patent [19]

[11] Patent Number: Des. 362,252

Ansell et al.

[45] Date of Patent: ** Sep. 12, 1995

[54] COMPUTERIZED MOBILE TELEPHONE

[75] Inventors: Daniel F. Ansell, Coral Springs; James D. Childs, Jr., Palm Beach Gardens; Hunter T. Foy; Michael S. Miller, both of Boca Raton, all of Fla.

[73] Assignee: International Business Machines Corporation, Armonk, N.Y.

[**] Term: 14 Years

[21] Appl. No.: 14,890

[22] Filed: Nov. 2, 1993

[52] U.S. Cl. D14/144; D14/100; D14/138

[58] Field of Search D14/100, 107, 114, 116, D14/118, 137, 138, 140, 142, 144, 147, 148, 240, 248; 379/58-61, 419, 420, 428, 440, 433-436; D18/7; 455/90

[56] **References Cited**

U.S. PATENT DOCUMENTS

- D. 300,431 3/1989 Sube et al. D14/138
- D. 305,533 1/1990 Perkins et al. D14/248 X

- D. 309,302 7/1990 Dickson D14/248 X
- D. 325,730 4/1992 van der Zon D14/248 X
- D. 327,064 6/1992 Ditzig et al. D14/140 X
- D. 330,023 10/1992 Kikuchi et al. D14/138
- D. 340,228 10/1993 Clark D14/100
- D. 350,119 8/1994 Kumar et al. D14/100
- D. 351,144 10/1994 Fishbine et al. D14/100 X
- 5,265,158 11/1993 Tattari 455/90 X

Primary Examiner—Jeffrey Asch
Attorney, Agent, or Firm—George E. Grosser

[57] **CLAIM**

The ornamental design for a computerized mobile telephone, as shown and described.

DESCRIPTION

FIG. 1 is a bottom, front, left perspective view of a computerized mobile telephone according to the invention;
 FIG. 2 is a top, rear, right perspective thereof;
 FIG. 3 is a left elevational view thereof;
 FIG. 4 is a right elevational view thereof;
 FIG. 5 is a front elevational view thereof;
 FIG. 6 is a rear elevational view thereof;
 FIG. 7 is a bottom plan view thereof; and,
 FIG. 8 is a top plan view thereof.

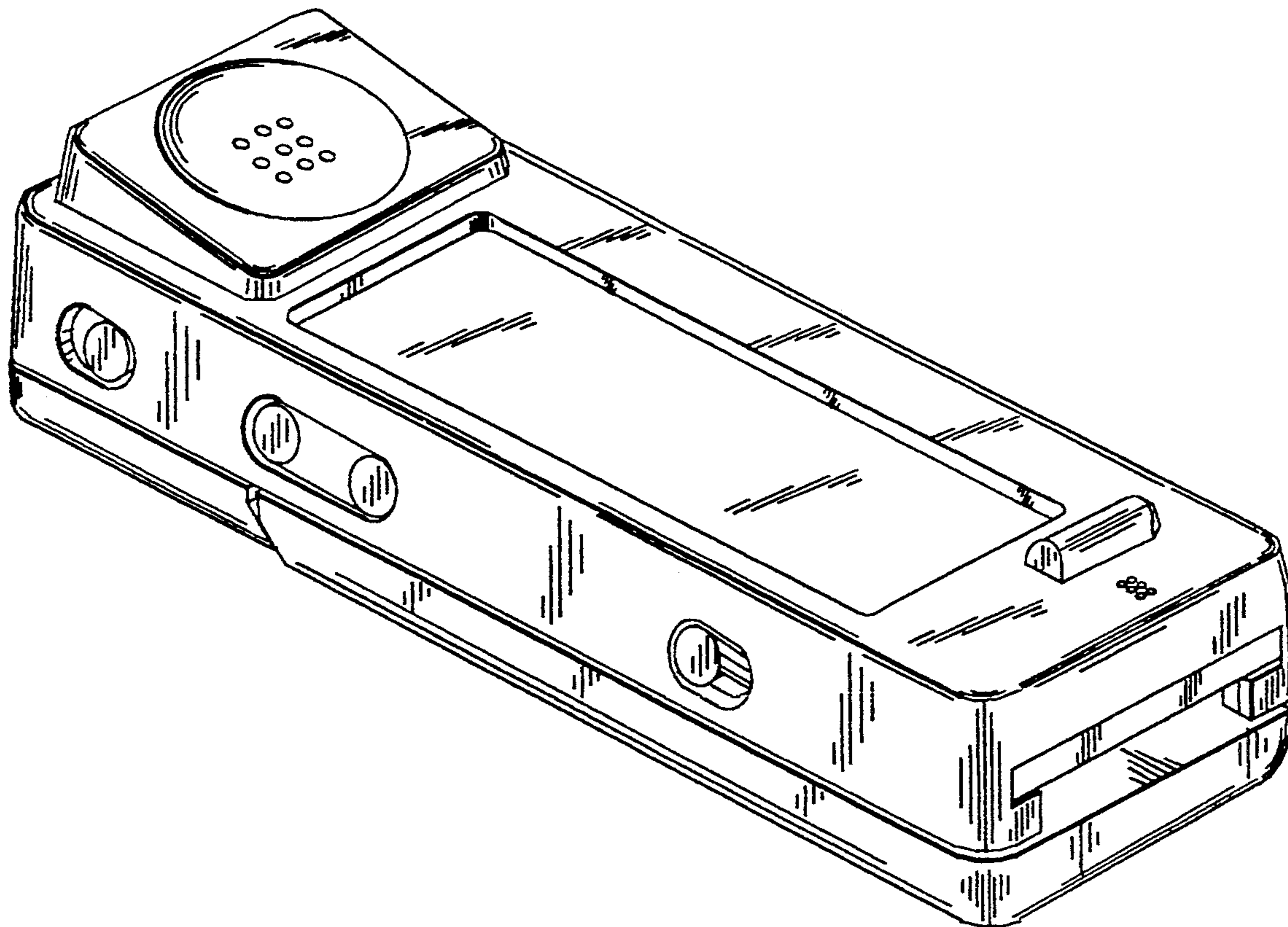


FIG. 1

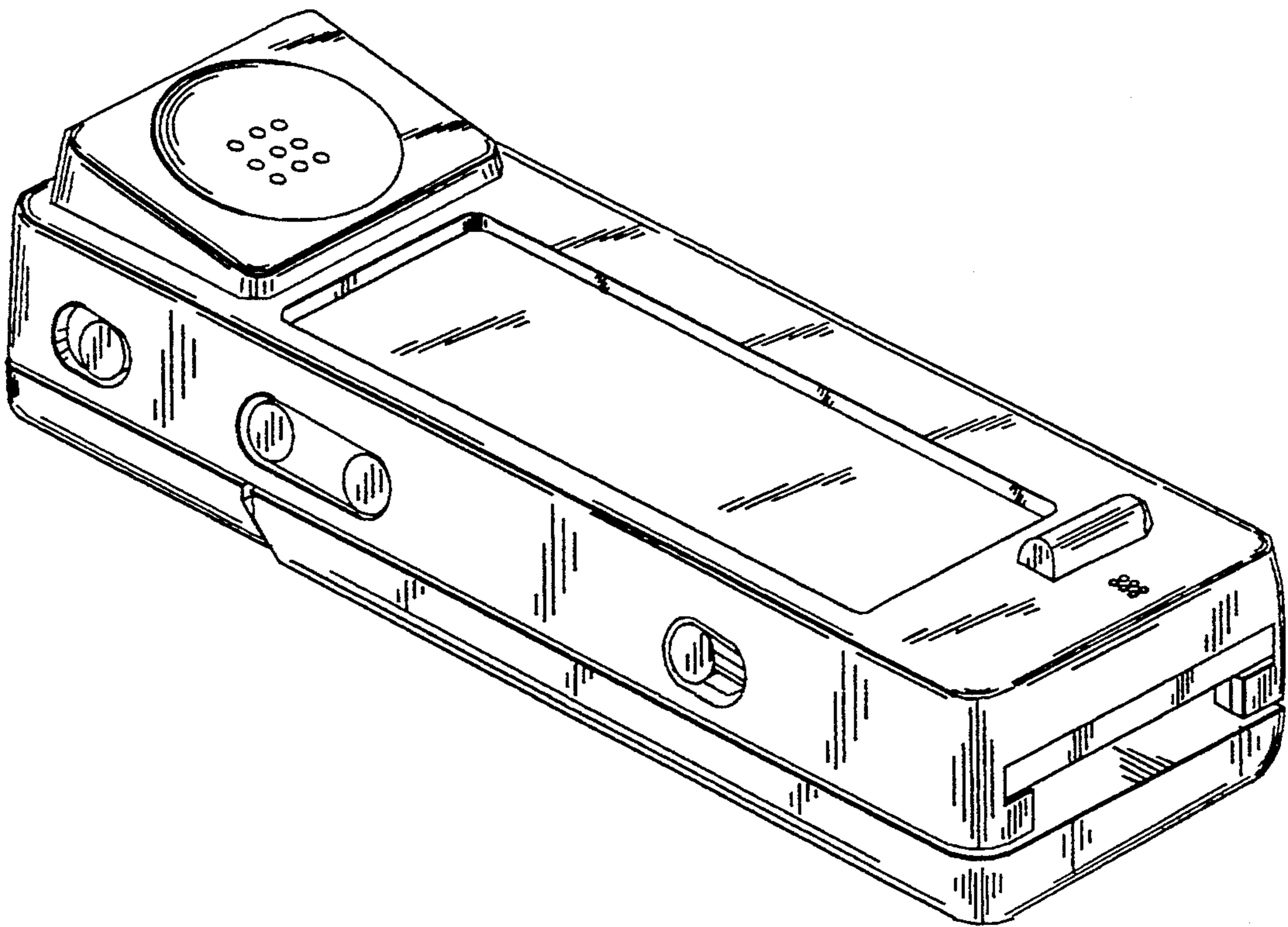


FIG. 2

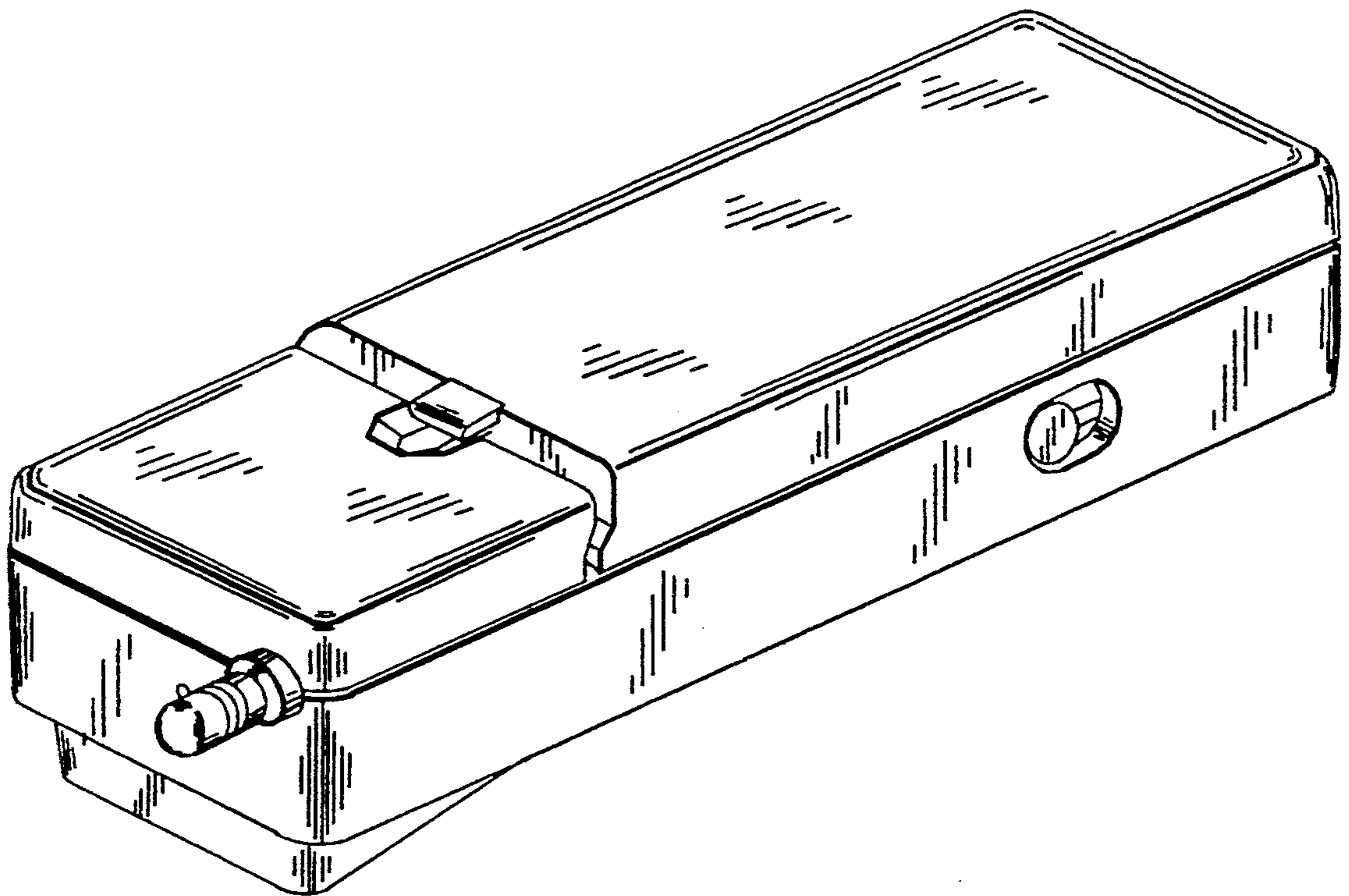


FIG. 3

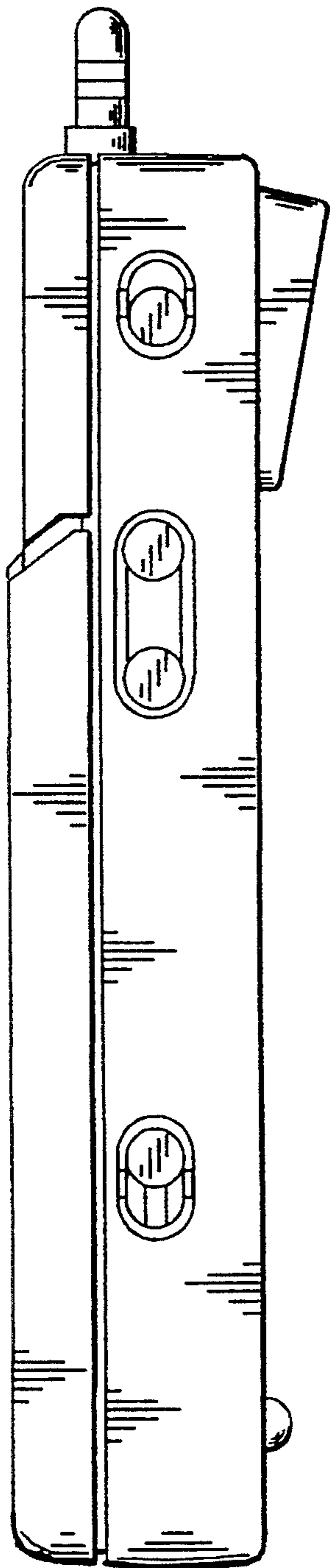


FIG. 4

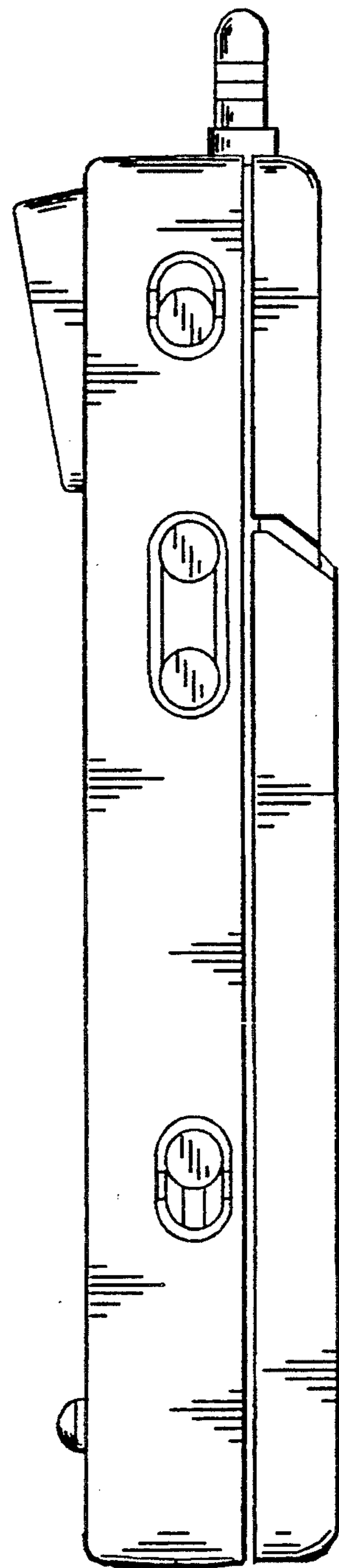


FIG. 5

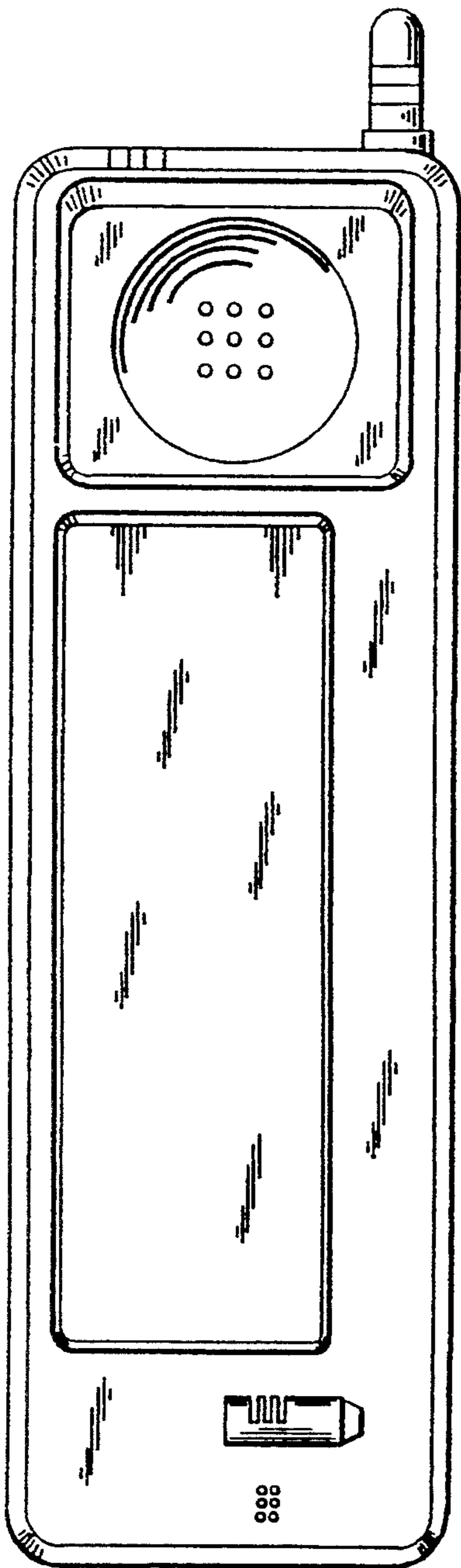


FIG. 6

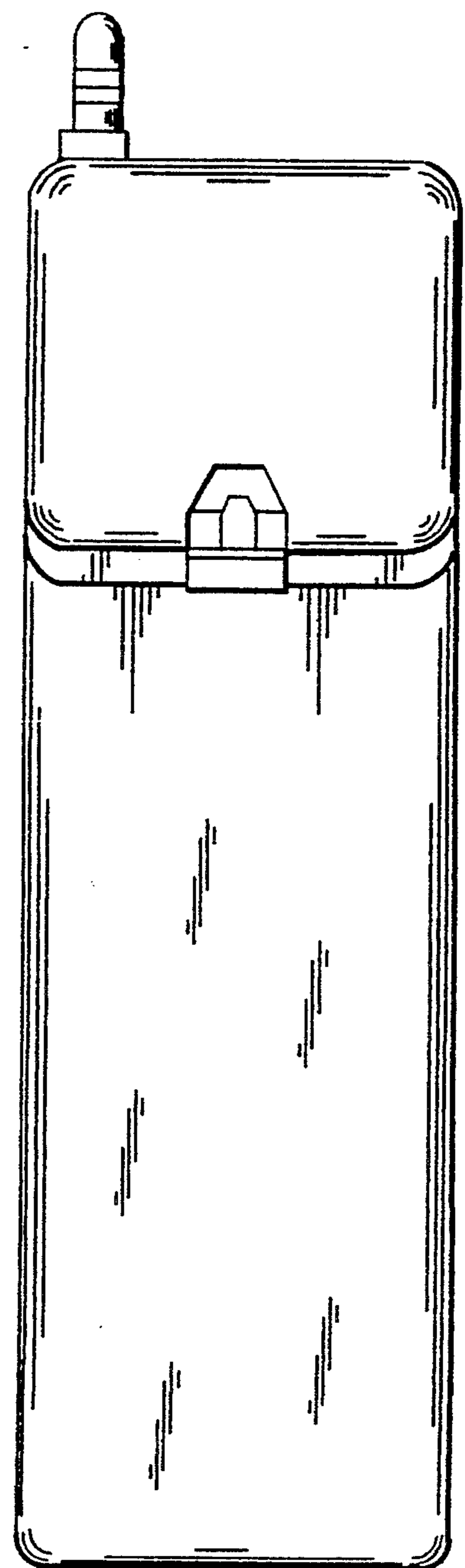


FIG. 7

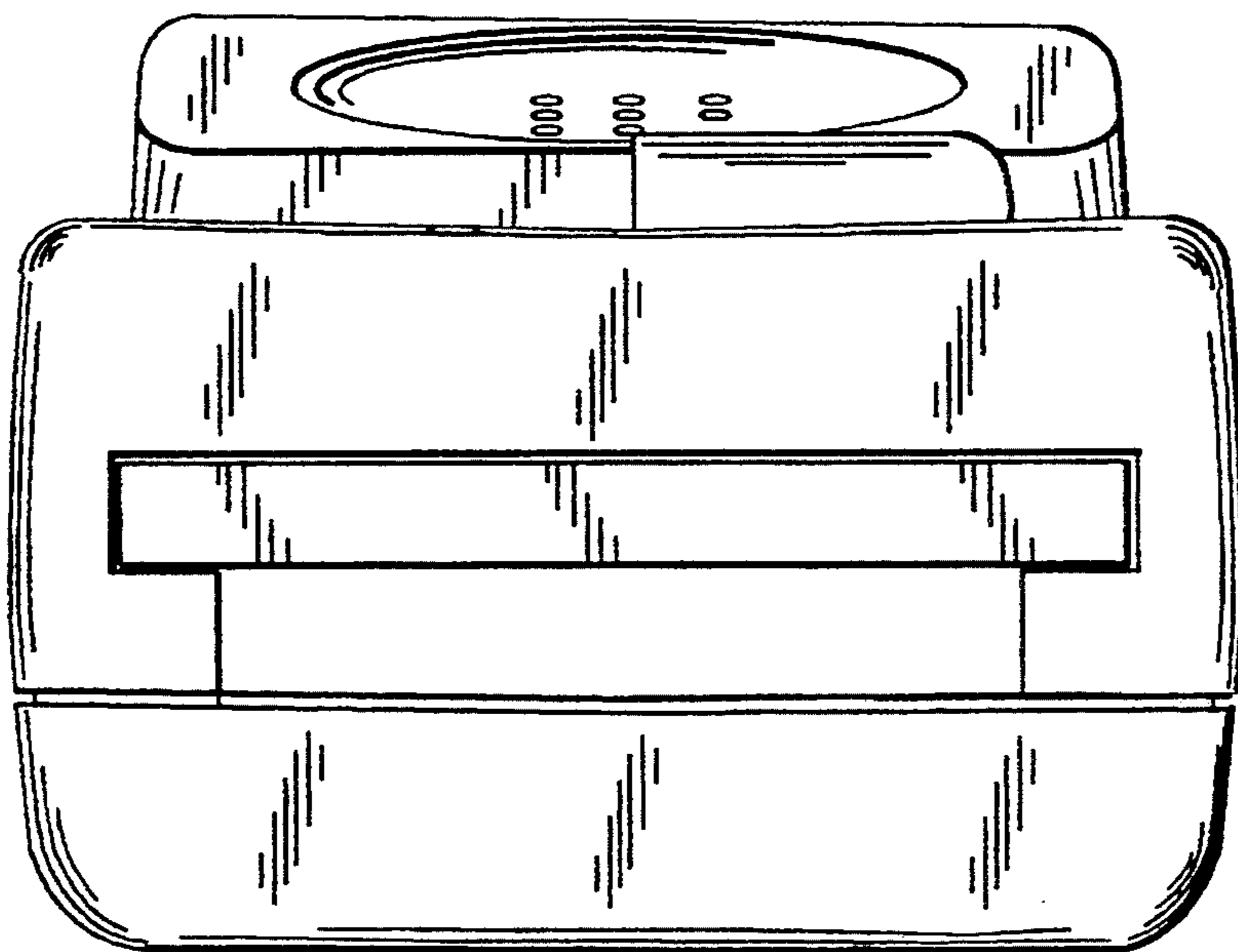


FIG. 8

