



US00D362250S

United States Patent [19]

[11] Patent Number: **Des. 362,250**

Harding et al.

[45] Date of Patent: **** Sep. 12, 1995**

[54] PCMCIA RADIO TELEPHONE

[75] Inventors: **James A. Harding**, Boca Raton;
Victor S. Moore, Boynton Beach;
Douglas M. O'Neal, Delray Beach,
all of Fla.

[73] Assignee: **International Business Machines Corporation**, Armonk, N.Y.

[**] Term: **14 Years**

[21] Appl. No.: **24,719**

[22] Filed: **Jun. 20, 1994**

[52] U.S. Cl. **D14/138; D14/107; D14/242**

[58] Field of Search **D14/100, 107, 114, 138, D14/140, 147, 148, 248, 240, 242, 299, 256; D13/107, 108, 146, 147; 379/93, 441, 442, 58-61; 439/131, 676; 361/686, 683, 679; 455/89,90**

[56] References Cited

U.S. PATENT DOCUMENTS

| | | | | |
|------------|---------|------------------|-------|-----------|
| D. 313,970 | 1/1991 | Reeves | | D13/147 |
| D. 326,447 | 5/1992 | Hofland et al. | | D14/107 |
| D. 331,394 | 12/1992 | Kobayashi et al. | | D14/107 |
| D. 335,173 | 2/1993 | Fenton et al. | | D14/242 X |
| D. 340,058 | 10/1993 | Wetzel et al. | | D14/107 X |
| D. 354,953 | 1/1995 | Kazufimi et al. | | D14/114 |

| | | | | |
|------------|---------|-----------------|-------|-----------|
| D. 355,412 | 2/1995 | Rak et al. | | D14/242 X |
| 4,878,848 | 11/1989 | Ingalsbe | | D13/147 X |
| 5,328,390 | 7/1994 | Johnston et al. | | 439/676 X |
| 5,336,099 | 8/1994 | Aldous et al. | | 439/131 |
| 5,370,541 | 12/1994 | Bossard | | 439/131 |

Primary Examiner—Jeffrey Asch
Attorney, Agent, or Firm—Anthony N. Magistrale

[57] CLAIM

The ornamental design for a PCMCIA radio telephone, as shown and described.

DESCRIPTION

FIG. 1 is a front, top and left side perspective view of a PCMCIA radio telephone according to the present invention;

FIG. 2 is a front elevational view thereof;

FIG. 3 is a rear elevational view thereof;

FIG. 4 is a left side elevational view thereof;

FIG. 5 is a right side elevational view thereof;

FIG. 6 is a top plan view thereof;

FIG. 7 is a bottom plan view thereof;

FIG. 8 is a front, top and left side perspective view of another embodiment of a PCMCIA radio in accordance with the present invention; and,

FIG. 9 is a front elevational view thereof.

The rear, bottom, and right side of the second embodiment are the same in appearance as those of the first embodiment as best seen in FIGS. 3, 7, and 5 respectively.

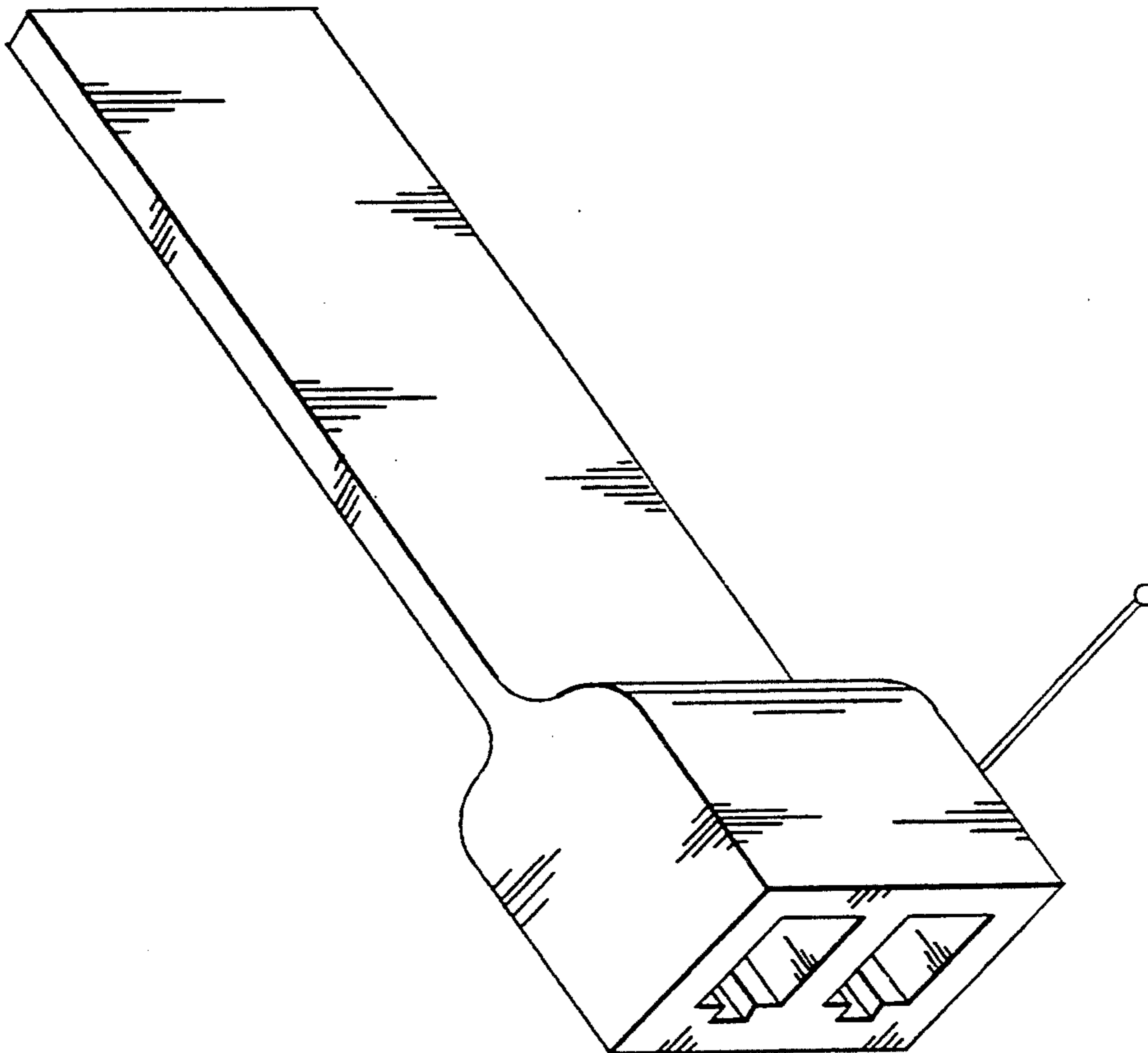


FIG. 1

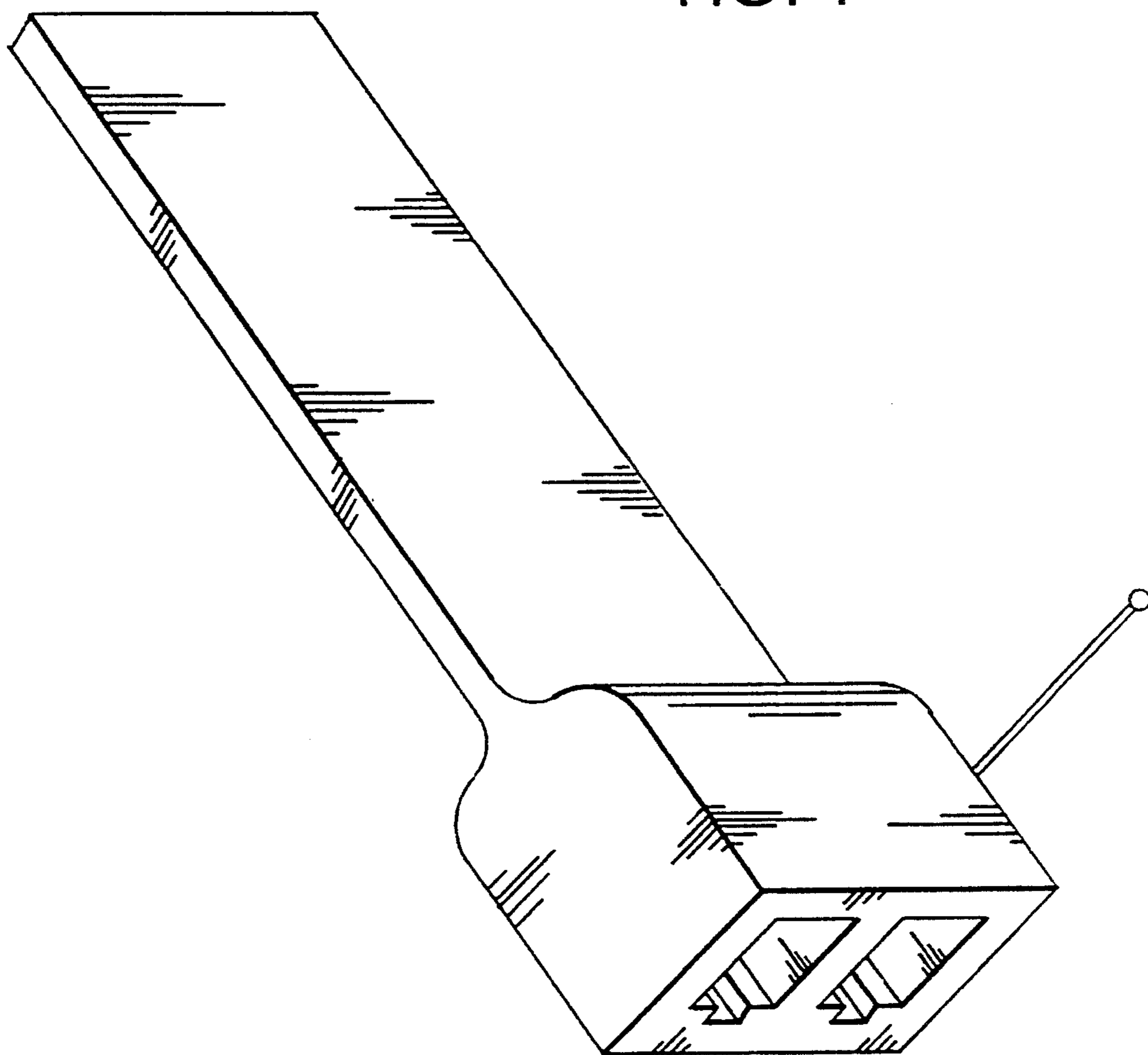


FIG. 2

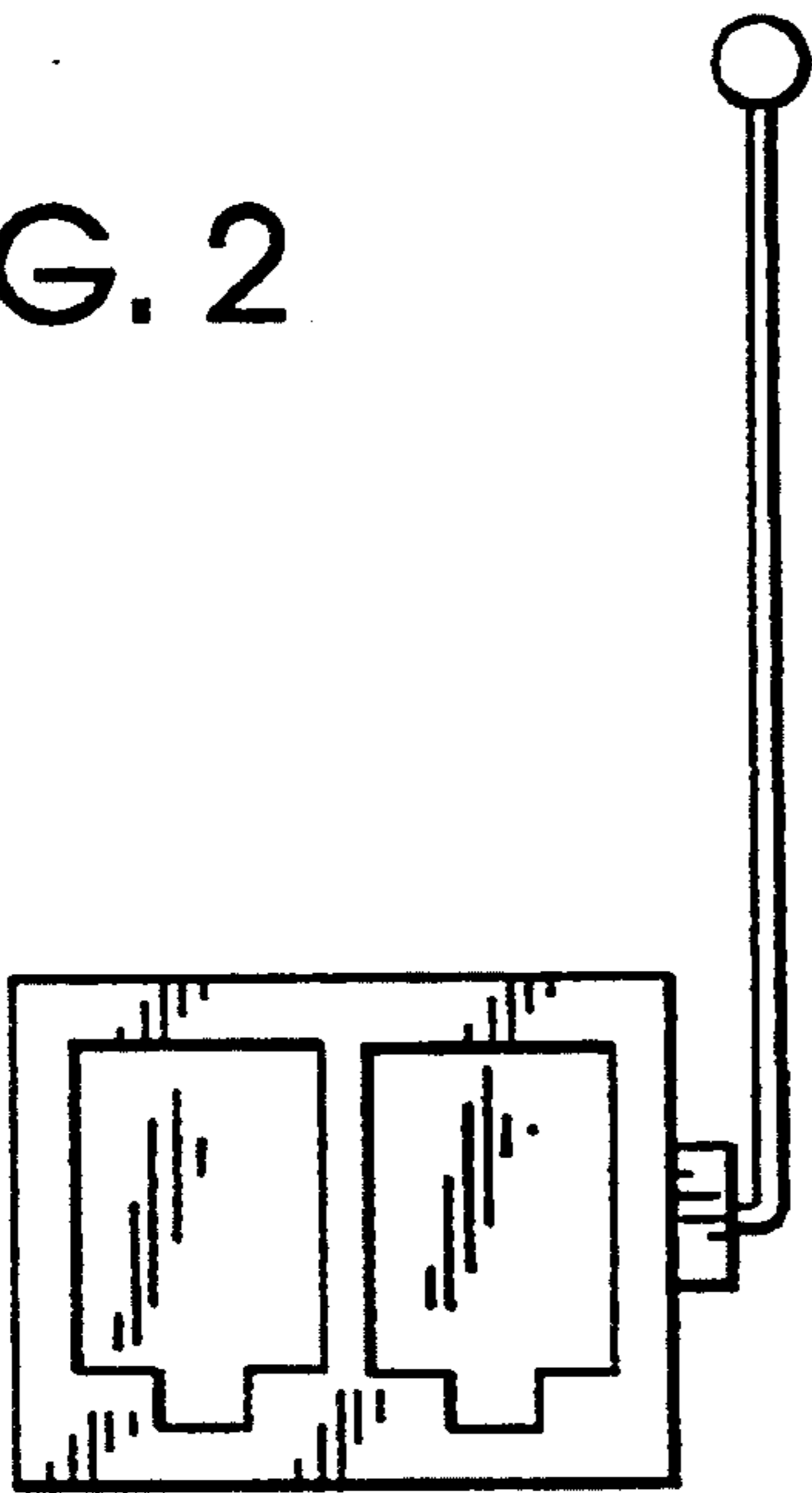


FIG. 3

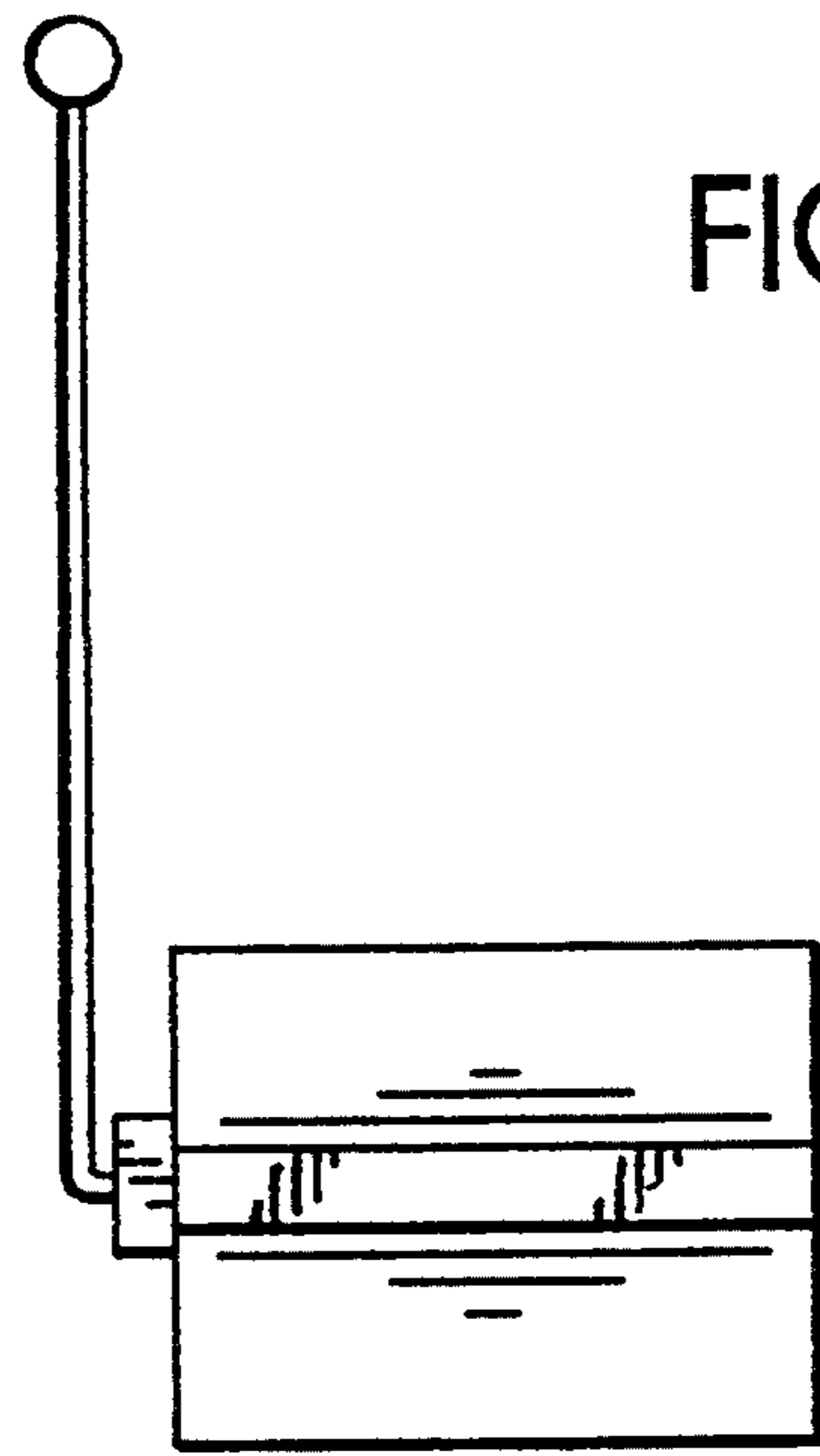


FIG. 9

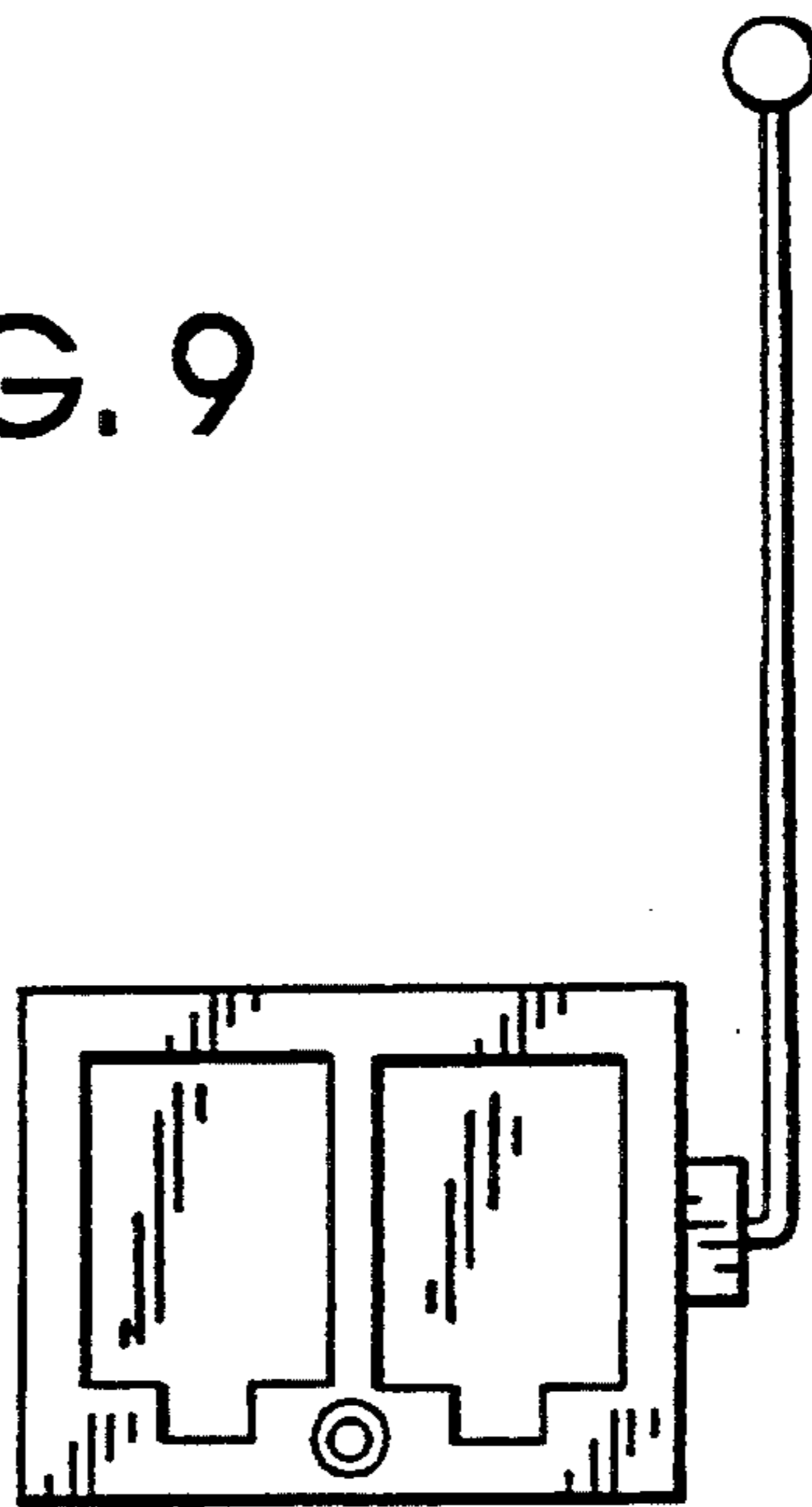


FIG. 4

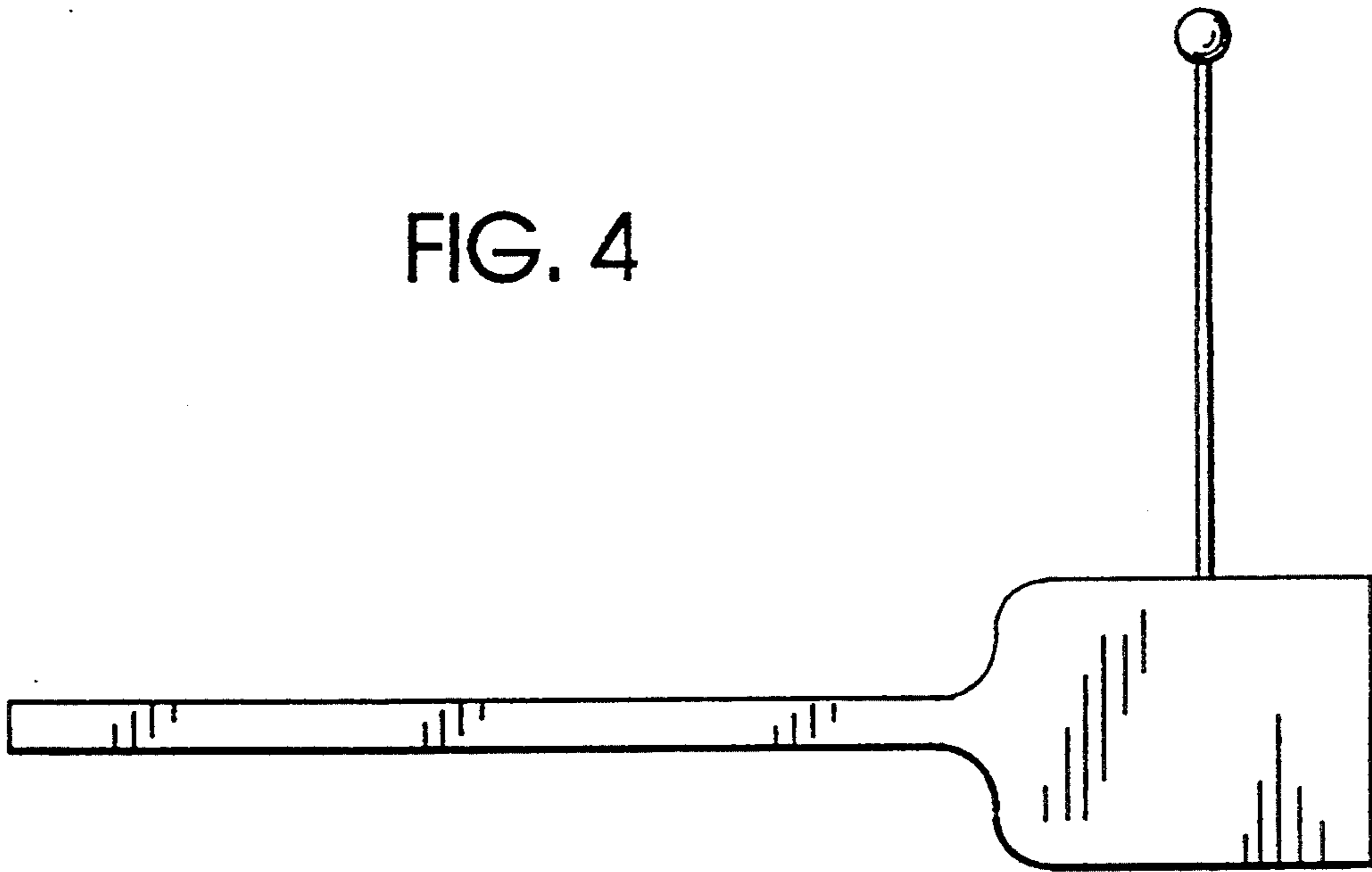


FIG. 5

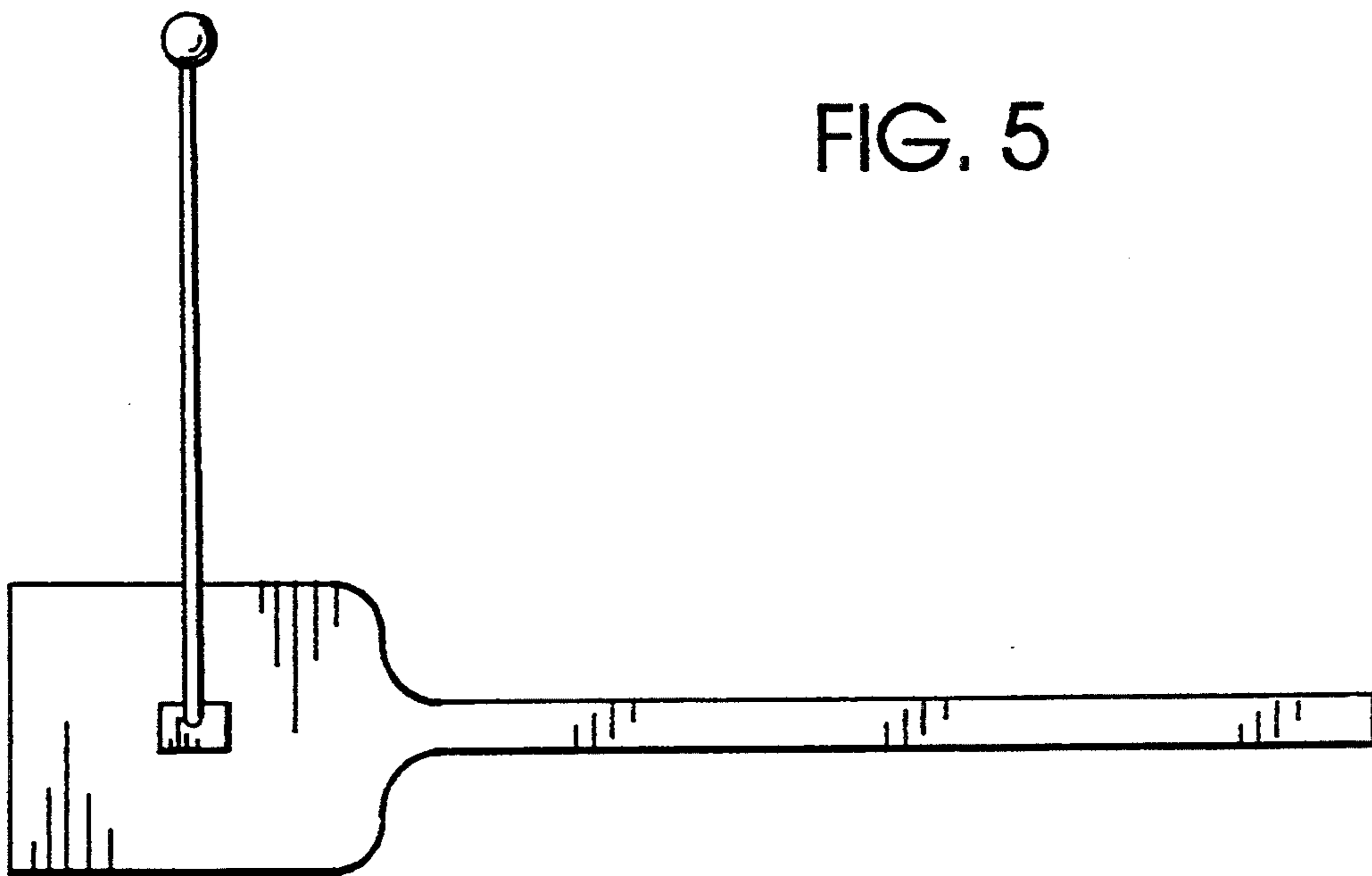


FIG. 6

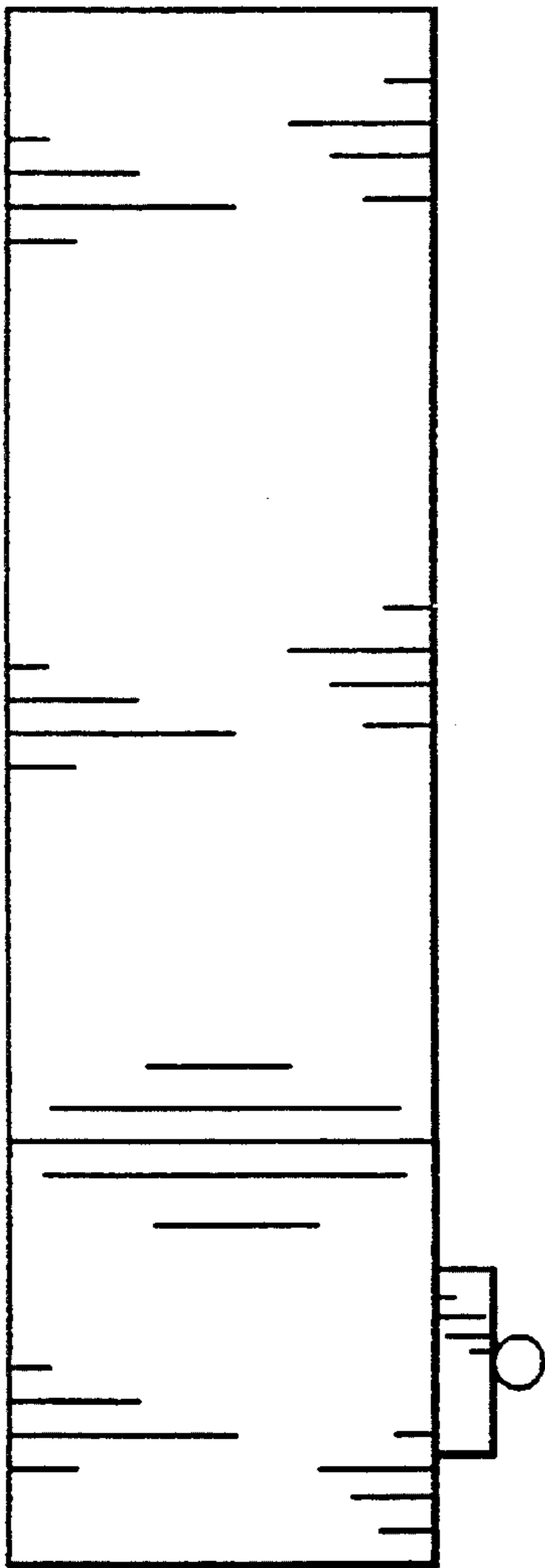


FIG. 7

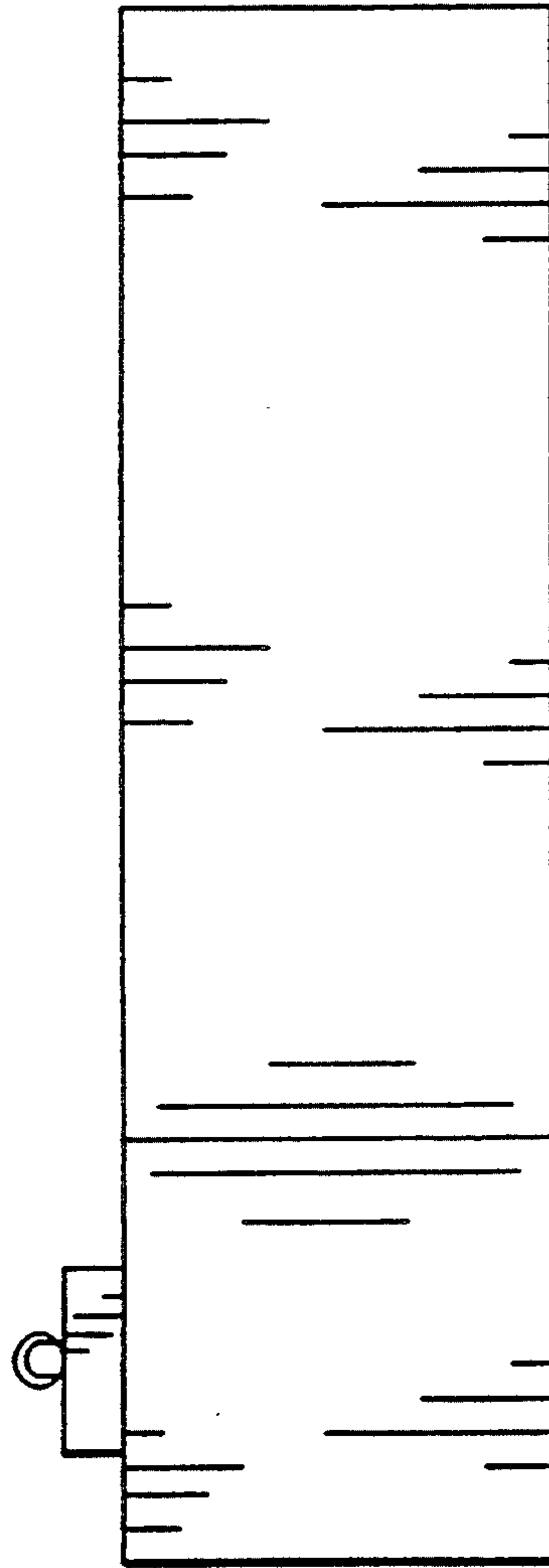


FIG. 8

