



US00D362247S

United States Patent [19]

[11] Patent Number: Des. 362,247

Erickson, Jr. et al.

[45] Date of Patent: ** Sep. 12, 1995

[54] **HINGED FRONT PANEL FOR A TAPE DRIVE LOADER WITH A SECURITY LOCK COVER**

[75] Inventors: **Jack N. Erickson, Jr.; Jack M. Gazza; Thomas E. Mallette; Victor S. Olivas**, all of Tucson, Ariz.

[73] Assignee: **International Business Machines Corporation**, Armonk, N.Y.

[**] Term: **14 Years**

[21] Appl. No.: **14,153**

[22] Filed: **Oct. 14, 1993**

[52] U.S. Cl. **D14/115**

[58] Field of Search **D14/100, 102, 109, 115, D14/107, 108, 258; D13/162, 184, 199; 312/223.2; 358/249, 254; 361/600, 622, 724-728**

[56] **References Cited**

U.S. PATENT DOCUMENTS

- D. 304,333 10/1989 Kerezman et al. D14/115 X
- D. 347,834 6/1994 Garmon et al. D14/115
- D. 348,058 6/1994 McGrath et al. D14/115

Primary Examiner—Freda Nunn
Attorney, Agent, or Firm—D. A. Shifrin

[57] **CLAIM**

The ornamental design for a hinged front panel for a tape drive loader with a security lock cover, as shown and described.

DESCRIPTION

FIG. 1 is an enlarged top front and left side perspective view of a hinged front panel for a tape drive loader with a security cover wherein the panel door and security lock cover are closed;

FIG. 2 is an enlarged top rear and right side perspective view thereof;

FIG. 3 is a front elevational view thereof;

FIG. 4 is a left side elevational view thereof;

FIG. 5 is a right side elevational view thereof;

FIG. 6 is a top plan view thereof;

FIG. 7 is a bottom plan view thereof;

FIG. 8 is an enlarged top front and left side perspective view thereof with the panel door open;

FIG. 9 is a front elevational view thereof;

FIG. 10 is a left side elevational view thereof;

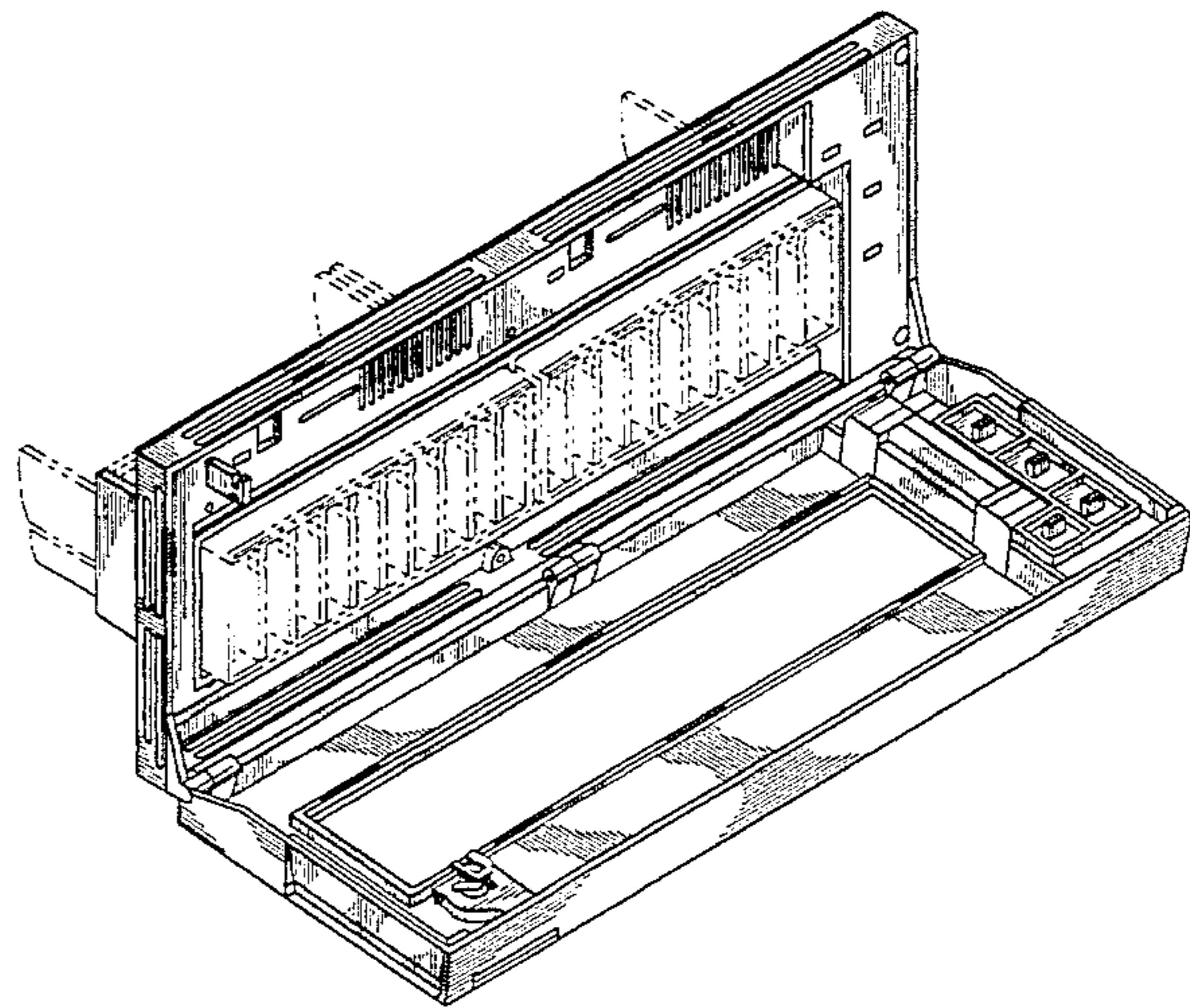
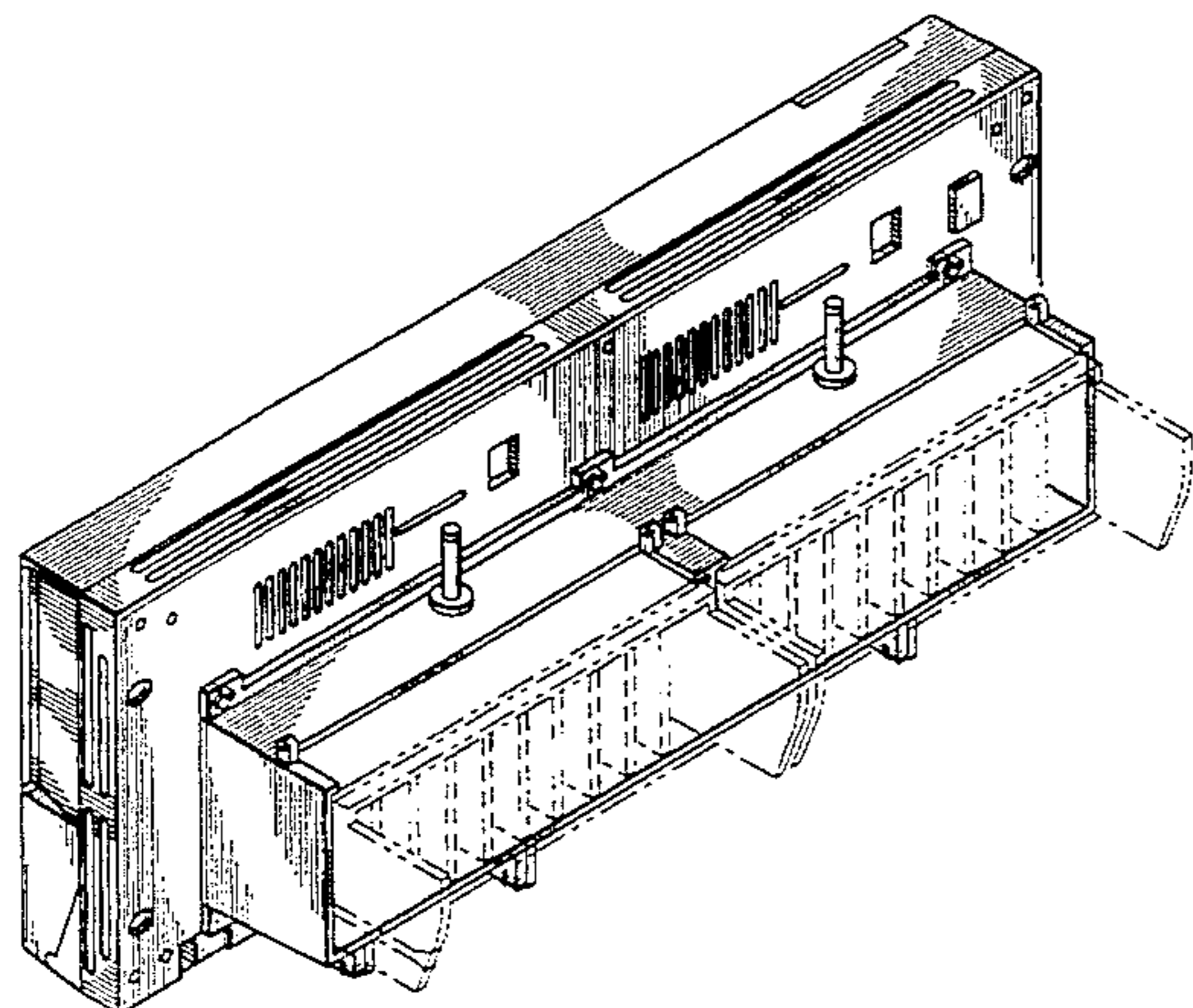
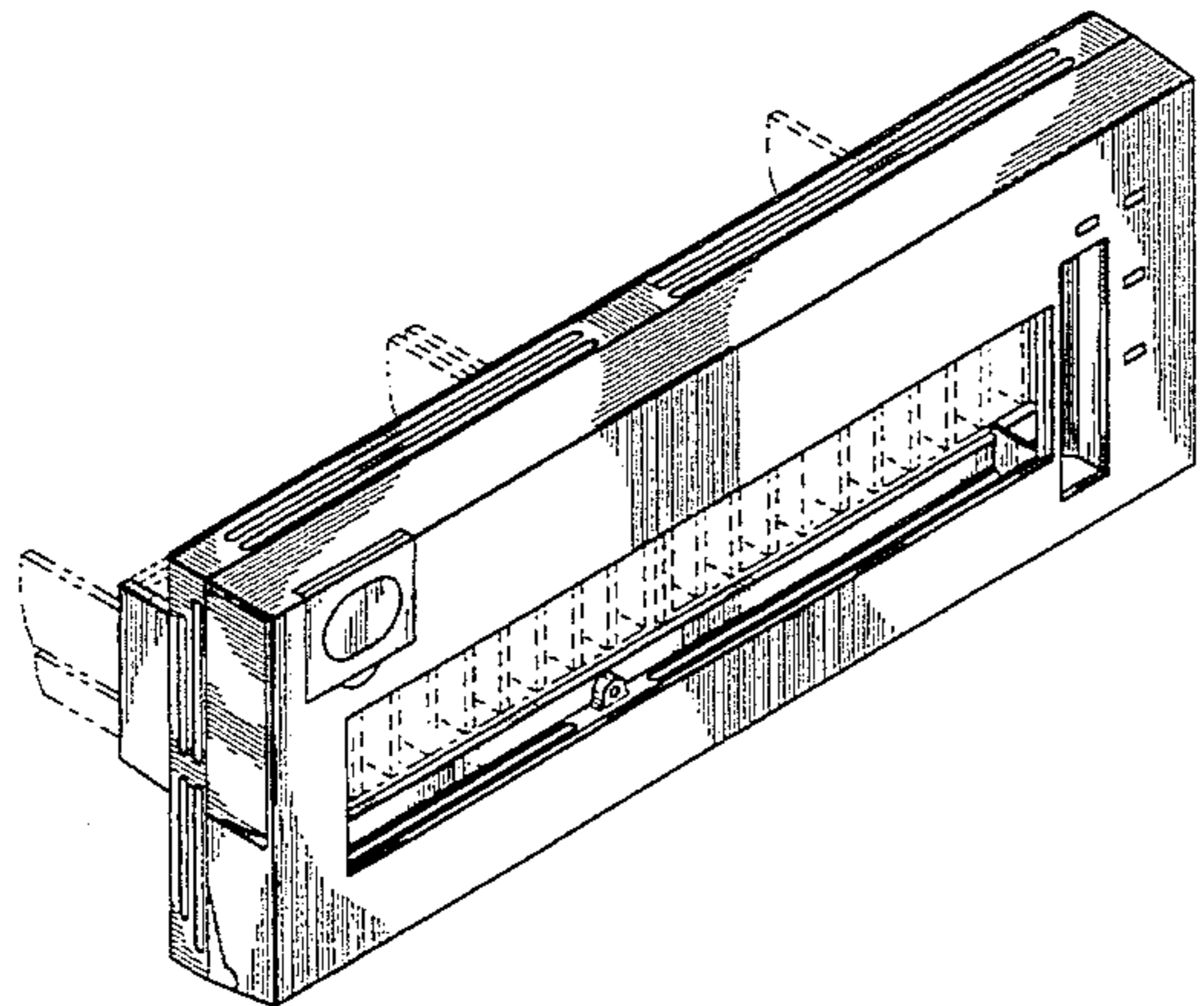
FIG. 11 is a right side elevational view thereof;

FIG. 12 is a top plan view thereof;

FIG. 13 is a bottom plan view thereof; and,

FIG. 14 is an enlarged top front and left side perspective view thereof with the security lock cover open.

The removable tape magazines are shown in broken lines in the views for illustrative purposes only and form no part of the claimed design.



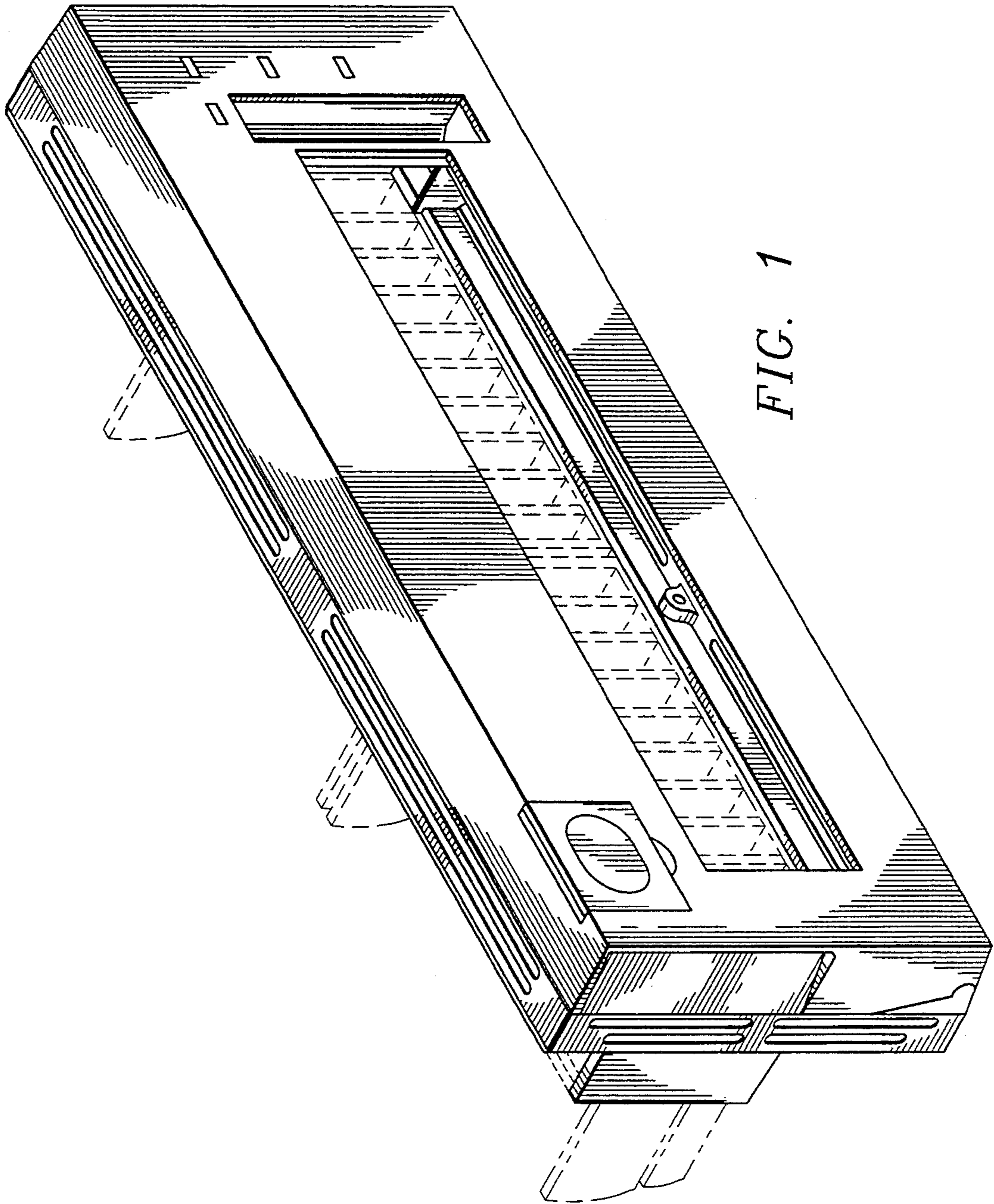


FIG. 1

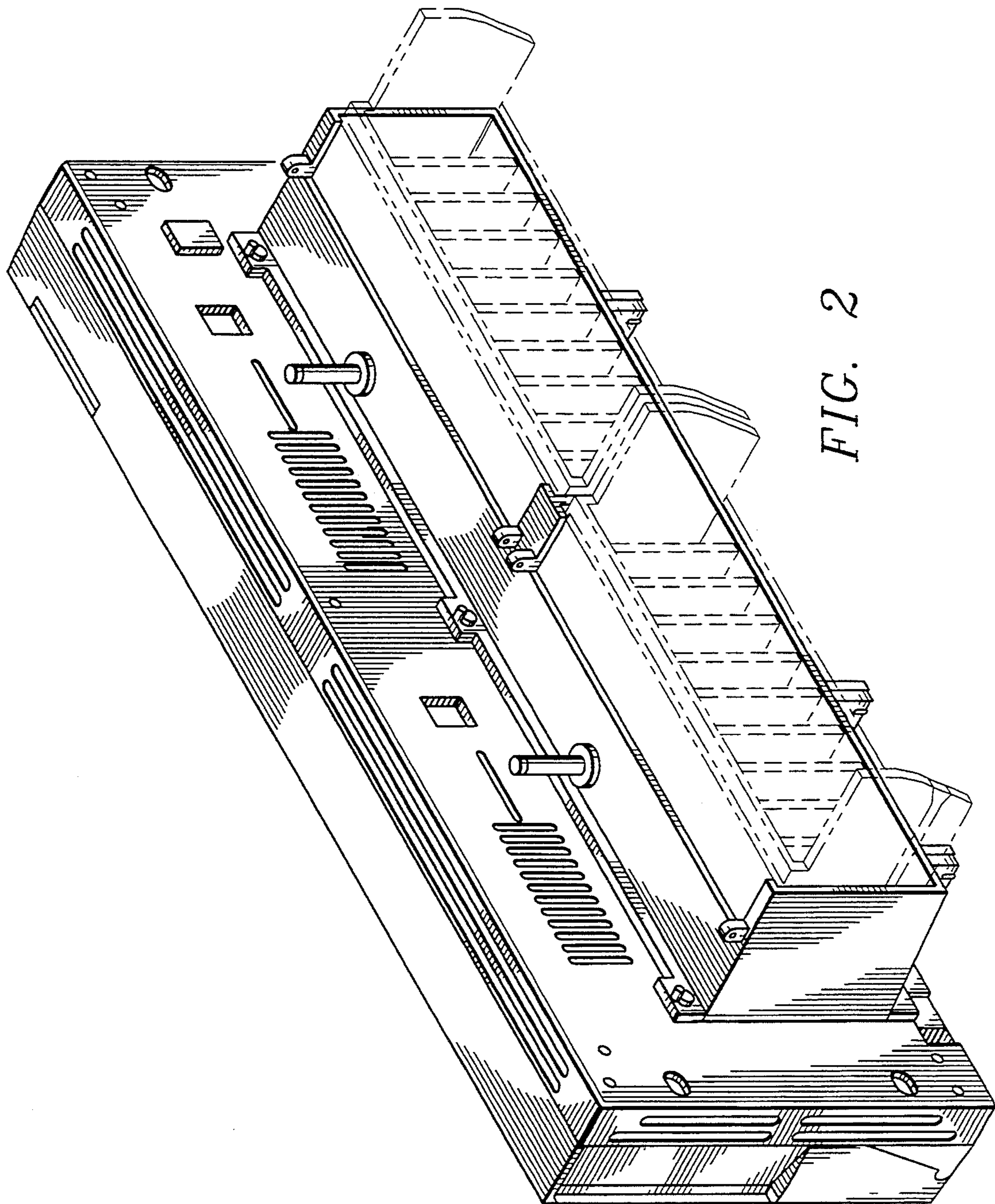


FIG. 2

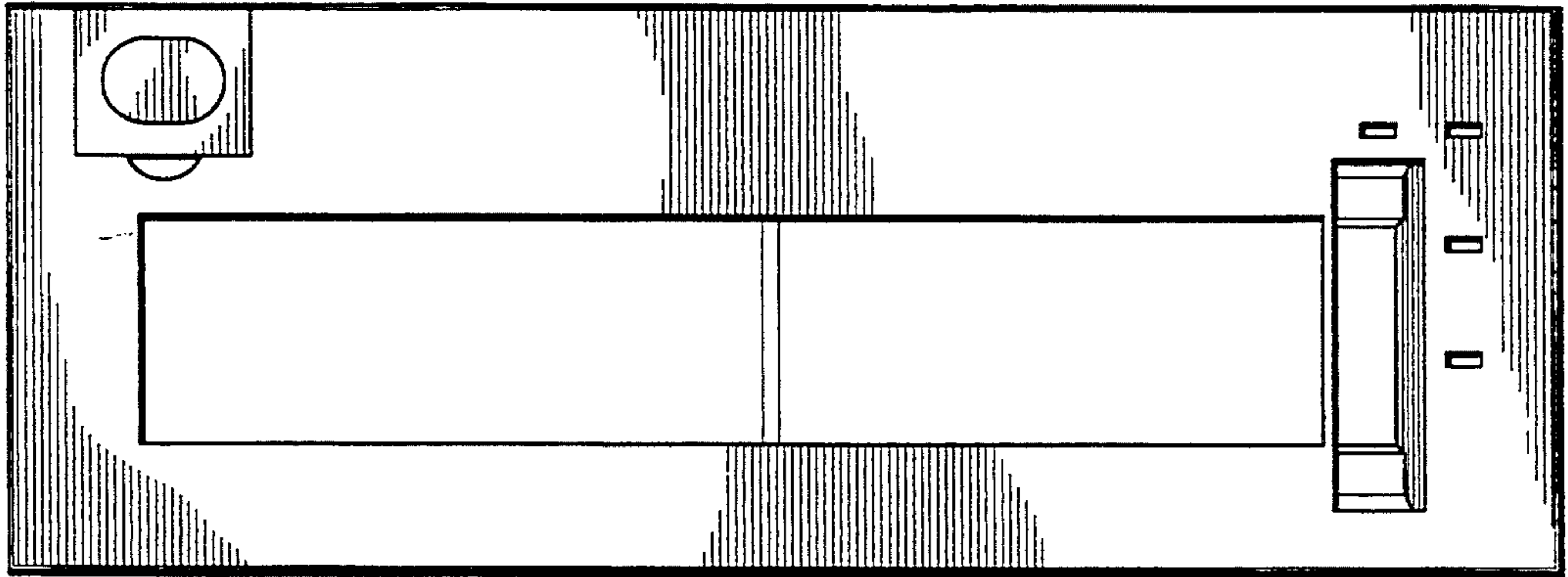


FIG. 3

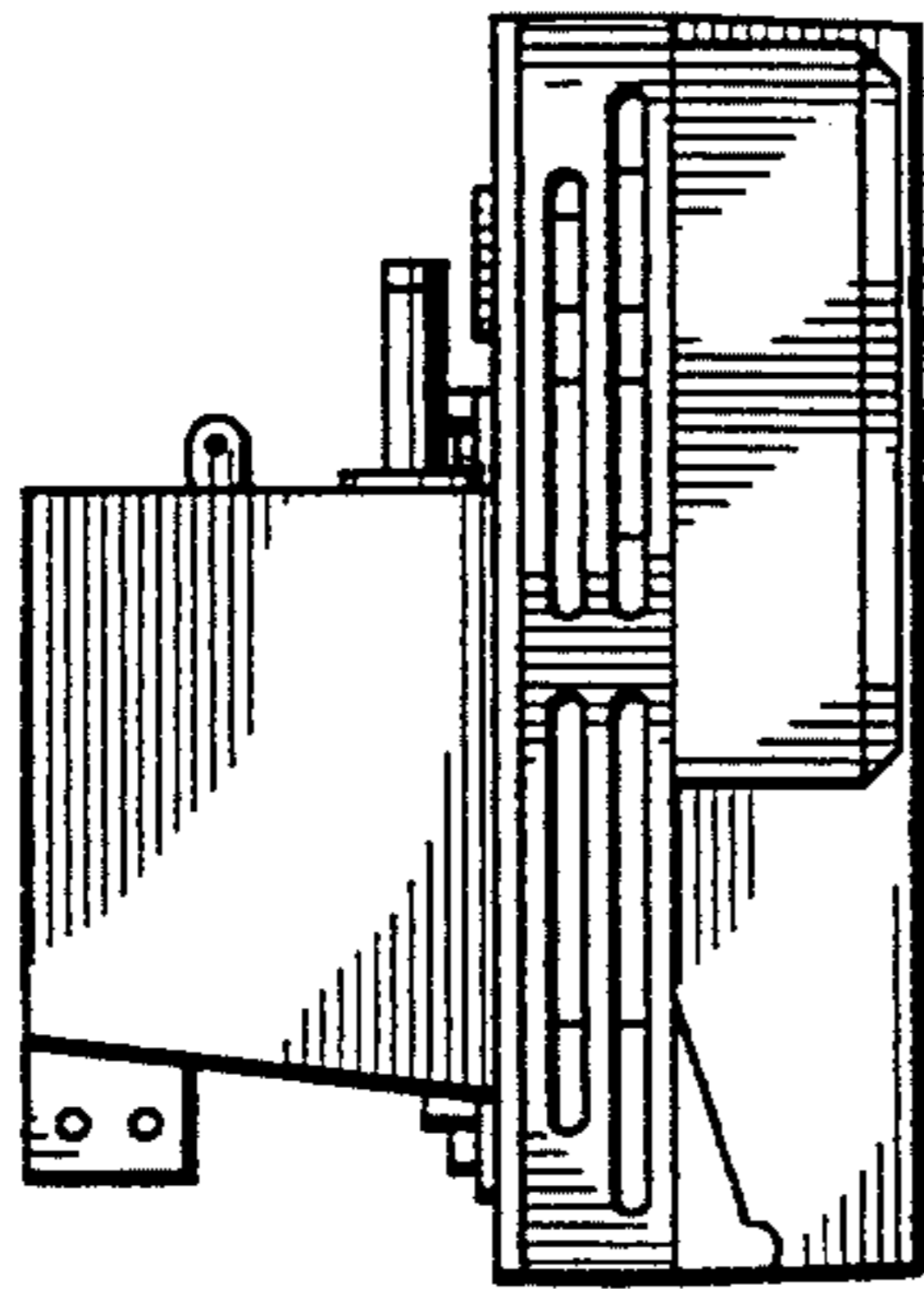


FIG. 4

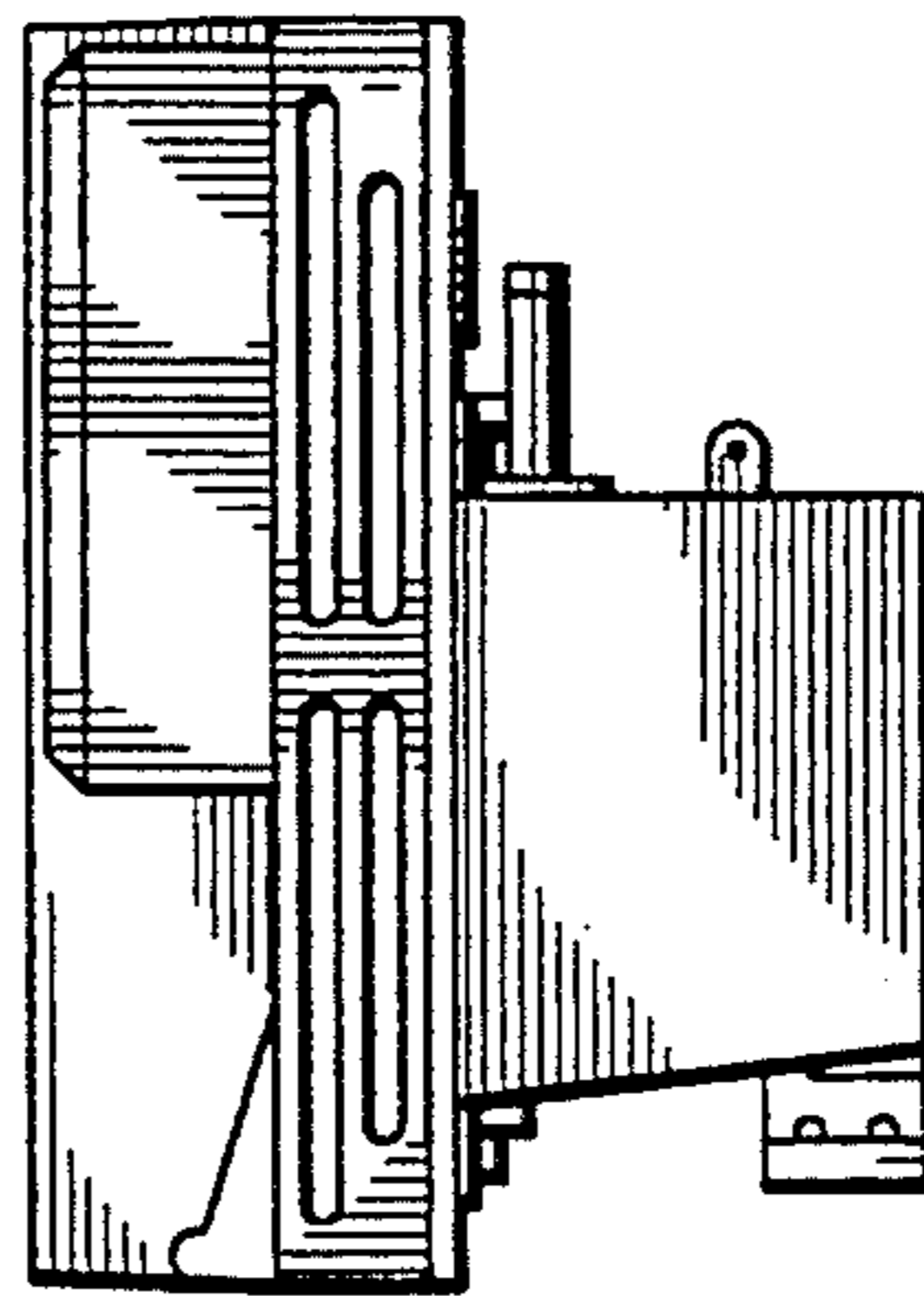


FIG. 5

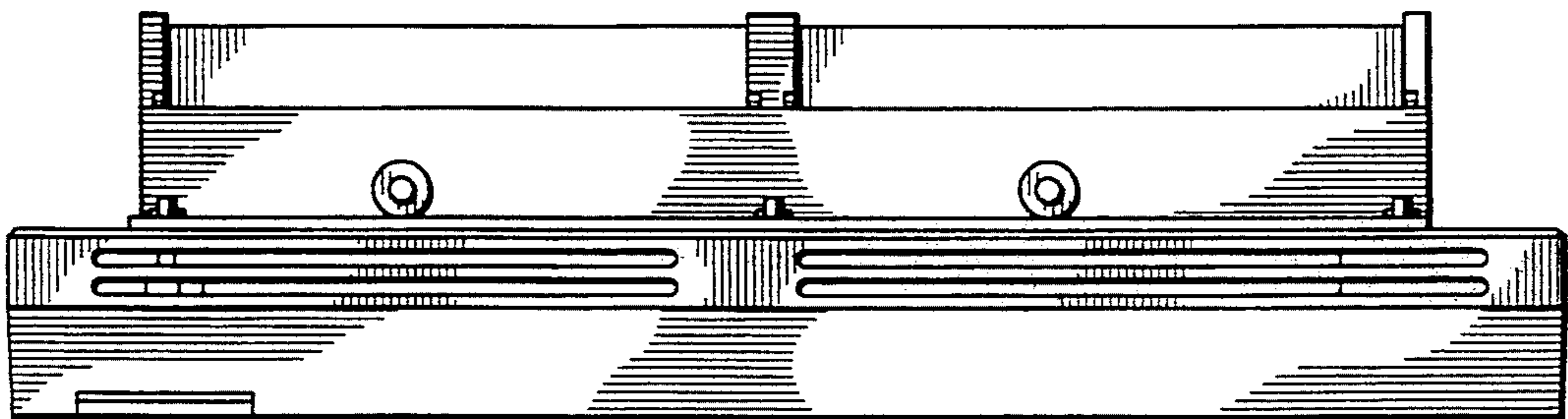


FIG. 6

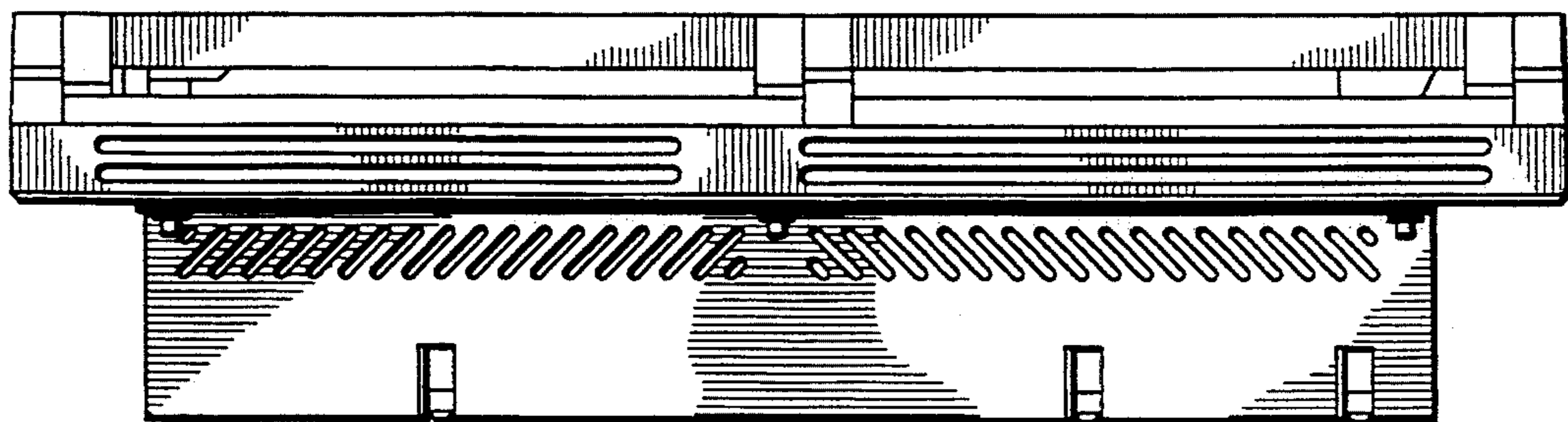


FIG. 7

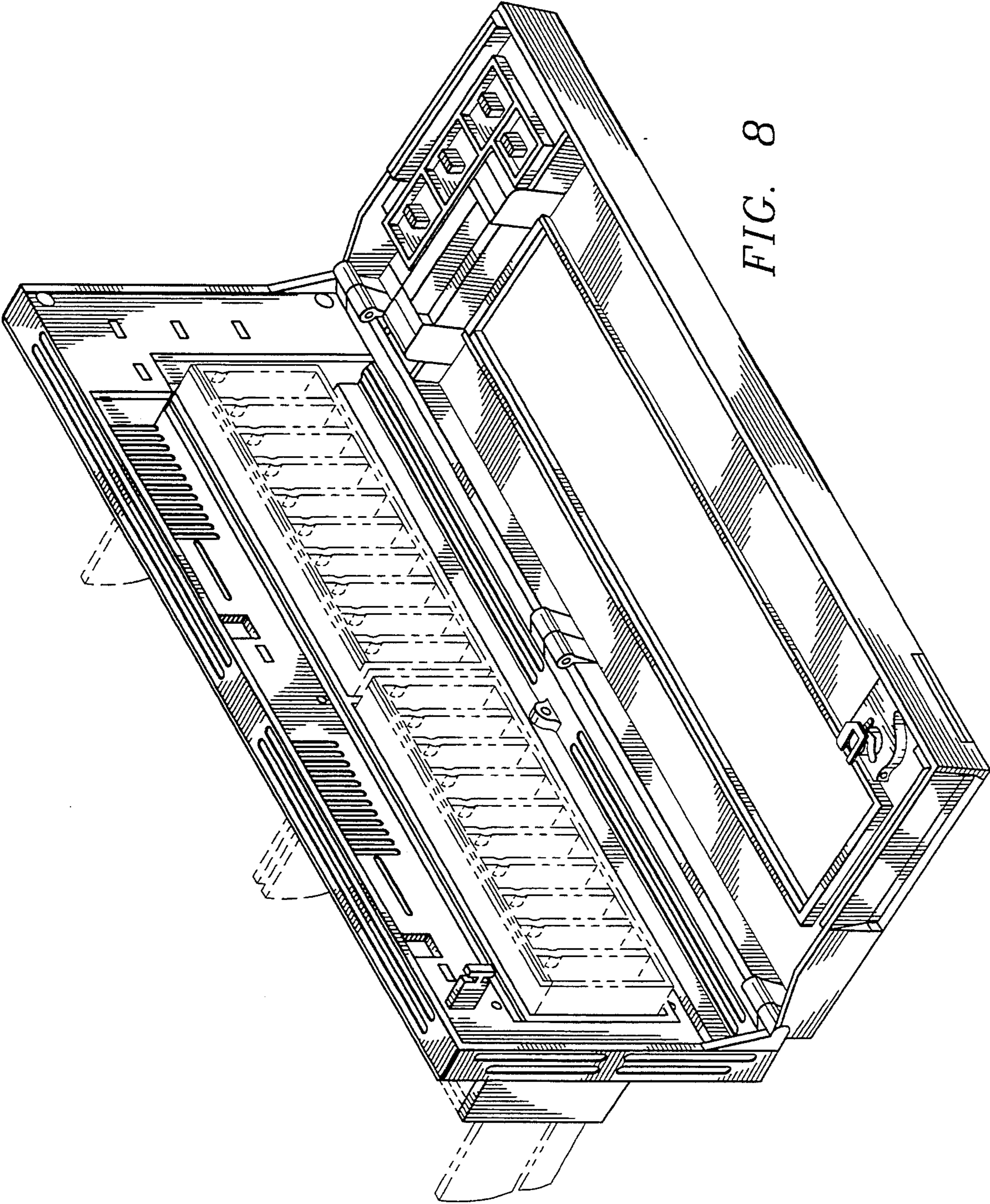


FIG. 8

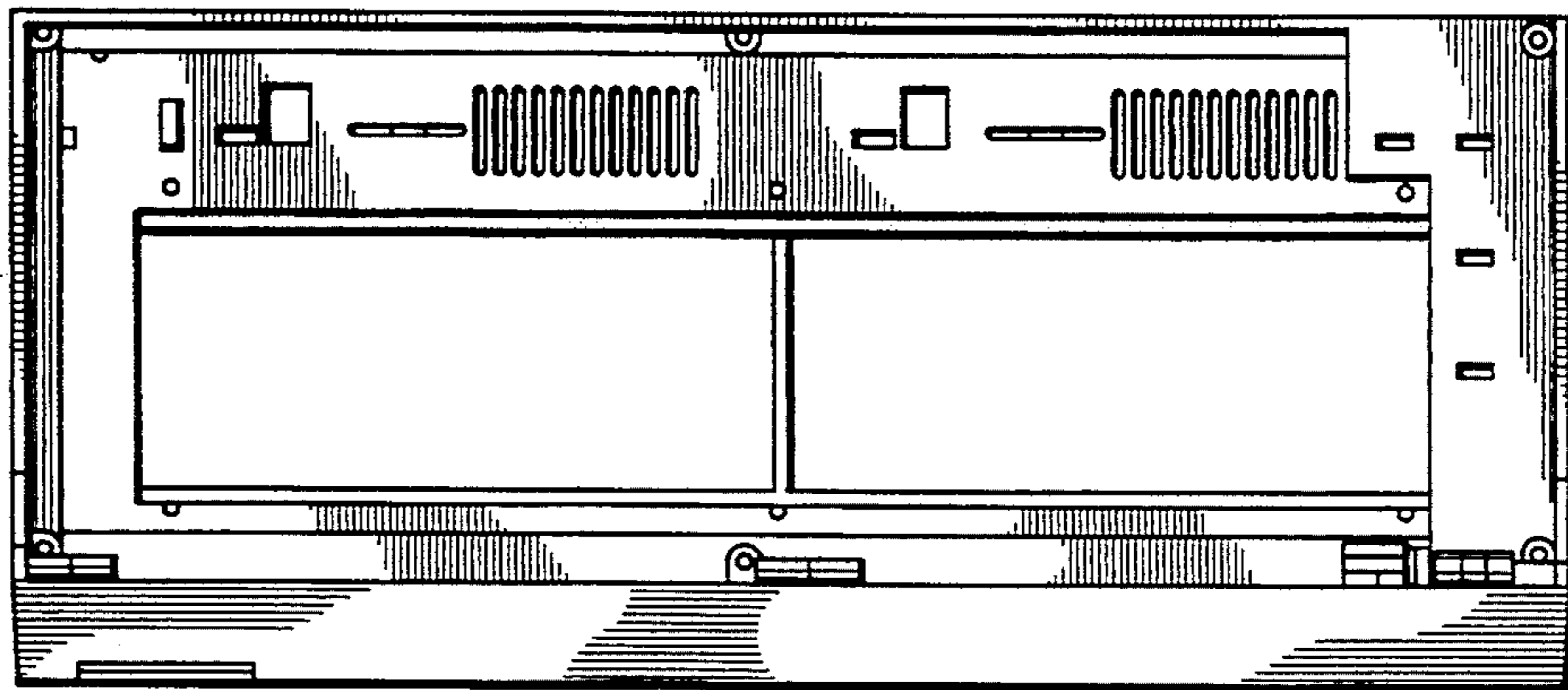


FIG. 9

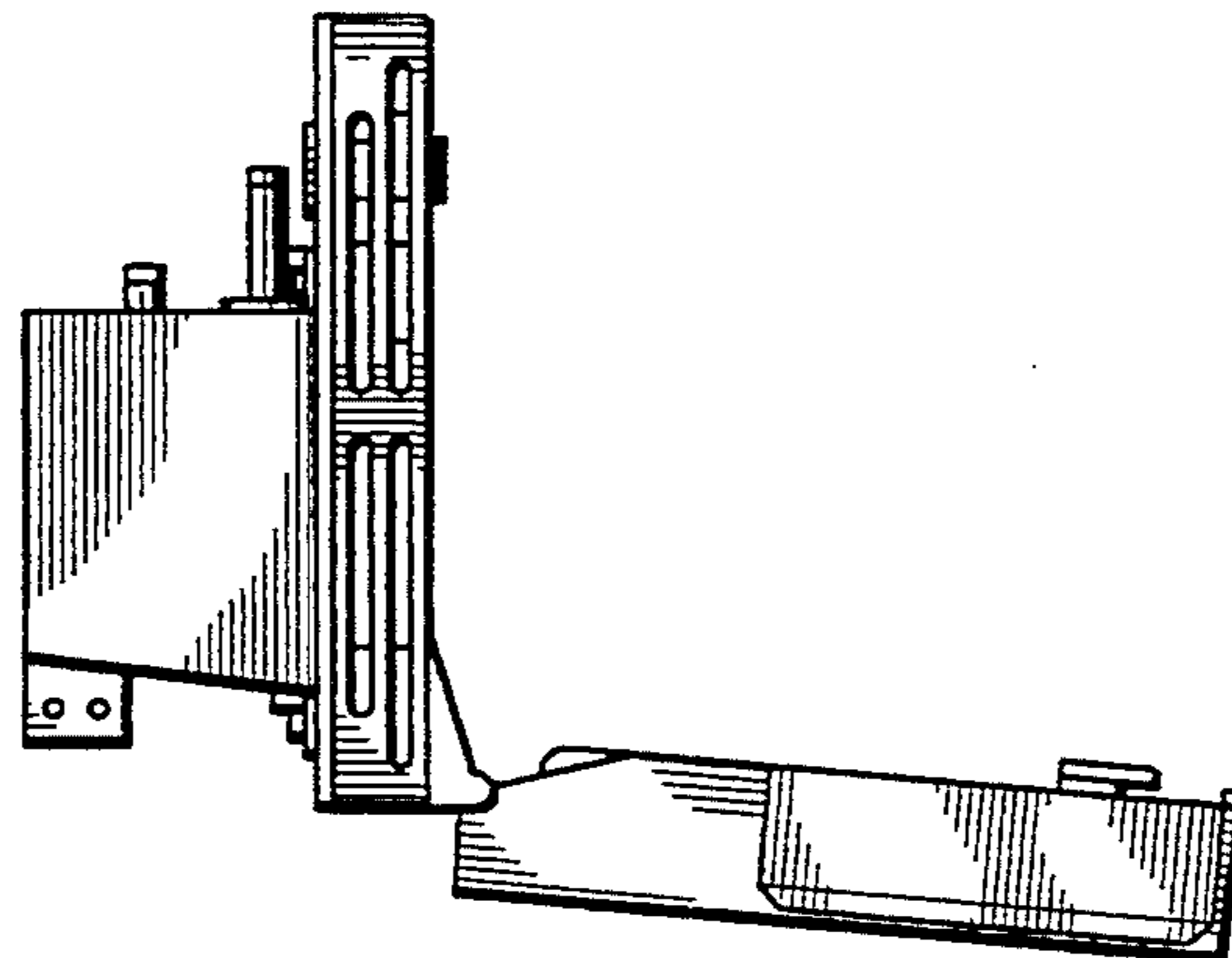


FIG. 10

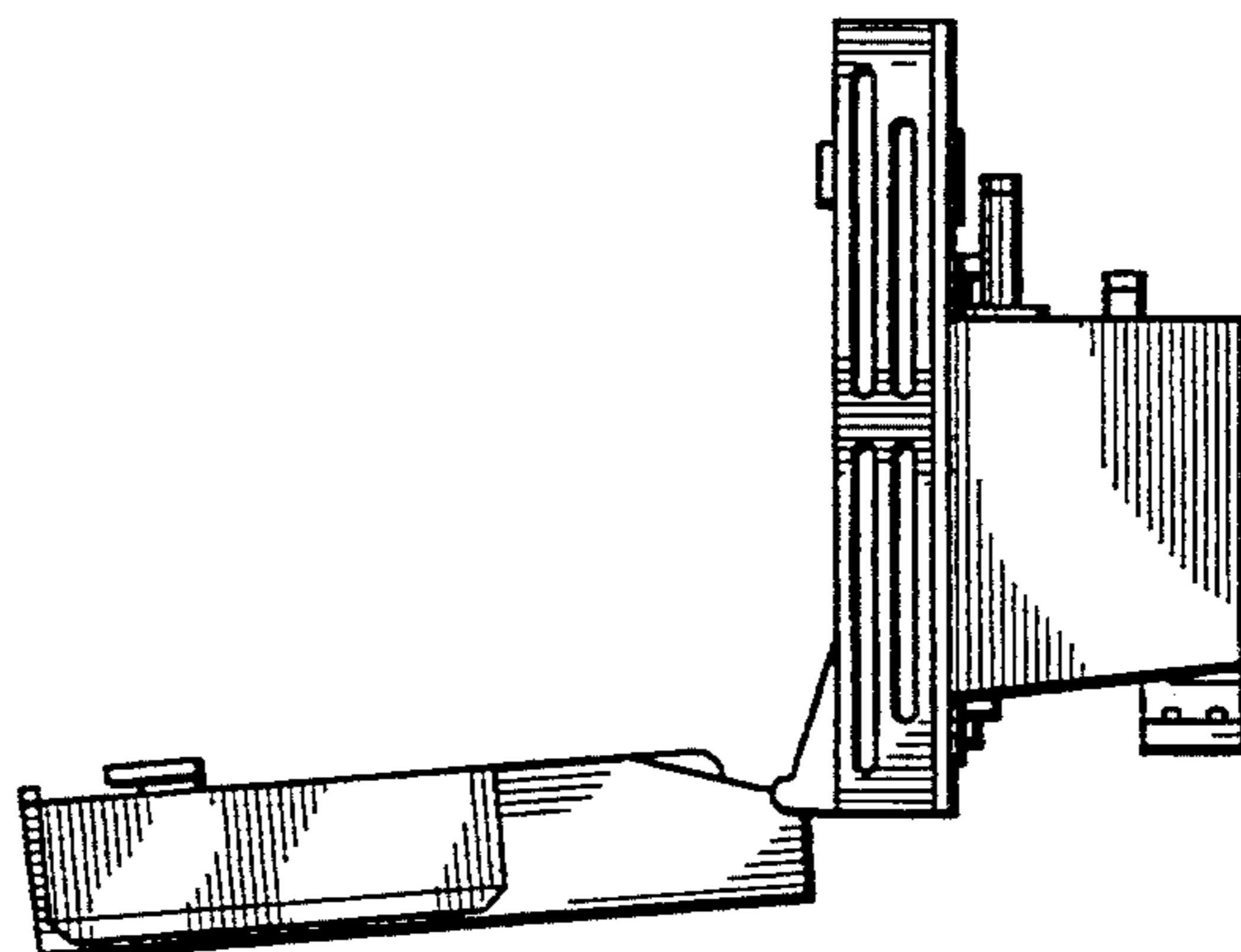


FIG. 11

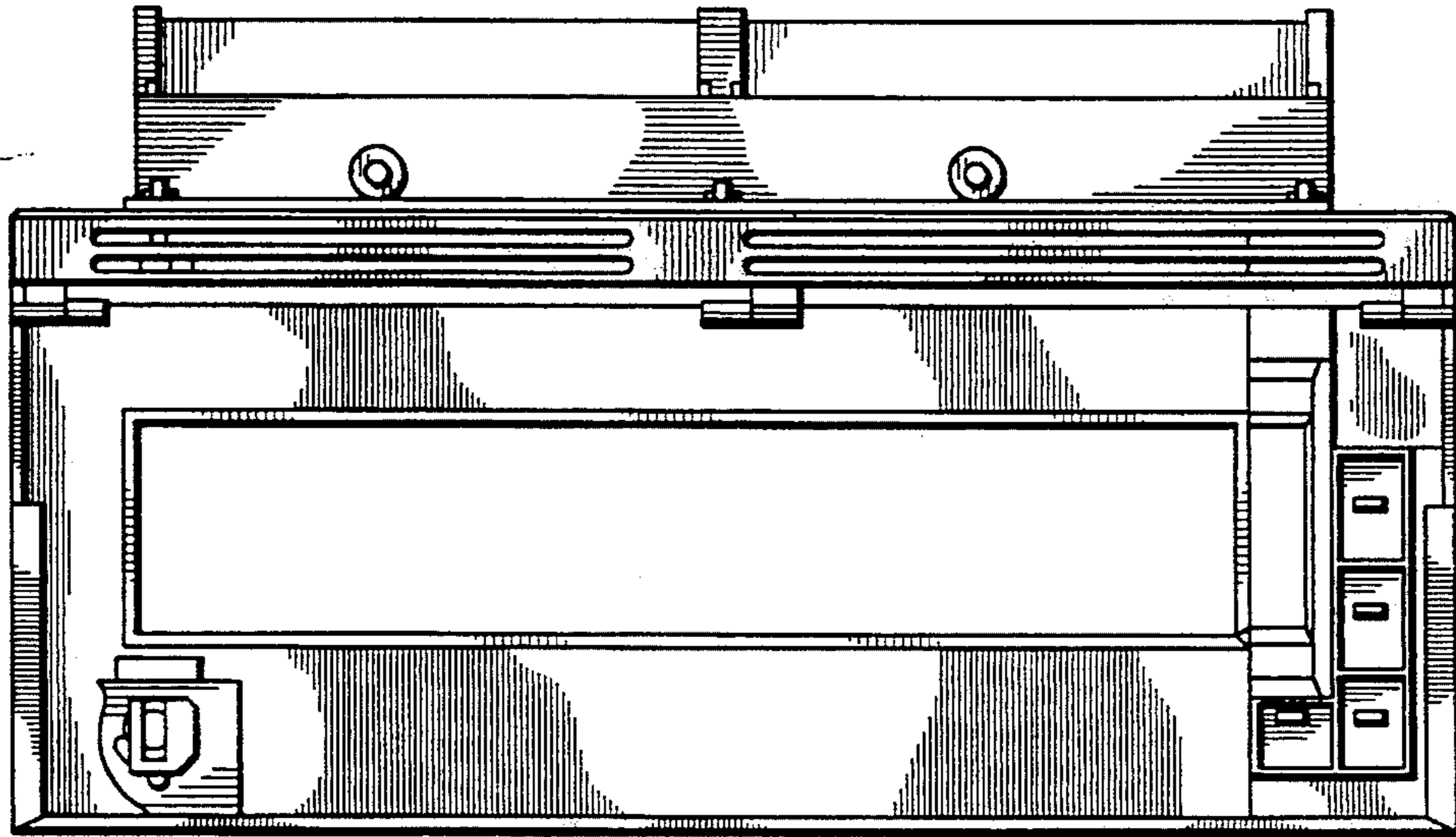


FIG. 12

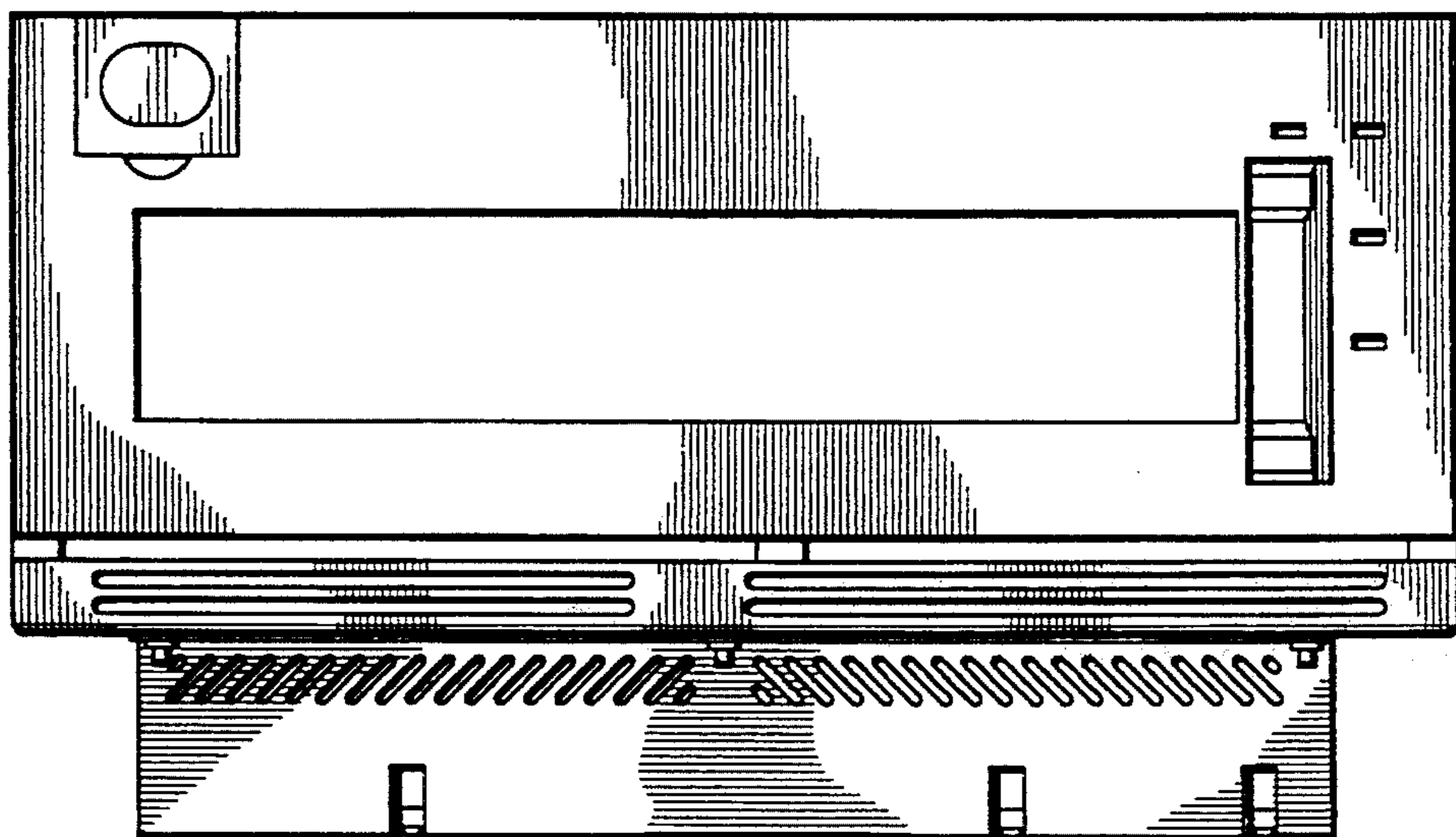


FIG. 13

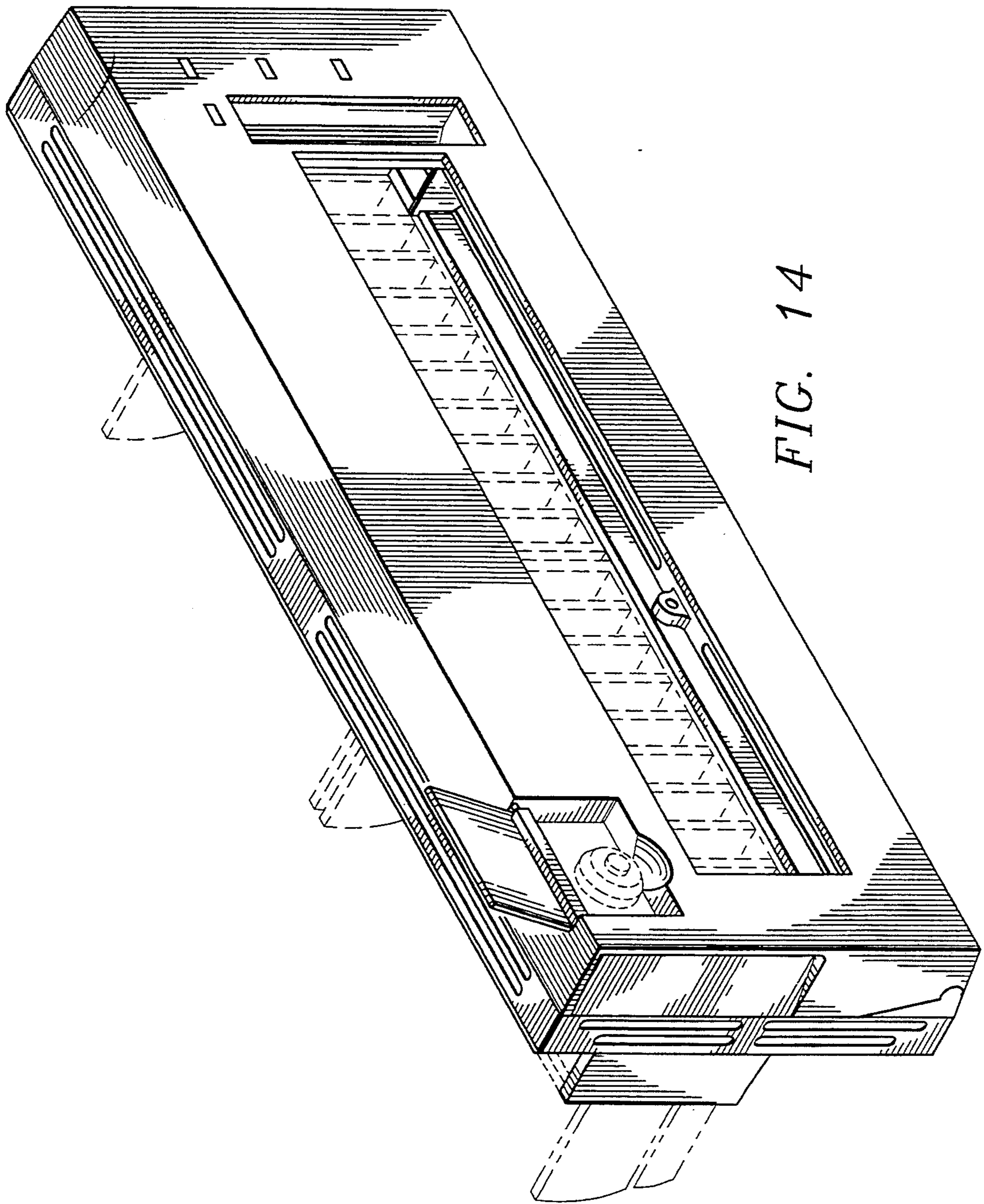


FIG. 14