



US00D362246S

United States Patent [19]

[11] Patent Number: **Des. 362,246**

Evenson et al.

[45] Date of Patent: **** Sep. 12, 1995**

[54] **MONITOR STAND**

[75] Inventors: **Mel Evenson**, Rancho Palos Verdes;
Jerry L. Sharber, Cypress, both of Calif.

[73] Assignee: **Rubbermaid Office Products Inc.**,
Maryville, Tenn.

[**] Term: **14 Years**

[21] Appl. No.: **31,410**

[22] Filed: **Nov. 25, 1994**

[52] U.S. Cl. **D14/114**

[58] Field of Search **D14/100, 114; D6/449,**
D6/491, 445, 396, 512, 495; 248/125, 127, 133,
178-179, 183, 188.1, 188.2, 346, 371, 395,
917-924; 200/5 R, 5 A, 6 R, 6 A; 361/679-686;
D13/184, 199

[56] **References Cited**

U.S. PATENT DOCUMENTS

D. 250,380	11/1978	Verdesca et al.	D6/177
D. 258,789	4/1981	Verdesca	D6/179
D. 282,847	3/1986	Heltinga	D14/114
D. 287,365	12/1986	Judd	D14/114
D. 305,330	1/1990	Walters, II et al.	D14/114
D. 316,709	5/1991	Howard et al.	D14/114
D. 330,021	10/1992	Kline et al.	D14/114
D. 334,921	4/1993	Basara et al.	D14/114
4,313,112	1/1982	Foster	340/700
4,515,086	5/1986	Kwiecinski et al.	108/96
4,619,427	10/1986	Leymann	248/178
4,657,214	4/1987	Foster	248/176
5,322,025	6/1994	Sherman et al.	108/147

OTHER PUBLICATIONS

P. 8, Monitor stand; Global Computer Supplies, 9139

Hemlock Drive, Hempstead, N.Y. 11550. Publication date Jul. 1984.

Pp. 143, 144, 147, 148 and 156, Monitor stands; Global Computer Supplies, 2318 East Del Amo Blvd., Dept. 31, Compton, Calif. 90220. Publication date Jan., 1992. Catalog page, Adjustable monitor shelf; Inmac, 2465 Augustine Drive, P.O. Box 58031, Santa Clara, Calif. 95052-8031. Publication date Winter/Spring 1992.

P. 77, CRT hand; Global Computer Supplies, 9139 Hemlock Drive, Hempstead, N.Y. 11550. Publication date Apr. 1992.

Pp. 8 and 9, Keyboard space savers; Curtis Manufacturing Company, Inc., 30 Fitzgerald Dr., Jaffrey, N.H. 03452-1931. Publication date Jan., 1993.

Catalog page, Monitor stands; Ergonomic Logic, Inc., 205 Vista Blvd., #101 Sparks, Nev. 89434. Publication date Sep., 1992.

Catalog page, Keyboard shelf; Kensington Microware Limited, address unknown. Publication date 1992.

Pp. 7 and 8, Monitor Stands, MicroComputer Accessories Inc., 405 Jandy Place., P.O. Box 66911, Los Angeles, Calif. 90066. Publication date 1993.

Primary Examiner—Melanie H. Tung

Attorney, Agent, or Firm—Richard B. O'Planick; Lisa B. Riedesel

[57] **CLAIM**

The ornamental design for a monitor stand, as shown and described.

DESCRIPTION

FIG. 1 is a top, left, front perspective view of a monitor stand showing our new design, on a reduced scale;

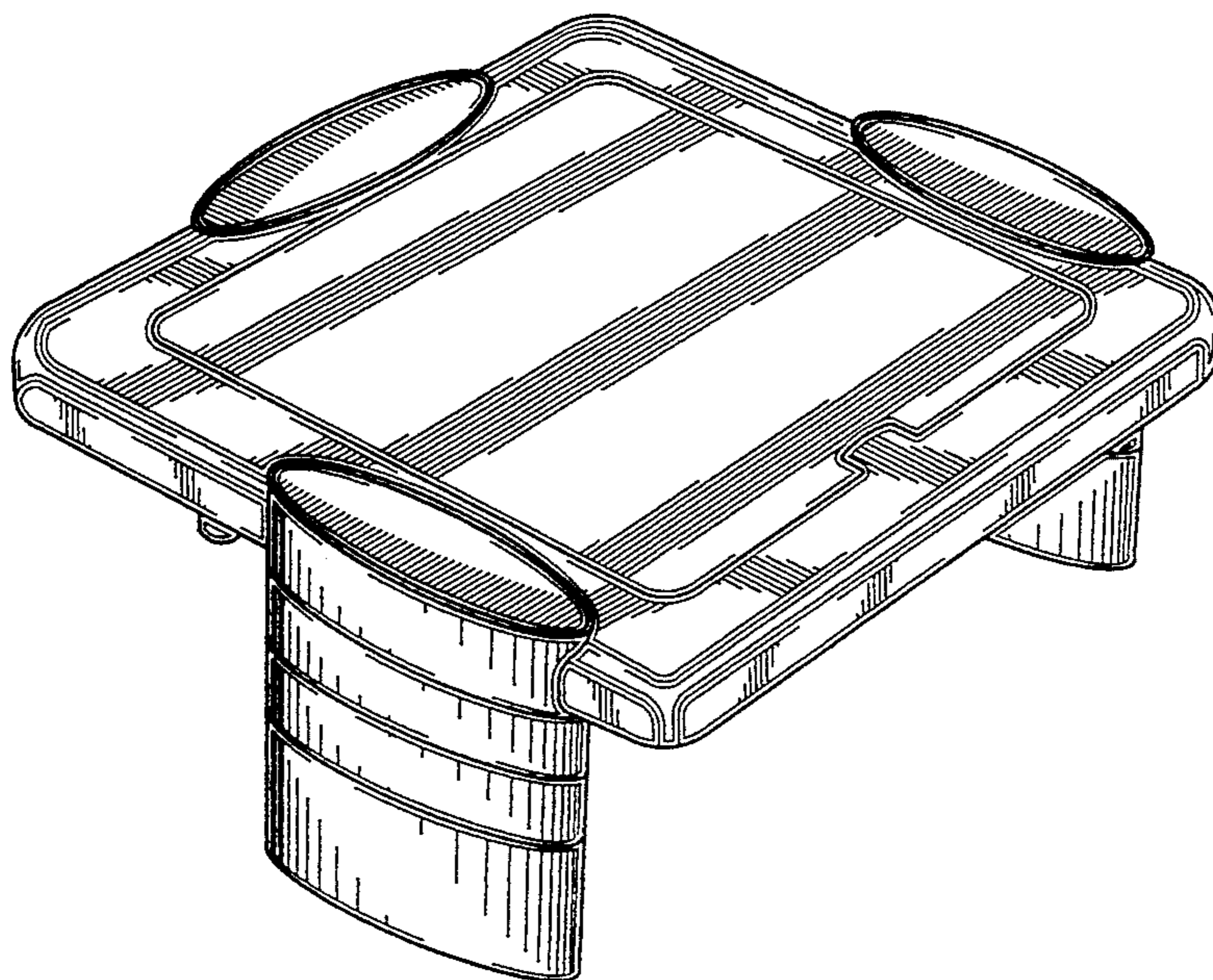
FIG. 2 is a top plan view thereof;

FIG. 3 is a left side elevational view thereof; the right side elevational view being a mirror image;

FIG. 4 is a front elevational view thereof;

FIG. 5 is a rear elevational view thereof; and,

FIG. 6 is a bottom plan view thereof.



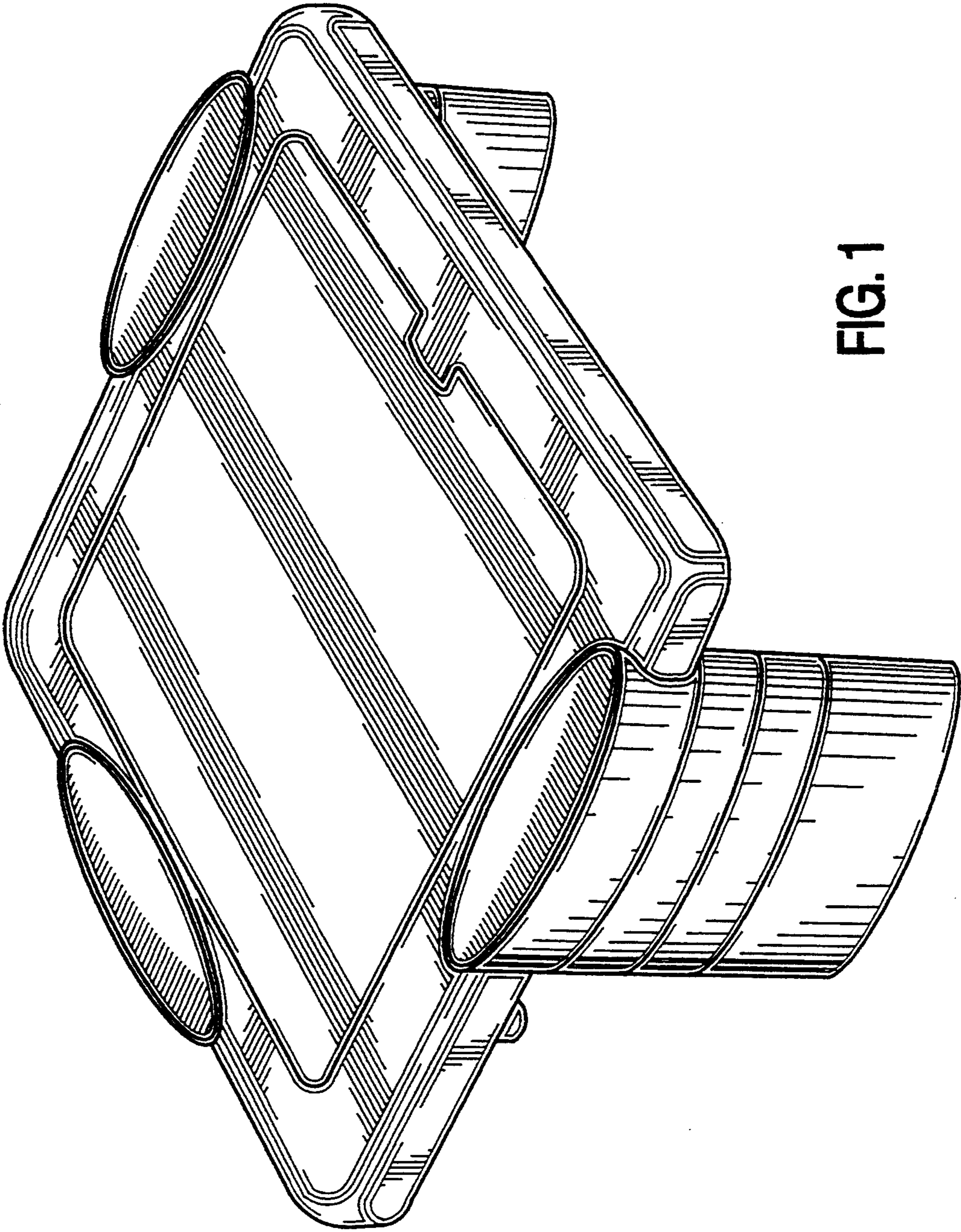


FIG. 1

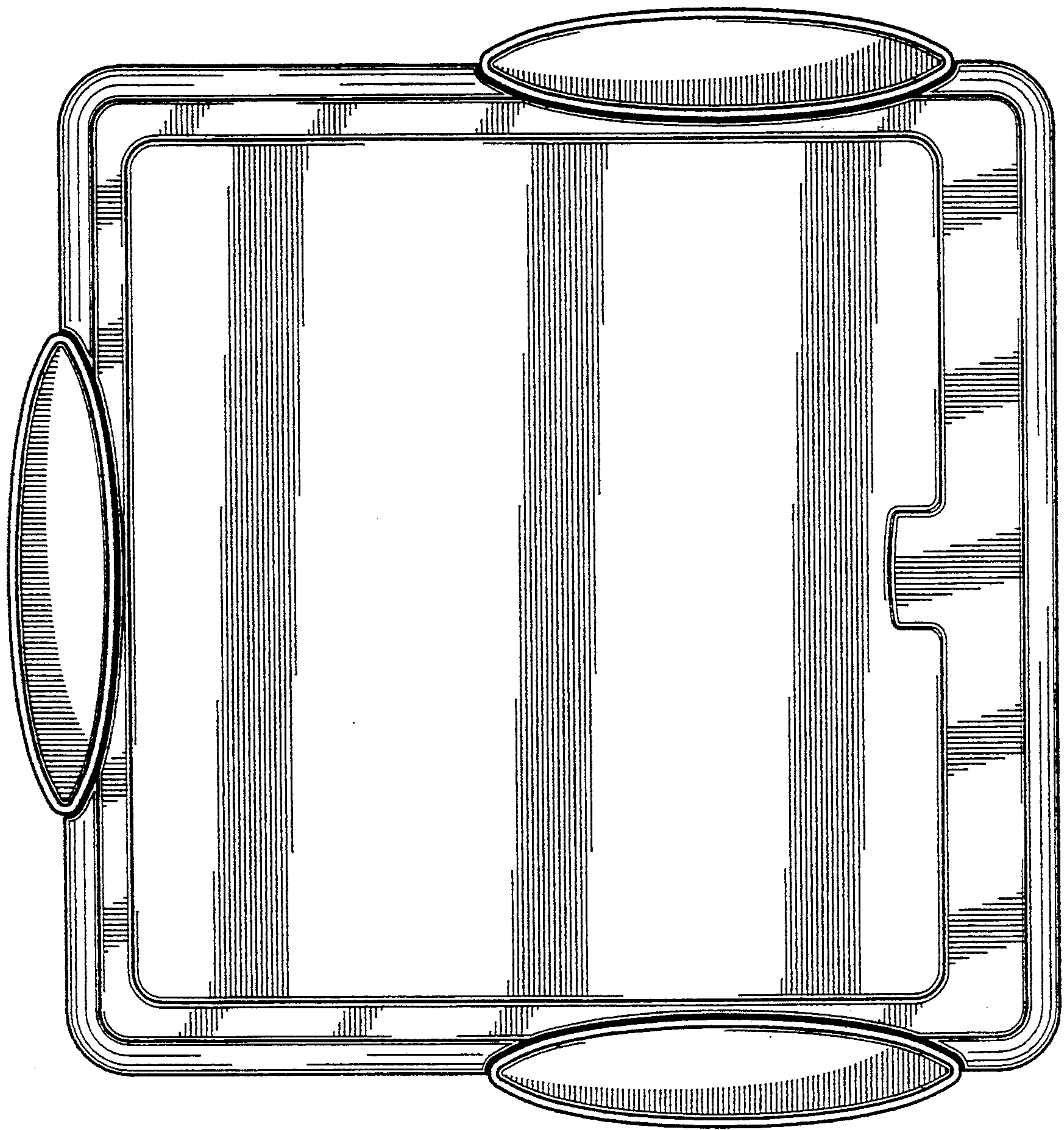


FIG. 2

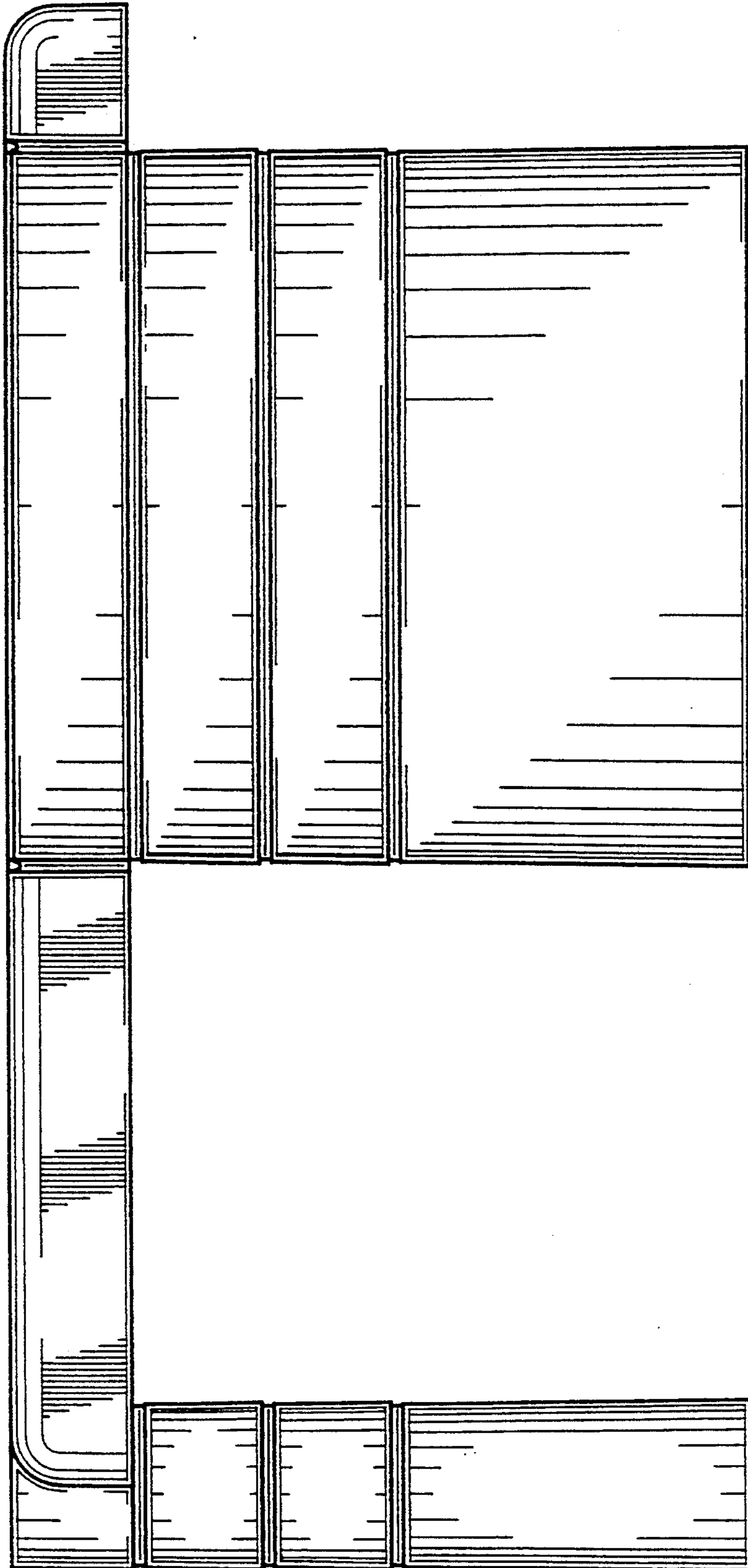


FIG. 3

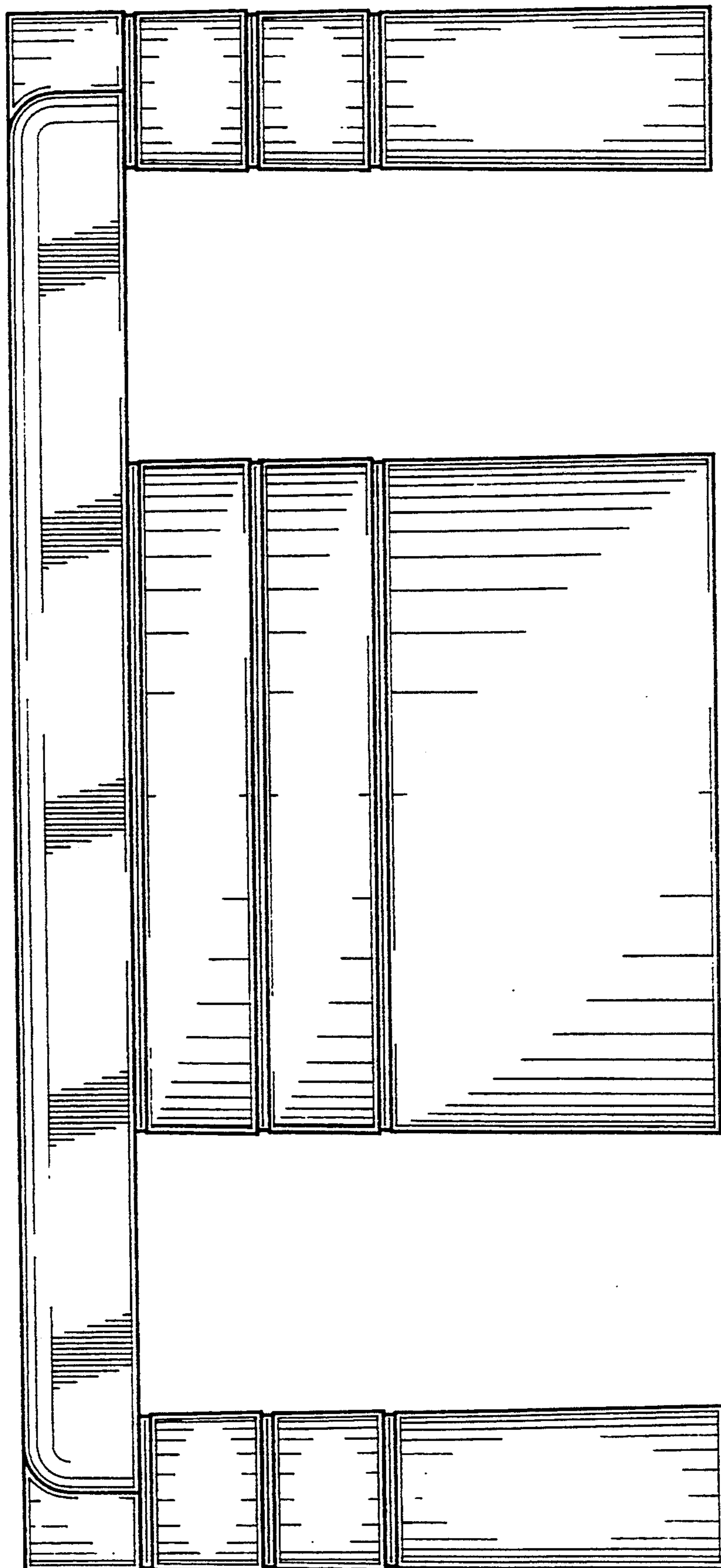


FIG. 4

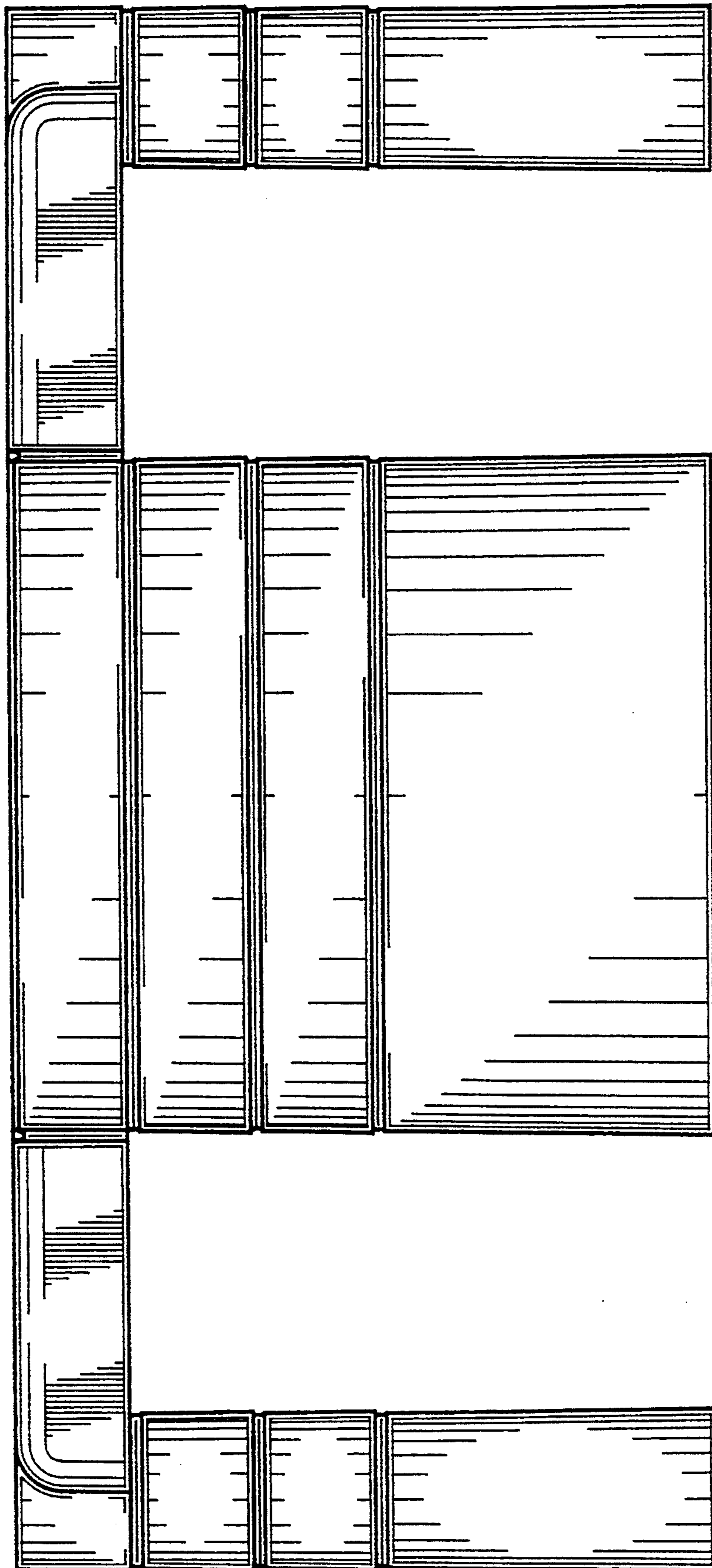


FIG. 5

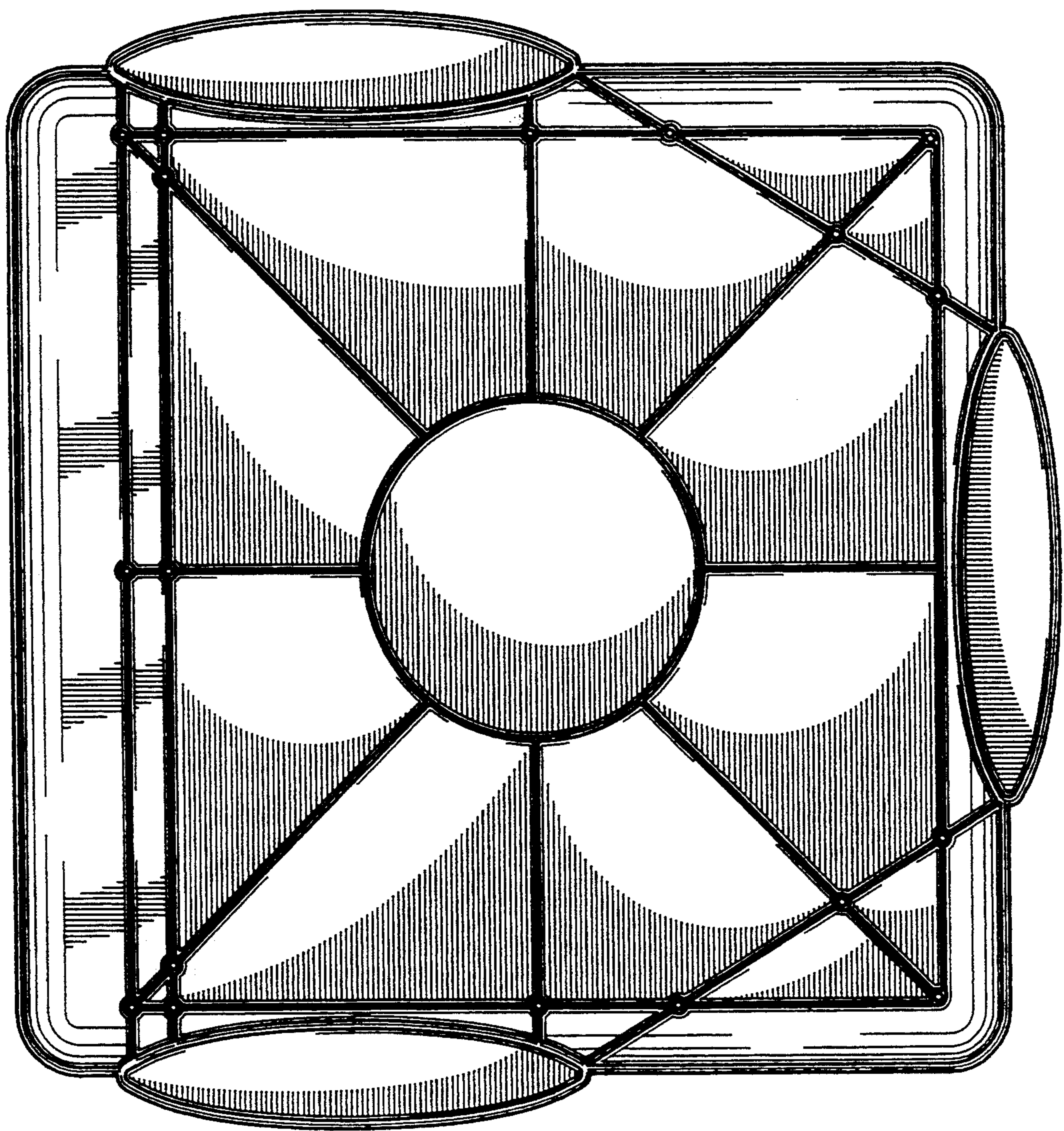


FIG. 6