



US00D362245S

**United States Patent** [19]  
**Moffatt**

[11] **Patent Number: Des. 362,245**  
[45] **Date of Patent: \*\* Sep. 12, 1995**

[54] **PERSONAL COMPUTER STAND**  
[75] **Inventor: Susan S. Moffatt, Boca Raton, Fla.**  
[73] **Assignee: International Business Machines Corporation, Armonk, N.Y.**  
[\*\*] **Term: 14 Years**  
[21] **Appl. No.: 29,683**  
[22] **Filed: Oct. 13, 1994**  
[52] **U.S. Cl. .... D14/114**  
[58] **Field of Search ..... D14/100, 114; D6/449, D6/491, 445, 396, 511-512, 495; 248/125, 127, 133, 178-179, 183, 188.1, 188.2, 346, 371, 395, 917-924; 200/5 R, 5 A, 6 R, 6 A; 361/679-686; D13/184, 199**

5,192,046 3/1993 Howard ..... 248/918 X  
5,295,648 3/1994 Haines ..... 248/924 X

*Primary Examiner*—Melanie H. Tung  
*Attorney, Agent, or Firm*—Bernard D. Bogdon

[57] --- **CLAIM**

The ornamental design for a personal computer stand, as shown and described.

**DESCRIPTION**

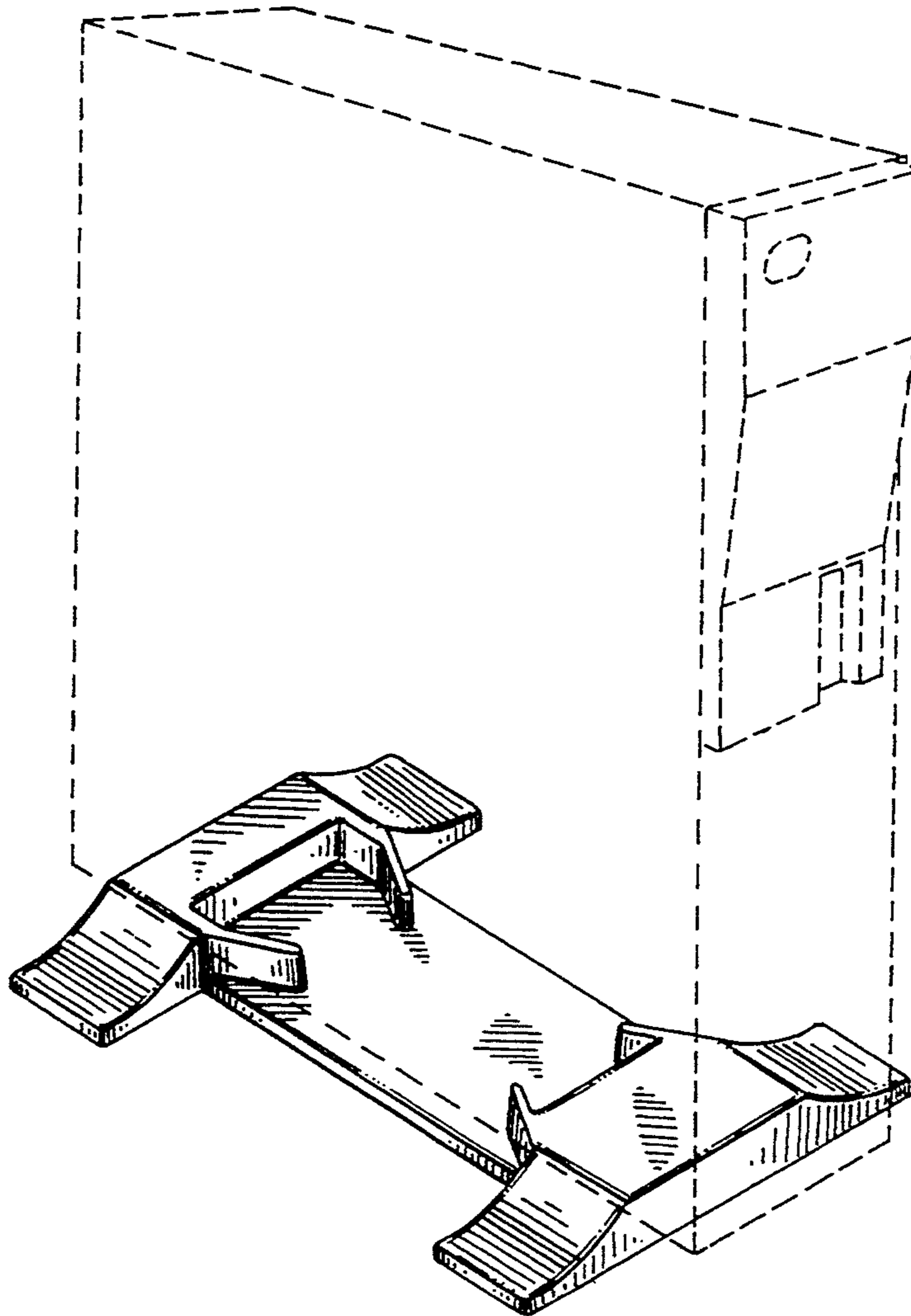
FIG. 1 is a right side perspective view of a personal computer stand;  
FIG. 2 is a left side reduced perspective view thereof;  
FIG. 3 is a front elevational view thereof;  
FIG. 4 is a back elevational view thereof;  
FIG. 5 is a right side elevational view thereof;  
FIG. 6 is a left side elevational view thereof; and,  
FIG. 7 is a top plan view thereof.

The bottom view is plain and unornamented.

A personal computer is shown in broken lines in FIG. 2 for illustrative purposes only and forms no part of the claimed design.

[56] **References Cited**  
**U.S. PATENT DOCUMENTS**

D. 287,365 12/1986 Judd ..... D14/114  
D. 327,383 6/1992 Lam ..... D6/449 X  
4,368,867 1/1983 Pendleton et al. .... 248/923 X



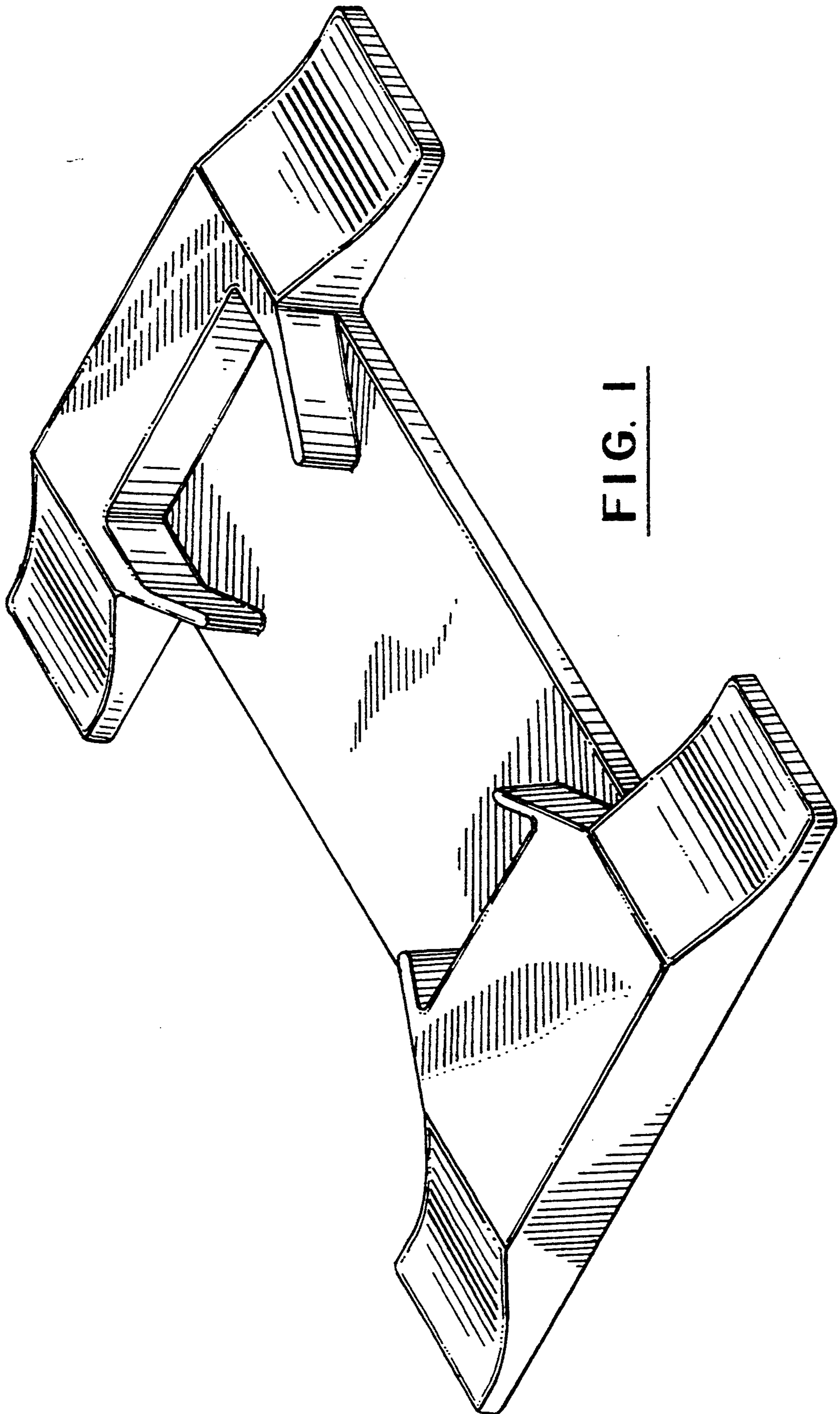


FIG. 1

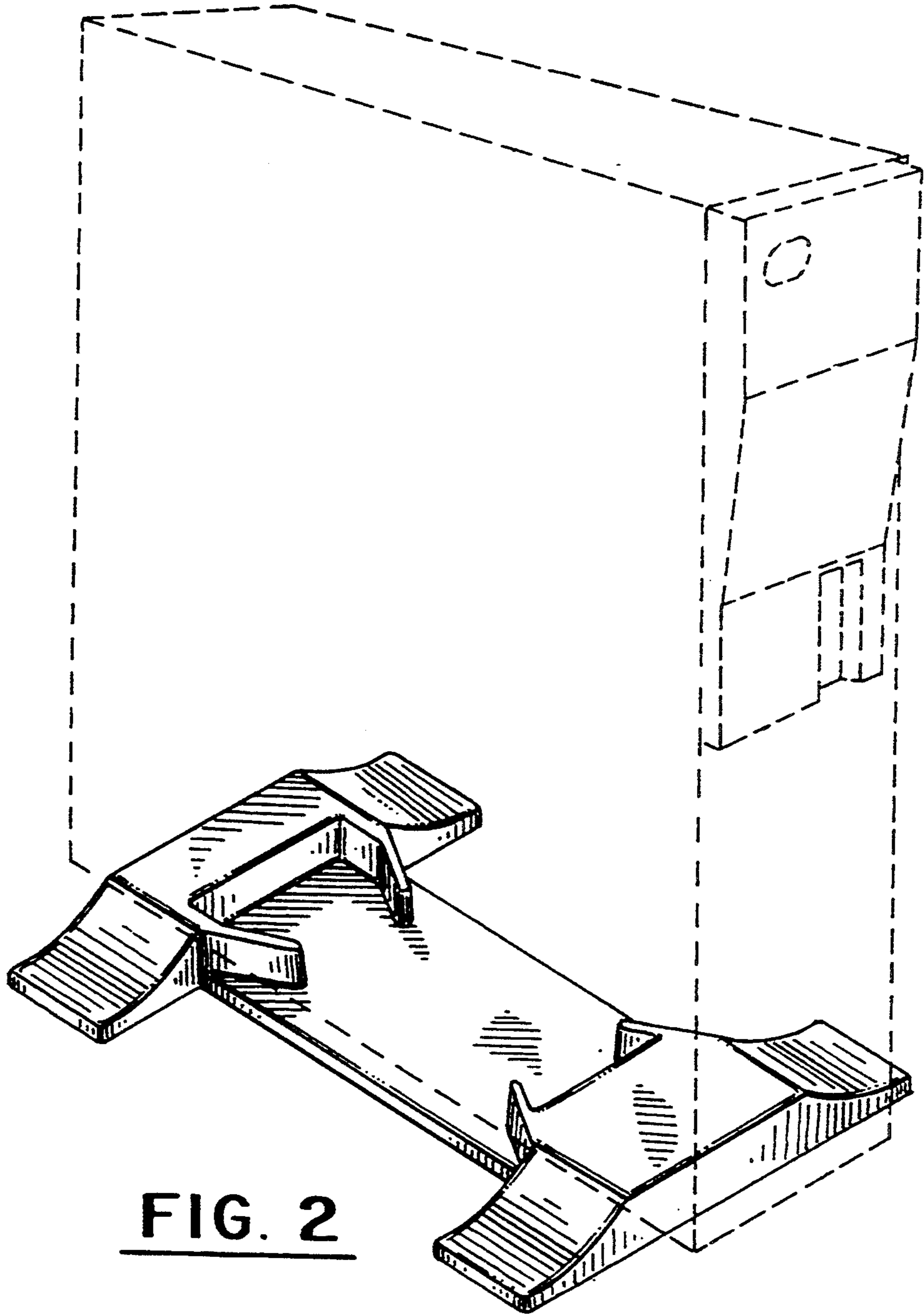


FIG. 2

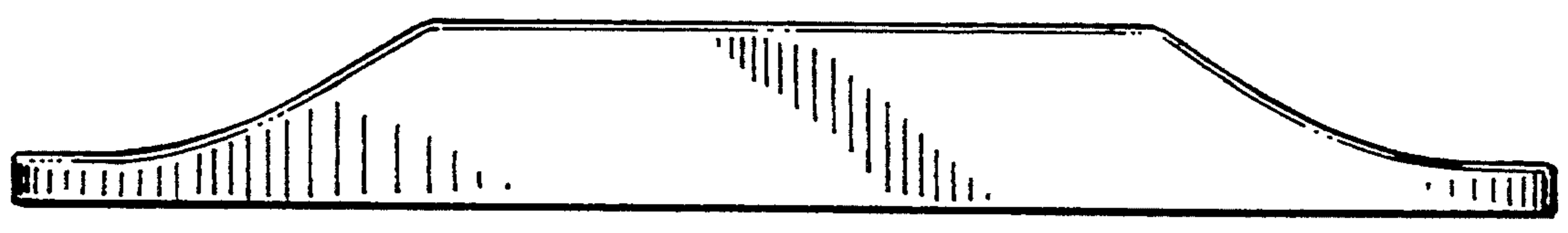


FIG. 3

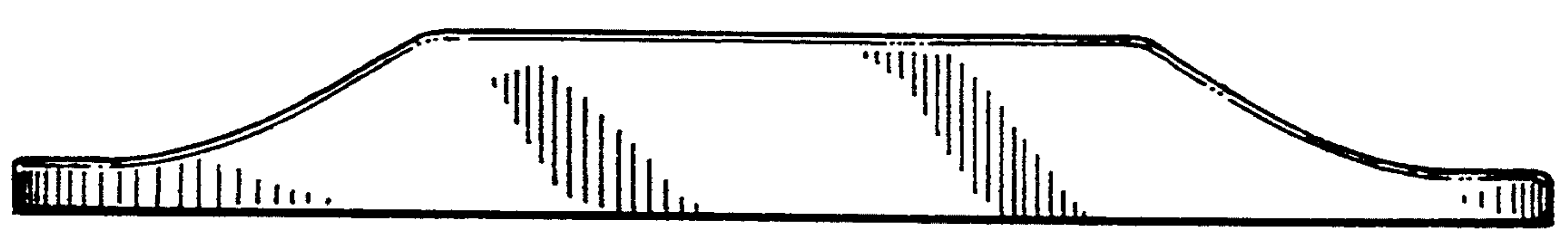


FIG. 4

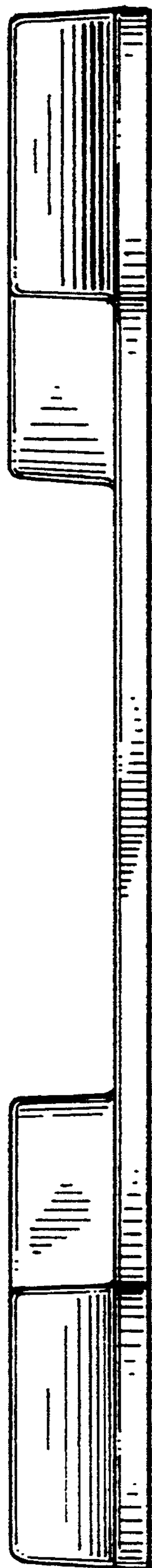


FIG. 5



FIG. 6

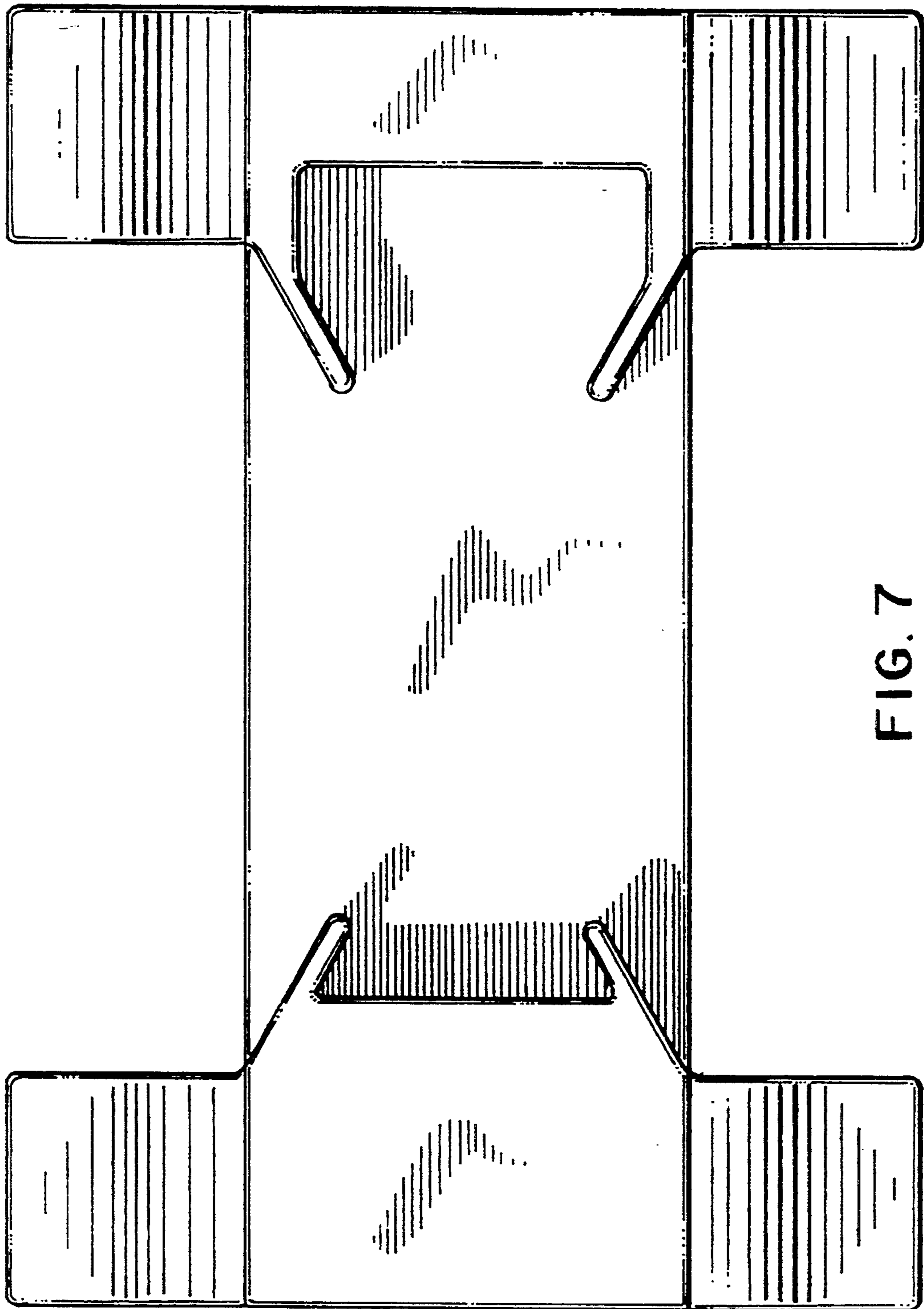


FIG. 7