



US00D362239S

# United States Patent [19]

[11] Patent Number: **Des. 362,239**

Je

[45] Date of Patent: **\*\* Sep. 12, 1995**

[54] **POINT OF SALE TERMINAL**

[75] Inventor: **Patrick N. M. Je**, Singapore, Singapore

[73] Assignee: **IPC Corporation Ltd.**, Singapore, Singapore

[\*\*] Term: **14 Years**

[21] Appl. No.: **8,125**

[22] Filed: **May 10, 1993**

[30] **Foreign Application Priority Data**

Nov. 10, 1992 [GB] United Kingdom ..... 2026991

[52] U.S. Cl. .... **D14/105; D18/4**

[58] Field of Search ..... D18/4, 7; D14/100, 105; 364/404, 405

[56] **References Cited**

**U.S. PATENT DOCUMENTS**

- D. 230,857 3/1974 Lampel ..... D18/7
- D. 268,934 5/1983 Walton ..... D18/7 X
- D. 330,722 11/1992 Je ..... D18/4

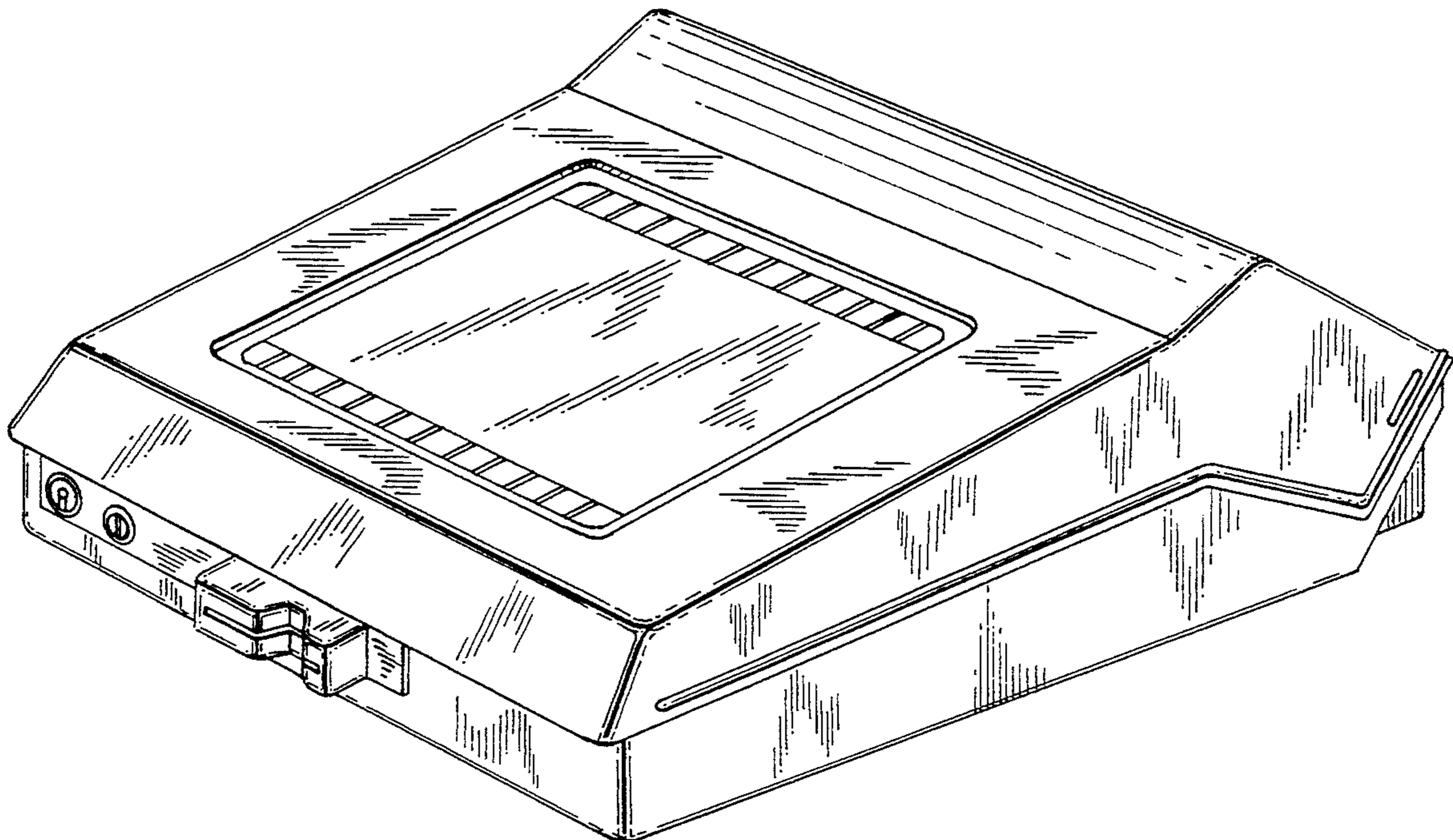
*Primary Examiner*—Alan P. Douglas  
*Assistant Examiner*—Caron D. Veynar  
*Attorney, Agent, or Firm*—Finnegan, Henderson, Farabow, Garrett & Dunner

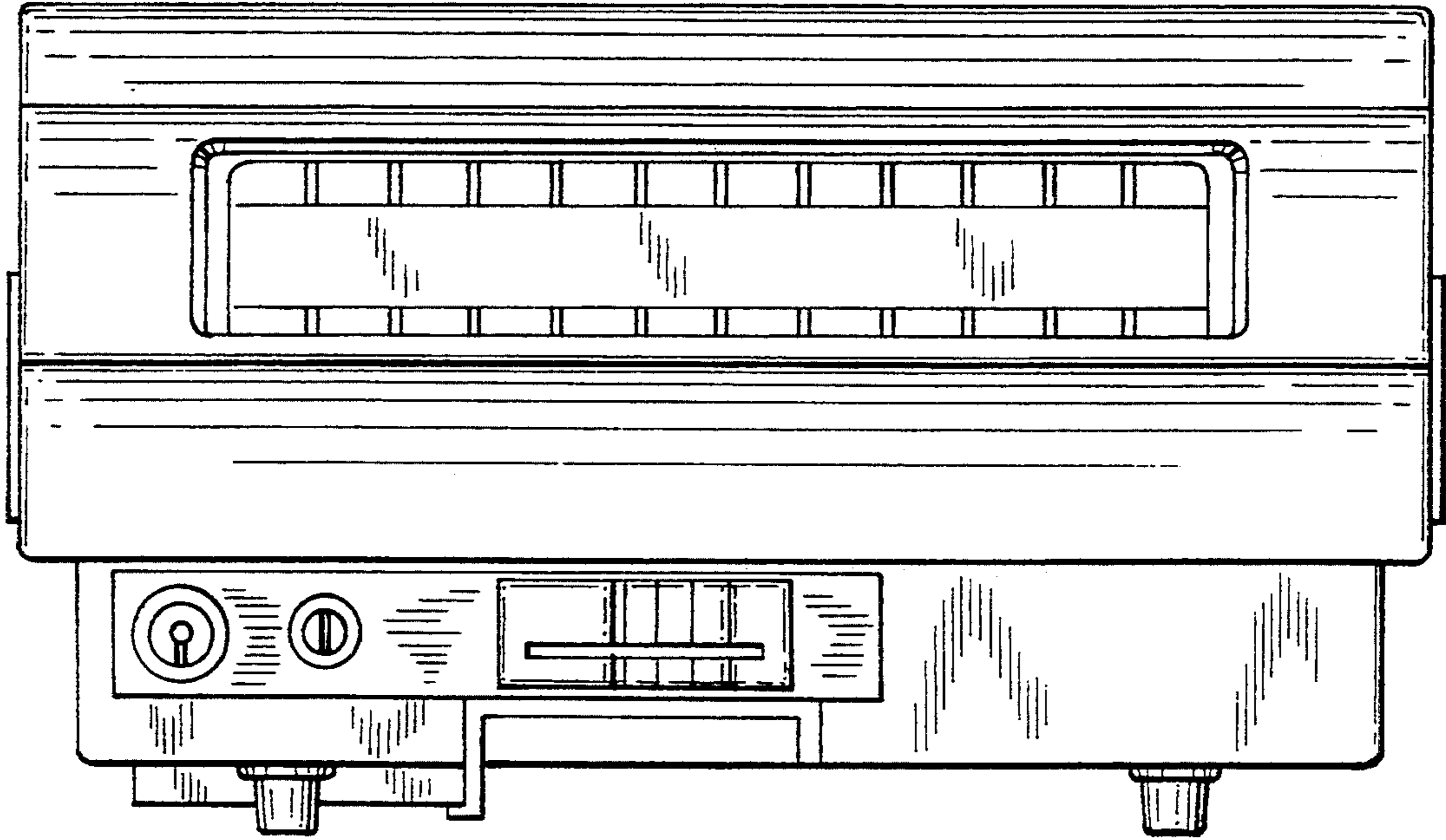
[57] **CLAIM**

The ornamental design for a point of sale terminal, as shown and described.

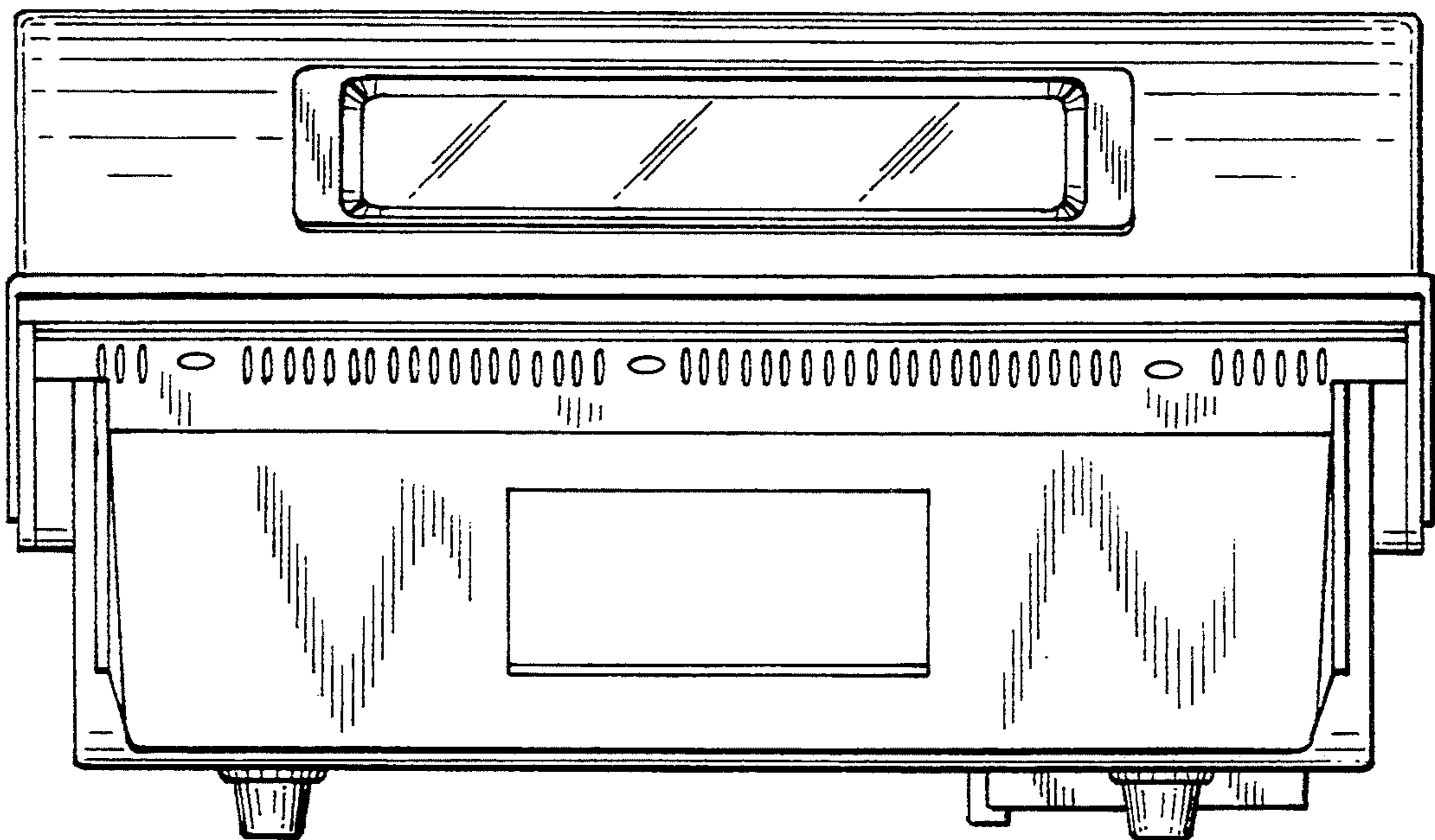
**DESCRIPTION**

FIG. 1 is a front elevational view of a point of sale terminal showing my new design;  
 FIG. 2 is a rear elevational view thereof;  
 FIG. 3 is a front perspective view thereof;  
 FIG. 4 is right side elevational view thereof, the left side being a mirror image thereof;  
 FIG. 5 is a top plan view thereof;  
 FIG. 6 is a bottom plan view thereof;  
 FIG. 7 is a rear elevational view of a second embodiment of my claimed design; and,  
 FIG. 8 is a bottom plan view thereof, the front, sides and top plan views being identical to FIGS. 1, 3, 4, and 5.





*FIG. 1*



*FIG. 2*

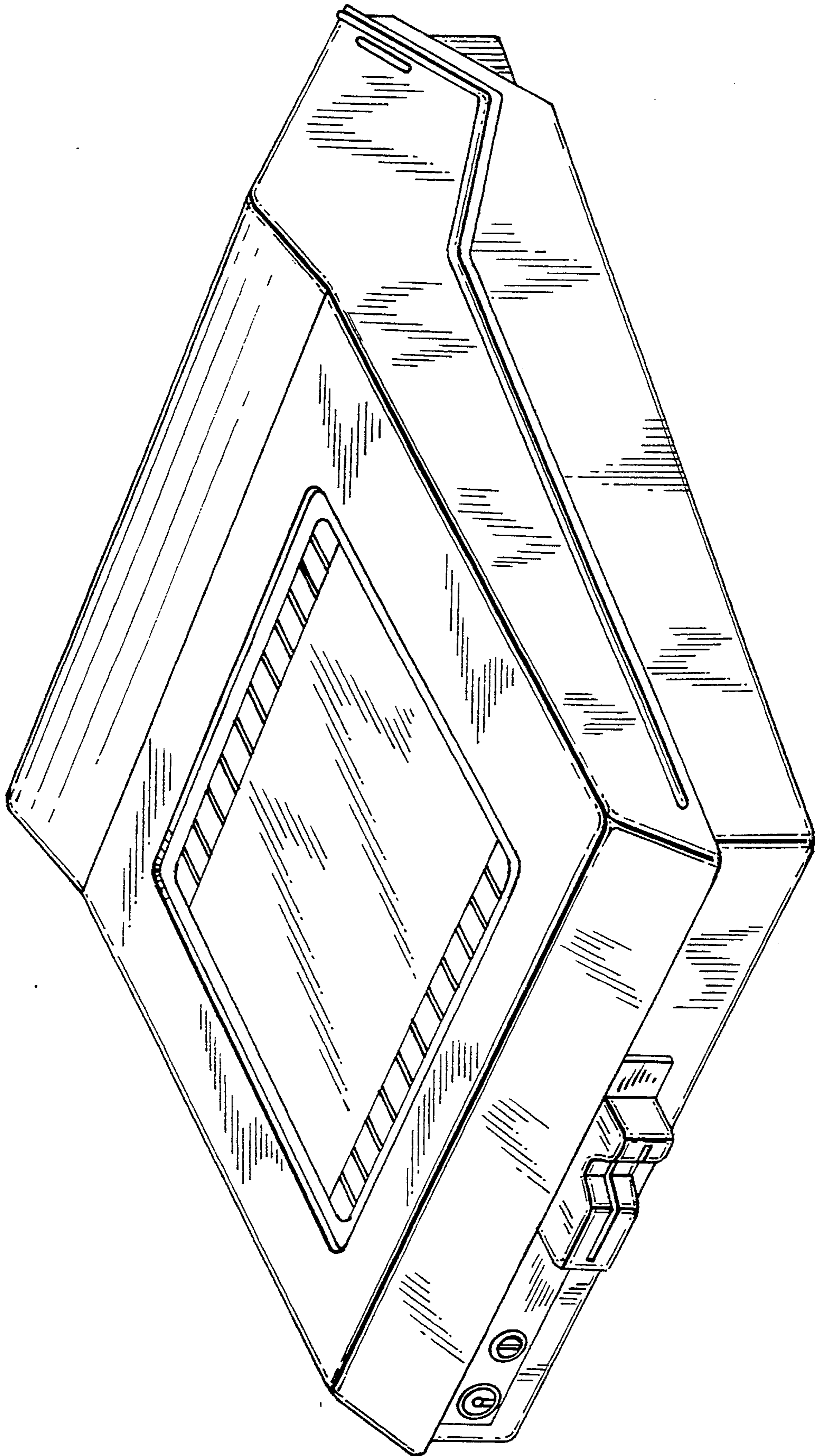


FIG. 3

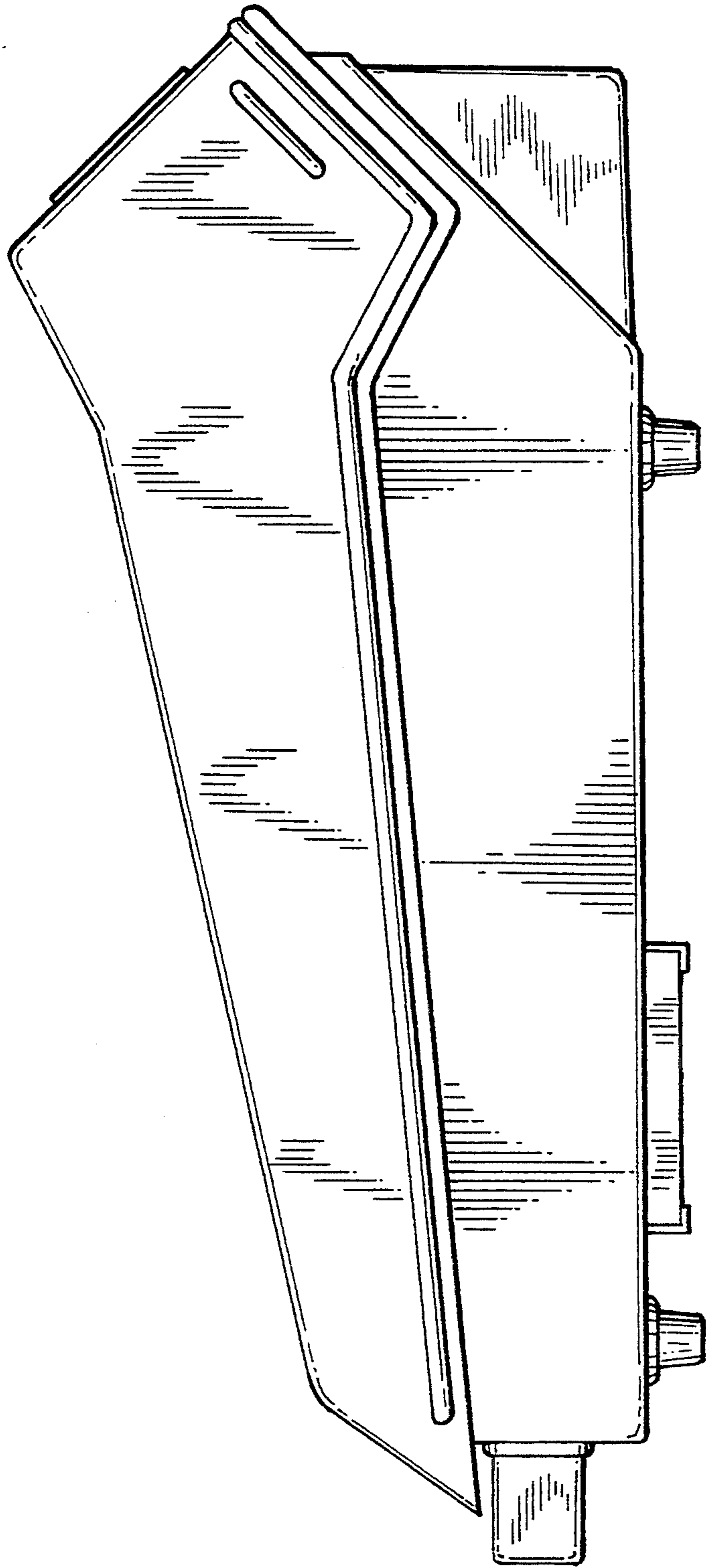


FIG. 4

FIG. 5

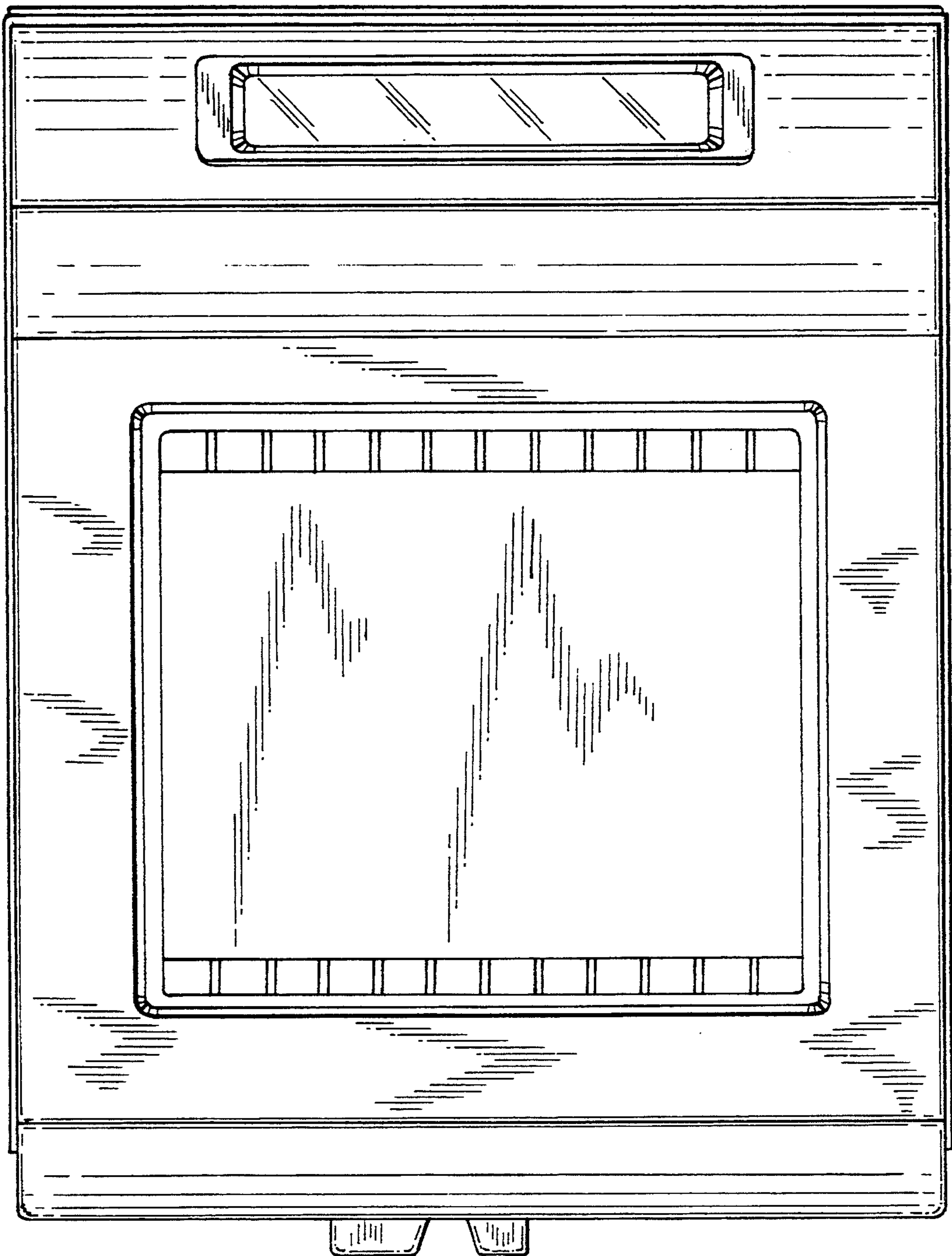
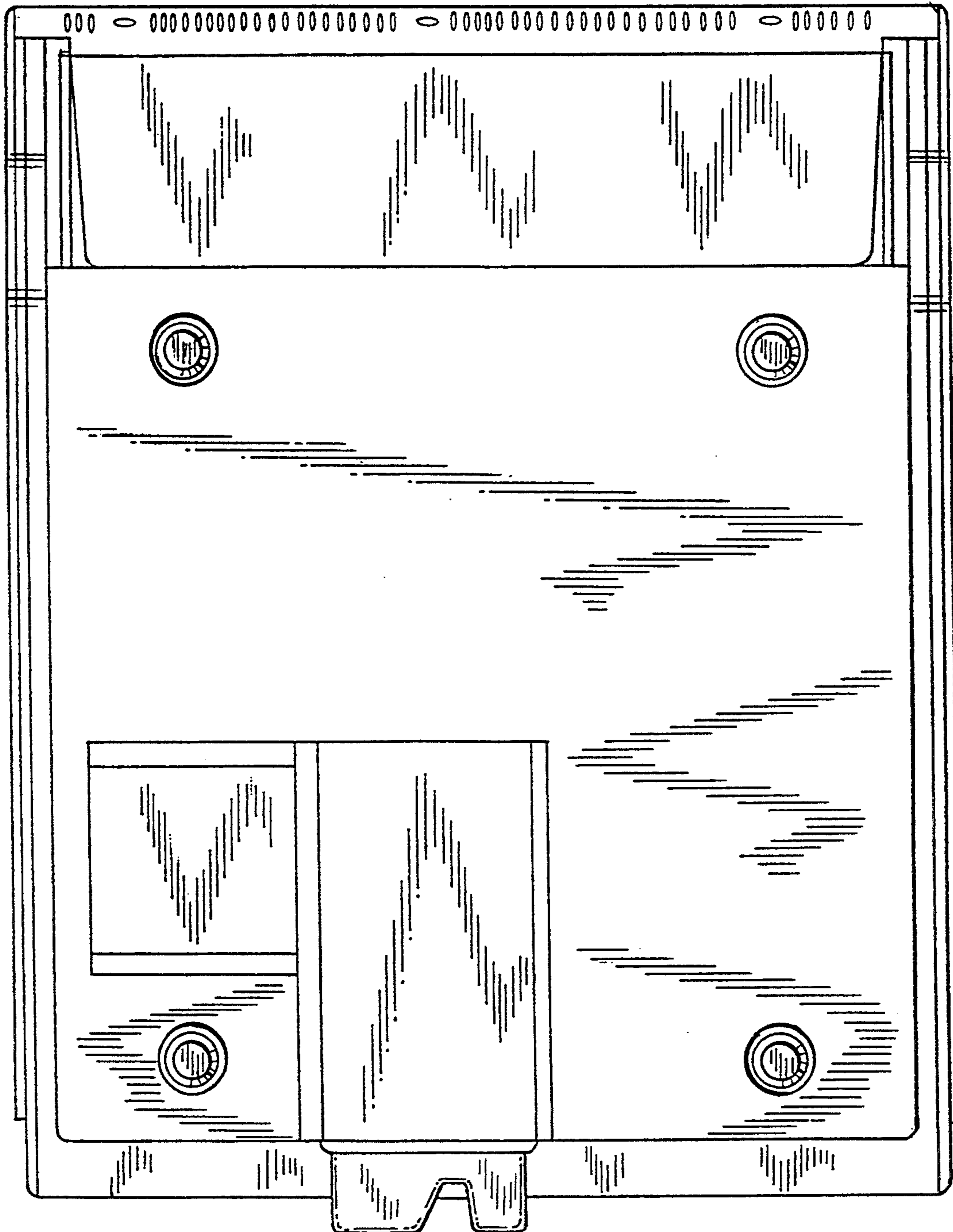
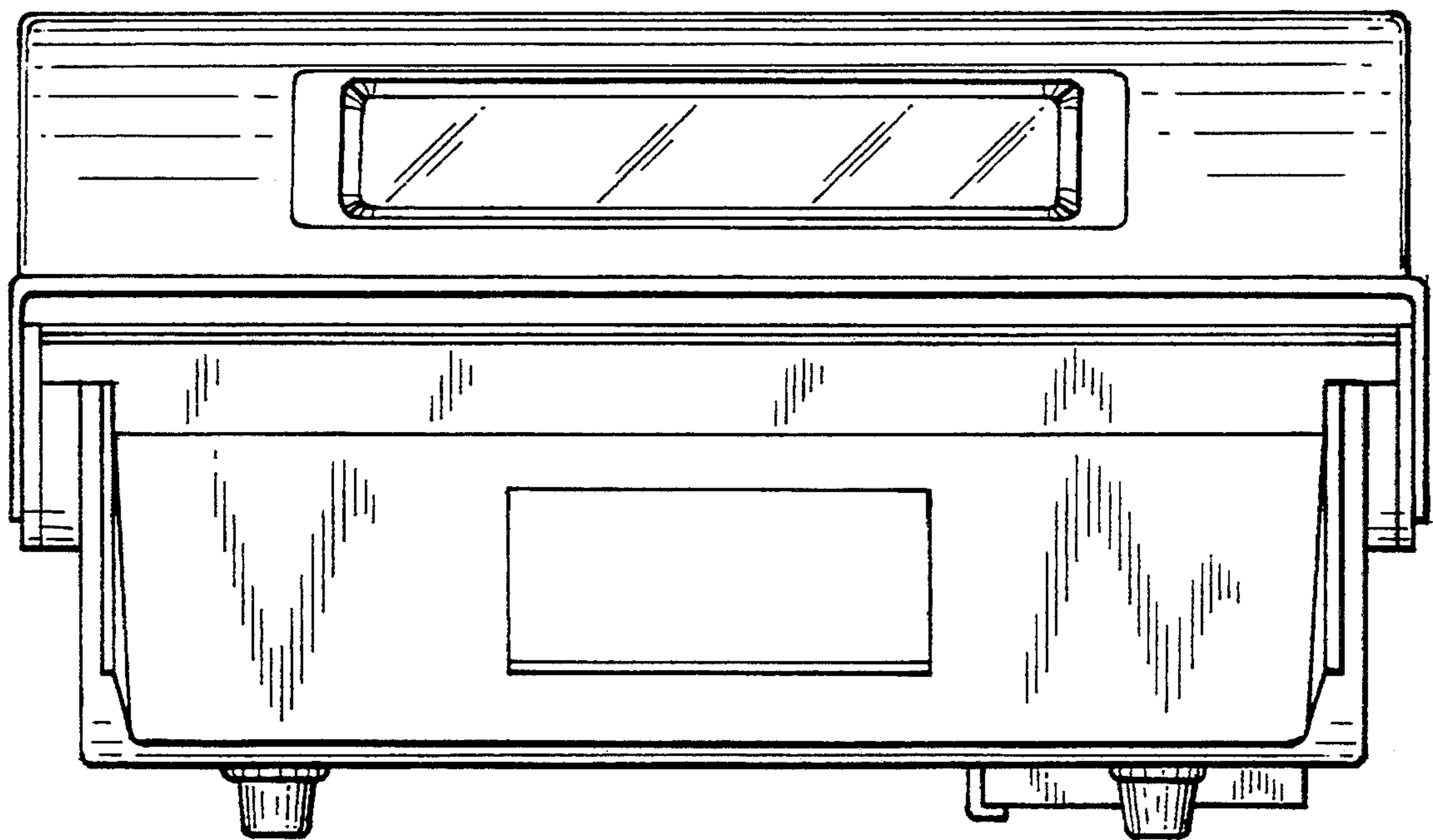


FIG. 6





*FIG. 7*

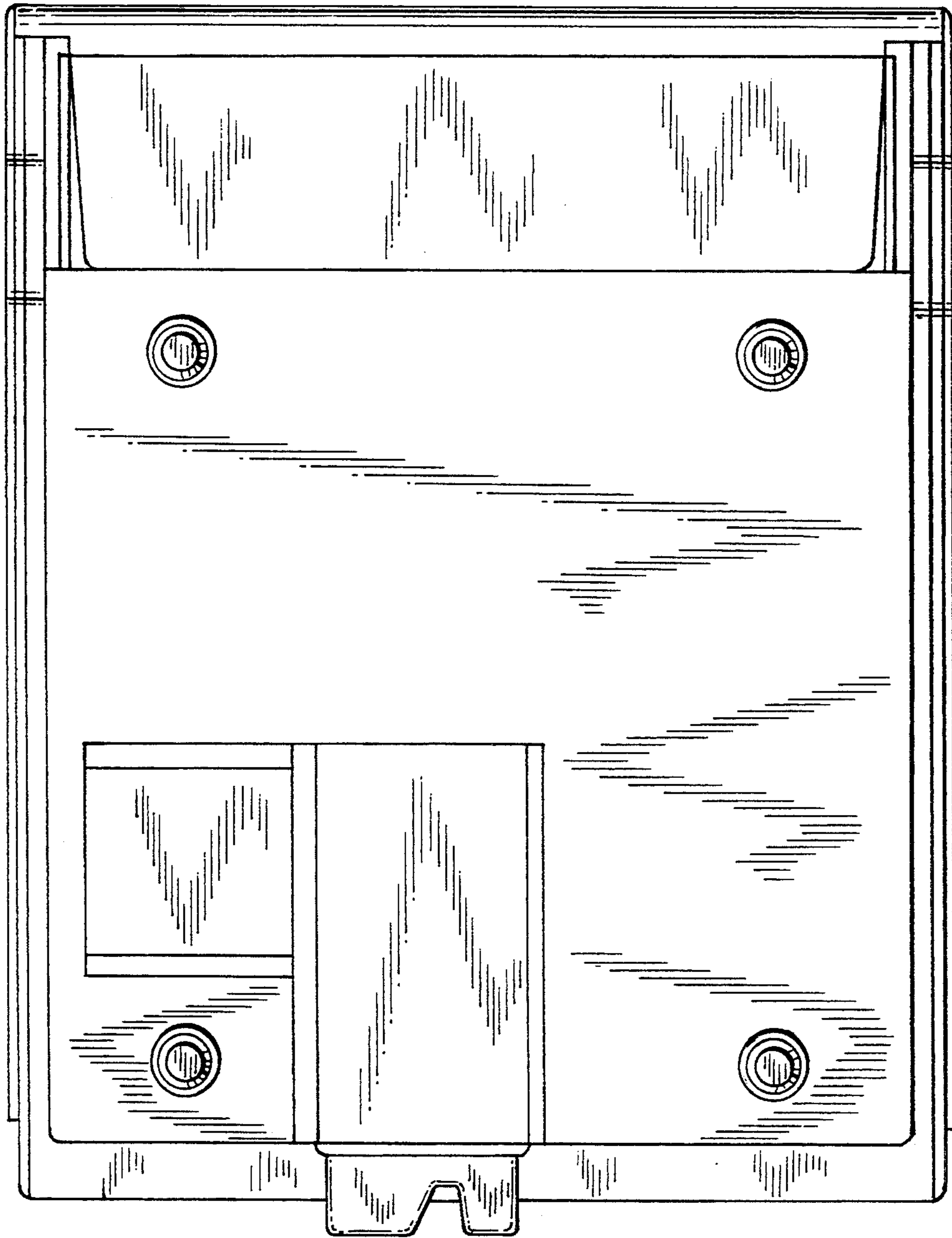


FIG. 8